



US00D630613S

(12) **United States Design Patent**
Kondo et al.

(10) **Patent No.:** **US D630,613 S**

(45) **Date of Patent:** **** Jan. 11, 2011**

(54) **TUNER**

(75) Inventors: **Naoto Kondo**, Tama (JP); **Satoshi Sato**, Tama (JP)

(73) Assignee: **Mitsumi Electric Co., Ltd**, Tokyo (JP)

(**) Term: **14 Years**

(21) Appl. No.: **29/350,794**

(22) Filed: **Nov. 24, 2009**

(30) **Foreign Application Priority Data**

May 26, 2009 (JP) 2009-011655

(51) **LOC (9) Cl.** **14-03**

(52) **U.S. Cl.** **D14/188**

(58) **Field of Classification Search** D14/168,
D14/169, 188, 189, 193–198, 217, 265, 496;
455/344–351, 100, 128; 381/351, 386; D13/133,
D13/147

See application file for complete search history.

(56) **References Cited**

U.S. PATENT DOCUMENTS

D475,988 S * 6/2003 Otani et al. D14/188
D518,815 S * 4/2006 Otani D14/188
D533,508 S * 12/2006 Suzuki et al. D13/147
D556,734 S * 12/2007 Otani D14/188
D591,683 S * 5/2009 Suzuki et al. D13/147

D593,992 S * 6/2009 Takeo D14/188
D597,950 S * 8/2009 Suzuki et al. D13/147
D598,860 S * 8/2009 Nishio et al. D13/147
D604,706 S * 11/2009 Sato et al. D14/125
D613,264 S * 4/2010 Sugiyama et al. D14/188
2005/0162242 A1 * 7/2005 Ootori et al. 334/85

* cited by examiner

Primary Examiner—Stella M Reid

Assistant Examiner—Keli L Hill

(74) *Attorney, Agent, or Firm*—Sughrue Mion, PLLC

(57) **CLAIM**

The ornamental design for a tuner, as shown and described.

DESCRIPTION

FIG. 1 is a perspective view of the front, left and bottom of a tuner showing our new design;

FIG. 2 is a front view thereof;

FIG. 3 is a rear view thereof;

FIG. 4 is a left side view thereof;

FIG. 5 is a right side view thereof;

FIG. 6 is a top plan view thereof; and,

FIG. 7 is a bottom view thereof.

The elements shown in broken lines are for illustrative purposes only and form no part of the claimed design.

1 Claim, 5 Drawing Sheets

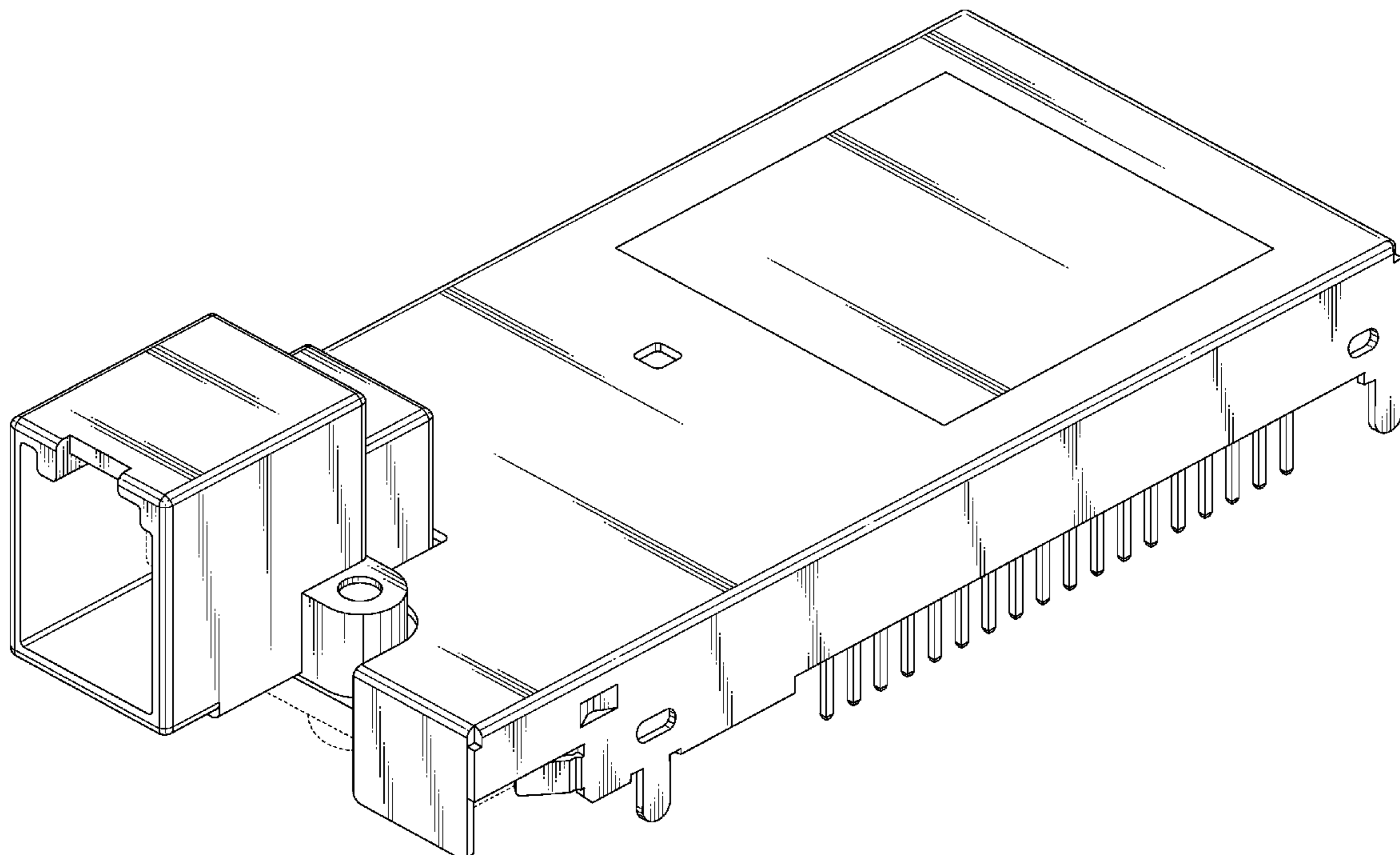


FIG.1

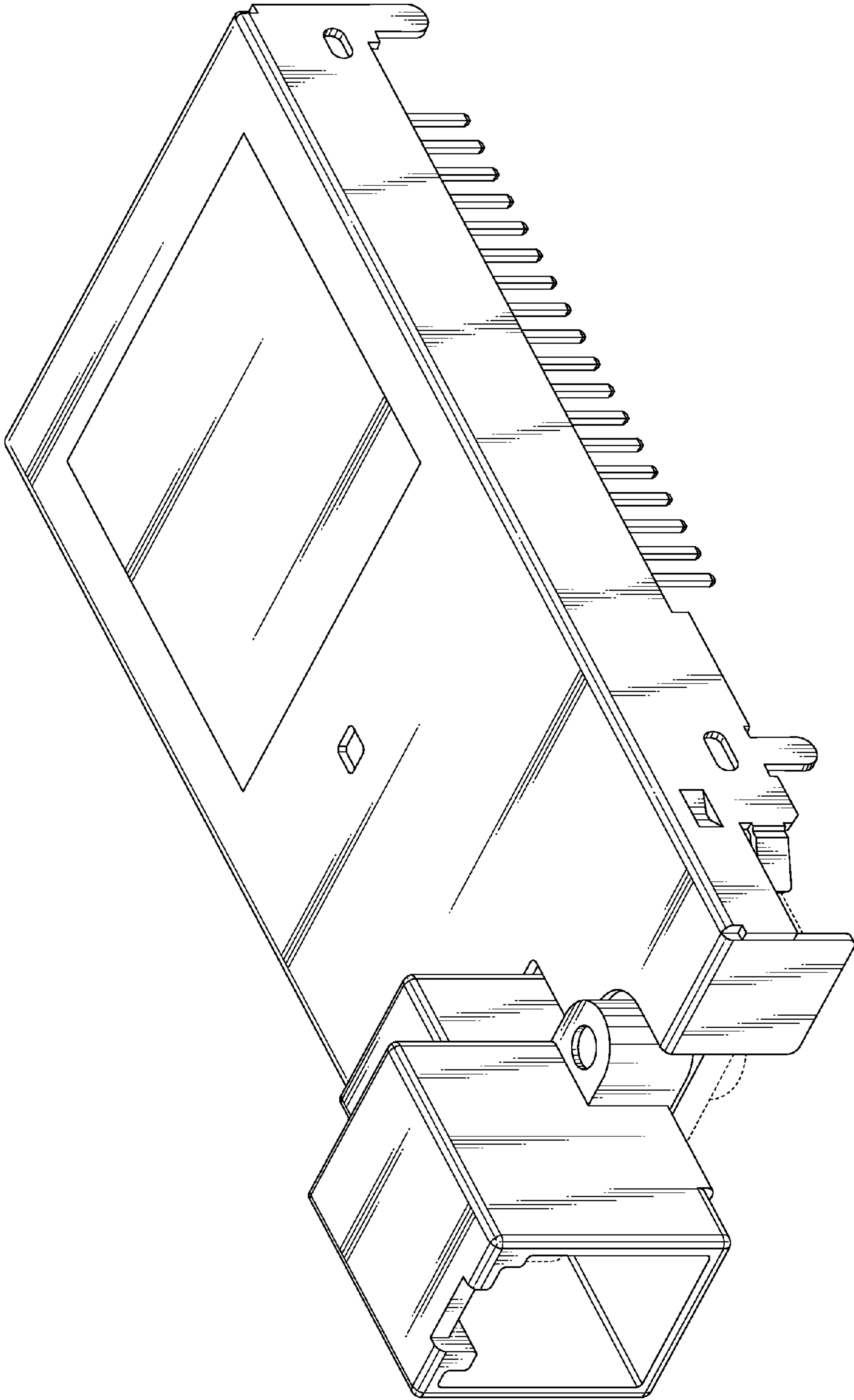


FIG.2

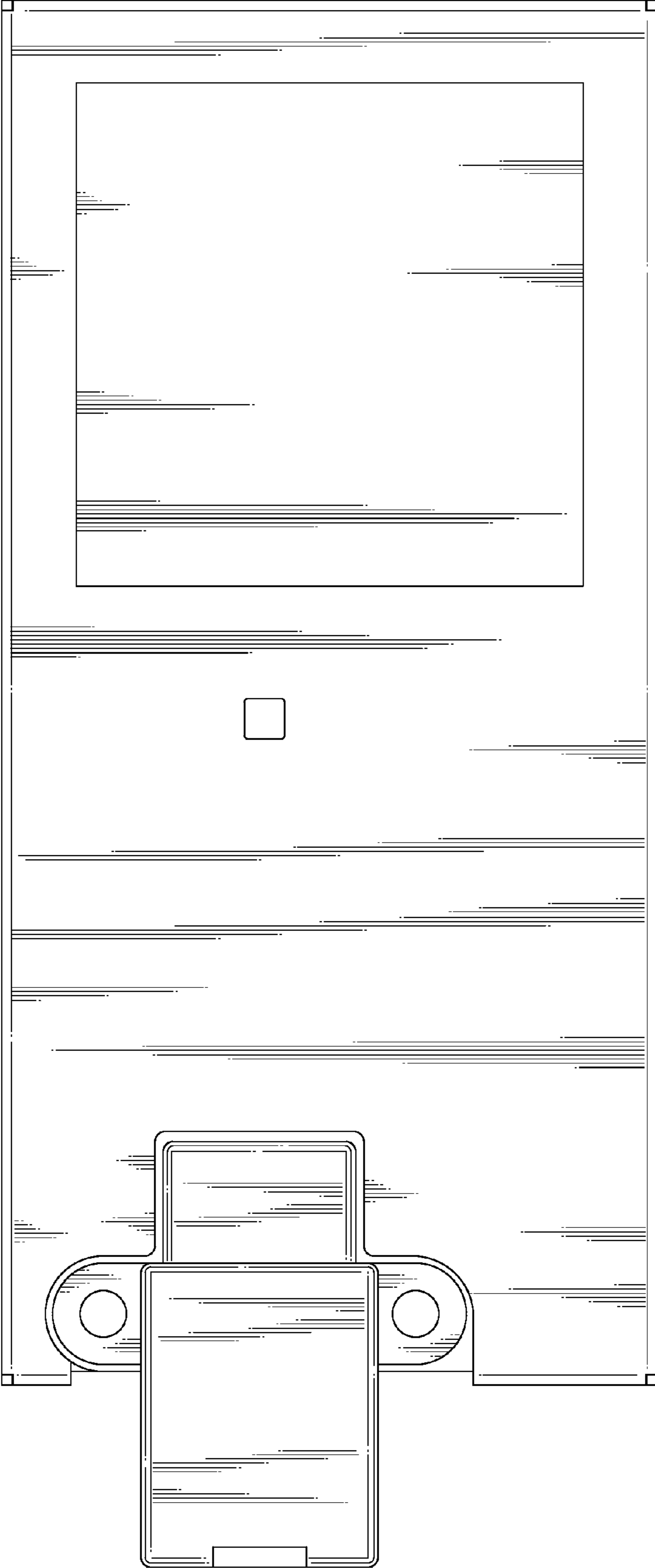


FIG.3

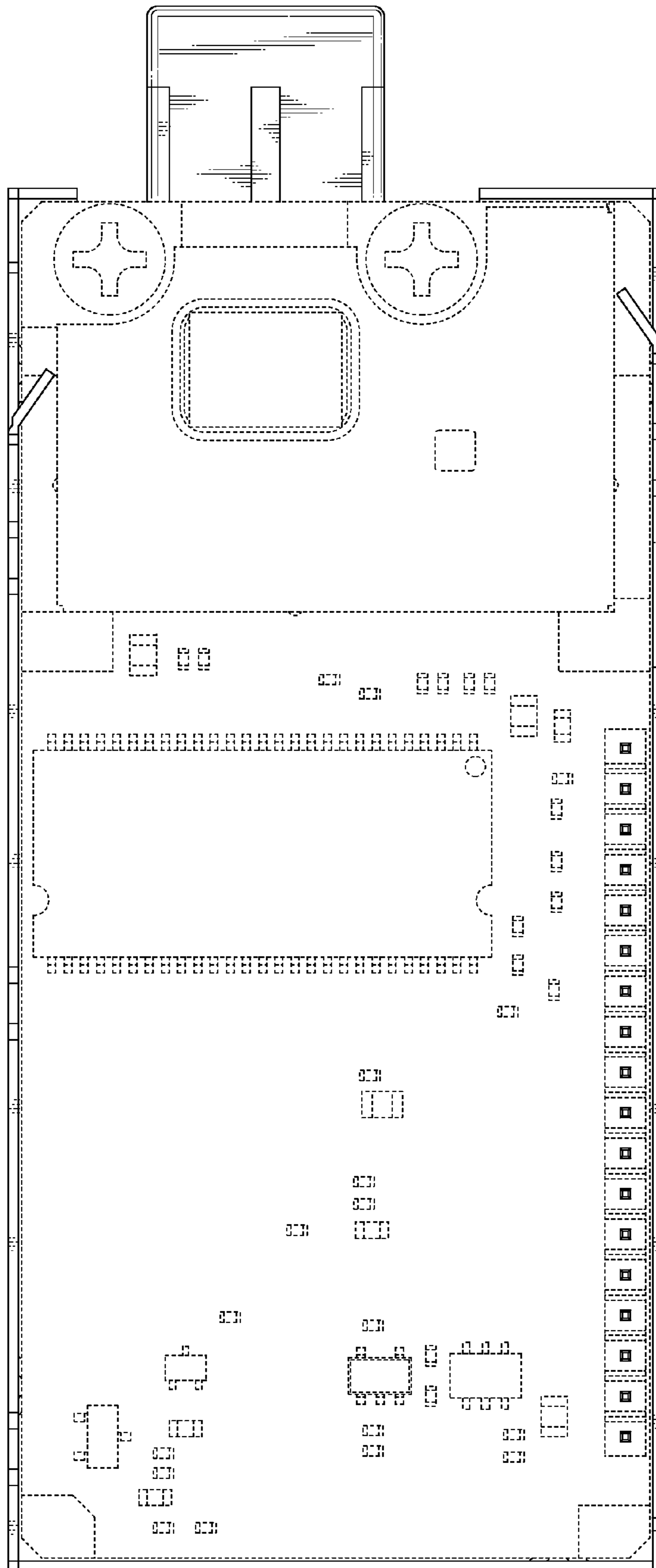


FIG.5

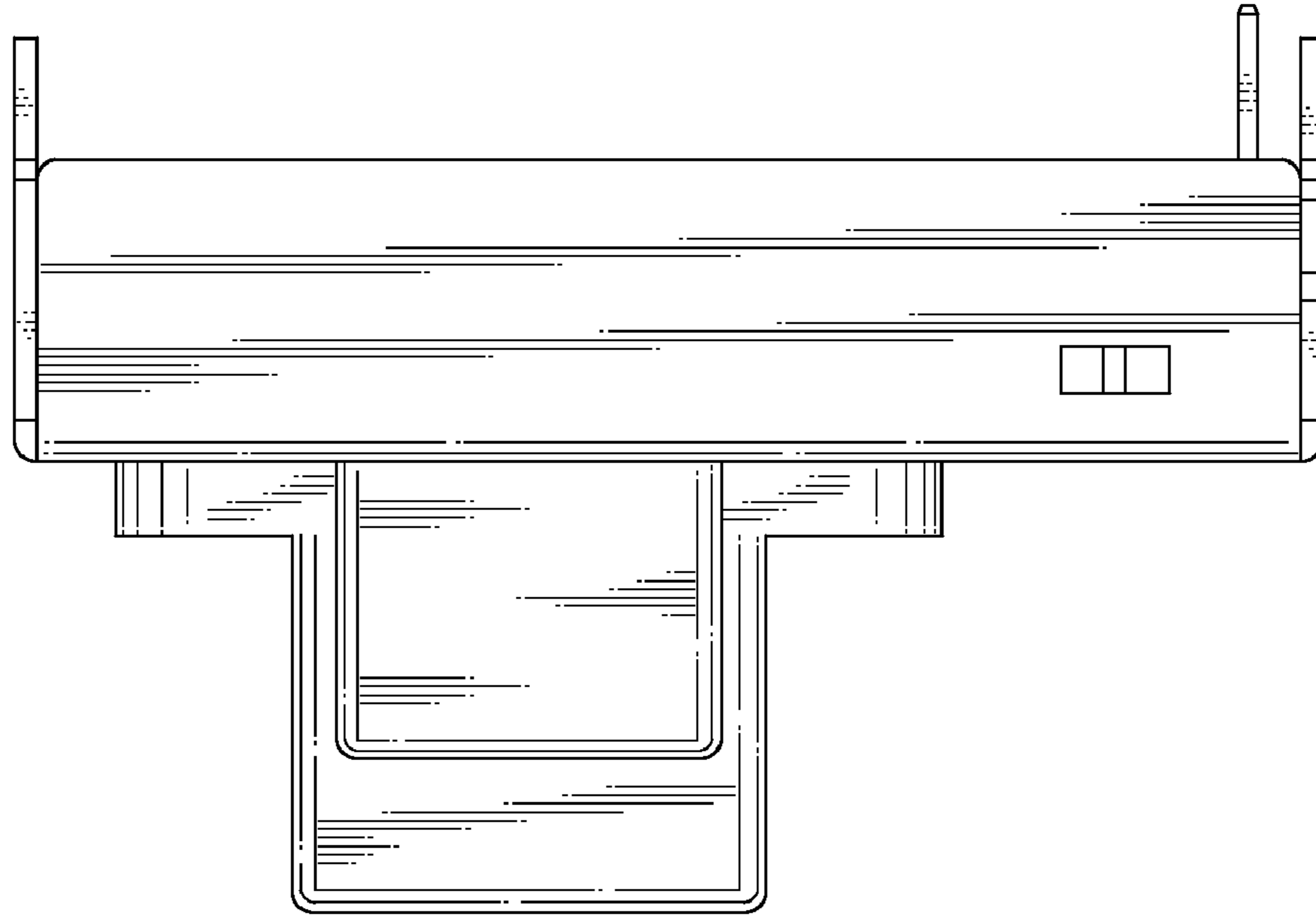


FIG.4

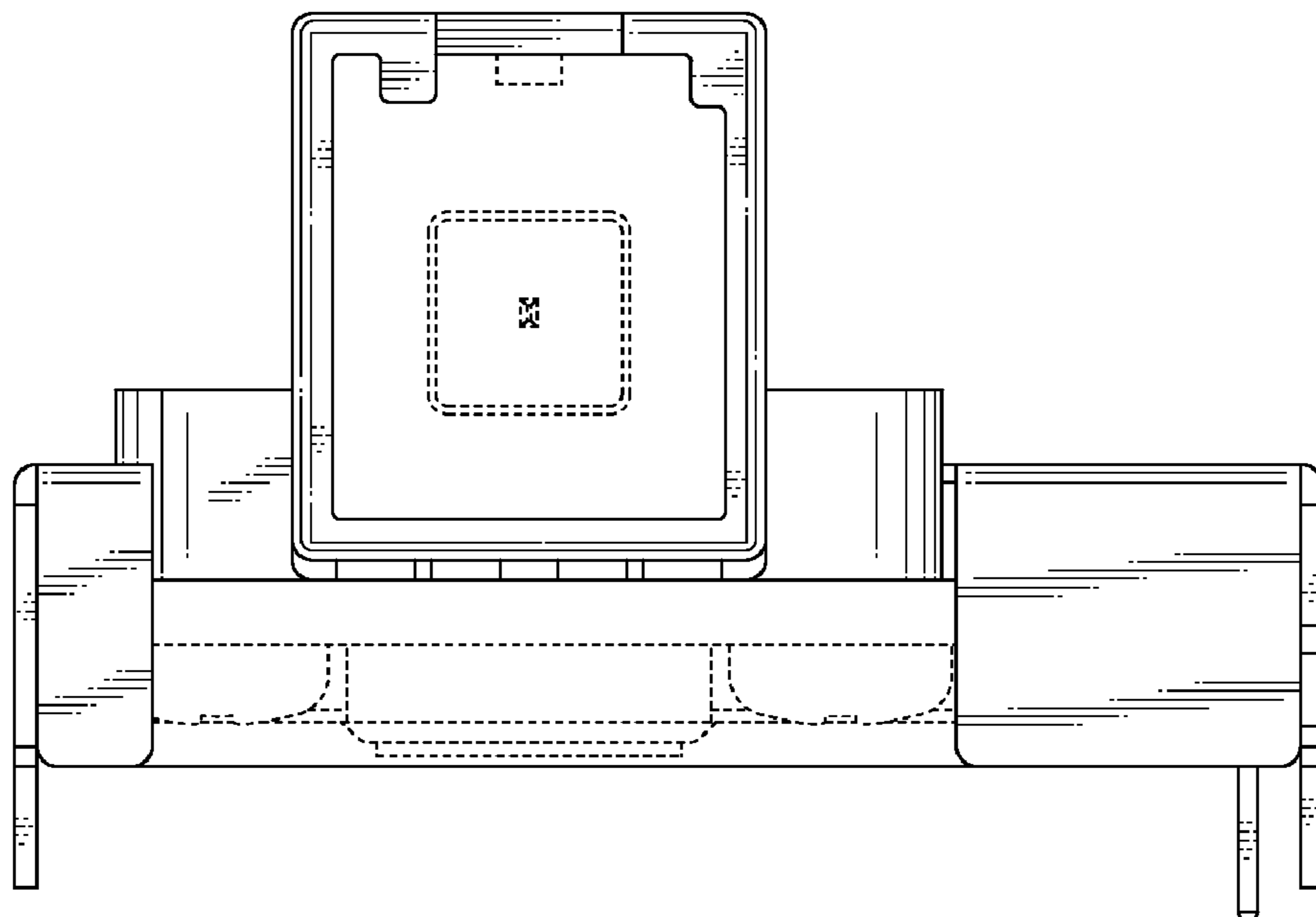


FIG.6

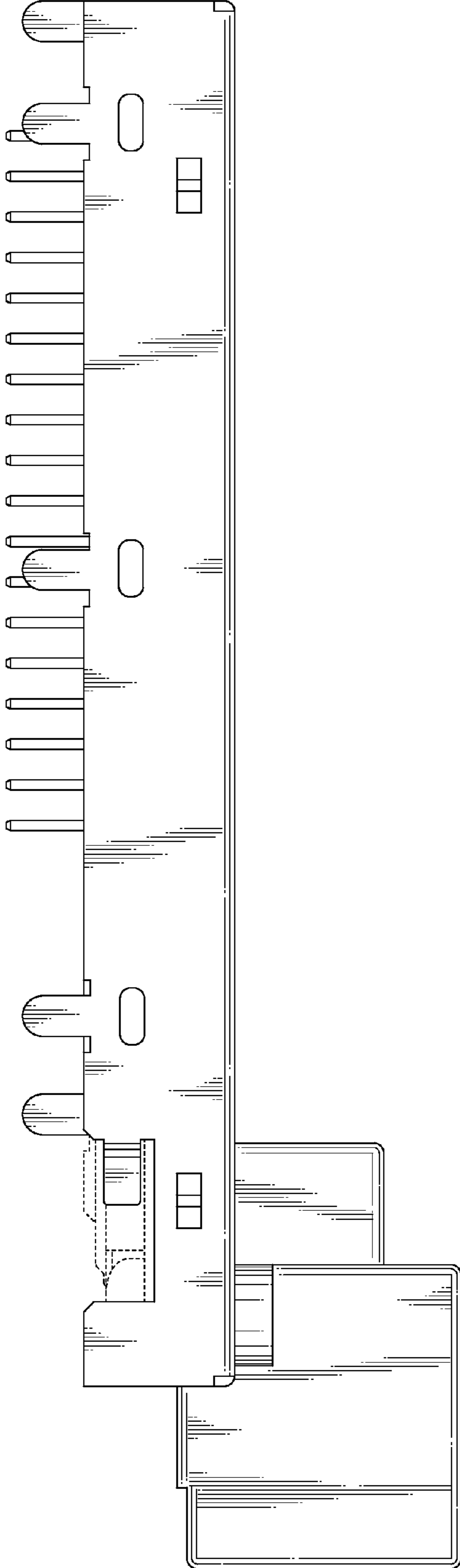


FIG.7

