

US00D630612S

(12) **United States Design Patent**
Tomono et al.

(10) **Patent No.:** **US D630,612 S**
(45) **Date of Patent:** **** Jan. 11, 2011**

(54) **DIGITAL AUDIO DISK PLAYER WITH
TUNER AND AMPLIFIER**

(75) Inventors: **Mizuki Tomono**, Meguro (JP); **Takashi
Matsumura**, Meguro (JP)

(73) Assignee: **Pioneer Kabushiki Kaisha**, Tokyo (JP)

(**) Term: **14 Years**

(21) Appl. No.: **29/357,376**

(22) Filed: **Mar. 11, 2010**

(30) **Foreign Application Priority Data**

Nov. 13, 2009 (JP) 2009-026673

(51) **LOC (9) Cl.** **14-01**

(52) **U.S. Cl.** **D14/157; D14/132**

(58) **Field of Classification Search** D14/496,
D14/498-505, 132, 137, 157, 168, 188, 197-198,
D14/257-258; 360/99.02, 99.07; 369/75.11,
369/75.21, 77.11, 77.21; 720/601, 612, 619,
720/649, 655; 455/344, 347-351; D10/65;
324/156

See application file for complete search history.

(56) **References Cited**

U.S. PATENT DOCUMENTS

6,816,177 B2 * 11/2004 Wang et al. 345/156
D522,489 S * 6/2006 Yoshihara D14/157
D550,637 S * 9/2007 Iwamoto et al. D14/157
D572,218 S * 7/2008 Iwamoto D14/132
D575,252 S * 8/2008 Iwamoto D14/132
D580,898 S * 11/2008 Aihara D14/132

FOREIGN PATENT DOCUMENTS

JP S-1281560 9/2006
JP S-1308198 8/2007
JP S-1348886 1/2009
JP S-1367442 8/2009

OTHER PUBLICATIONS

Excerpts from "Carrozzeria" catalogue, published by Pioneer in Jan. 2008 (6 pgs).

Excerpts from "Carrozzeria" catalogue, published by Pioneer in Jan. 2007 (2 pgs).

Excerpts from "Carrozzeria" catalogue, published by Pioneer in Feb. 2006 (1 pg).

Excerpts from "Carrozzeria" catalogue, published by Pioneer in May 2009 (1 pg).

Excerpts from "Carrozzeria" catalogue, published by Pioneer in May 2006 (1 pg).

Excerpts from "Carrozzeria" catalogue, published by Pioneer in Jan. 2006 (3 pgs).

* cited by examiner

Primary Examiner—Nanda Bondade

(74) *Attorney, Agent, or Firm*—Oliff & Berridge, PLC

(57) **CLAIM**

The ornamental design for a digital audio disk player with tuner and amplifier, as shown and described.

DESCRIPTION

FIG. 1 is a perspective view of a digital audio disk player with tuner and amplifier;

FIG. 2 is another perspective view thereof where a display portion is housed in a main body;

FIG. 3 is an exploded perspective view thereof where a front panel is detached from a main body;

FIG. 4 is a front view thereof;

FIG. 5 is a rear view thereof;

FIG. 6 is a left-side view thereof

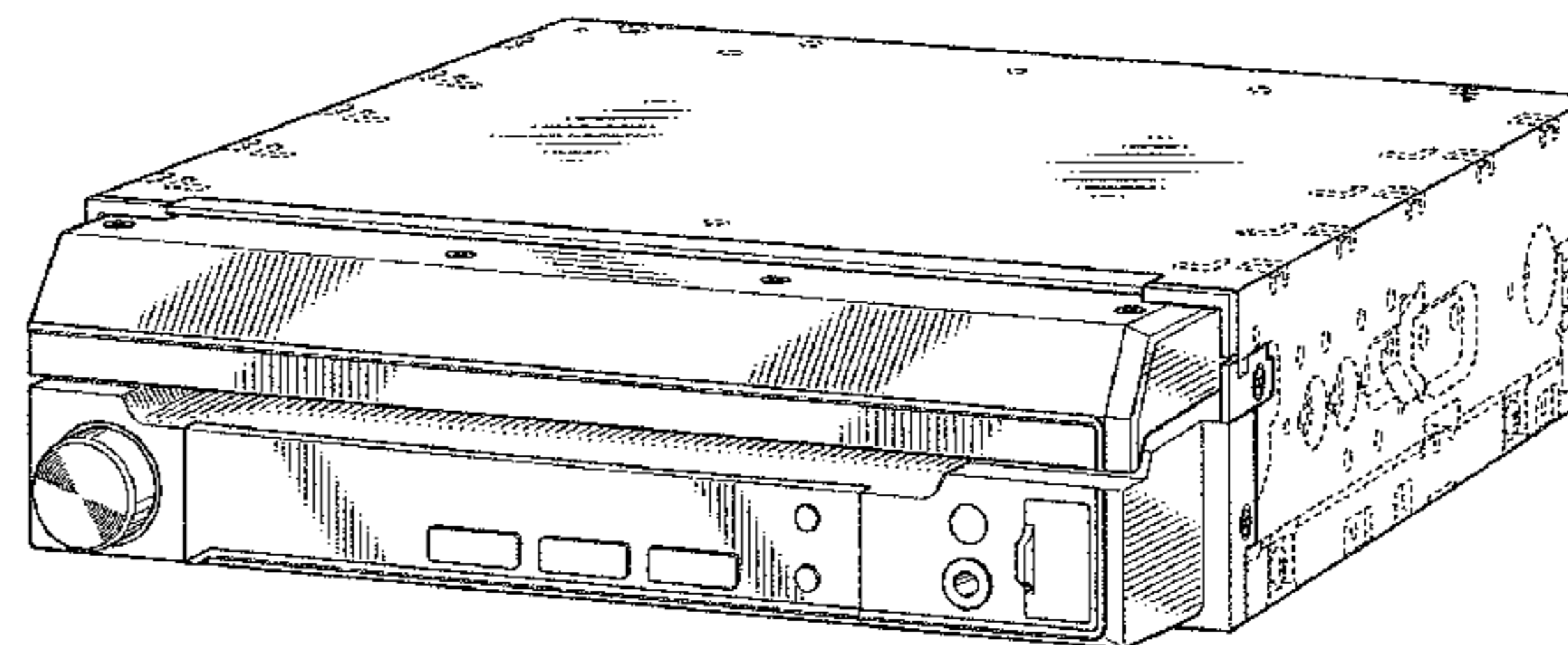
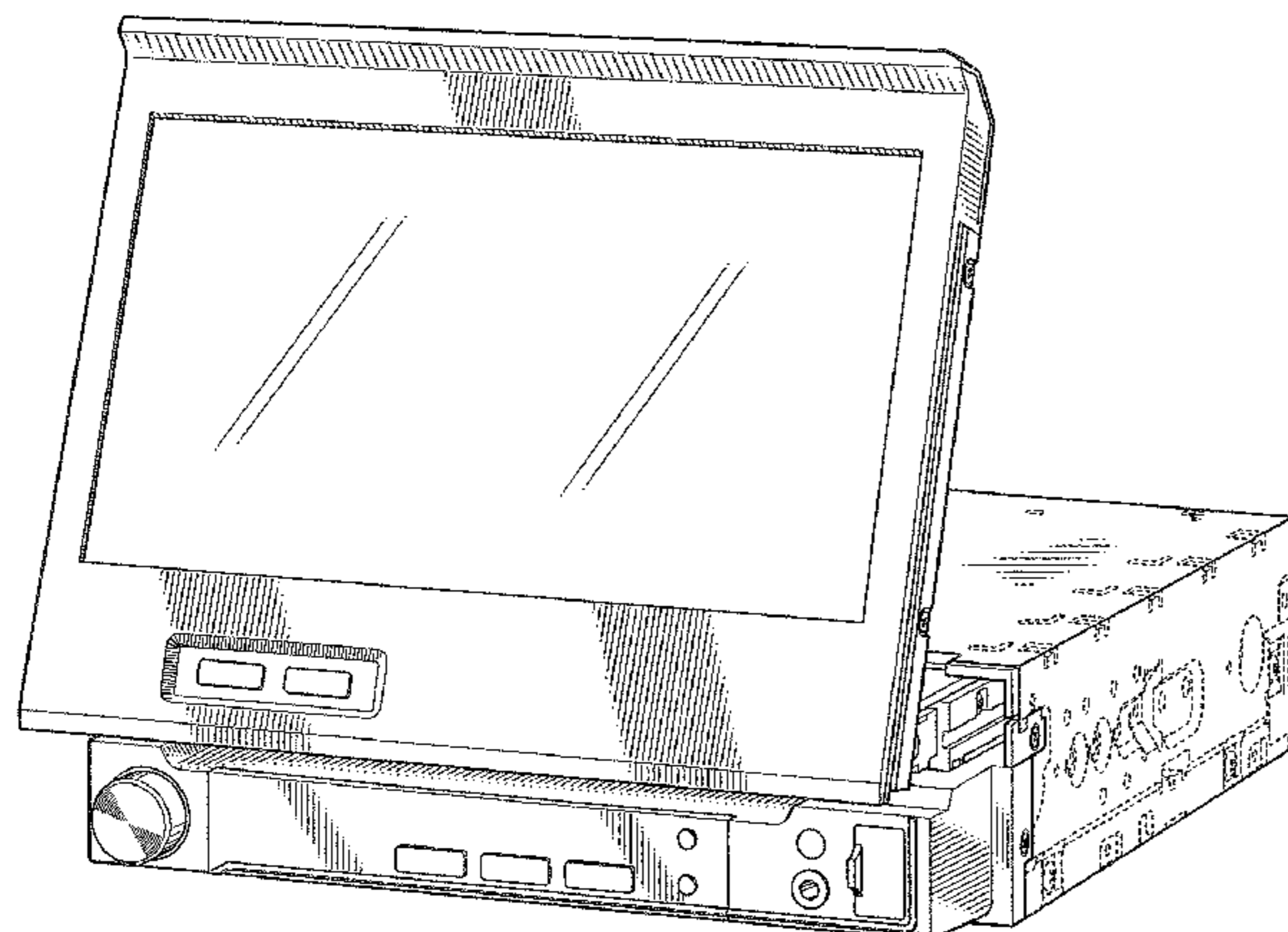
FIG. 7 is a right-side view thereof;

FIG. 8 is a top plan view thereof; and,

FIG. 9 is a bottom plan view thereof.

The broken lines depict environmental subject matter only and form no part of the claimed design.

1 Claim, 6 Drawing Sheets



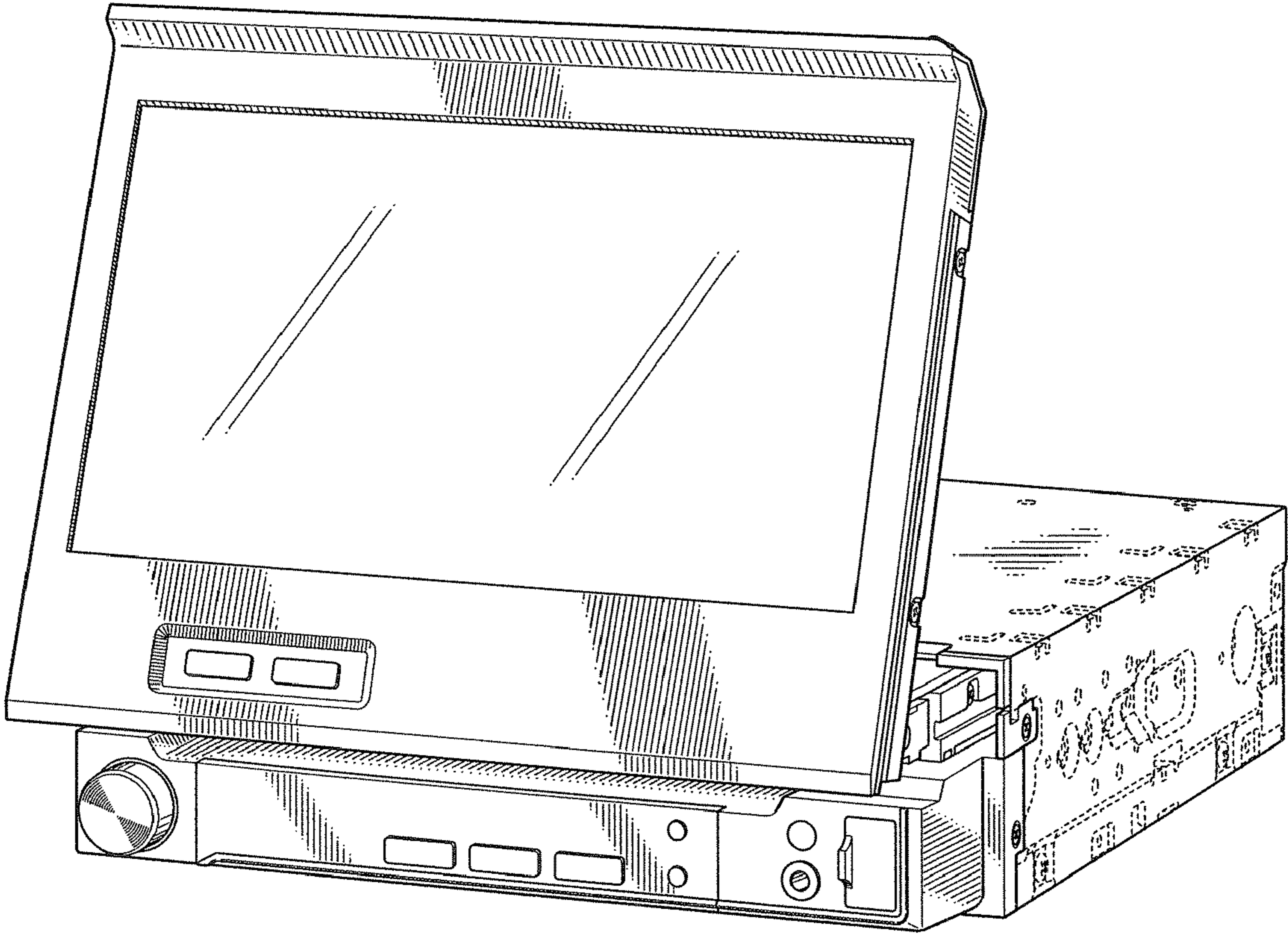


FIG. 1

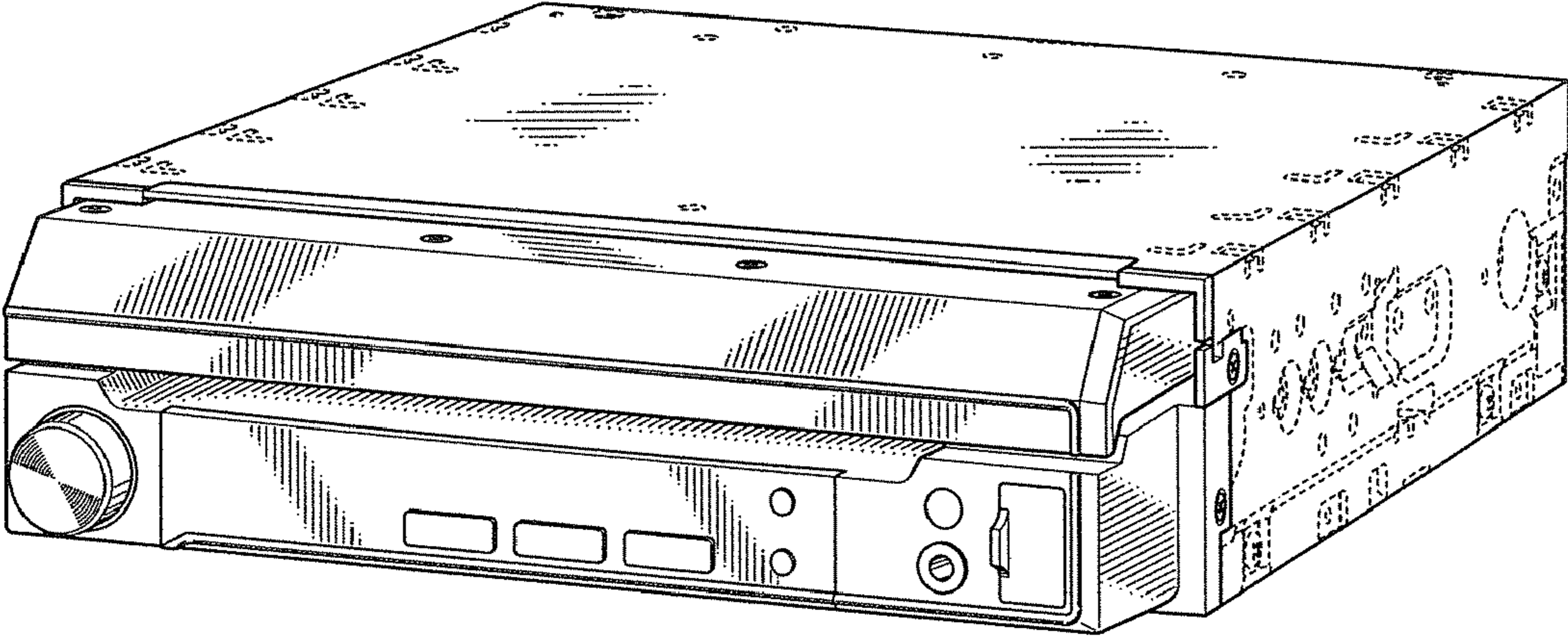


FIG. 2

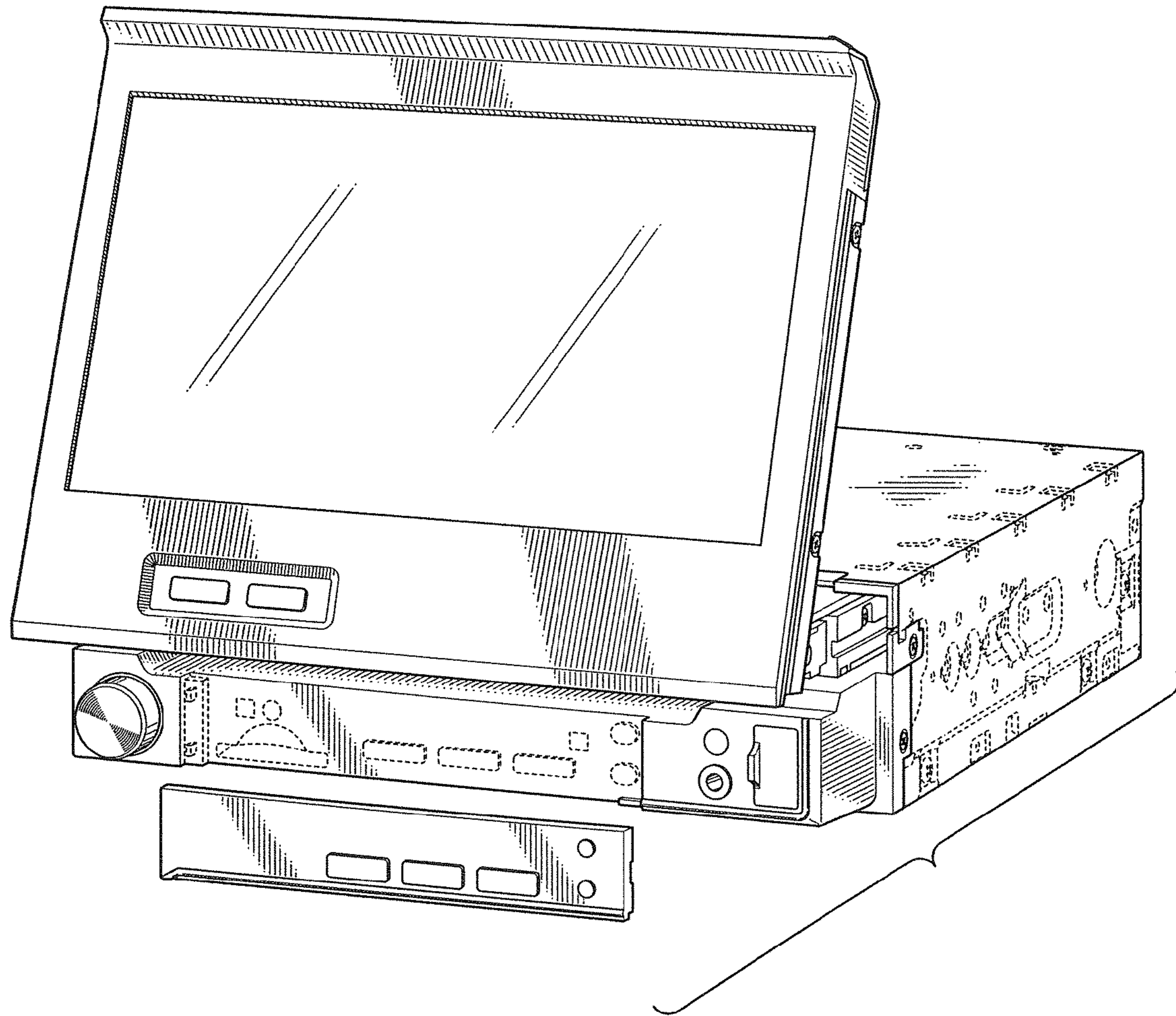


FIG. 3

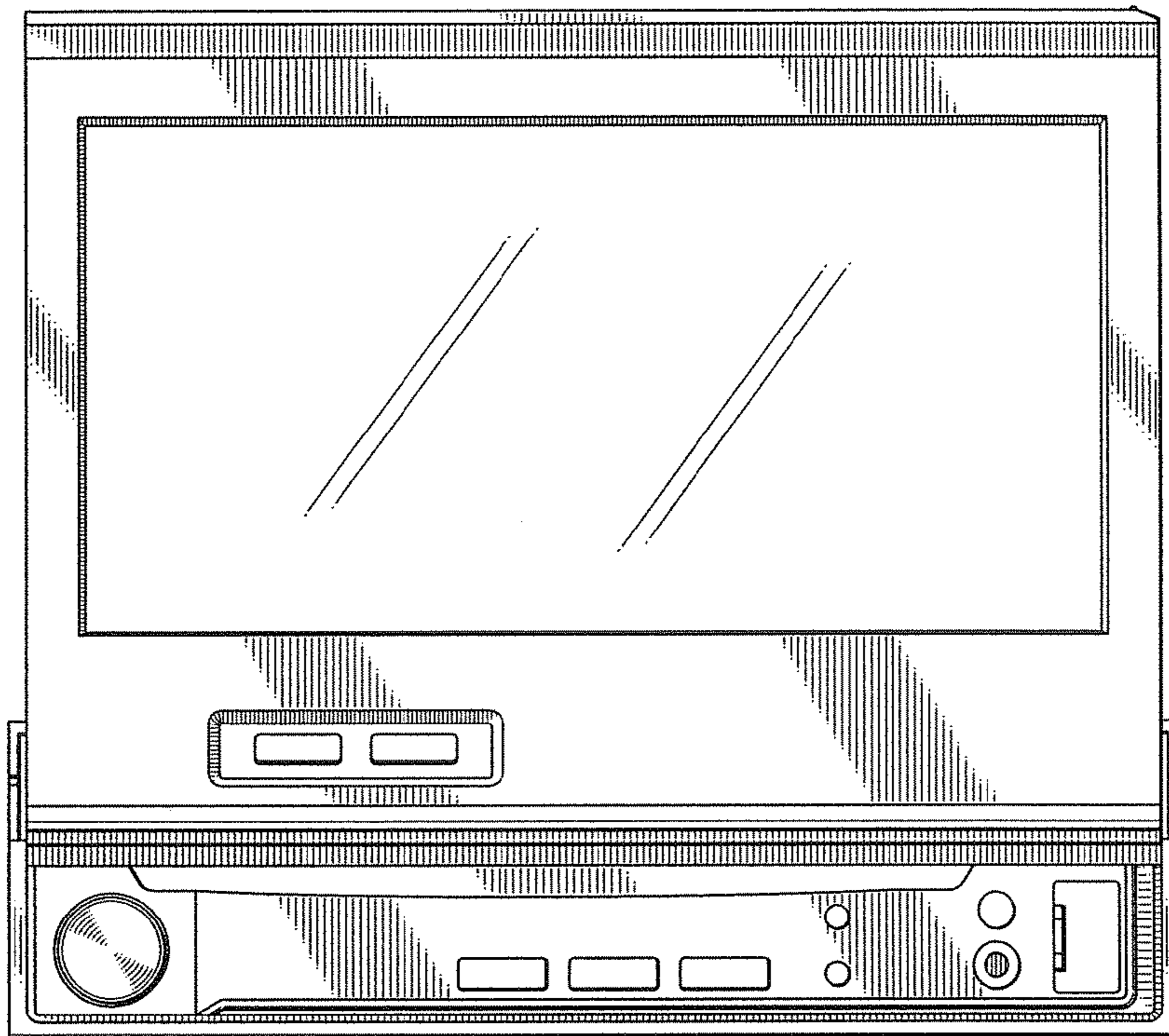


FIG. 4

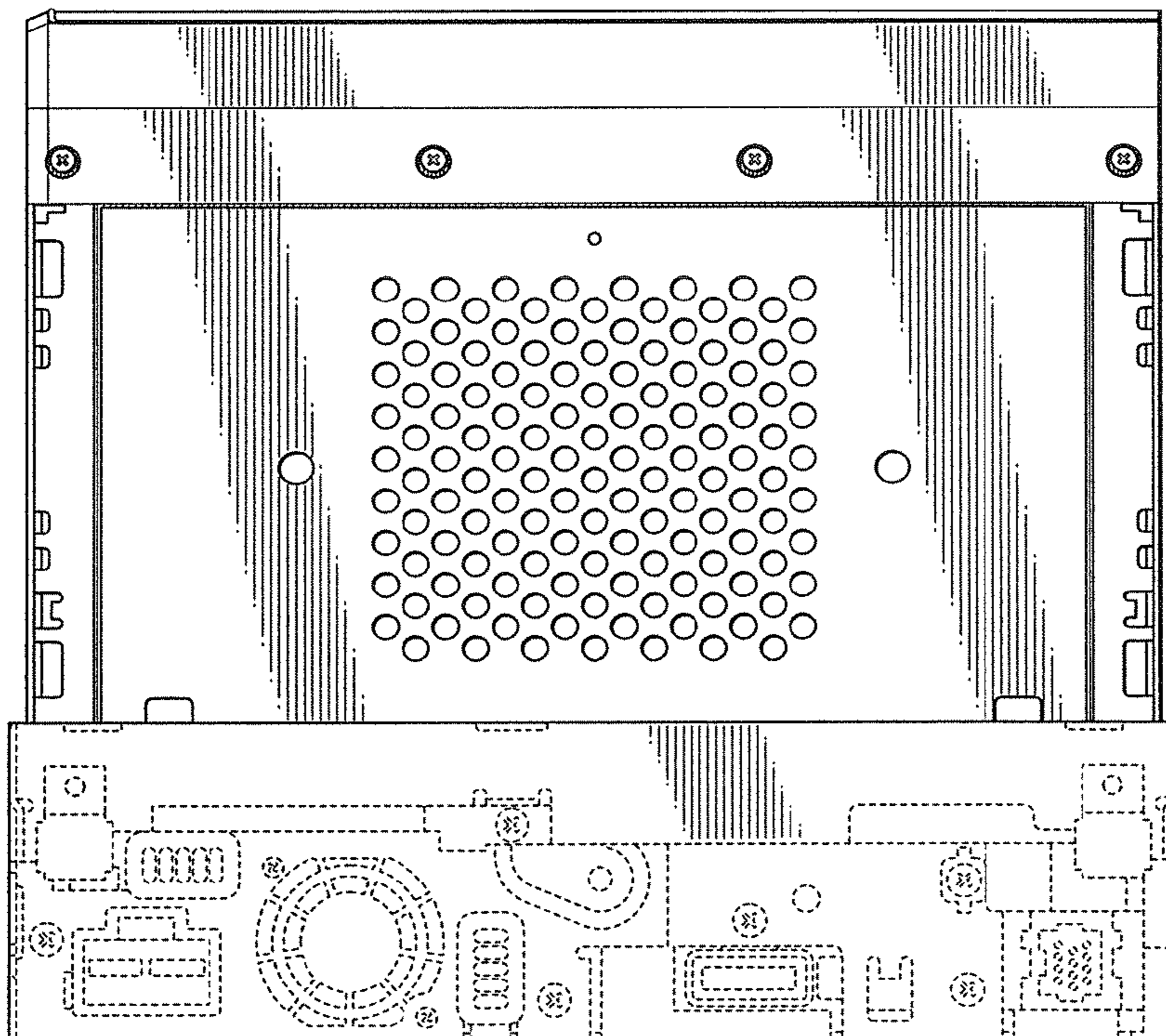


FIG. 5

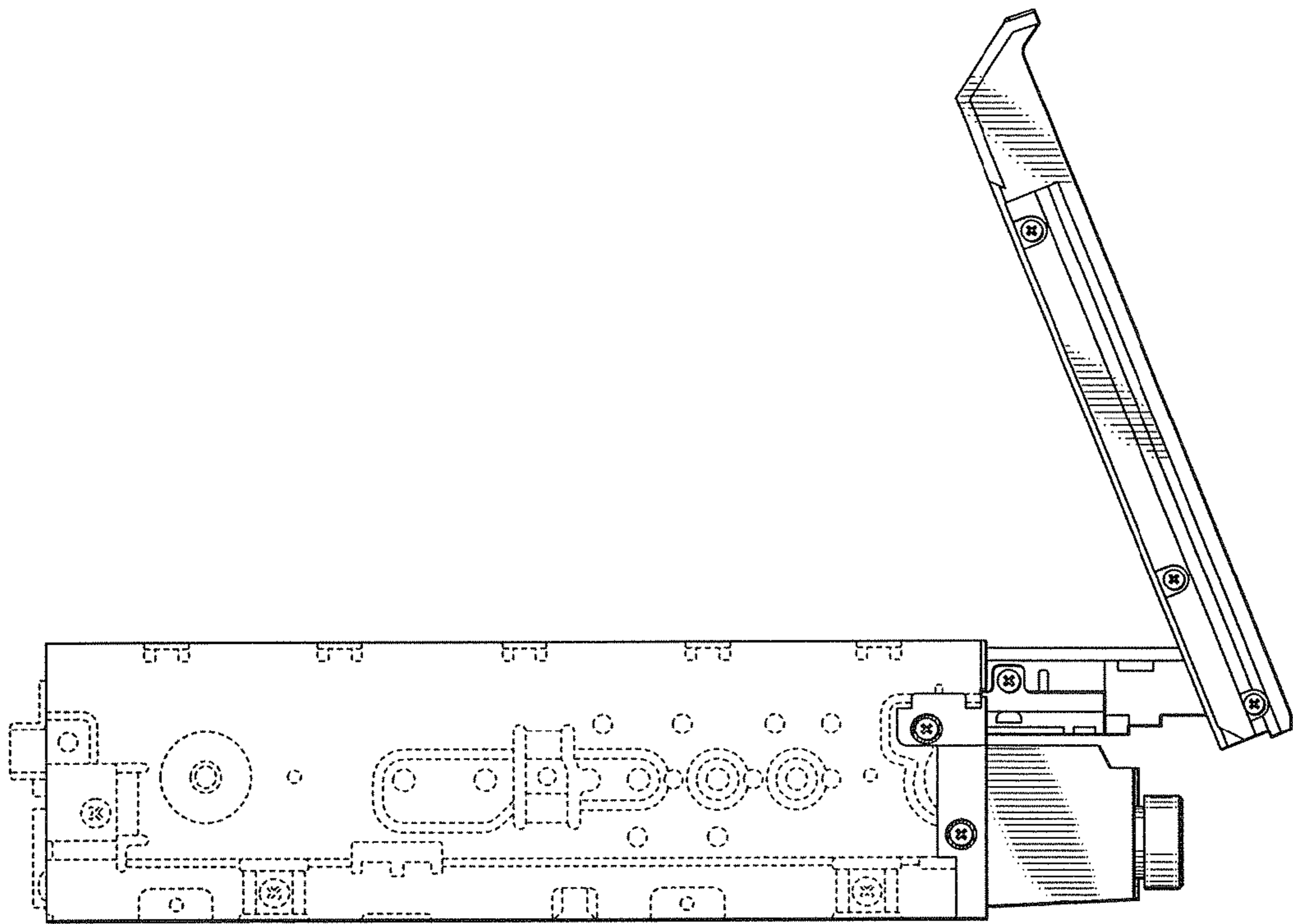


FIG. 6

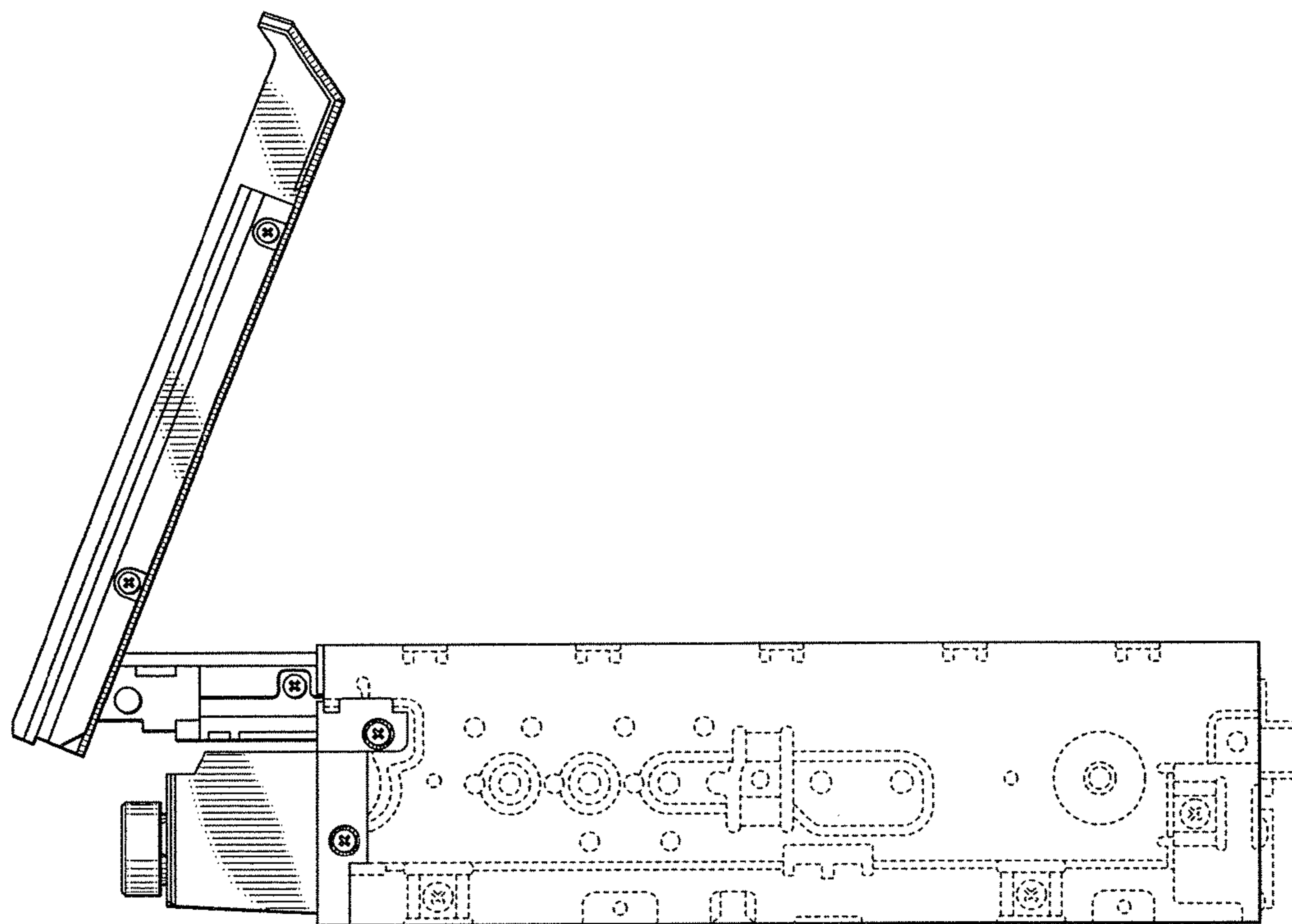


FIG. 7

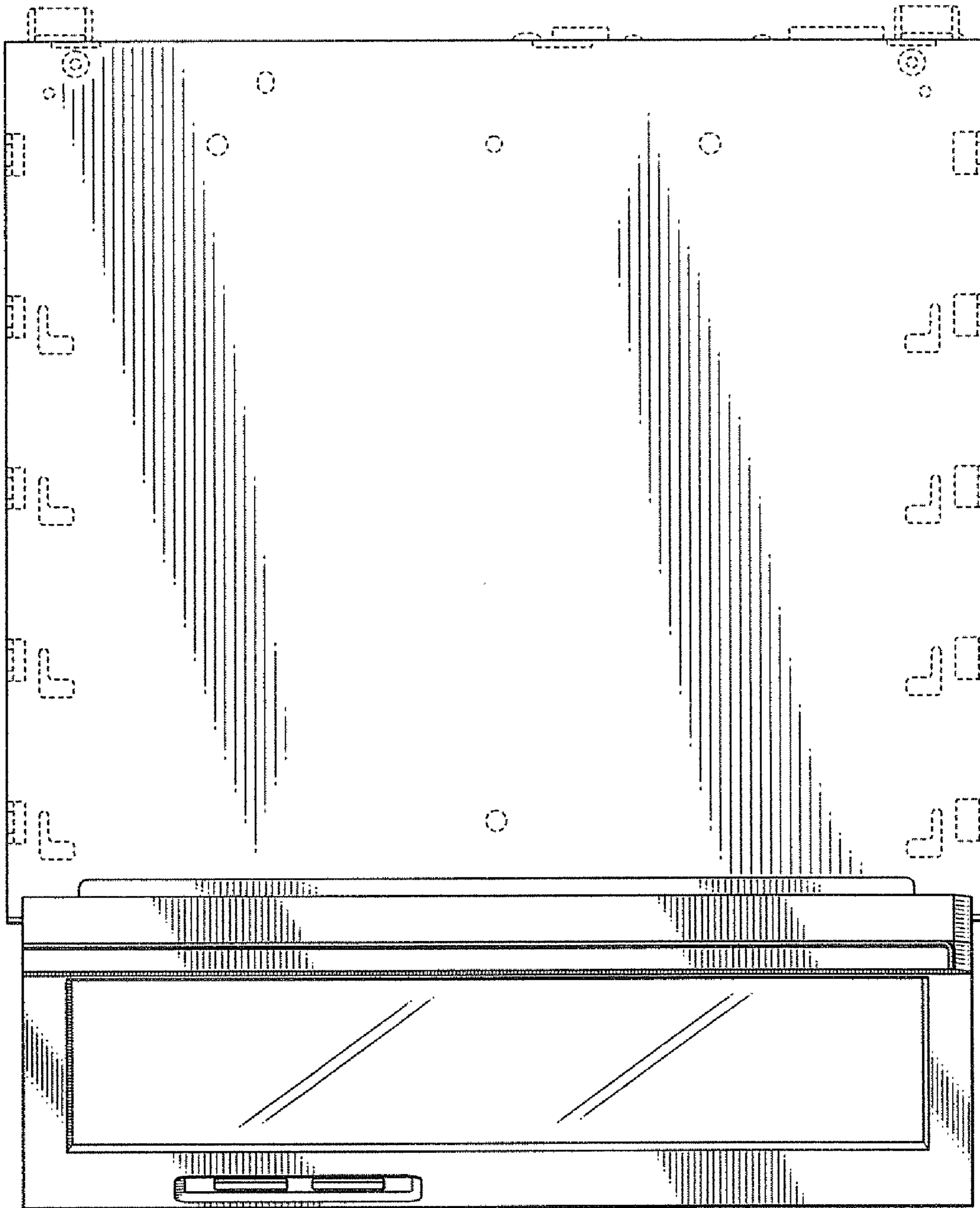


FIG. 8

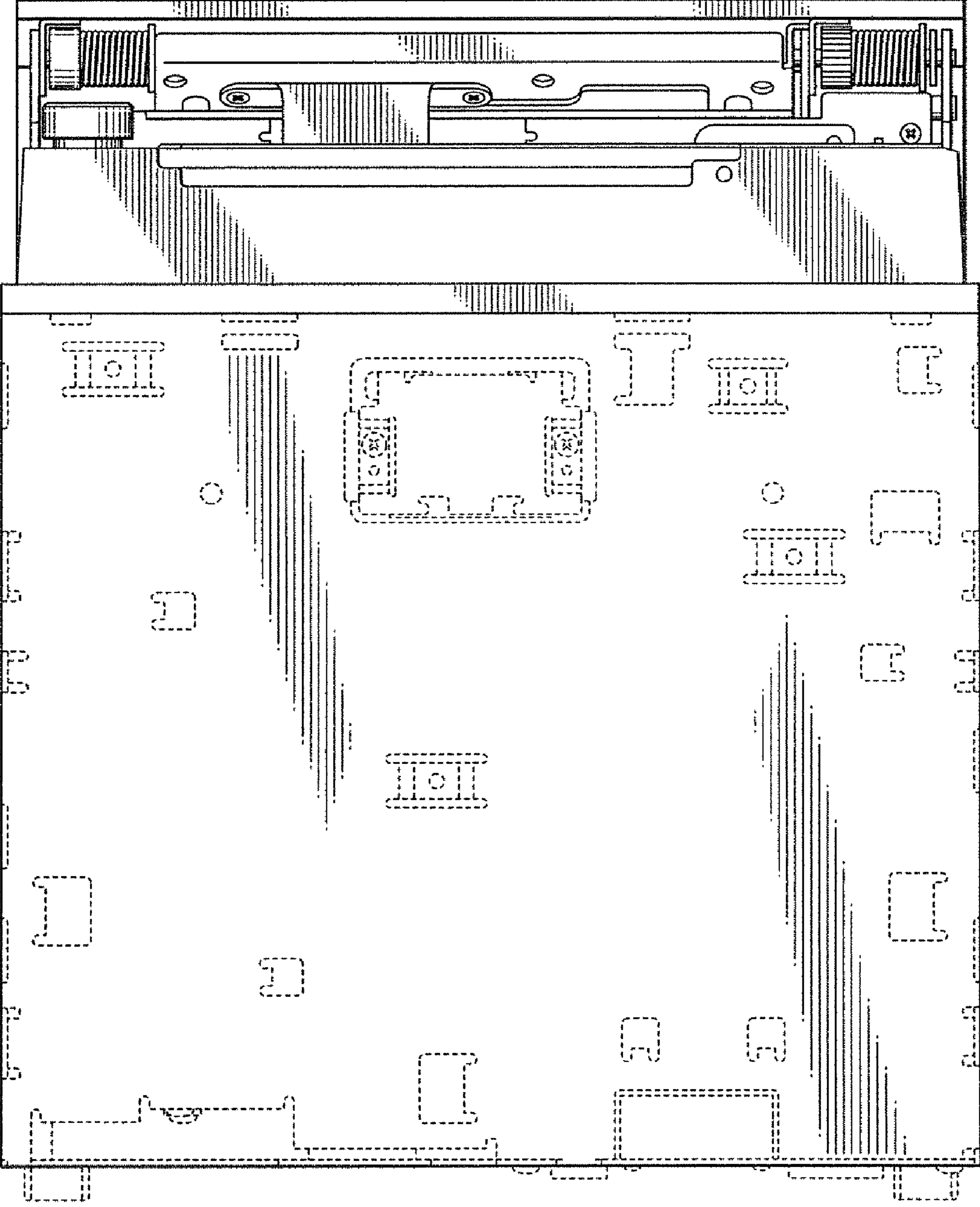


FIG. 9