



(12) **United States Design Patent**  
**Li**

(10) **Patent No.:** **US D630,607 S**  
(45) **Date of Patent:** **\*\* Jan. 11, 2011**

(54) **MOBILE PHONE**

(75) Inventor: **Jian-Hui Li**, Shenzhen (CN)

(73) Assignee: **FIH (Hong Kong) Limited**, Kowloon (HK)

(\*\*) Term: **14 Years**

(21) Appl. No.: **29/355,046**

(22) Filed: **Feb. 2, 2010**

(30) **Foreign Application Priority Data**

Jan. 8, 2010 (CN) ..... 201030300524

(51) **LOC (9) Cl.** ..... **14-03**

(52) **U.S. Cl.** ..... **D14/138 AB; D14/138 R; D14/345; D14/346**

(58) **Field of Classification Search** ..... D14/138 AA, D14/496, 341, 345, 346, 203.3, 203.4, 203.7, D14/138 AD, 138 R, 138 AB, 393, 394, 320; 455/575.1, 556.2, 556.1, 575.3; D21/517; 379/433.01, 433.04, 433.13, 433.11; 361/679.56, 361/679.15, 679.13, 679.16  
See application file for complete search history.

(56) **References Cited**

**U.S. PATENT DOCUMENTS**

3,940,758 A \* 2/1976 Margolin ..... 345/169

(Continued)

**OTHER PUBLICATIONS**

Samsung D300 telephone, announced Feb. 2006, [online], [site visited Aug. 17, 2010]. Available from Internet, <URL: <http://www.gsmarena.com>>.\*

(Continued)

*Primary Examiner*—Jeffrey D Asch

(74) *Attorney, Agent, or Firm*—Steven M. Reiss

(57) **CLAIM**

The ornamental design for a mobile phone, as shown and described.

**DESCRIPTION**

FIG. 1 is a perspective view of a mobile phone showing my new design and in a first configuration;

FIG. 2 is a front elevational view of the new design and in the first configuration;

FIG. 3 is a rear elevational view of the new design and in the first configuration;

FIG. 4 is a left side elevational view of the new design and in the first configuration;

FIG. 5 is a right side elevational view of the new design and in the first configuration;

FIG. 6 is a top plan view of the new design and in the first configuration;

FIG. 7 is a bottom plan view of the new design and in the first configuration;

FIG. 8 is a perspective view of the mobile phone of FIG. 1 in a second configuration;

FIG. 9 is a front elevational view of the new design and in the second configuration;

FIG. 10 is a rear elevational view of the new design and in the second configuration;

FIG. 11 is a left side elevational view of the new design and in the second configuration;

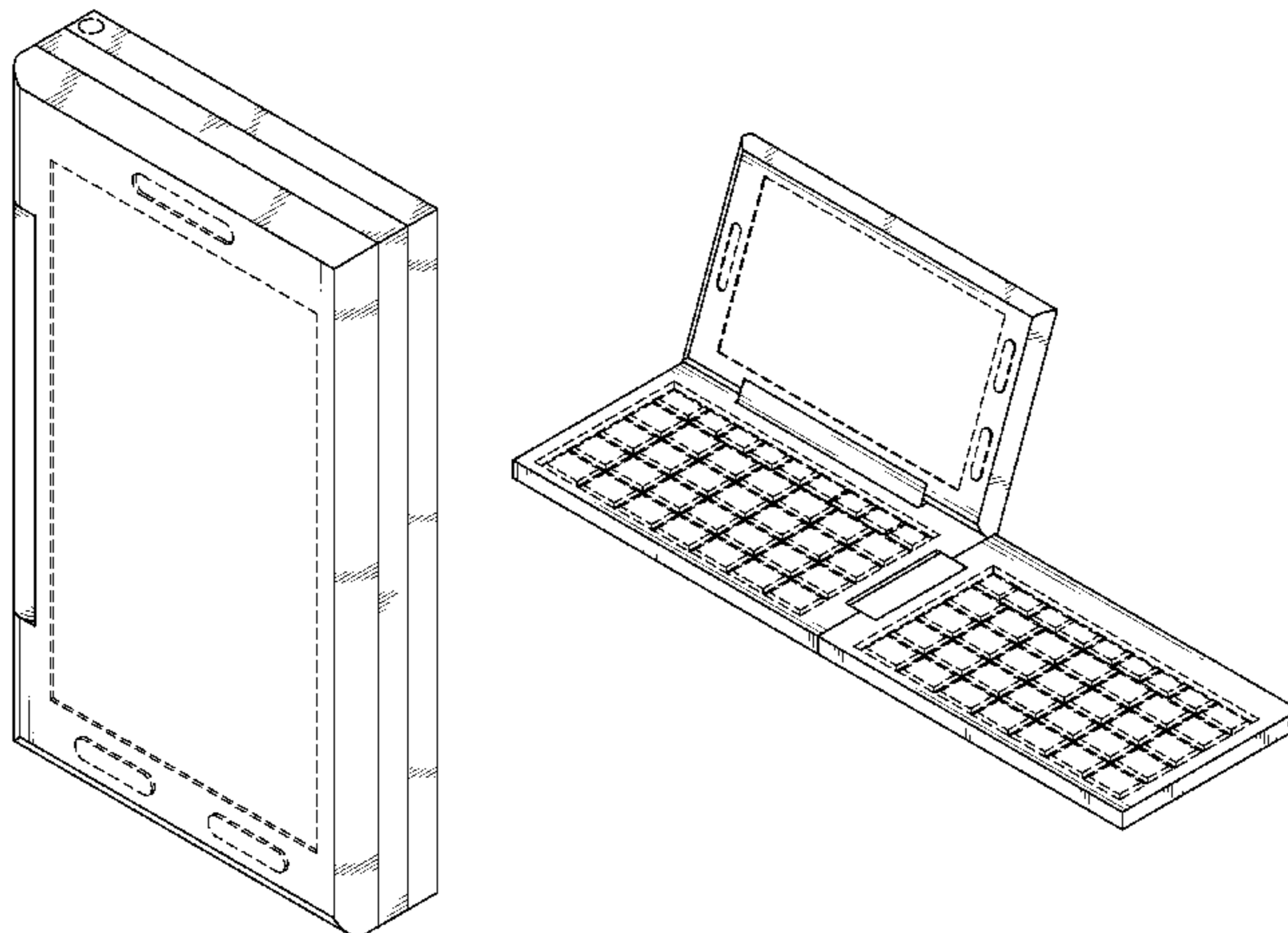
FIG. 12 is a right side elevational view of the new design and in the second configuration;

FIG. 13 is a top plan view of the new design and in the second configuration; and,

FIG. 14 is a bottom plan view of the new design and in the second configuration.

The broken lines shown throughout the views, which are immediately adjacent to the shaded areas and define unshaded regions, represent the bounds of the claimed design, while all other broken lines are directed to environment and are for illustrative purposes only; the broken lines form no part of the claimed design.

**1 Claim, 14 Drawing Sheets**



# US D630,607 S

Page 2

## U.S. PATENT DOCUMENTS

D258,892	S *	4/1981	Ohie et al. ....	D18/7					
D324,035	S *	2/1992	Izaki .....	D14/320					
5,712,760	A *	1/1998	Coulon et al. ....	361/679.15					
5,933,320	A *	8/1999	Malhi .....	361/679.55					
5,943,041	A *	8/1999	Allison et al. ....	345/168					
6,151,012	A *	11/2000	Bullister .....	345/168					
D443,598	S *	6/2001	Katz .....	D14/396					
6,256,017	B1 *	7/2001	Bullister .....	345/168					
6,266,234	B1 *	7/2001	Leman .....	361/679.11					
D454,347	S *	3/2002	Chung et al. ....	D14/320					
D470,493	S *	2/2003	Tritschler et al. ....	D14/393					
6,547,463	B1 *	4/2003	Loo .....	400/472					
6,585,440	B2 *	7/2003	Lin .....	400/681					
6,594,142	B2 *	7/2003	Katz .....	361/679.16					
6,643,124	B1 *	11/2003	Wilk .....	361/679.04					
6,697,055	B1 *	2/2004	Bullister .....	345/168					
6,798,649	B1 *	9/2004	Olodort et al. ....	361/679.13					
6,825,832	B2 *	11/2004	Chung et al. ....	345/168					
6,999,008	B2 *	2/2006	Wang et al. ....	341/22					
D530,716	S *	10/2006	Kimura et al. ....	D14/396					
D540,790	S *	4/2007	Kim et al. ....	D14/345					
D546,795	S *	7/2007	Kim et al. ....	D14/138 AB					
D563,344	S *	3/2008	Kim et al. ....	D14/138 AB					
7,400,908	B2 *	7/2008	Lehtonen .....	455/566					
D576,601	S *	9/2008	Yasuda et al. ....	D14/138 AB					
7,446,757	B2 *	11/2008	Mochizuki et al. ....	345/168					
D590,365	S *	4/2009	Kim et al. ....	D14/138 AB					
D591,258	S *	4/2009	Wilson .....	D14/138 AB					
7,540,675	B2 *	6/2009	Liu .....	400/472					
D612,847	S *	3/2010	Clark .....	D14/345					
7,764,489	B2 *	7/2010	Kim et al. ....	361/679.16					
2002/0077161	A1 *	6/2002	Eromaki .....	455/575					
2004/0001047	A1 *	1/2004	Wang .....	345/168					
2005/0026658	A1 *	2/2005	Soejima .....	455/575.1					
2007/0004475	A1 *	1/2007	Kuo et al. ....	455/575.3					
2008/0070635	A1 *	3/2008	Bang et al. ....	455/566					
2008/0125198	A1 *	5/2008	Kim .....	455/575.3					
2010/0041439	A1 *	2/2010	Bullister .....	455/566					

## OTHER PUBLICATIONS

Sony Ericsson P910 telephone, announced 3rd quarter 2004, [online], [site visited Aug. 17, 2010]. Available from Internet, <URL: <http://www.gsmarena.com>>.\*

\* cited by examiner

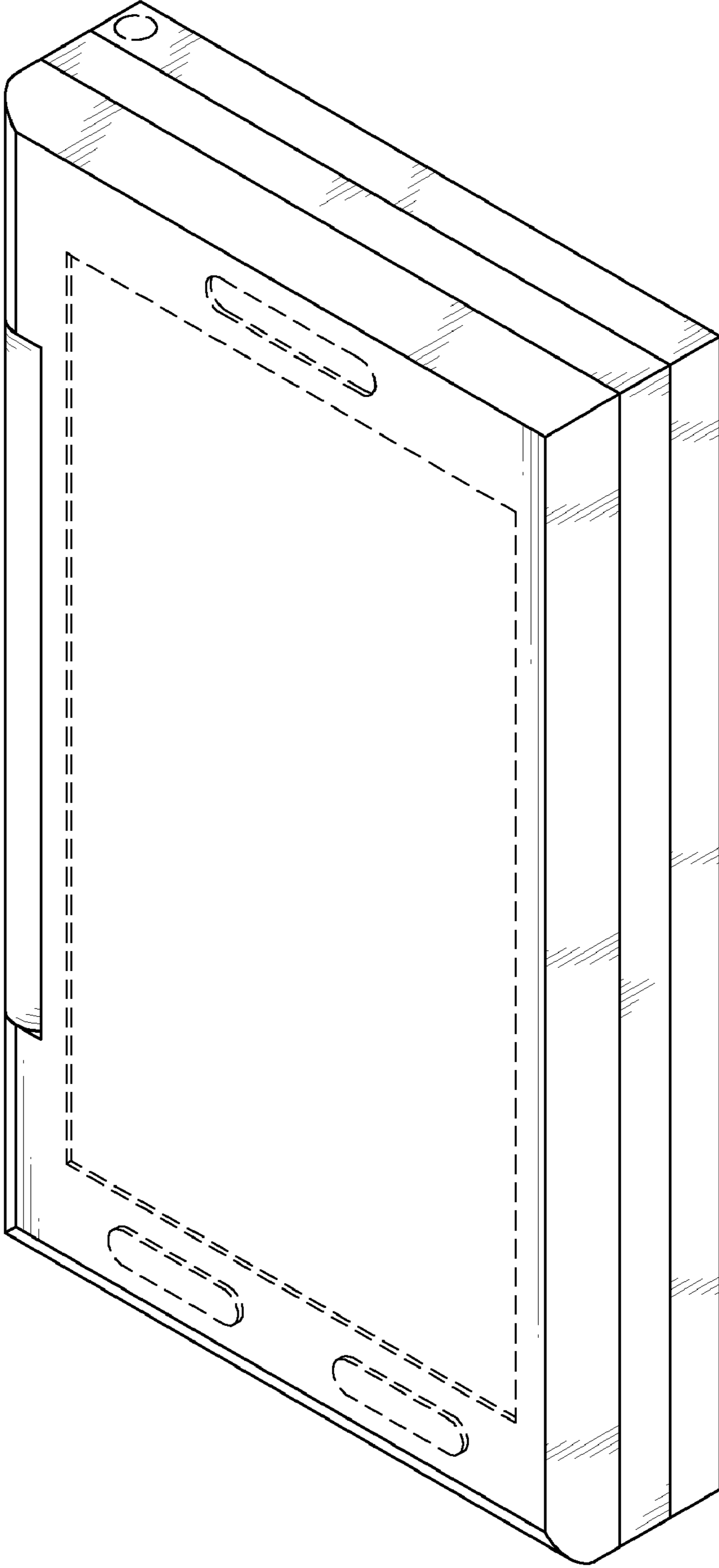


FIG. 1

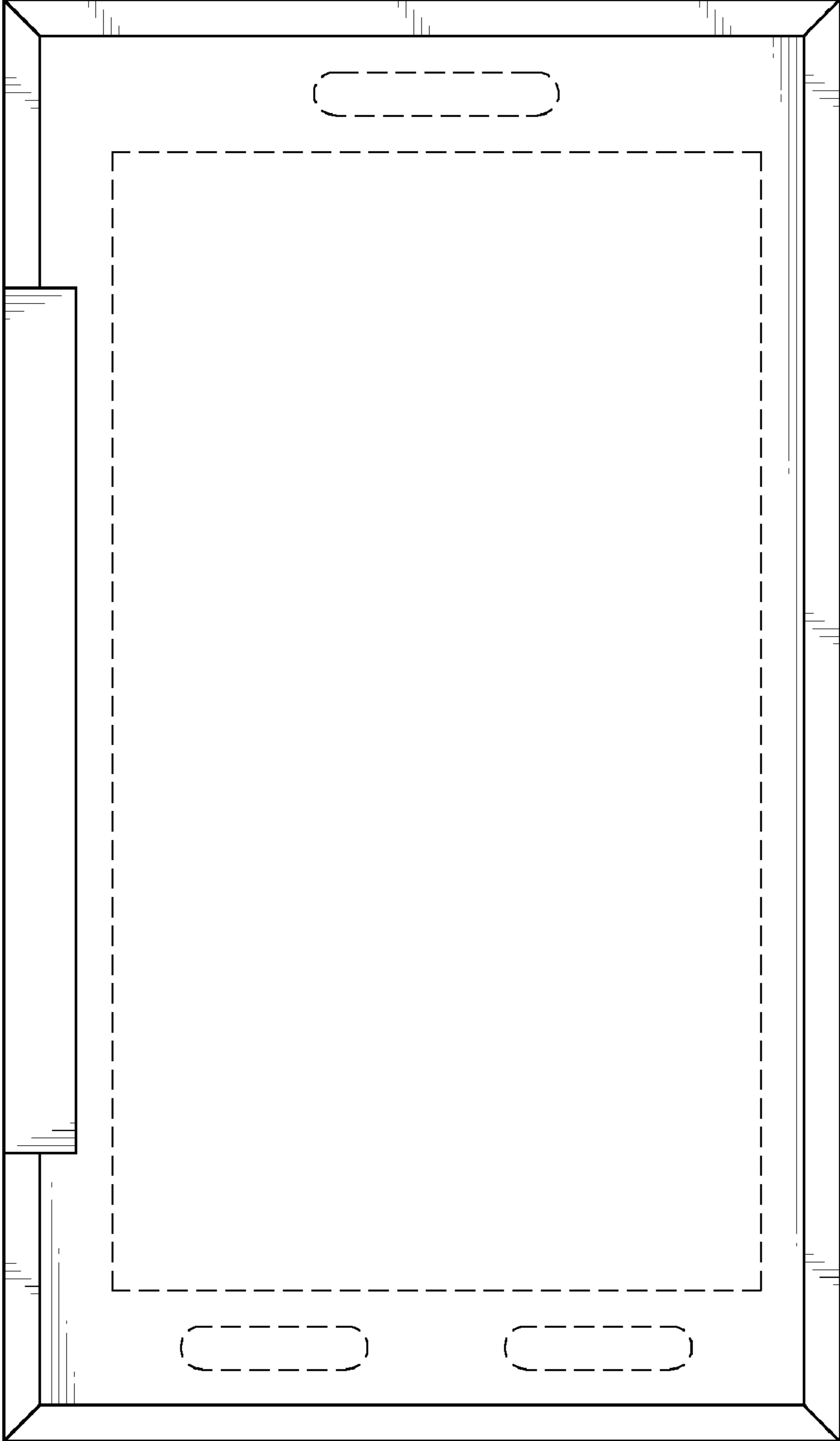


FIG. 2

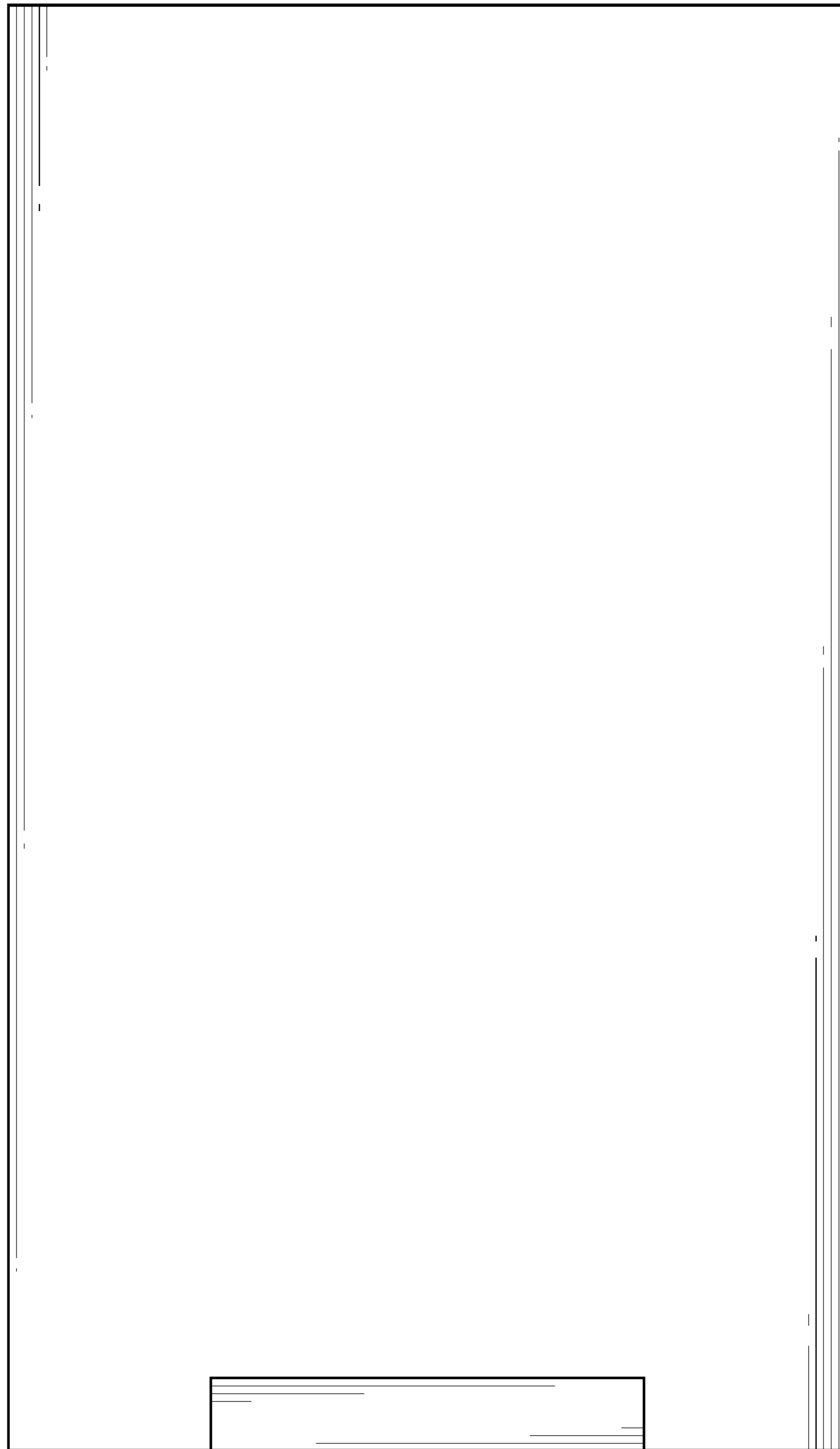


FIG. 3

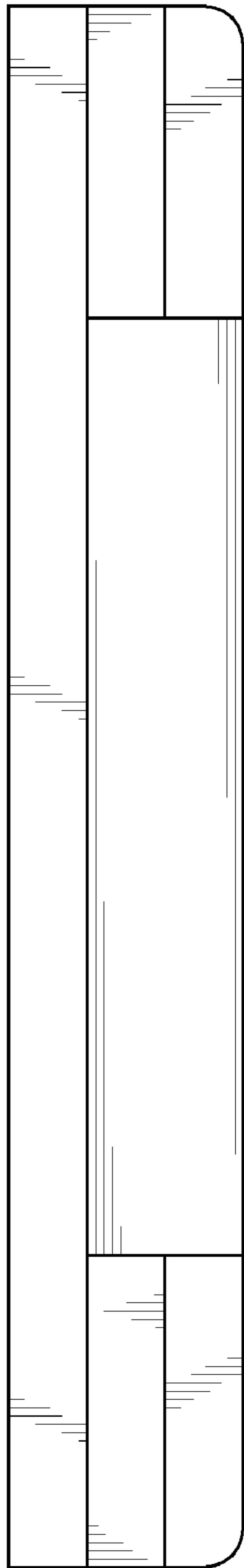


FIG. 4

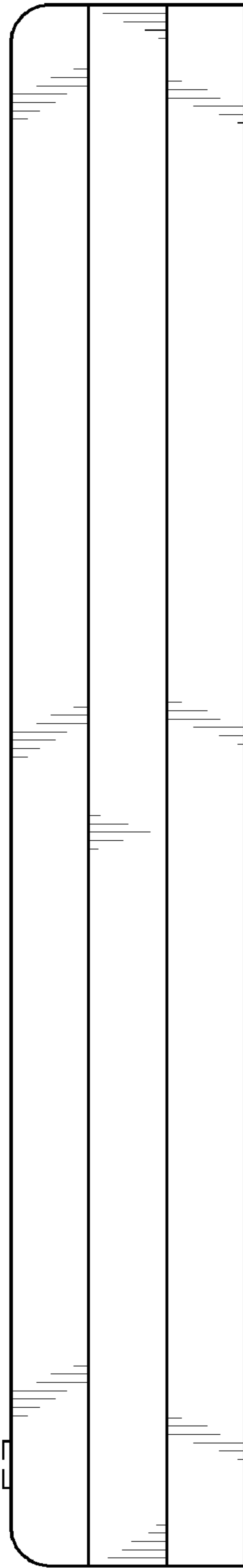


FIG. 5

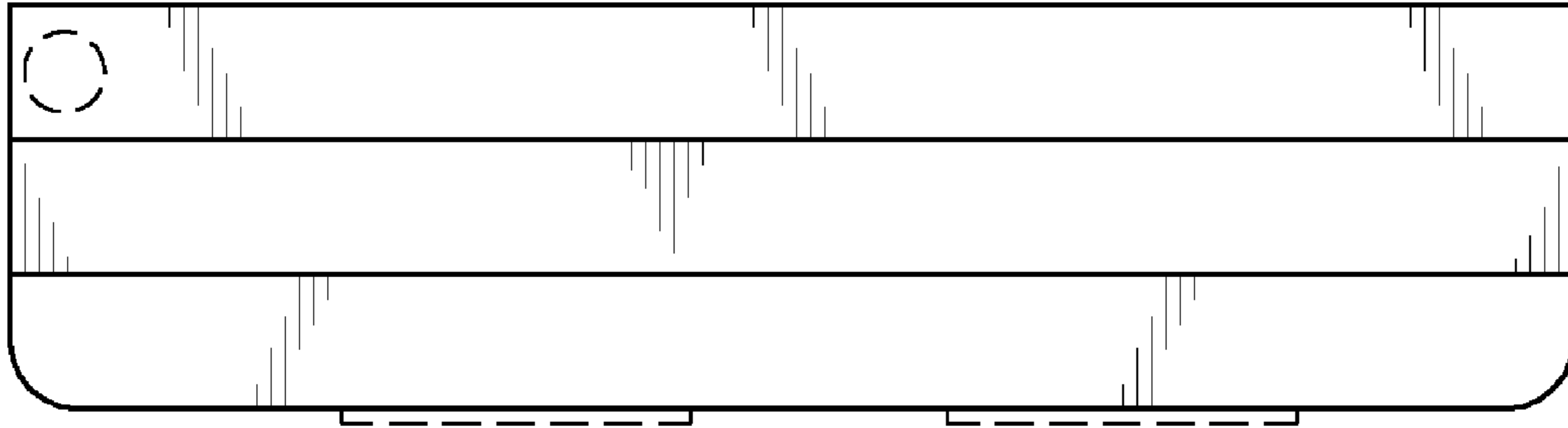


FIG. 6



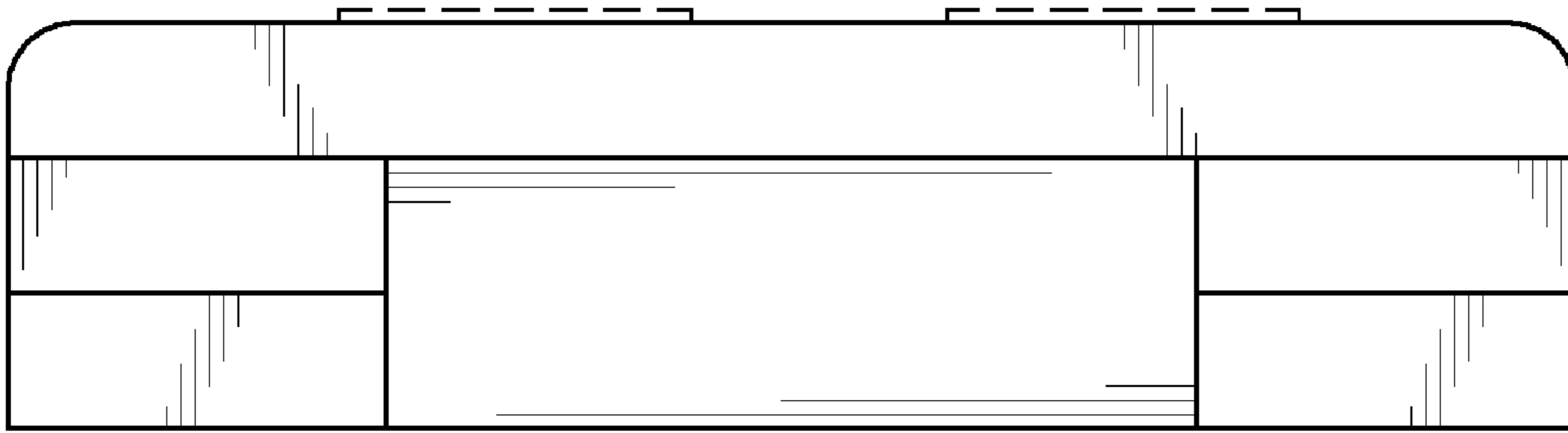


FIG. 7

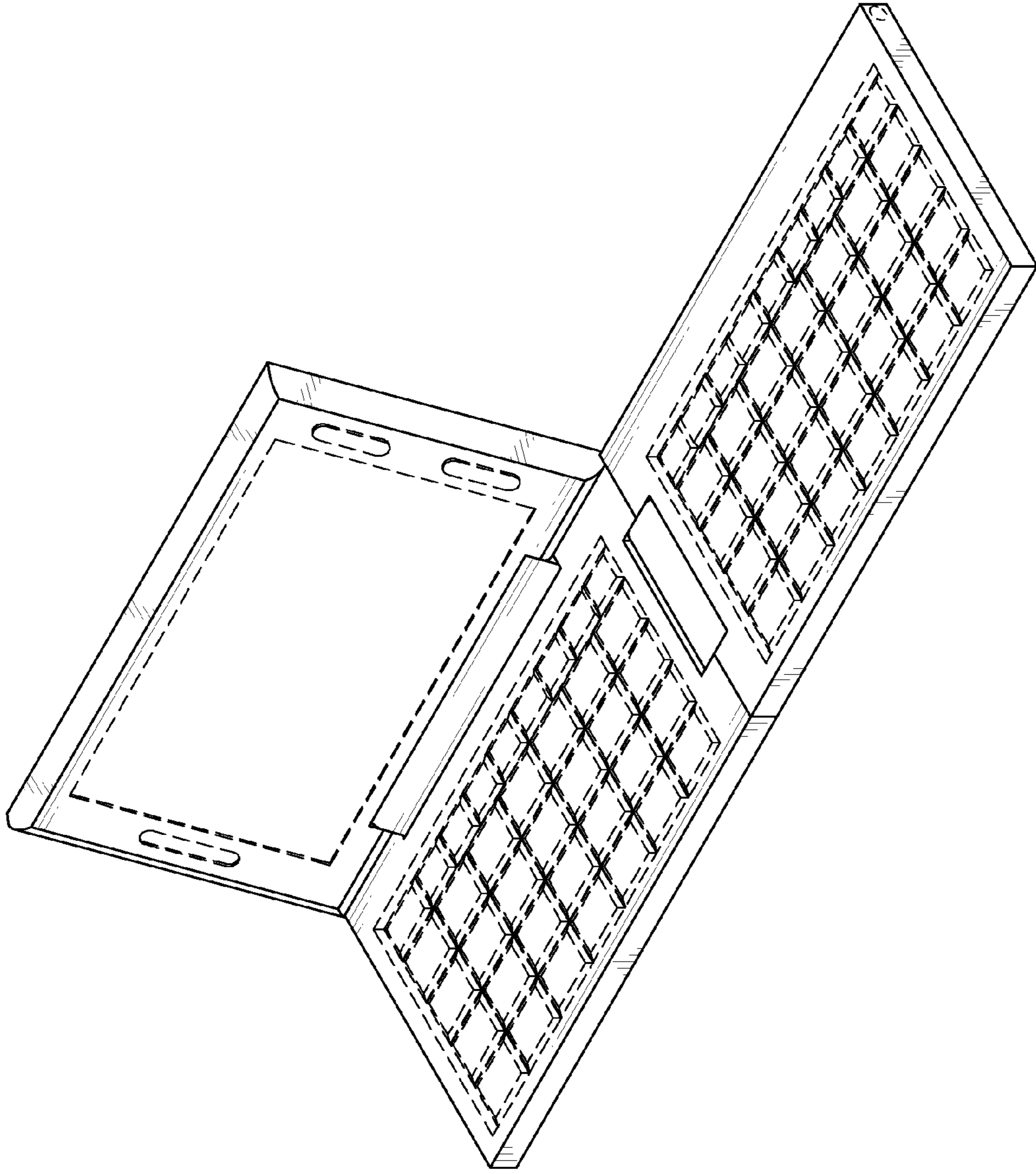


FIG. 8

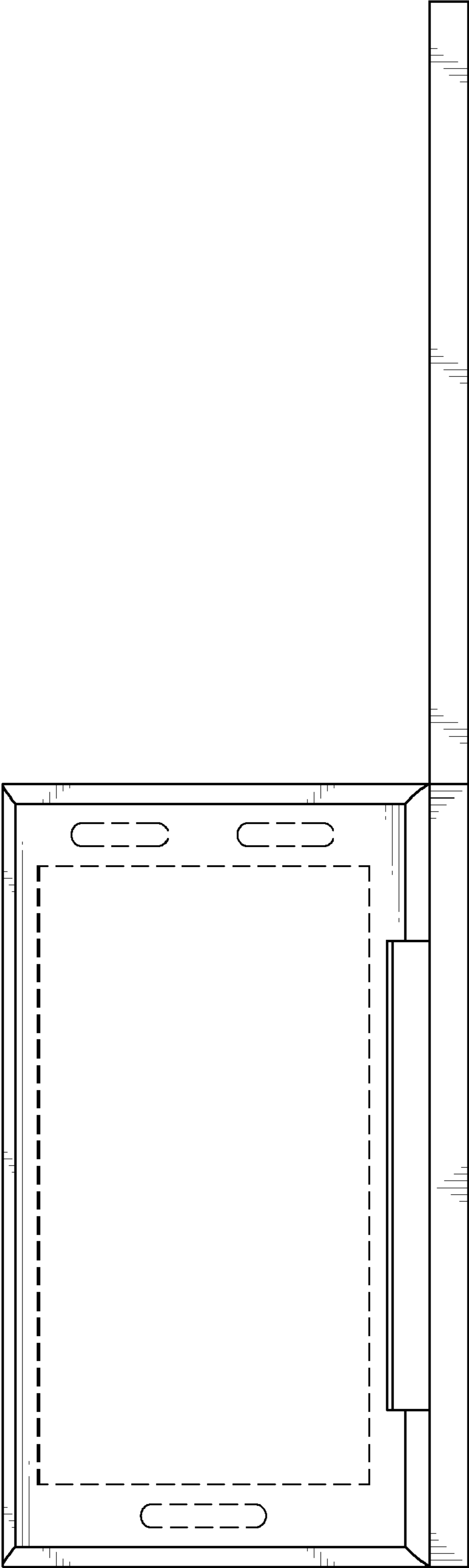


FIG. 9

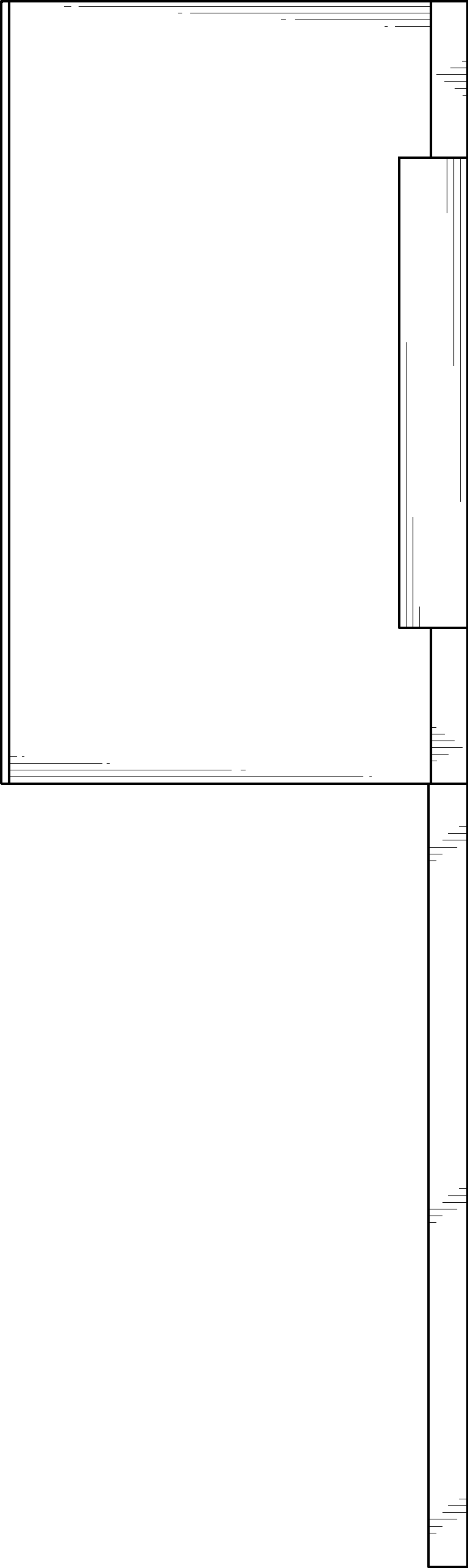


FIG. 10

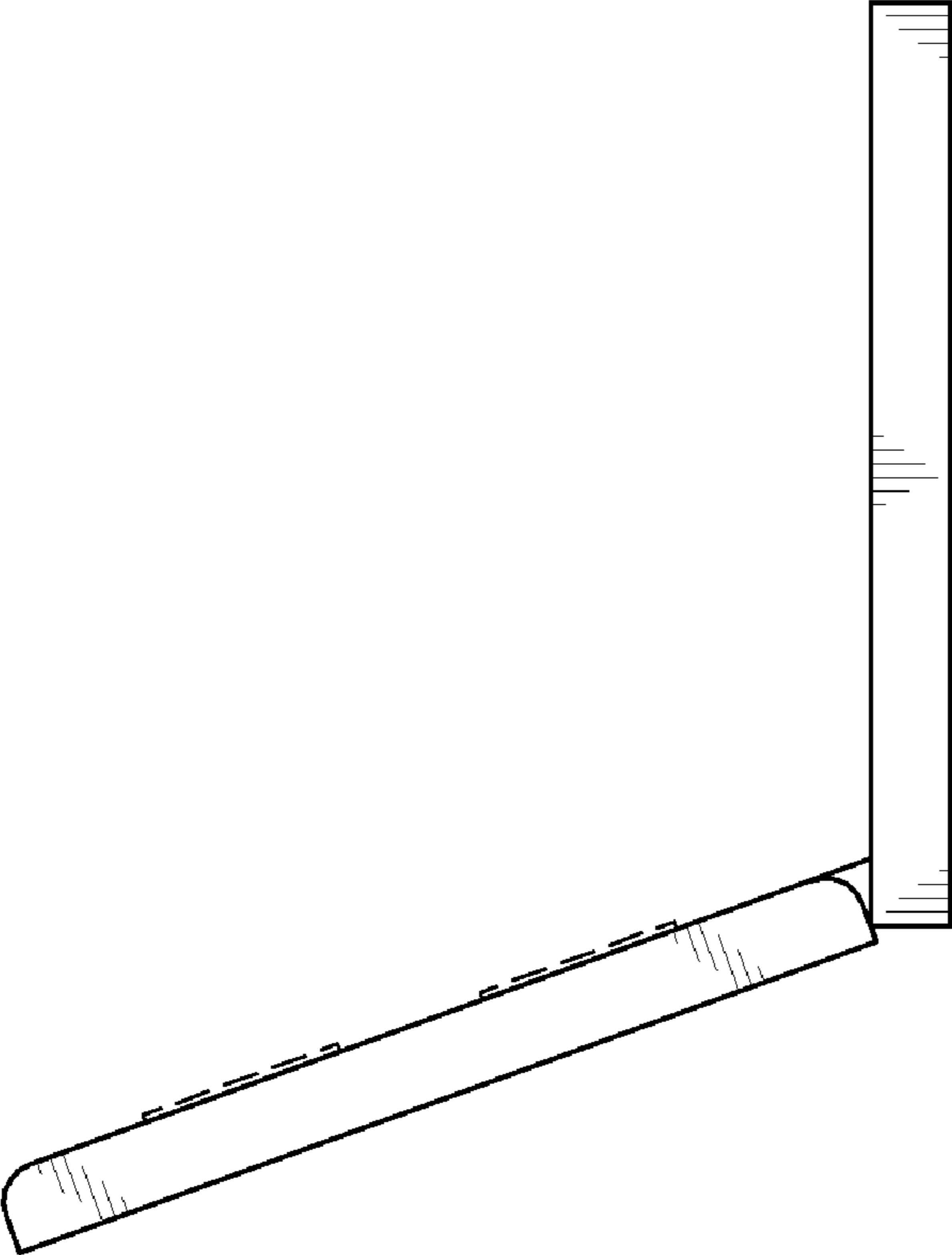


FIG. 11

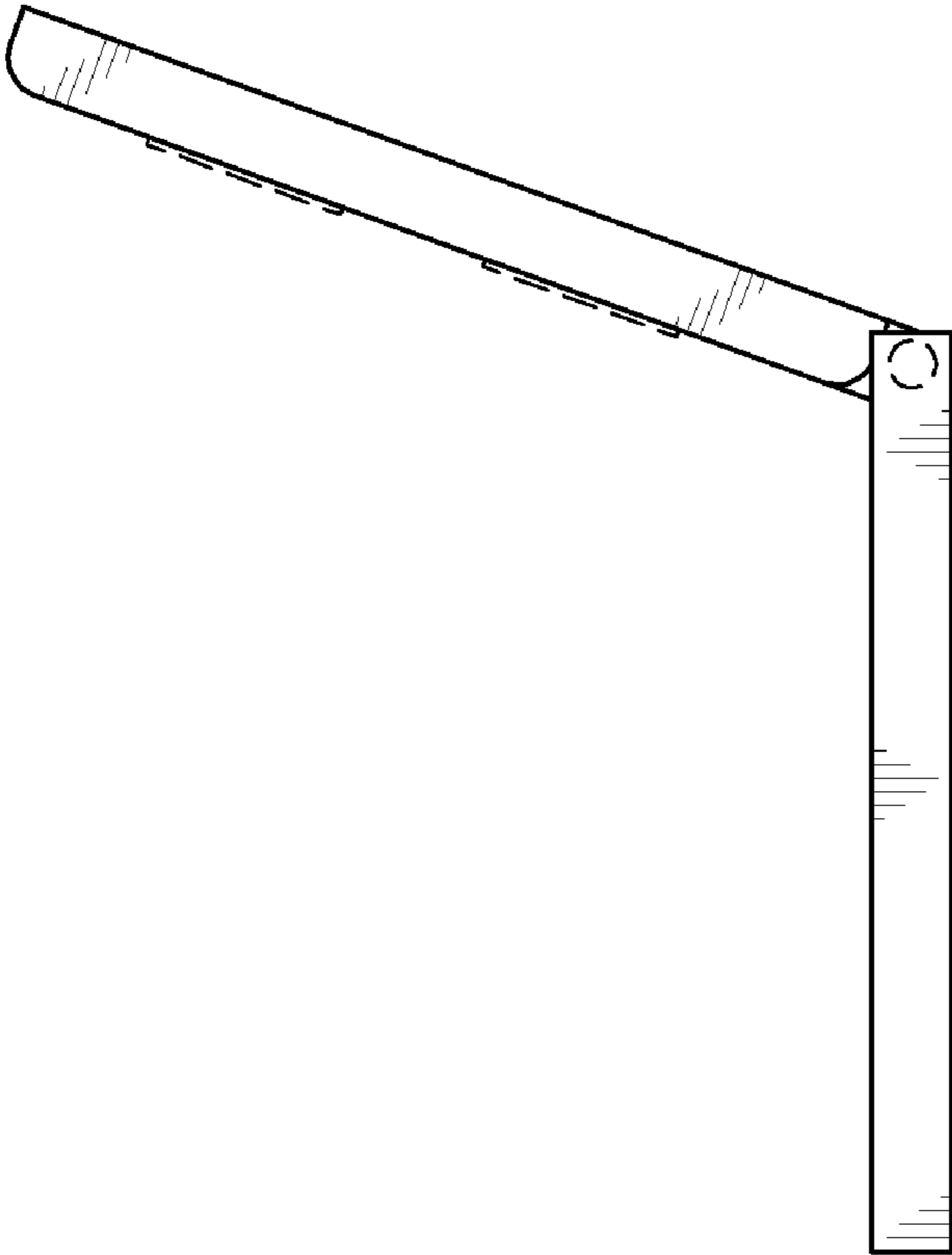


FIG. 12

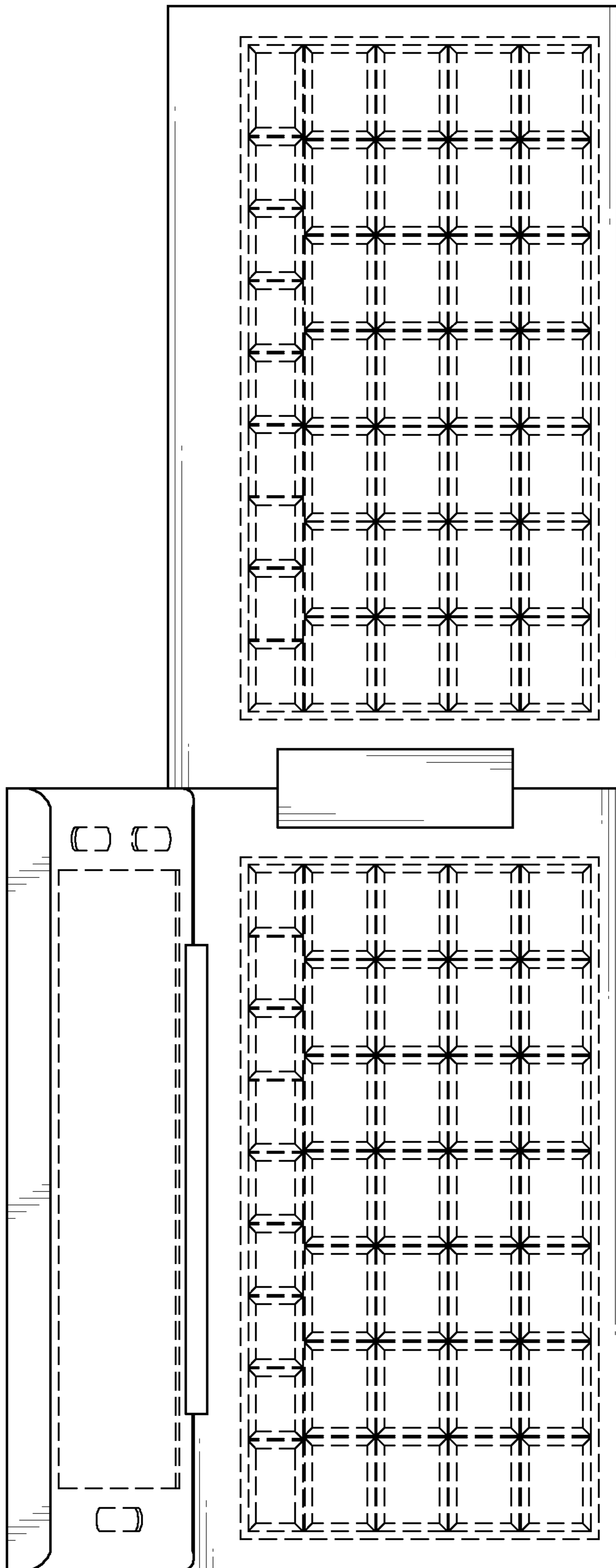


FIG. 13

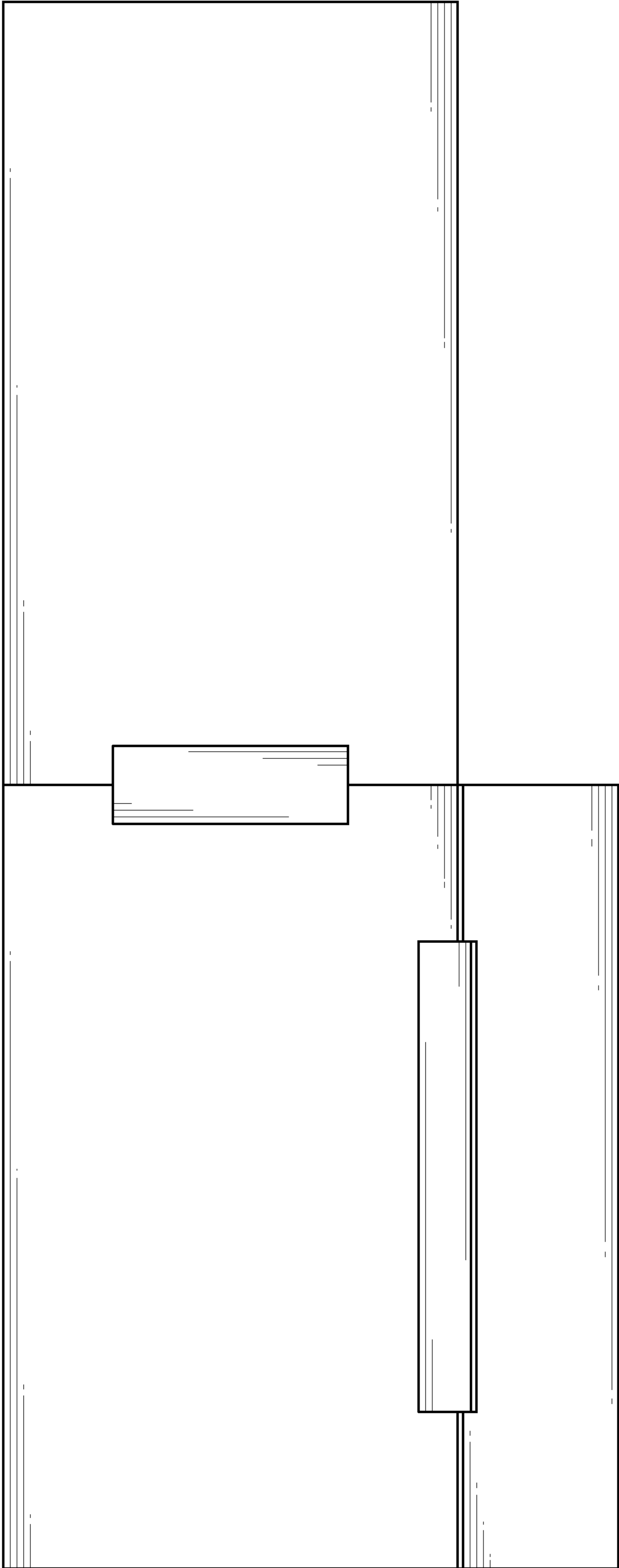


FIG. 14