



US00D630605S

(12) **United States Design Patent**  
**Li**

(10) **Patent No.:** **US D630,605 S**  
(45) **Date of Patent:** **\*\* Jan. 11, 2011**

(54) **MOBILE PHONE**

D601,545 S \* 10/2009 Joseph ..... D14/209.1

(75) Inventor: **Jian-Hui Li**, Shenzhen (CN)

(Continued)

(73) Assignee: **FIH (Hong Kong) Limited**, Kowloon (HK)

FOREIGN PATENT DOCUMENTS

(\*\*) Term: **14 Years**

JP D1267866 4/2006

(21) Appl. No.: **29/353,346**

(Continued)

(22) Filed: **Jan. 7, 2010**

OTHER PUBLICATIONS

(30) **Foreign Application Priority Data**

Samsung P300 telephone, announced 4th quarter 2005, [online], [site visited Aug. 17, 2010]. Available from Internet, <URL: http://www.gsmarena.com>.\*

Dec. 16, 2009 (CN) ..... 2009 3 0329357

*Primary Examiner*—Jeffrey D Asch

(51) **LOC (9) Cl.** ..... **14-03**

(74) *Attorney, Agent, or Firm*—Clifford O. Chi

(52) **U.S. Cl.** ..... **D14/138 AB; D14/138 AA; D14/138 R**

(57) **CLAIM**

(58) **Field of Classification Search** ..... D14/138 AA, D14/496, 341, 345, 346, 203.3, 203.4, 203.7, D14/138 AD, 138 R, 138 AB, 172, 209.1, D14/215; 455/575.1, 556.2, 556.1, 575.3; D21/517; 379/433.01, 433.04, 433.13; 361/679.04, 361/679.56  
See application file for complete search history.

The ornamental design for a mobile phone, as shown and described.

**DESCRIPTION**

(56) **References Cited**

FIG. 1 is a perspective view of a mobile phone showing my new design;

U.S. PATENT DOCUMENTS

FIG. 2 is a front elevational view thereof;

- 5,060,152 A \* 10/1991 Maeser et al. .... 379/93.25
- 6,192,258 B1 \* 2/2001 Kamada et al. .... 455/566
- D462,338 S \* 9/2002 Wong ..... D14/215
- D498,471 S \* 11/2004 Solland et al. .... D14/215
- 7,020,493 B2 \* 3/2006 Ohmura et al. .... 455/566
- 7,095,867 B2 \* 8/2006 Schul et al. .... 381/334
- 7,184,805 B2 \* 2/2007 Cho et al. .... 455/575.4
- D563,371 S \* 3/2008 Kim et al. .... D14/138 AA
- D568,862 S \* 5/2008 Kim et al. .... D14/138 AB
- D569,629 S \* 5/2008 Yu et al. .... D6/308
- D580,409 S \* 11/2008 Chen ..... D14/215
- D588,107 S \* 3/2009 Khoo et al. .... D14/215
- D590,812 S \* 4/2009 Muraoka et al. .... D14/215
- D592,184 S \* 5/2009 Ragde et al. .... D14/214
- D599,761 S 9/2009 Birsal et al.

FIG. 3 is a rear elevational view thereof;

FIG. 4 is a left side elevational view thereof;

FIG. 5 is a right side elevational view thereof;

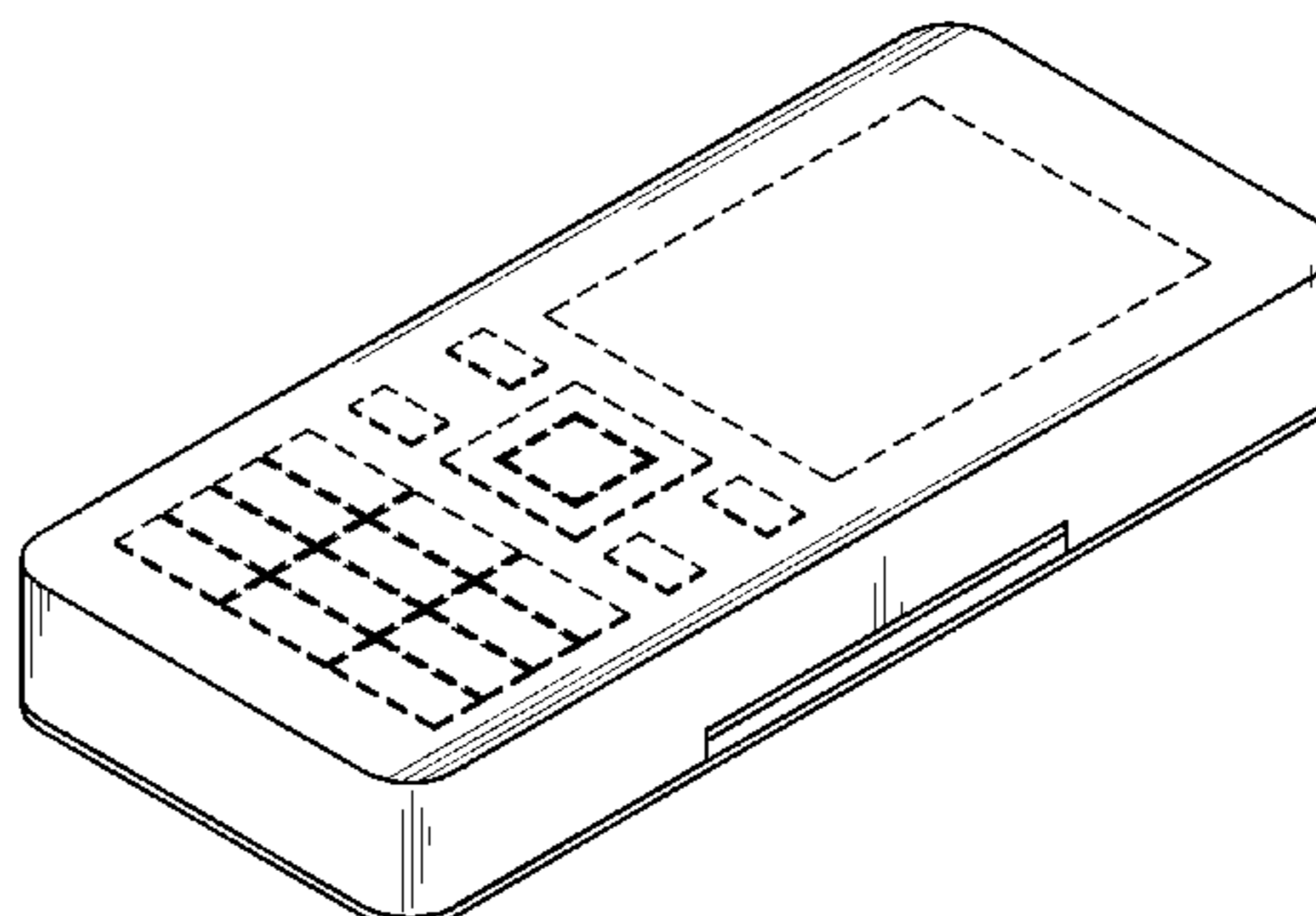
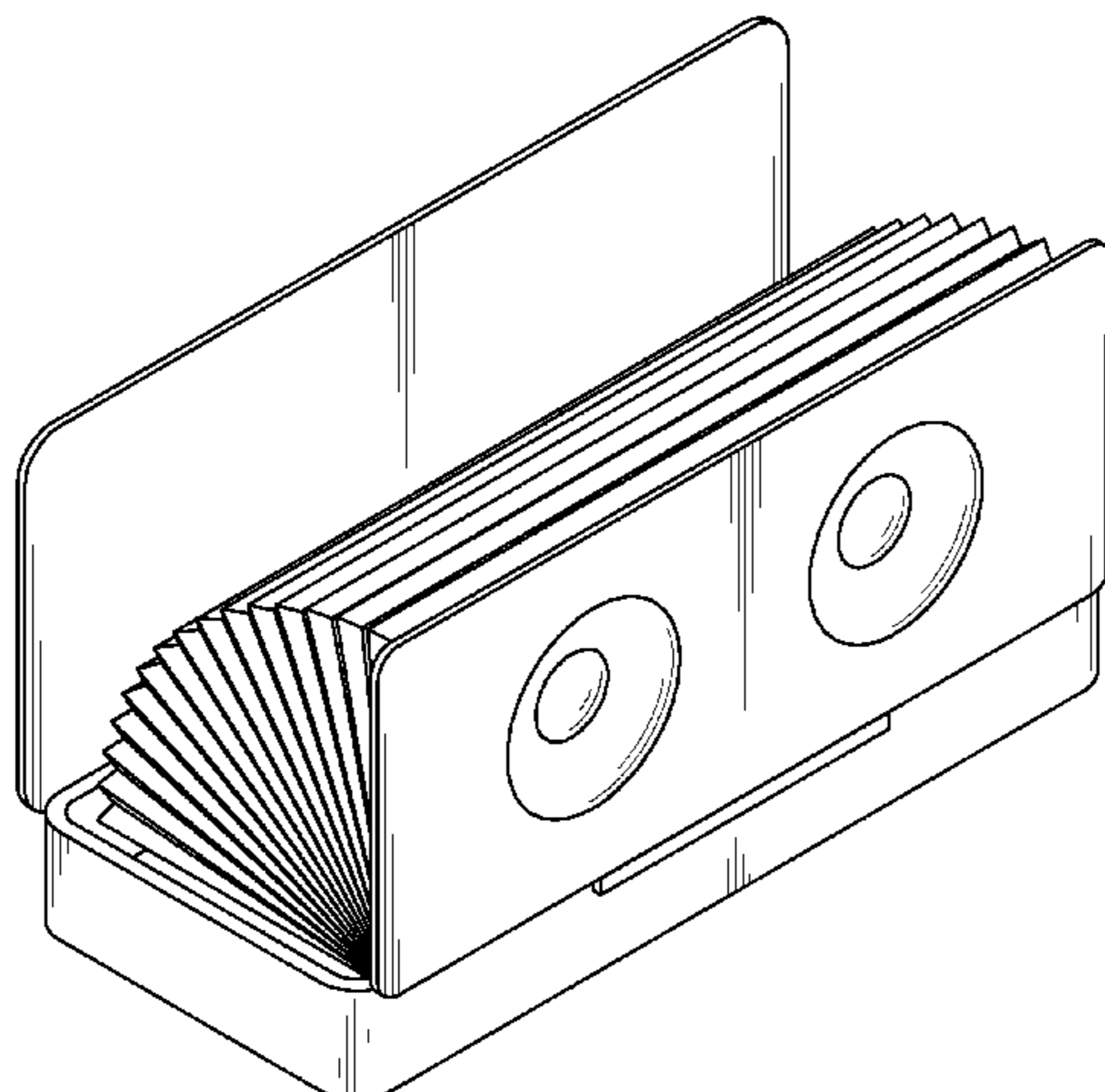
FIG. 6 is a top plan view thereof;

FIG. 7 is a bottom plan view thereof; and,

FIG. 8 is a perspective view of a different state thereof.

The broken lines shown throughout the views, which are immediately adjacent to the shaded areas and define unshaded regions, represent the bounds of the claimed design, while all other broken lines are directed to environment and are for illustrative purposes only; the broken lines form no part of the claimed design.

**1 Claim, 8 Drawing Sheets**



# US D630,605 S

Page 2

## U.S. PATENT DOCUMENTS

D607,864 S \* 1/2010 Zhou et al. .... D14/138 AA  
D608,343 S \* 1/2010 Skurdal ..... D14/209.1  
D608,753 S \* 1/2010 Zhou et al. .... D14/138 AB  
D608,754 S \* 1/2010 Zhou et al. .... D14/138 AA  
D609,696 S \* 2/2010 Martinez et al. .... D14/209.1  
D616,406 S \* 5/2010 Du et al. .... D14/138 AA  
D617,298 S \* 6/2010 Kim et al. .... D14/138 AA  
D617,750 S \* 6/2010 Chen et al. .... D14/138 AA  
D619,118 S \* 7/2010 Joseph ..... D14/209.1  
2004/0058703 A1\* 3/2004 Eromaki et al. .... 455/550.1

2007/0072657 A1\* 3/2007 Hyun et al. .... 455/575.3  
2008/0242359 A1\* 10/2008 Seol et al. .... 455/566  
2009/0051666 A1\* 2/2009 Choi et al. .... 345/173  
2009/0270145 A1\* 10/2009 Yang et al. .... 455/575.3  
2010/0016036 A1\* 1/2010 Urushihara et al. .... 455/575.1  
2010/0177036 A1\* 7/2010 Nam ..... 345/156

## FOREIGN PATENT DOCUMENTS

TW D133106 1/2010

\* cited by examiner

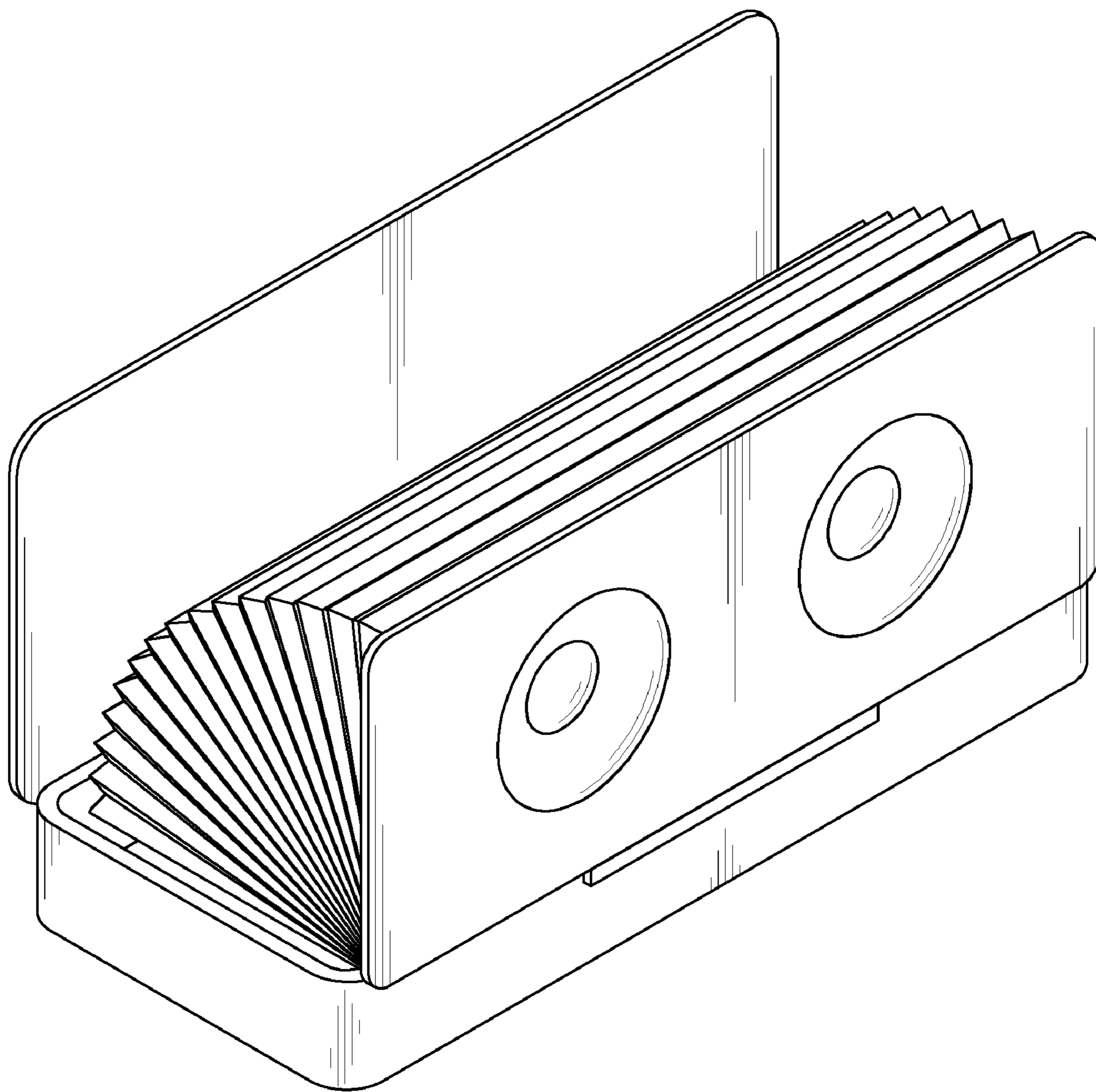


FIG. 1

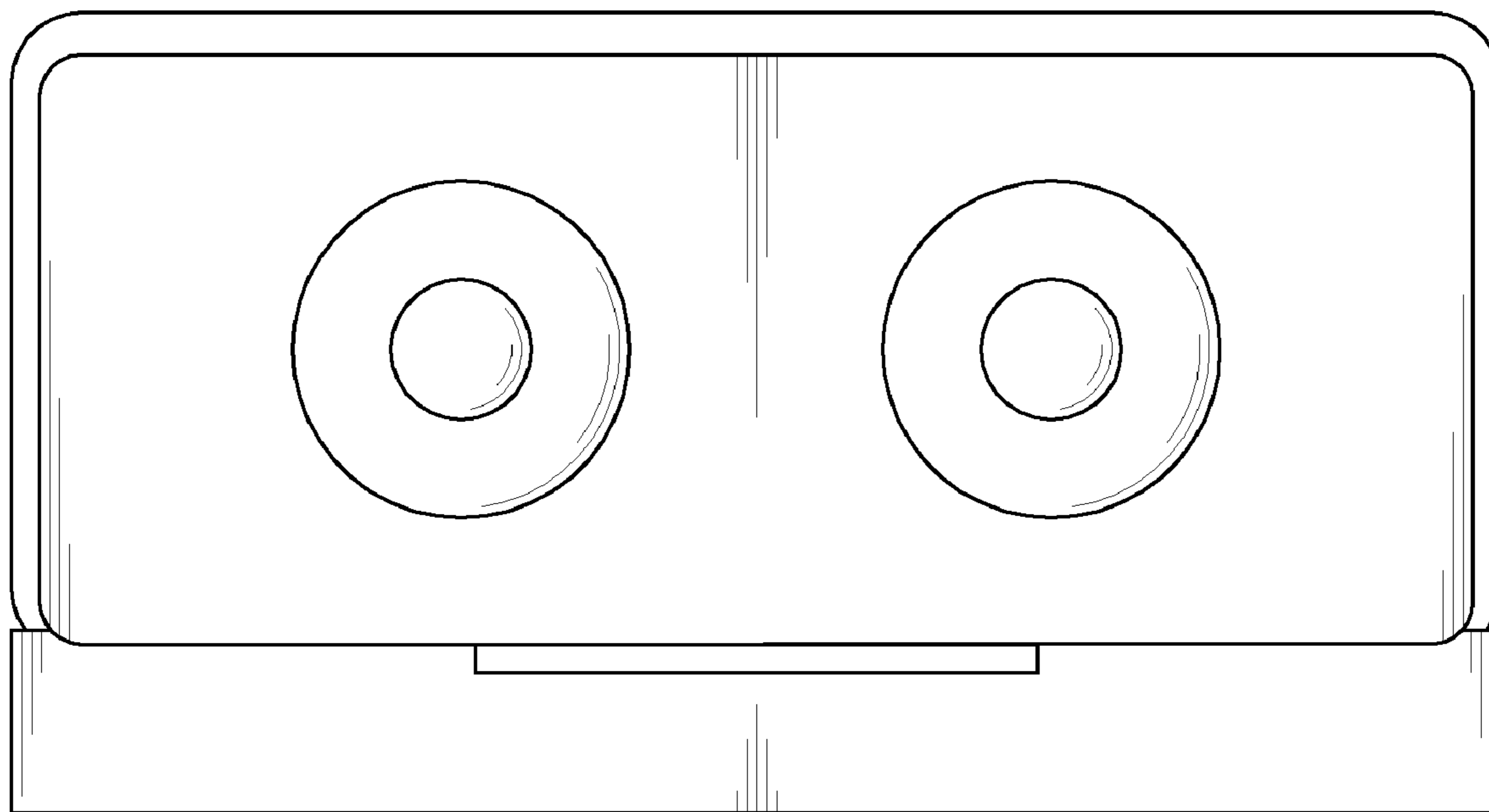


FIG. 2

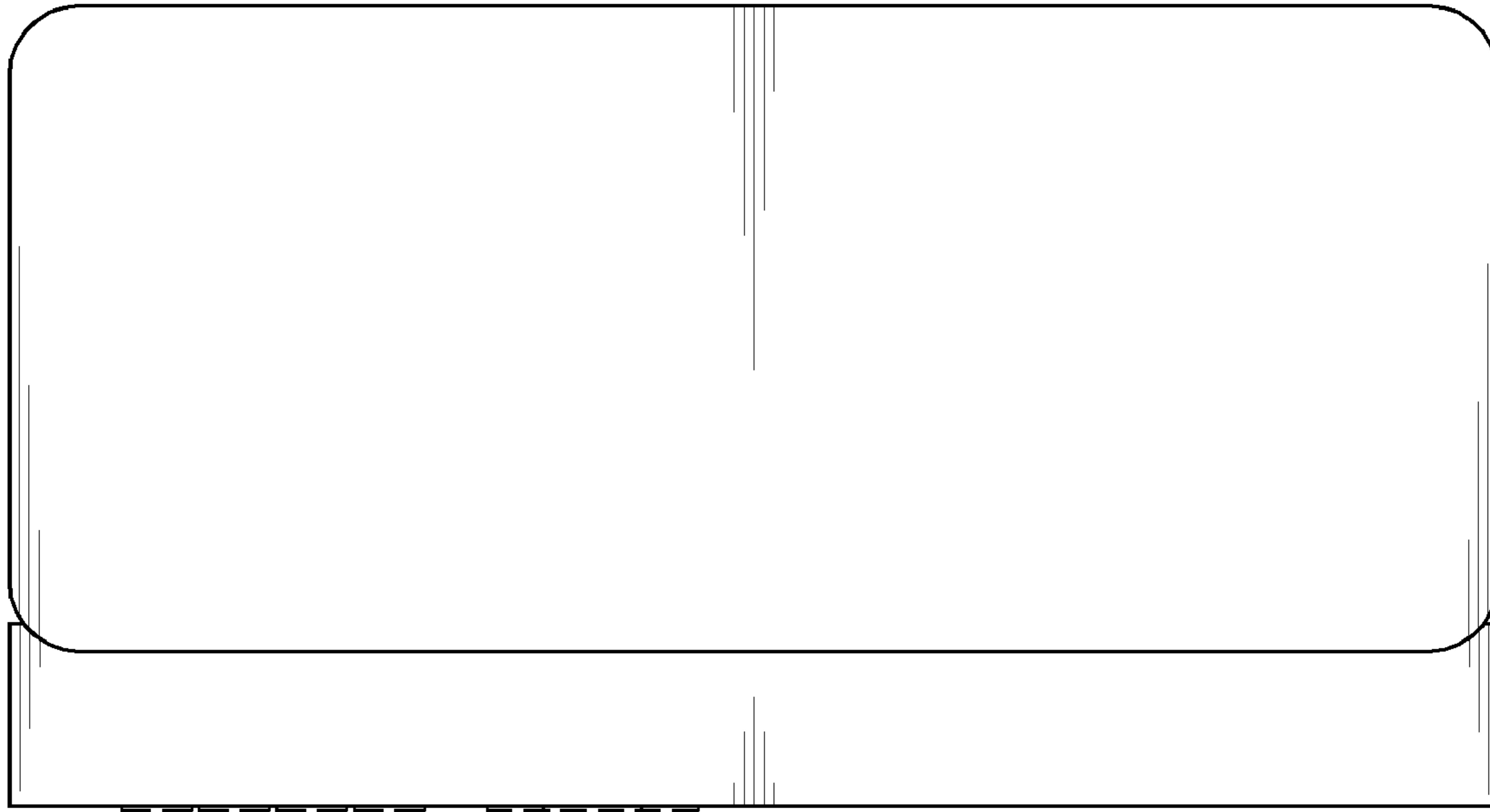


FIG. 3

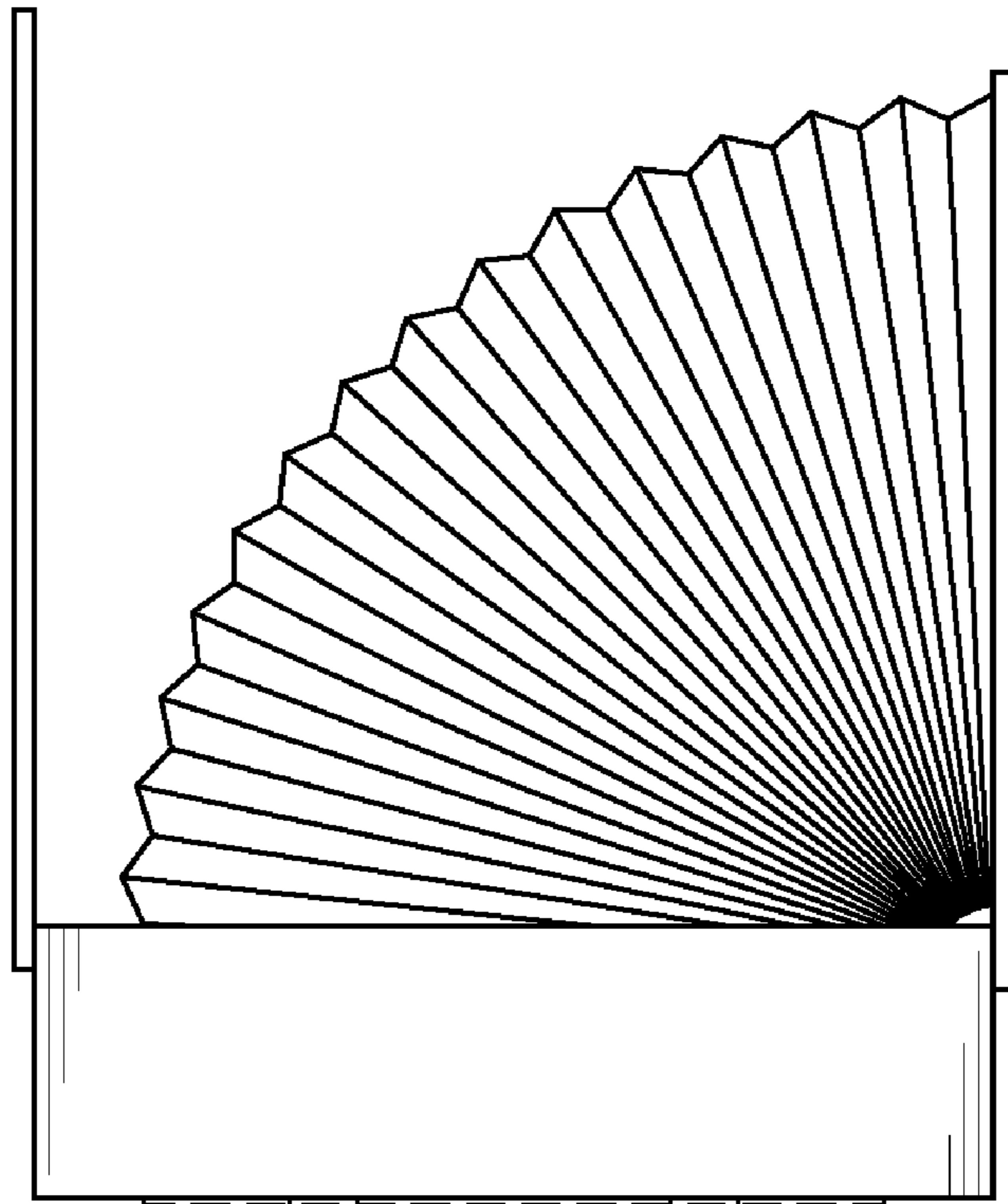


FIG. 4

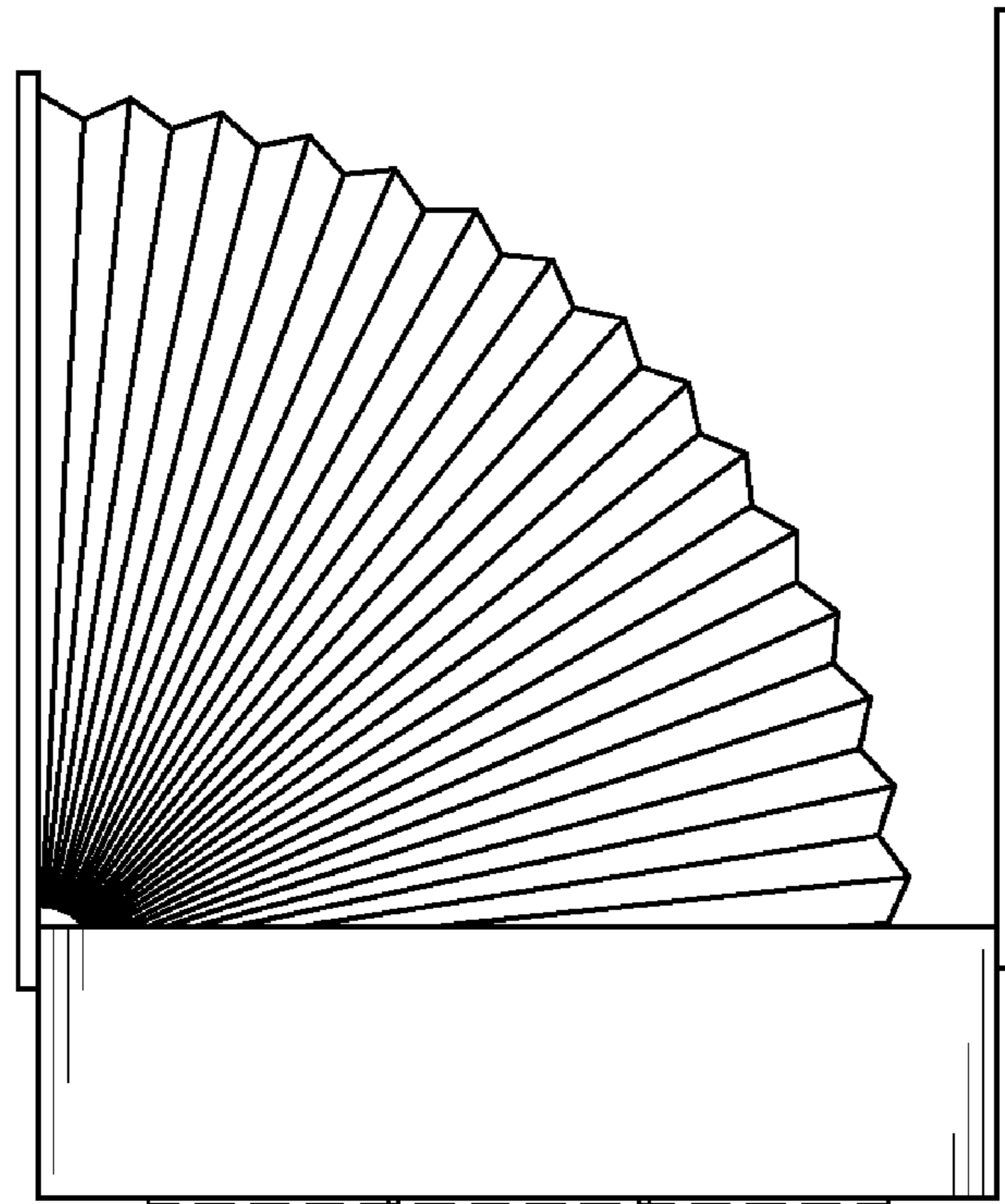


FIG. 5

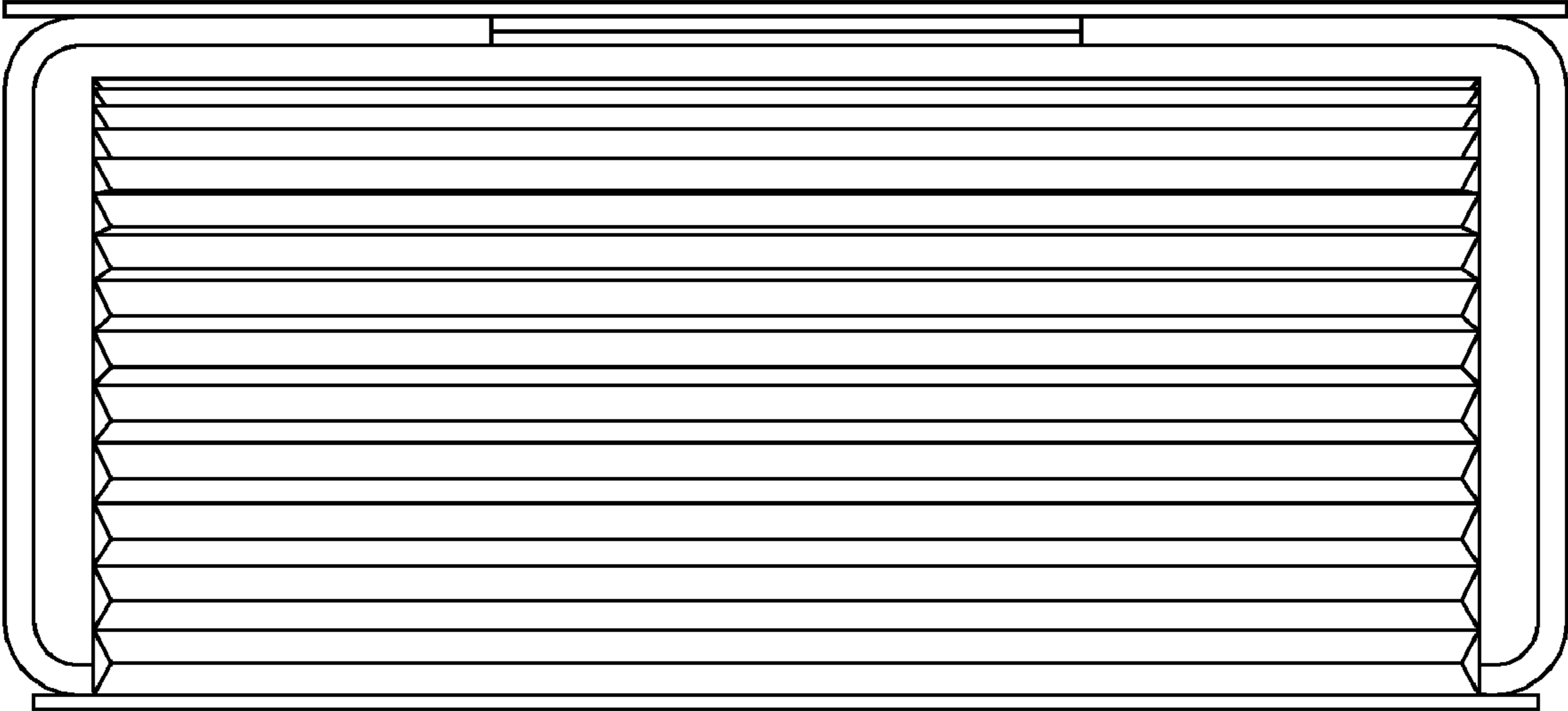


FIG. 6



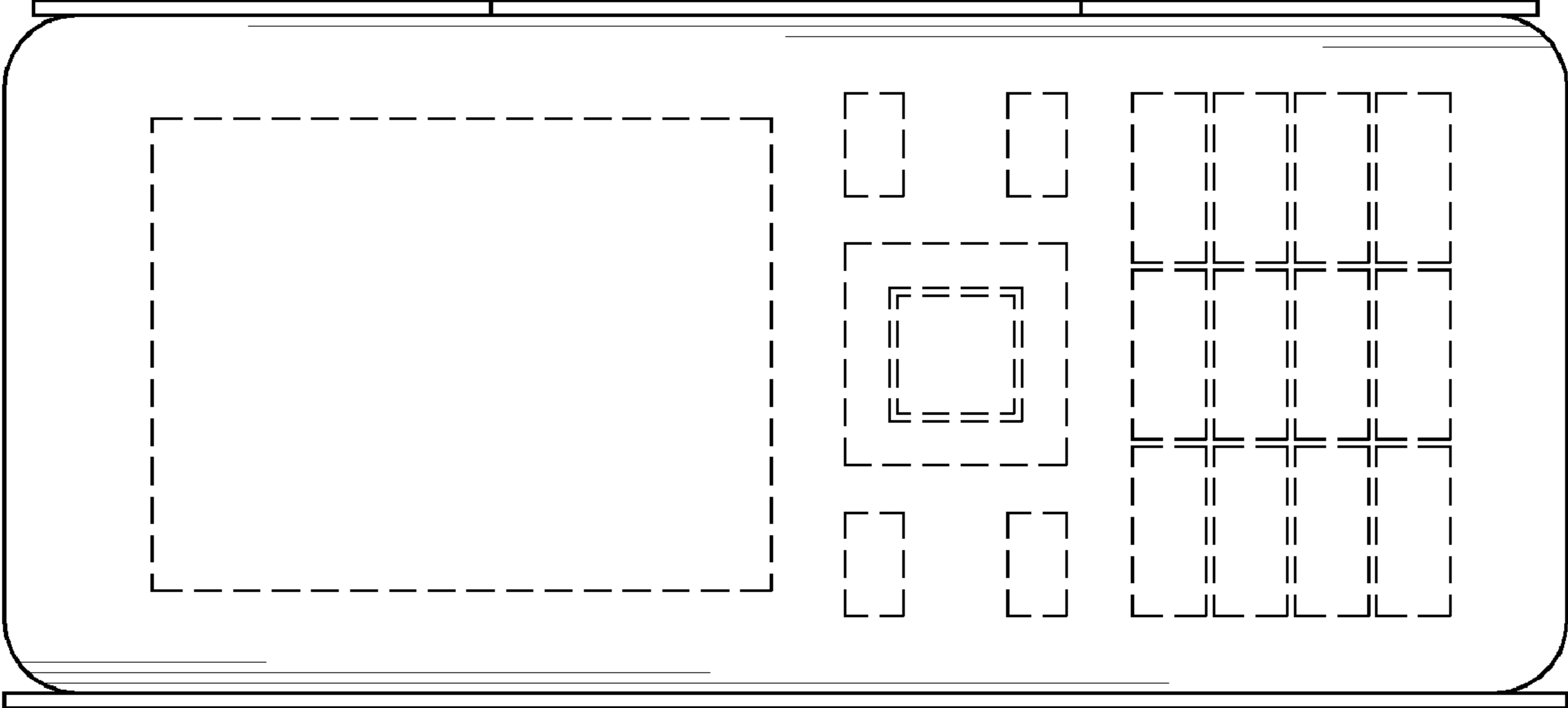


FIG. 7

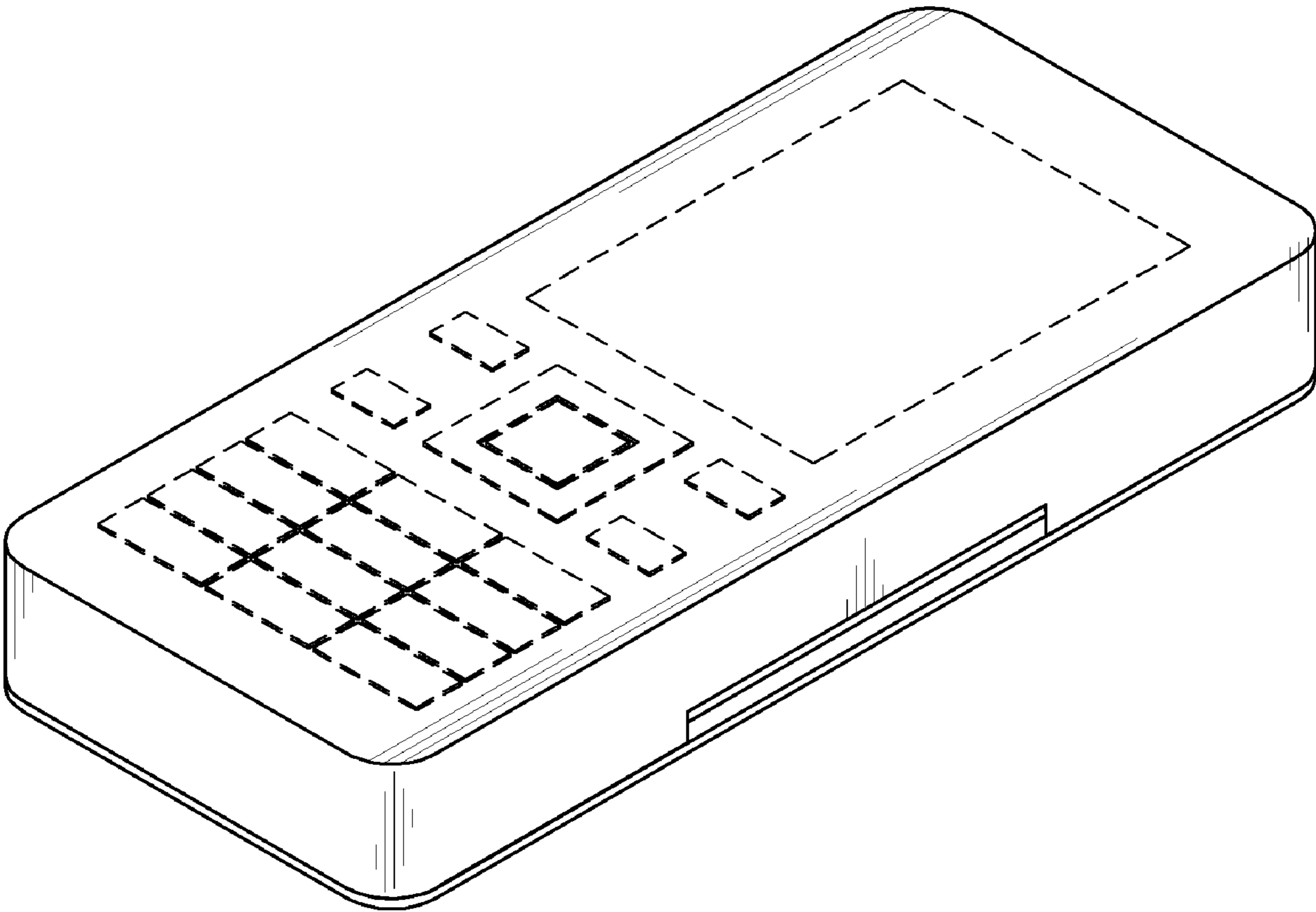


FIG. 8