



US00D630604S

(12) **United States Design Patent**
Hirano et al.

(10) **Patent No.:** **US D630,604 S**
(45) **Date of Patent:** **** Jan. 11, 2011**

(54) **MOBILE PHONE**

(75) Inventors: **Shinsaku Hirano**, Lund (SE); **Daniel Mauritzson**, Malmo (SE)

(73) Assignee: **Sony Ericsson Mobile Communications AB**, Lund (SE)

(**) Term: **14 Years**

(21) Appl. No.: **29/352,531**

(22) Filed: **Dec. 22, 2009**

(30) **Foreign Application Priority Data**

Jun. 24, 2009 (EM) 001147979-0001
Jun. 24, 2009 (EM) 001147979-0002
Jun. 24, 2009 (EM) 001147979-0003

(51) **LOC (9) Cl.** **14-03**

(52) **U.S. Cl.** **D14/138 AA**

(58) **Field of Classification Search** D14/138 AA,
D14/496, 341, 345, 346, 203.3, 203.4, 203.7,
D14/138 AD, 138 R, 147, 148, 218, 137;
455/575.1, 556.2, 575.3, 575.4; D21/517;
379/433.01, 433.04; D13/168

See application file for complete search history.

(56) **References Cited**

U.S. PATENT DOCUMENTS

D513,011 S * 12/2005 Johnson D14/203.7
D515,541 S * 2/2006 Jensfelt D14/138 AA
D533,876 S * 12/2006 Kim D14/203.7
D539,815 S * 4/2007 Lai et al. D14/203.7
D544,852 S * 6/2007 Takamori et al. D14/138 AA
D546,806 S * 7/2007 Cho et al. D14/138 AA
D553,273 S * 10/2007 Jim et al. D26/37
D555,624 S * 11/2007 Lee et al. D14/138 AA
D556,172 S * 11/2007 Jung et al. D14/138 AA
D561,729 S * 2/2008 Kim et al. D14/138 AA
D562,286 S * 2/2008 Lim et al. D14/138 AA
D567,206 S * 4/2008 Daley et al. D14/138 AD
D574,808 S * 8/2008 Shintani D14/138 AA
D577,351 S * 9/2008 Kim et al. D14/138 AA

D587,234 S * 2/2009 Kim et al. D14/138 AD
D591,259 S * 4/2009 Choi et al. D14/138 AB
D595,282 S * 6/2009 Kitade et al. D14/248
D597,114 S * 7/2009 Yip et al. D16/135
D607,863 S * 1/2010 Bang et al. D14/138 AA
D608,318 S * 1/2010 Kim D14/138 AD
D608,323 S * 1/2010 Hayahsi et al. D14/138 AA
D616,406 S * 5/2010 Du et al. D14/138 AA
D616,847 S * 6/2010 Armani D14/138 AA
D621,379 S * 8/2010 Song et al. D14/138 R
2008/0020811 A1 * 1/2008 Lim et al. 455/575.1
2008/0039156 A1 * 2/2008 Lee et al. 455/575.1
2009/0170576 A1 * 7/2009 Minamide et al. 455/575.4

OTHER PUBLICATIONS

Sony Ericsson XPERIA Pureness telephone, announced Nov. 2009, [online], [site visited Sep. 22, 2010]. Available from Internet, <URL: <http://www.gsmarena.com>>.*

Alcatel OT-E801 telephone, announced Feb. 2006, [online], [site visited Sep. 22, 2010]. Available from Internet, <URL: <http://www.gsmarena.com>>.*

(Continued)

Primary Examiner—Jeffrey D Asch

(74) *Attorney, Agent, or Firm*—Myers Bigel Sibley & Sajovec

(57) **CLAIM**

The ornamental design for mobile phone, as shown and described.

DESCRIPTION

FIG. 1 is a front perspective view of a mobile phone showing our design;

FIG. 2 is a front view thereof;

FIG. 3 is a back view thereof;

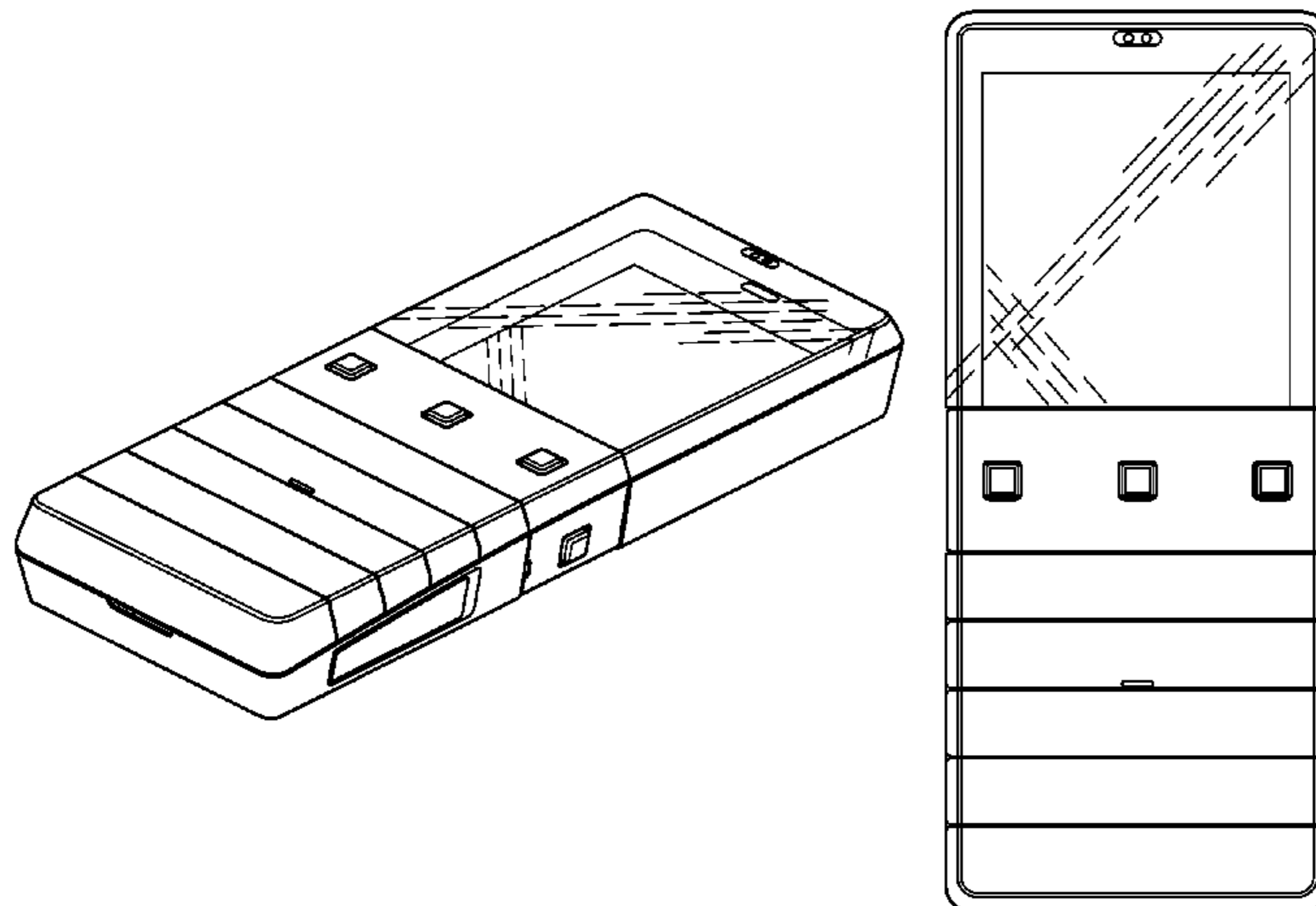
FIG. 4 is a side view thereof;

FIG. 5 is an opposing side view thereof;

FIG. 6 is a bottom end view thereof; and,

FIG. 7 is a top end view thereof.

1 Claim, 2 Drawing Sheets



OTHER PUBLICATIONS

Philips Xenium 9@9a telephone, announced Mar. 2006, [online], [site visited Sep. 22, 2010]. Available from Internet, <URL: <http://www.gsmarena.com>>.*

Sony Ericsson V600 telephone, announced Jun. 2005, [online], [site visited Sep. 22, 2010]. Available from Internet, <URL: <http://www.gsmarena.com>>.*

* cited by examiner

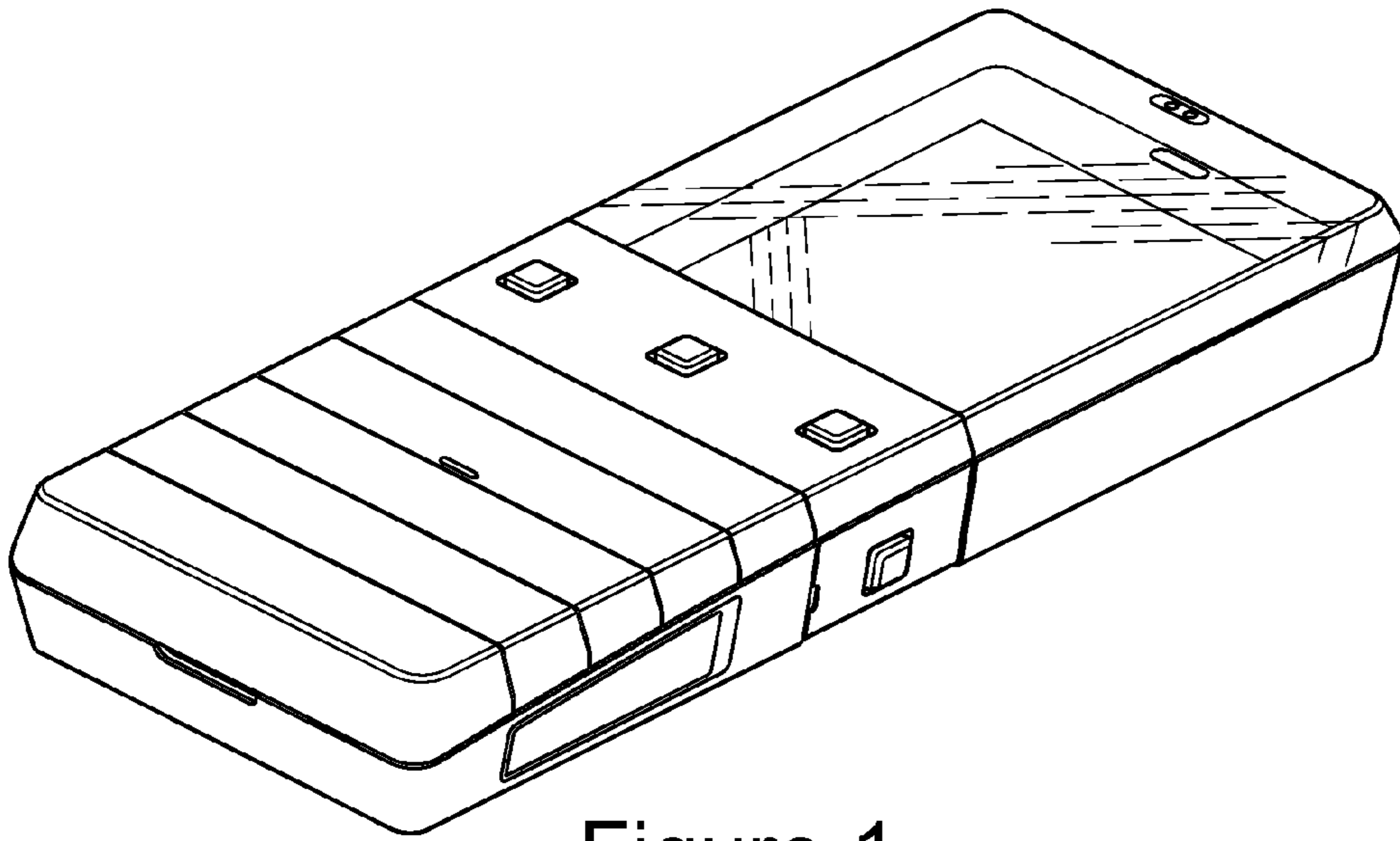


Figure 1

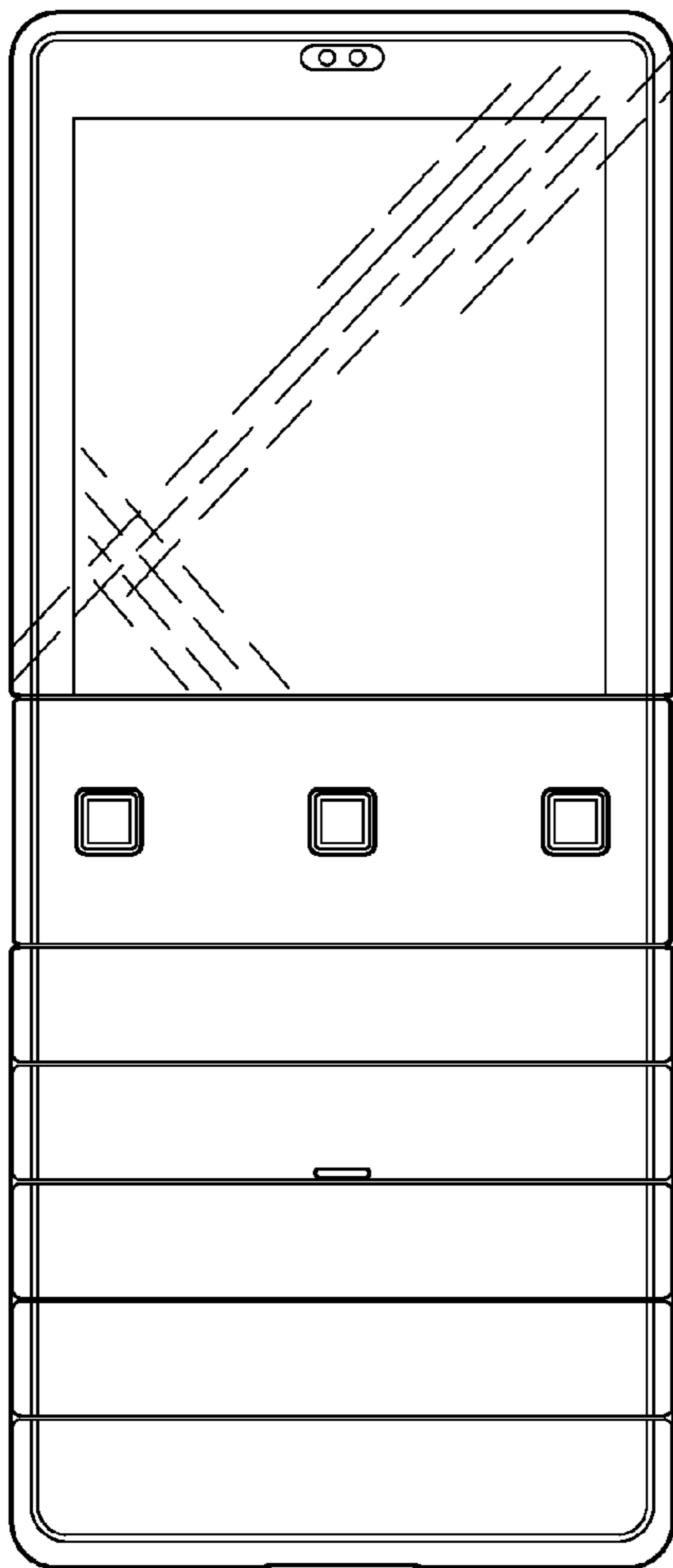


Figure 2

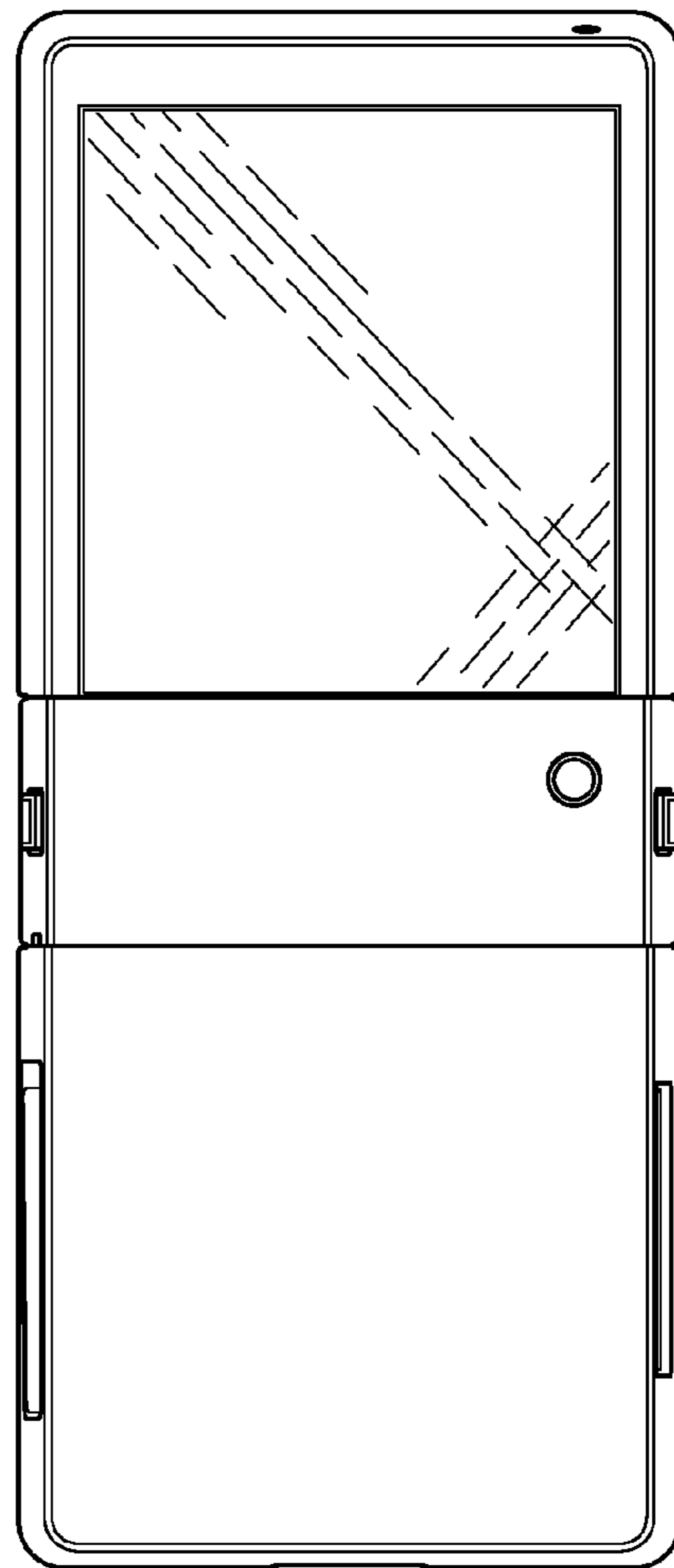


Figure 3

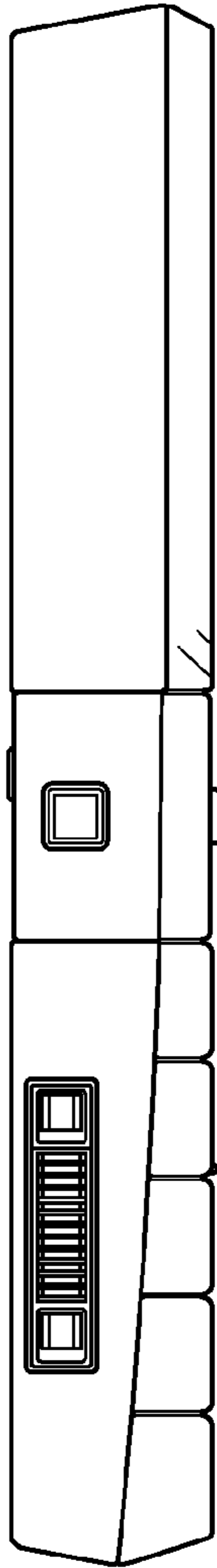


Figure 4

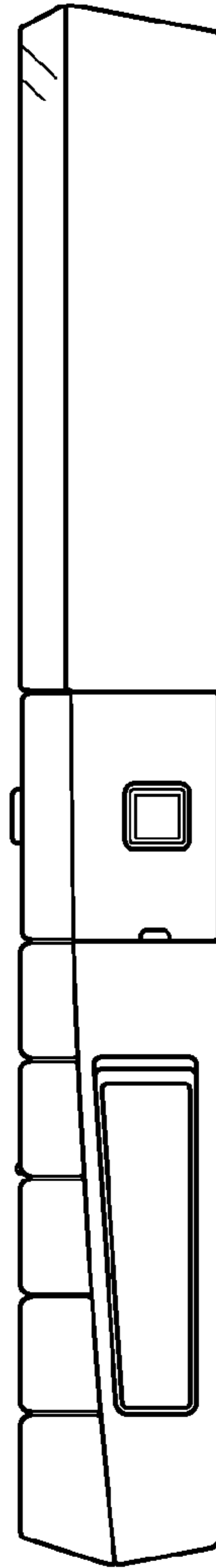


Figure 5

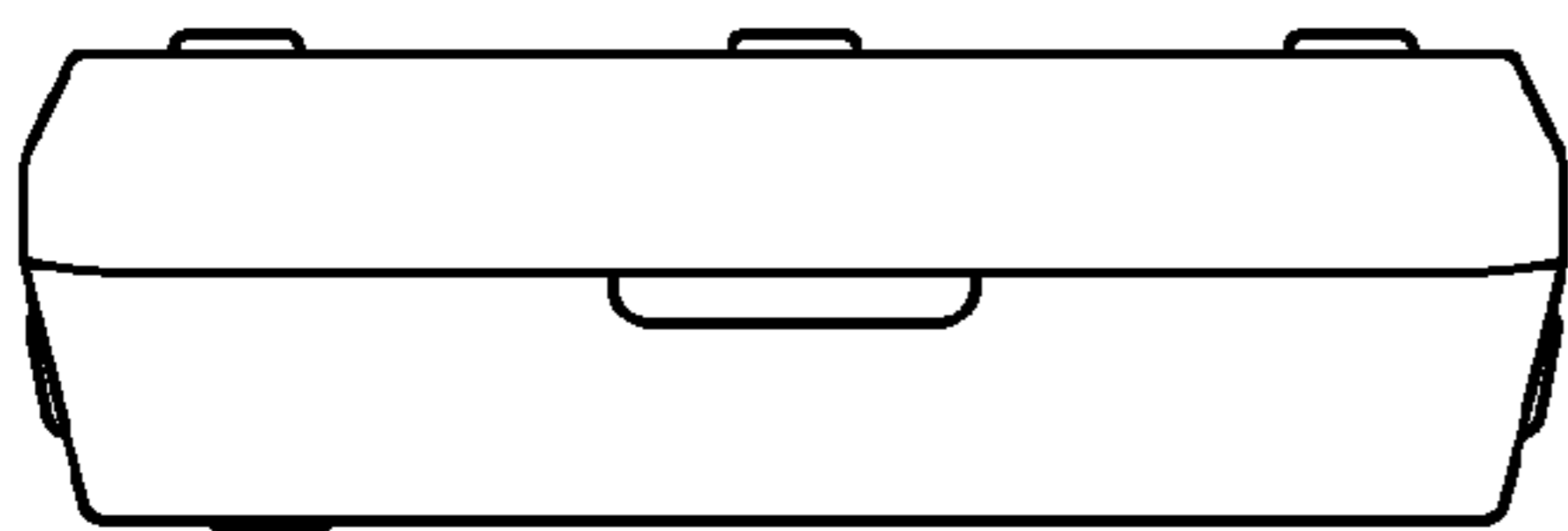


Figure 6

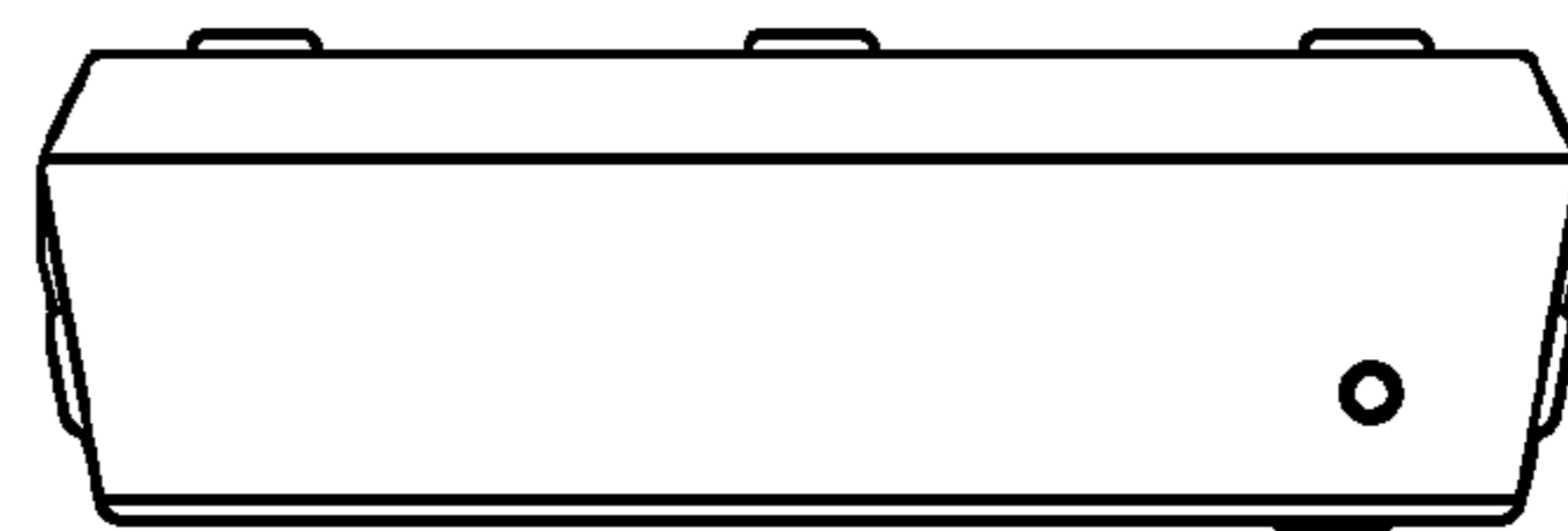


Figure 7