



US00D630597S

(12) **United States Design Patent**
Ono

(10) **Patent No.:** **US D630,597 S**

(45) **Date of Patent:** **** Jan. 11, 2011**

(54) **CRYSTAL UNIT**

(75) **Inventor:** **Kozo Ono**, Saitama (JP)

(73) **Assignee:** **Nihon Dempa Kogyo Co., Ltd.**, Tokyo (JP)

(**) **Term:** **14 Years**

(21) **Appl. No.:** **29/313,711**

(22) **Filed:** **Feb. 4, 2009**

(51) **LOC (9) Cl.** **13-03**

(52) **U.S. Cl.** **D13/182**

(58) **Field of Classification Search** D13/180,
D13/182, 184, 199; 310/344, 348, 365
See application file for complete search history.

(56) **References Cited**

U.S. PATENT DOCUMENTS

4,471,259	A *	9/1984	Stoermer et al.	310/353
5,449,965	A *	9/1995	Tsuru	310/351
5,596,243	A *	1/1997	Tsuru et al.	310/348
6,229,249	B1 *	5/2001	Hatanaka et al.	310/348
6,833,654	B2 *	12/2004	Rubach	310/344
7,135,810	B2 *	11/2006	Okajima	310/348
7,429,759	B2 *	9/2008	Isokawa	257/100

7,521,843	B2 *	4/2009	Naruse	310/344
7,557,493	B2 *	7/2009	Fujimoto	310/349
7,564,177	B2 *	7/2009	Yoshimatsu et al.	310/365
2002/0123163	A1 *	9/2002	Fujii	438/26

* cited by examiner

Primary Examiner—Selina Sikder

(74) *Attorney, Agent, or Firm*—Edwards Angell Palmer & Dodge LLP; Scott D. Wofsy, Esq.; Brian R. Pollack, Esq.

(57) **CLAIM**

The ornamental design for a crystal unit, as shown and described.

DESCRIPTION

FIG. 1 is a perspective view from the top of a crystal unit of a new design;

FIG. 2 is a perspective view from the bottom thereof;

FIG. 3 is a front view thereof;

FIG. 4 is a plan view thereof;

FIG. 5 is a bottom plan view thereof;

FIG. 6 is a left side view thereof; and,

FIG. 7 is a sectional view taken along line 7—7 in FIG. 4.

1 Claim, 4 Drawing Sheets

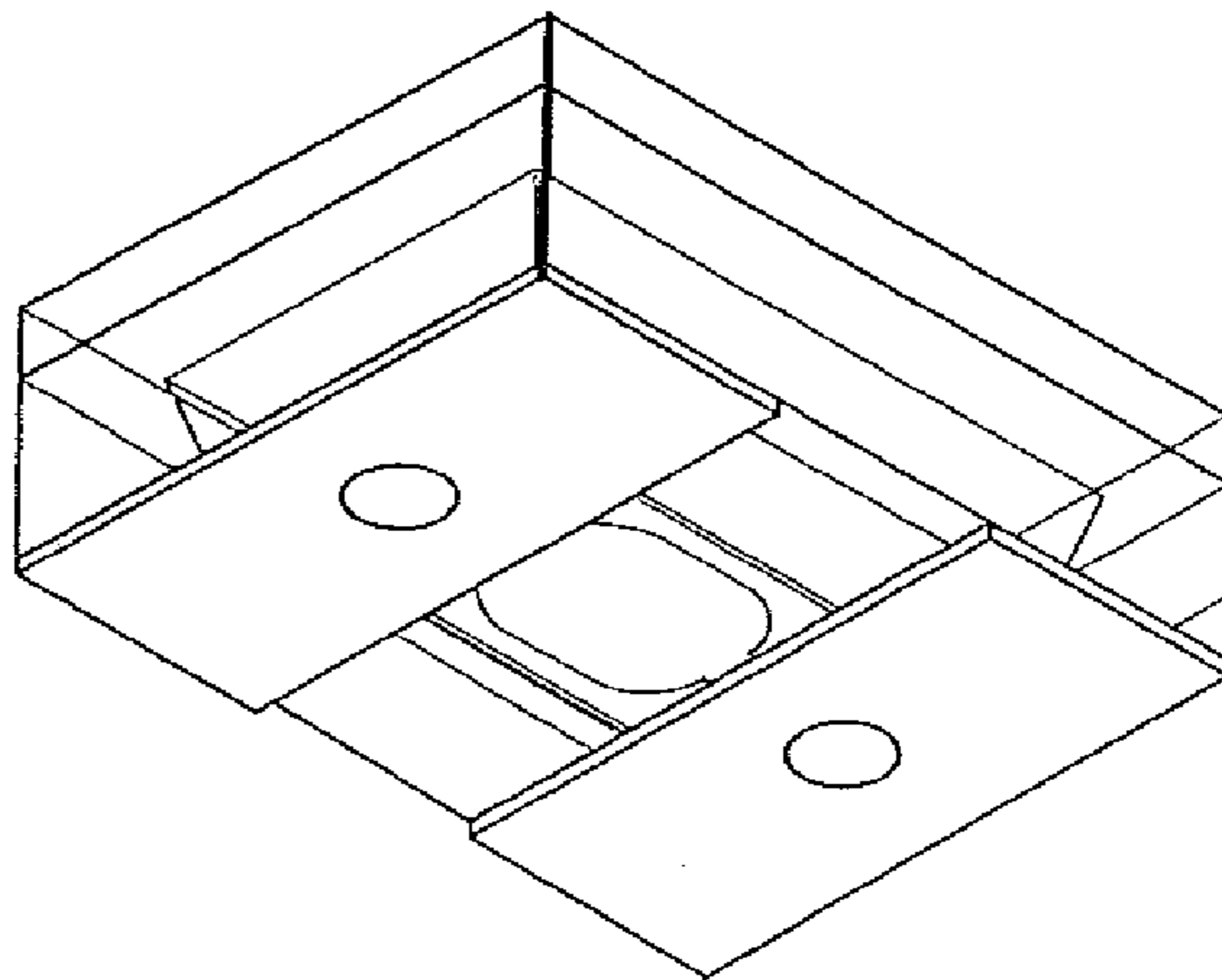
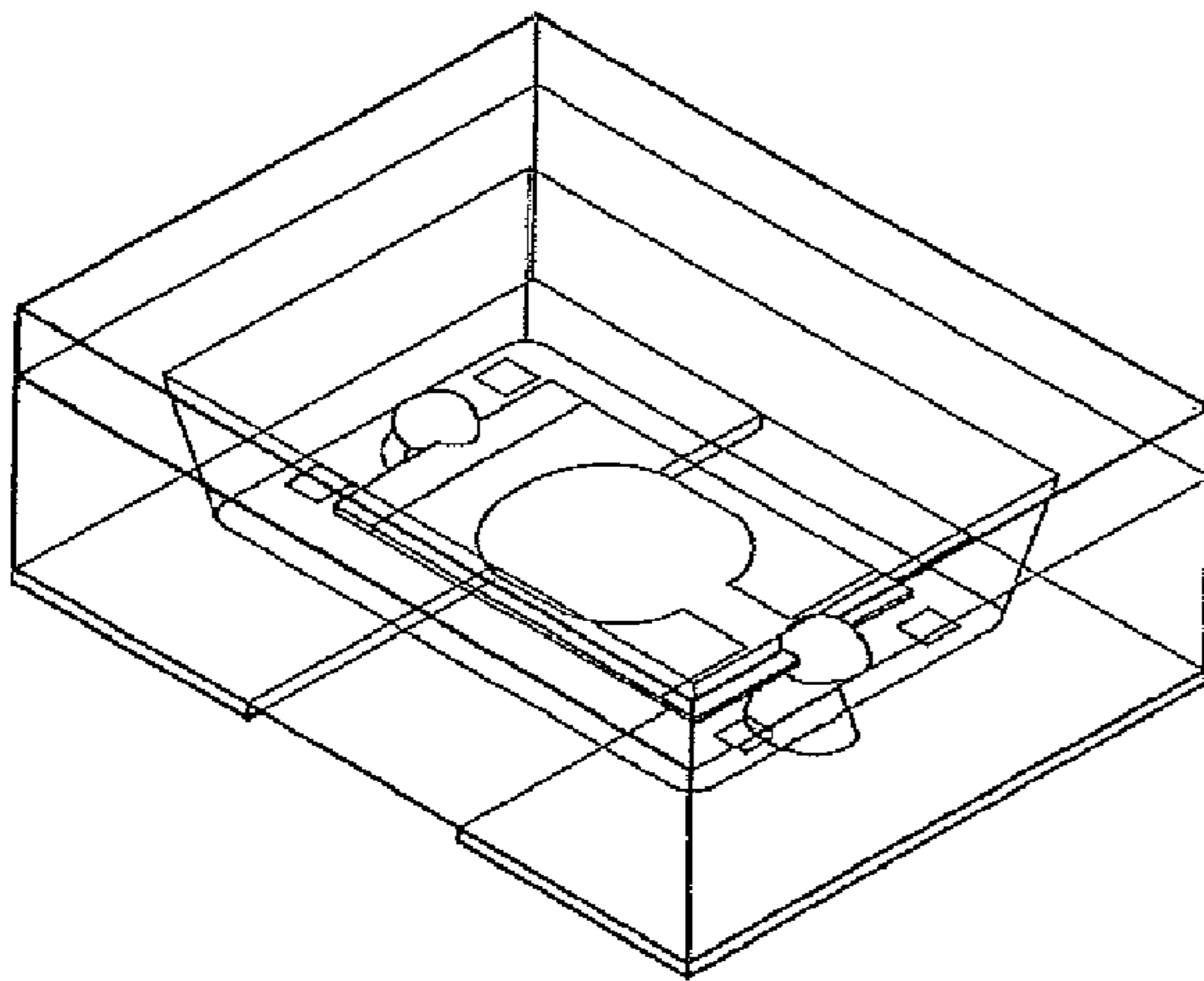


FIG.1

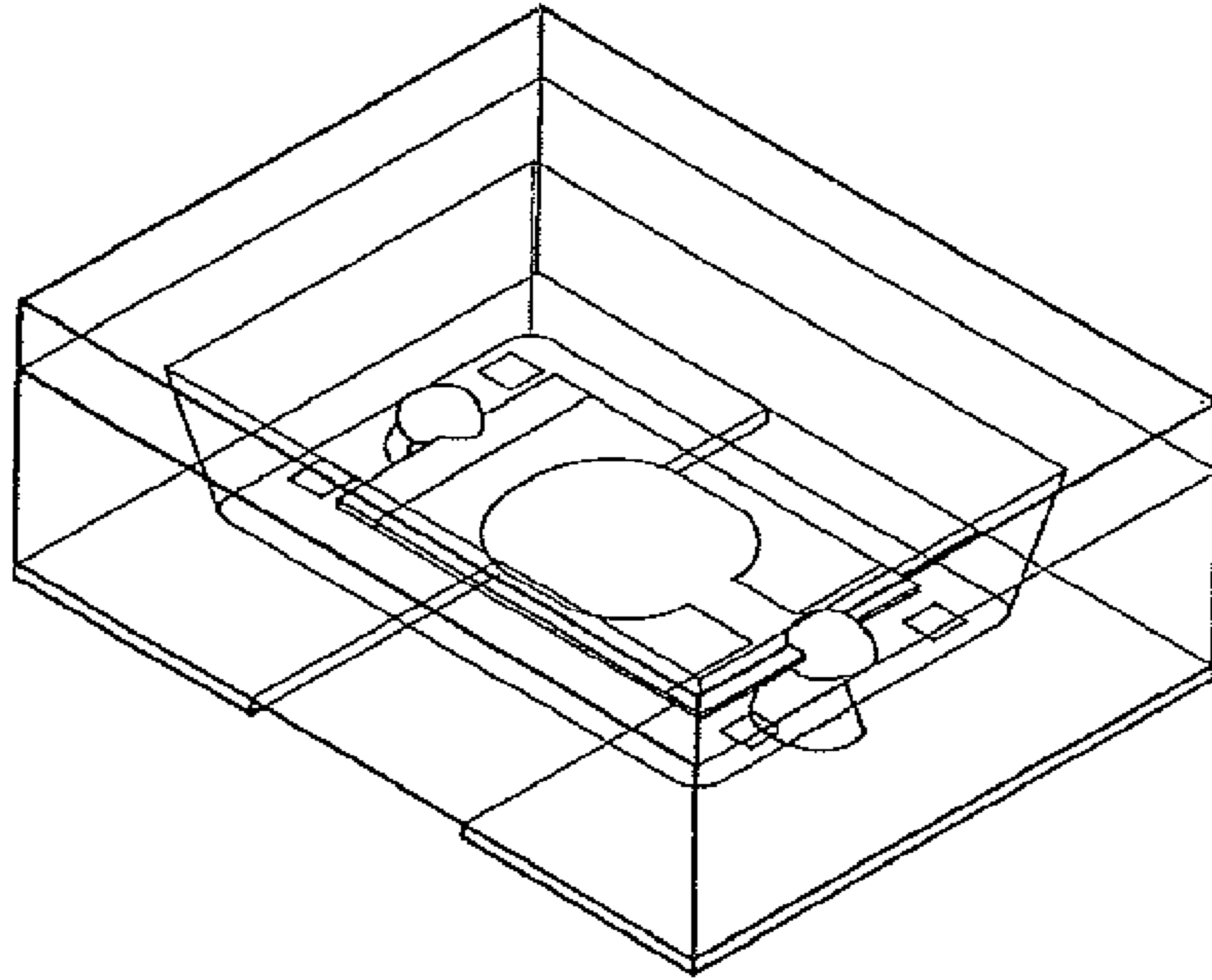


FIG.2

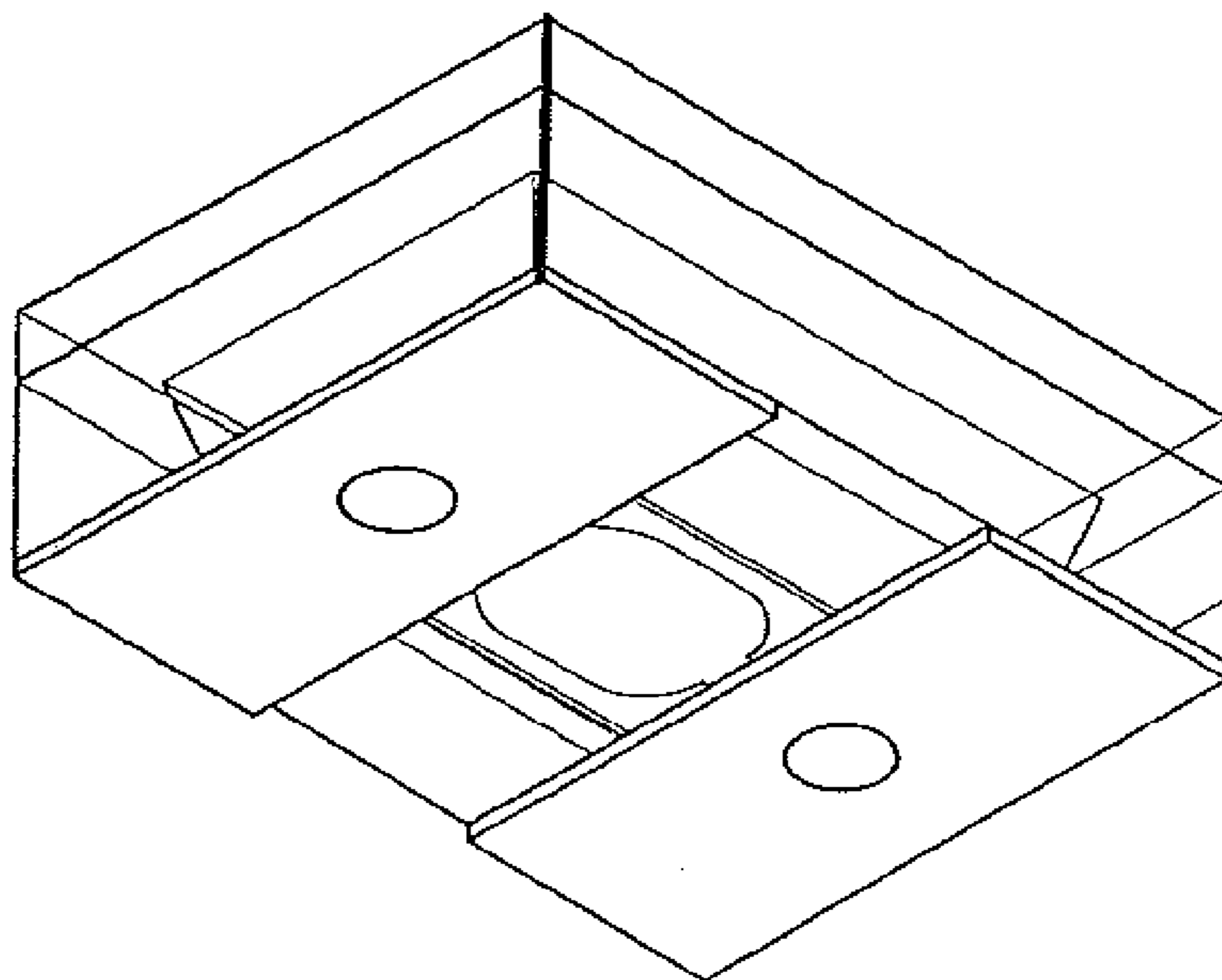


FIG.3

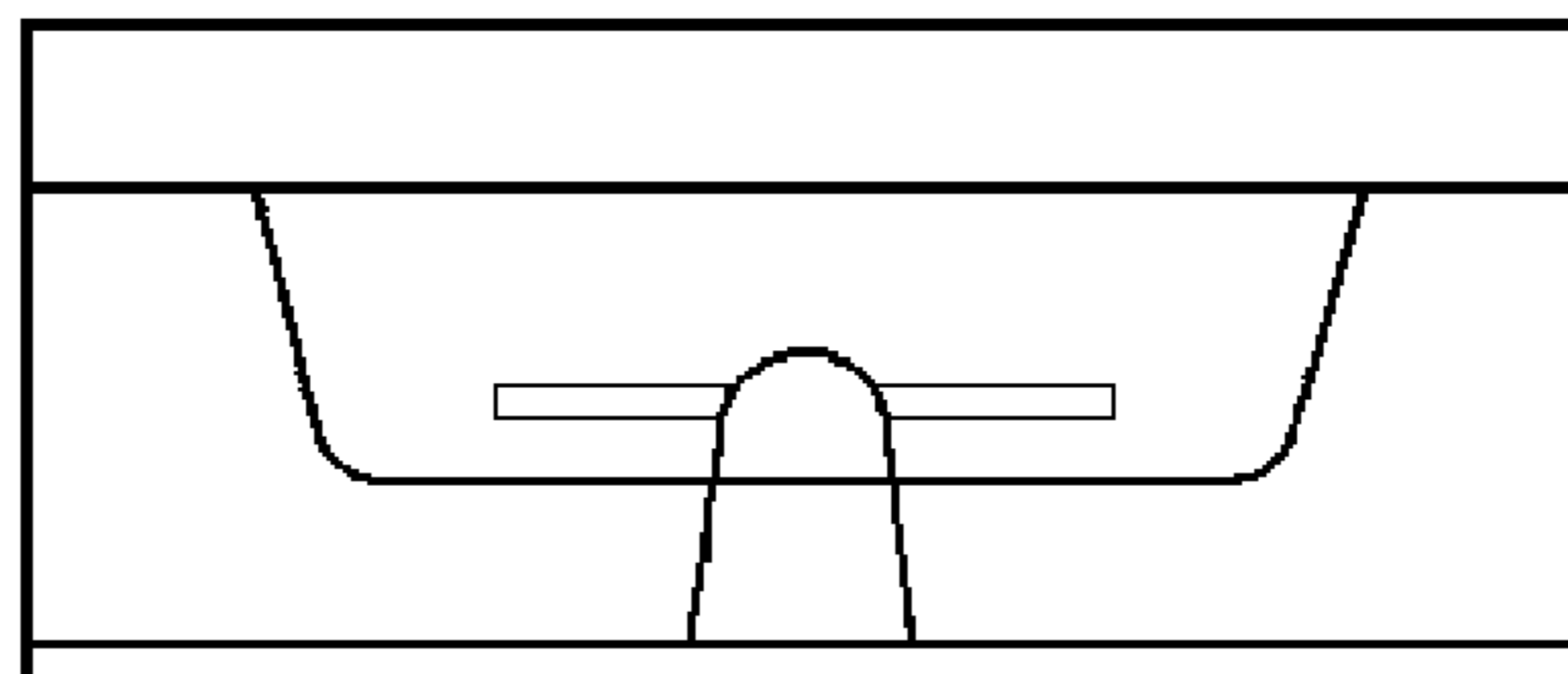


FIG.4

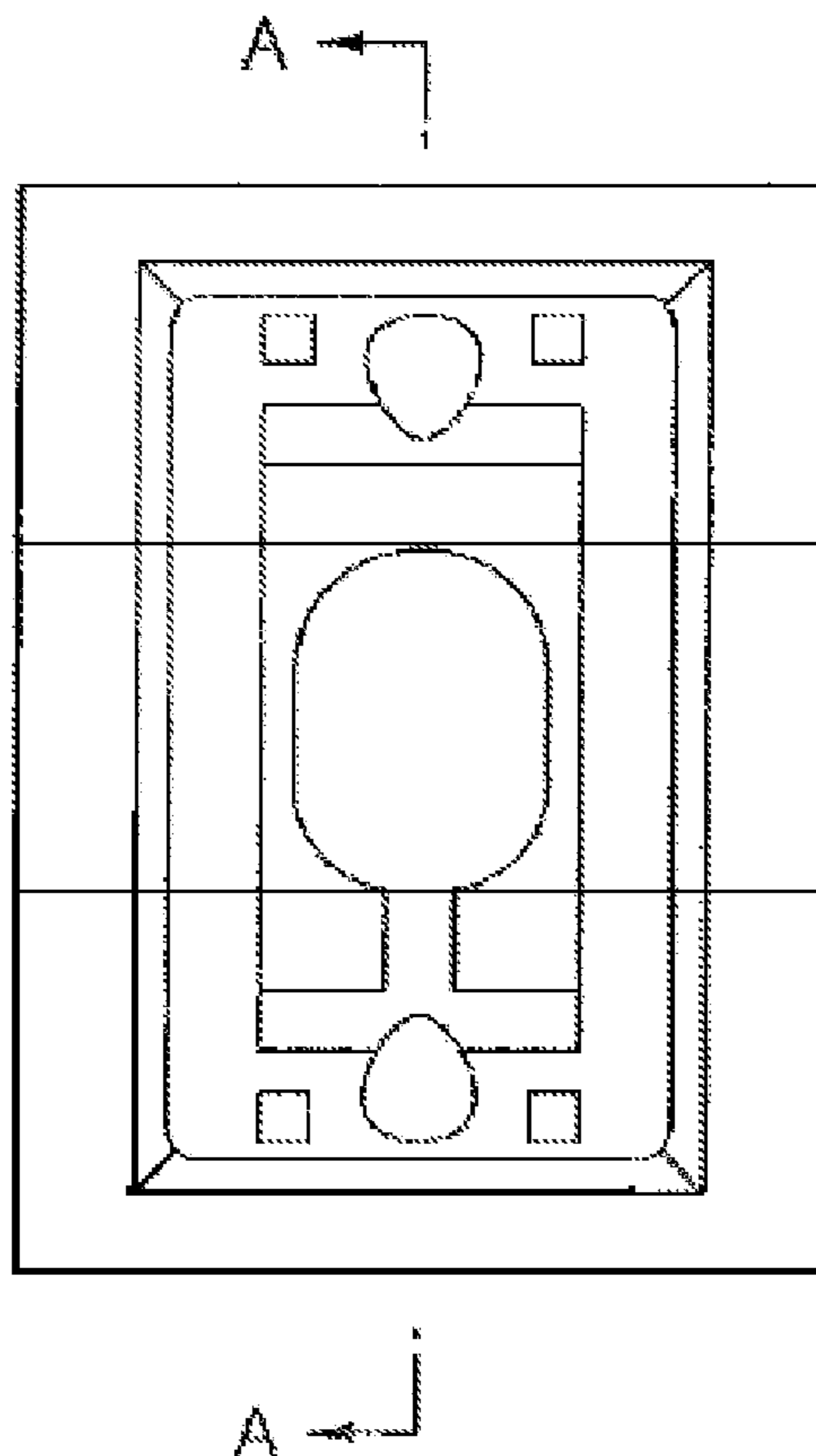


FIG.5

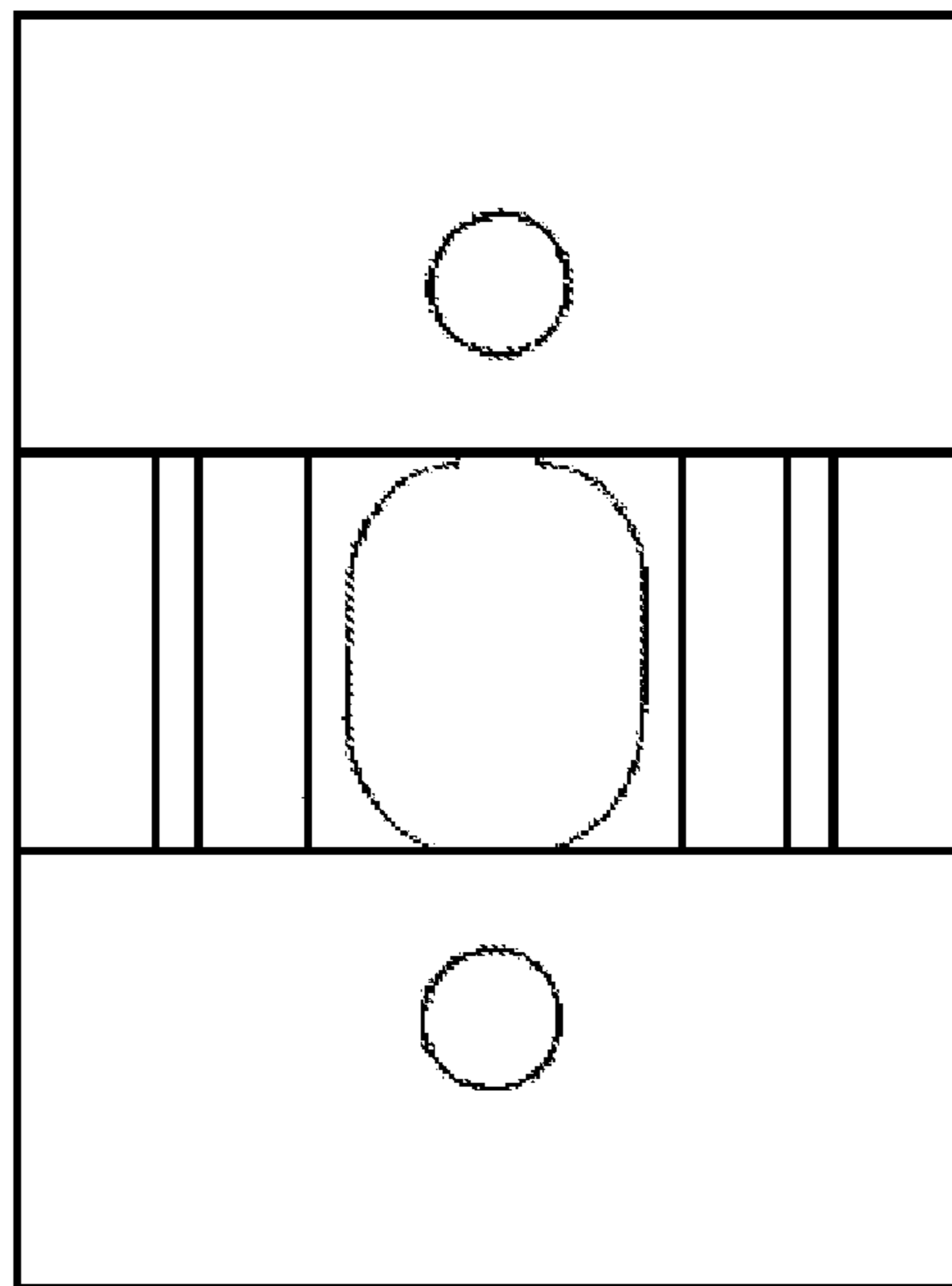


FIG.6

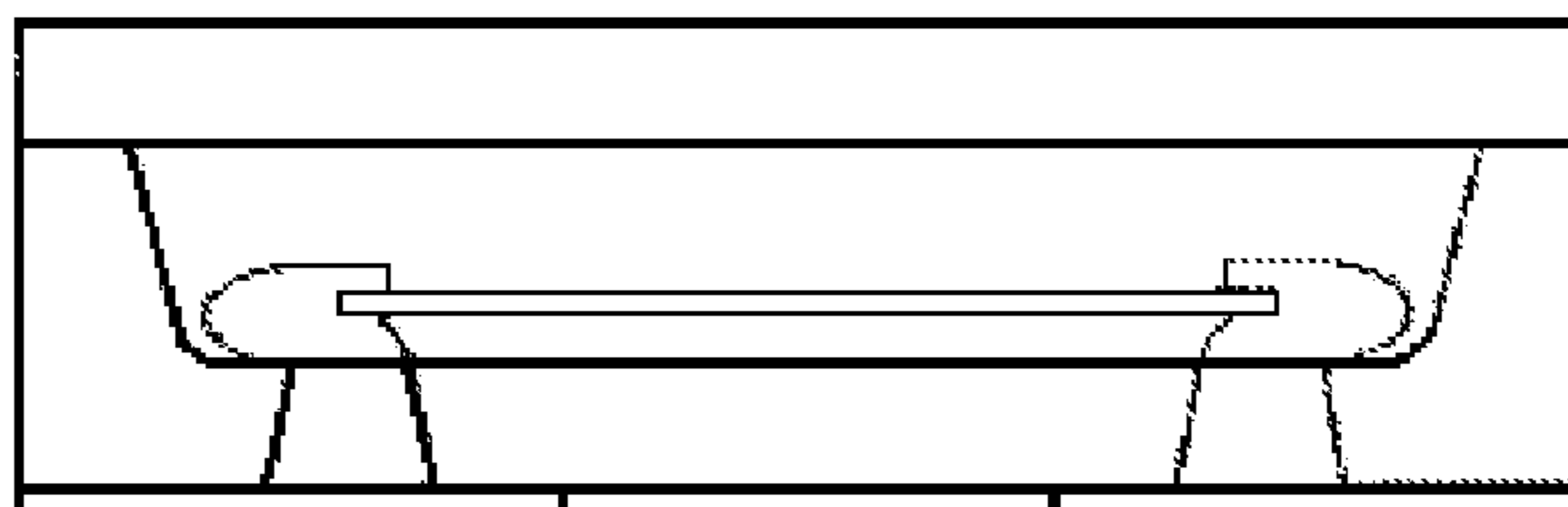


FIG. 7

