

US00D630596S

(12) **United States Design Patent**  
**An**

(10) **Patent No.:** **US D630,596 S**

(45) **Date of Patent:** **\*\* \*Jan. 11, 2011**

(54) **LIGHT-EMITTING DIODE (LED)**

(75) Inventor: **Joong-In An**, Gyeonggi-do (KR)

(73) Assignee: **LG Innotek Co., Ltd.**, Seoul (KR)

(\*) Notice: This patent is subject to a terminal disclaimer.

(\*\*) Term: **14 Years**

(21) Appl. No.: **29/352,585**

(22) Filed: **Dec. 22, 2009**

(30) **Foreign Application Priority Data**

Jul. 1, 2009 (KR) ..... 30-2009-0028990

(51) **LOC (9) Cl.** ..... **13-03**

(52) **U.S. Cl.** ..... **D13/180**

(58) **Field of Classification Search** ..... D13/180;  
D26/2; 257/79, 80, 81, 88, 89, 95, 98, 99,  
257/100, E33.058; 313/483, 498, 500; 362/555,  
362/800

See application file for complete search history.

(56) **References Cited**

**U.S. PATENT DOCUMENTS**

D551,181 S \* 9/2007 Son ..... D13/180  
D557,223 S \* 12/2007 Kim et al. .... D13/180

D566,664 S \* 4/2008 Kong ..... D13/180  
D573,549 S \* 7/2008 Kong ..... D13/180  
7,393,122 B2 \* 7/2008 Tsuzuki et al. .... 362/304  
D585,849 S \* 2/2009 Im ..... D13/180  
D597,967 S \* 8/2009 Im ..... D13/180  
D599,304 S \* 9/2009 Kim et al. .... D13/180  
D606,032 S \* 12/2009 Lee et al. .... D13/180

\* cited by examiner

*Primary Examiner*—Selina Sikder

(74) *Attorney, Agent, or Firm*—Birch, Stewart, Kolasch & Birch, LLP

(57) **CLAIM**

The ornamental design for a light-emitting diode (LED), as shown and described.

**DESCRIPTION**

FIG. 1 is a top, front, perspective view of a light-emitting diode (LED) showing my new design;

FIG. 2 is a front view thereof;

FIG. 3 is a rear view thereof;

FIG. 4 is a left side view thereof, the right side view being a mirror image thereof;

FIG. 5 is a top plan view thereof; and,

FIG. 6 is a bottom plan view thereof.

**1 Claim, 3 Drawing Sheets**

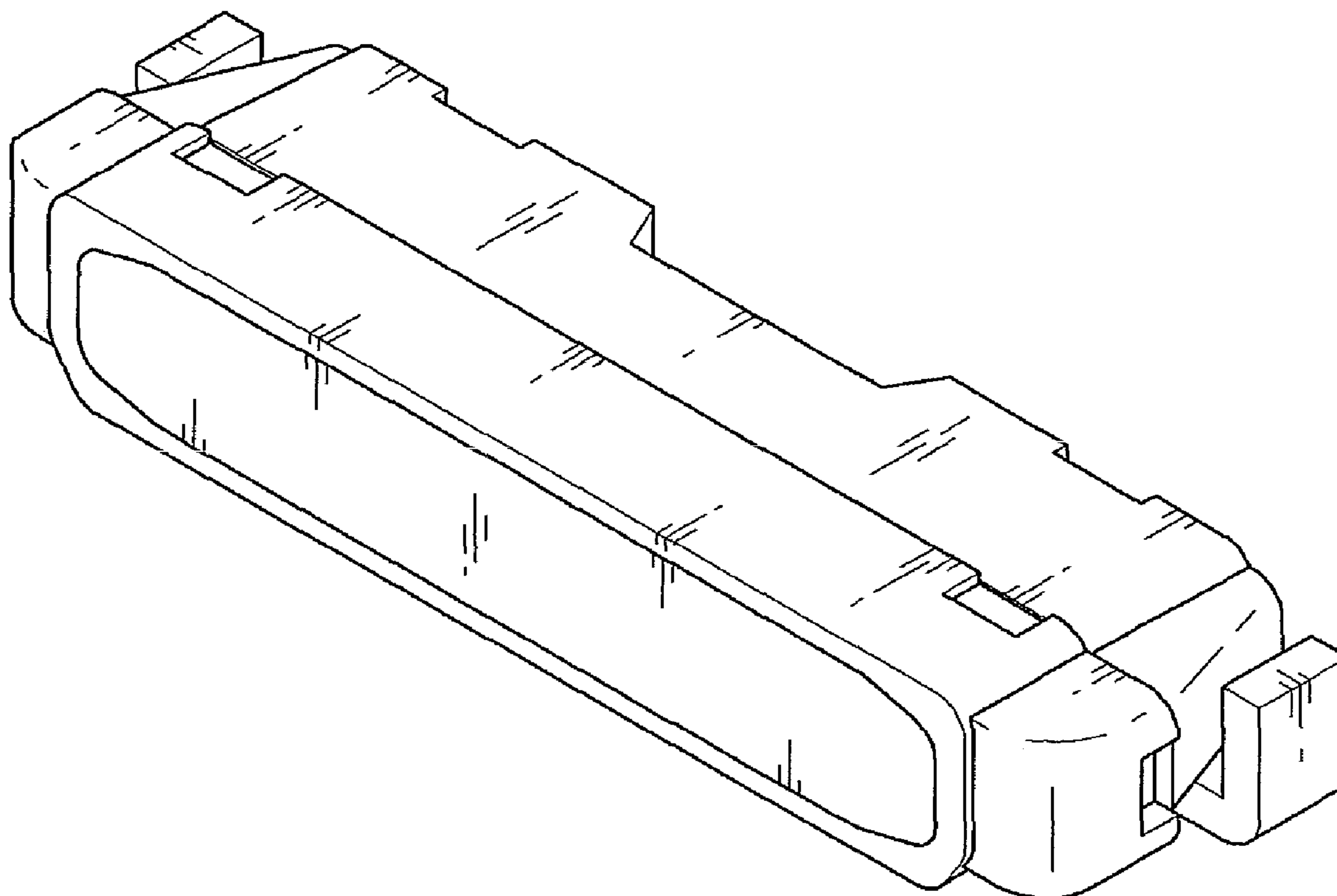


FIG. 1

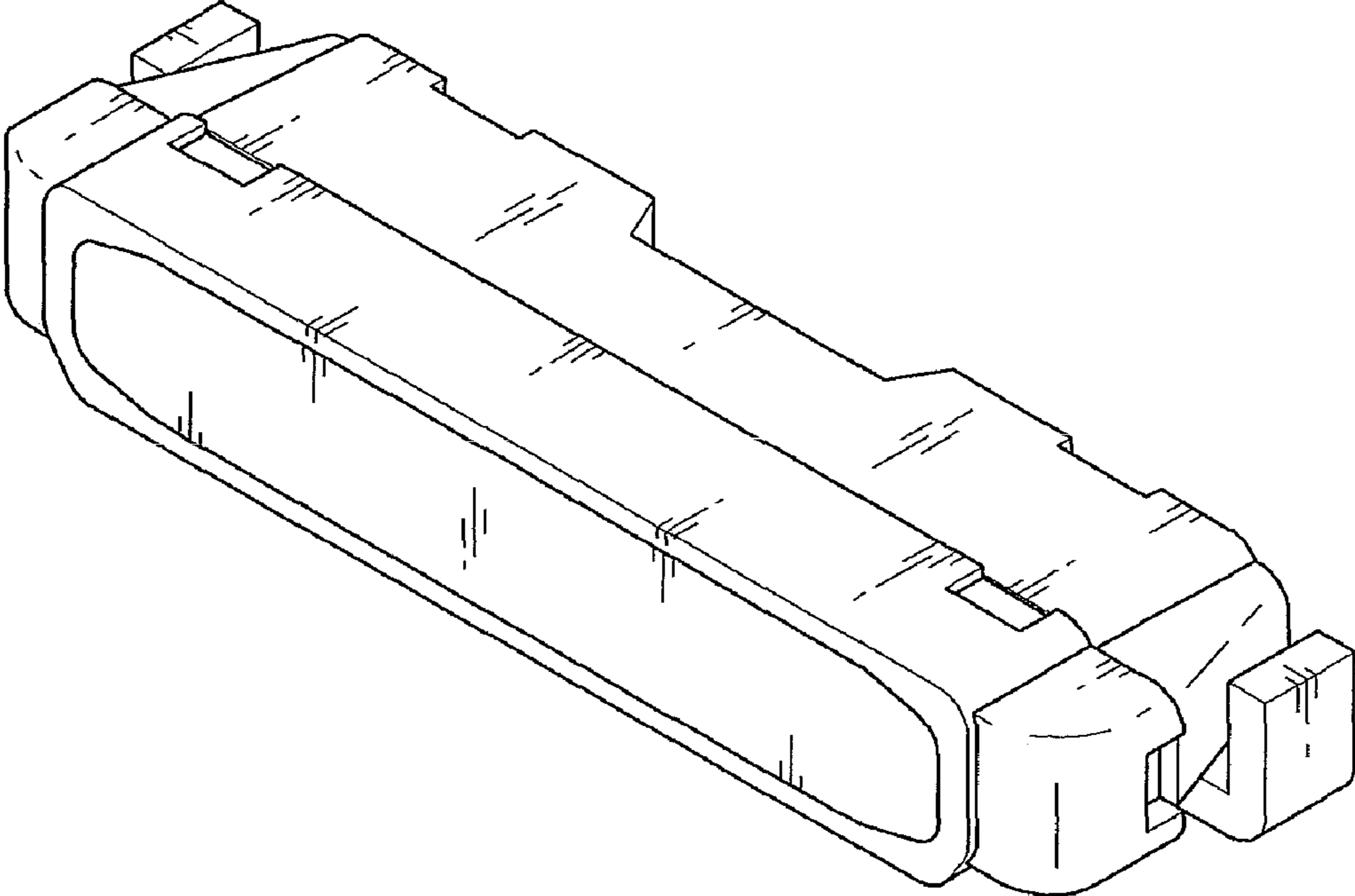


FIG. 2



FIG. 3

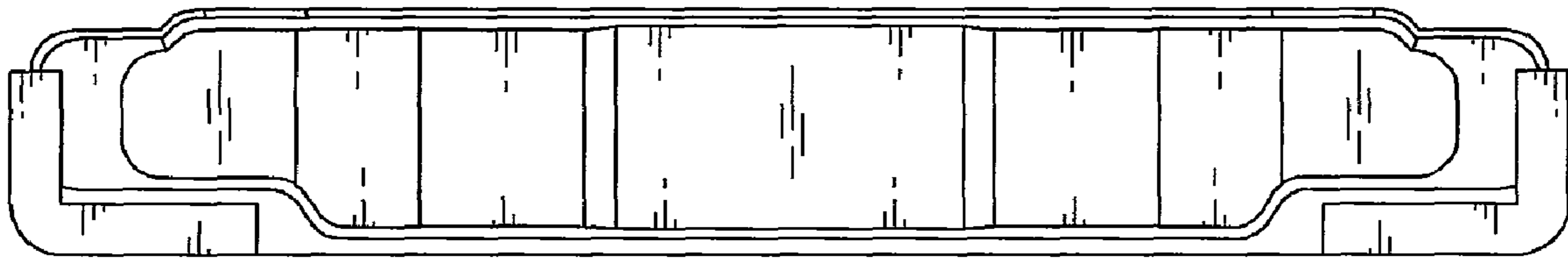


FIG. 4

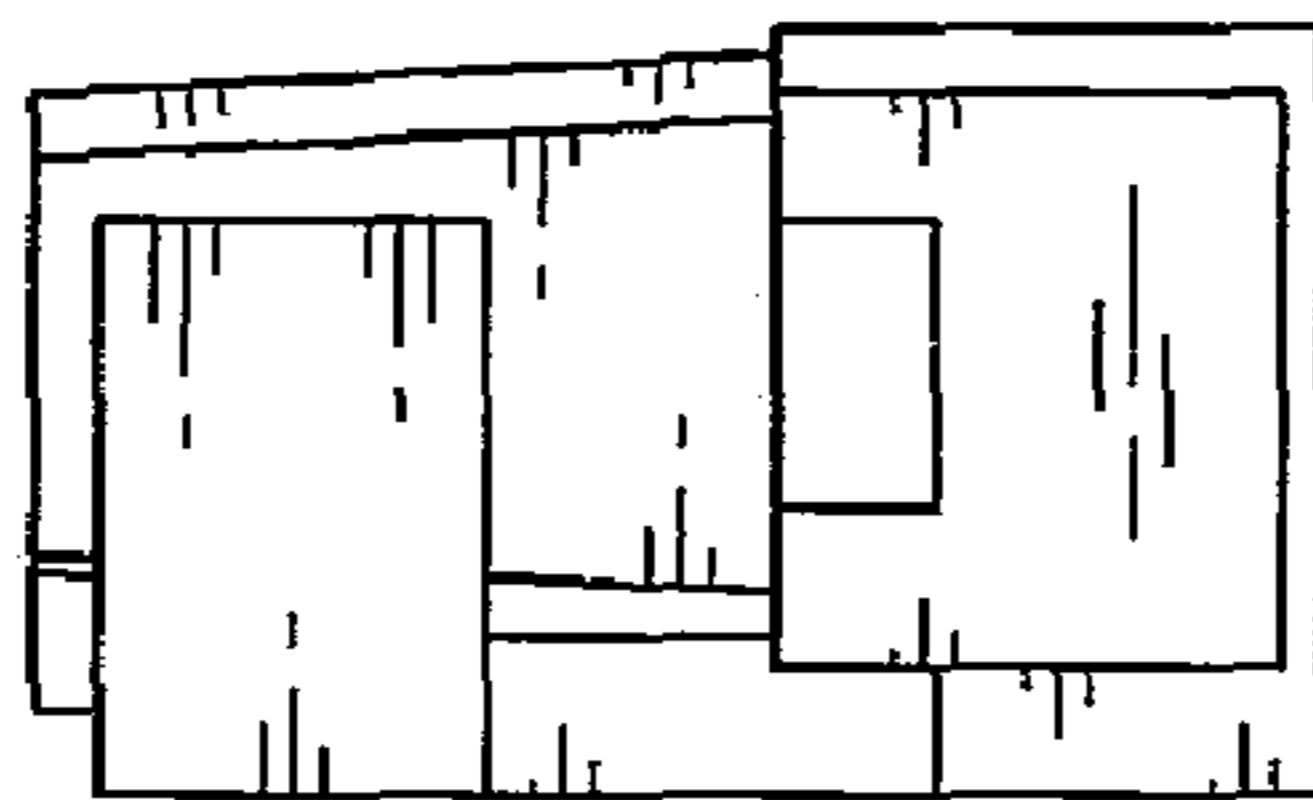


FIG. 5

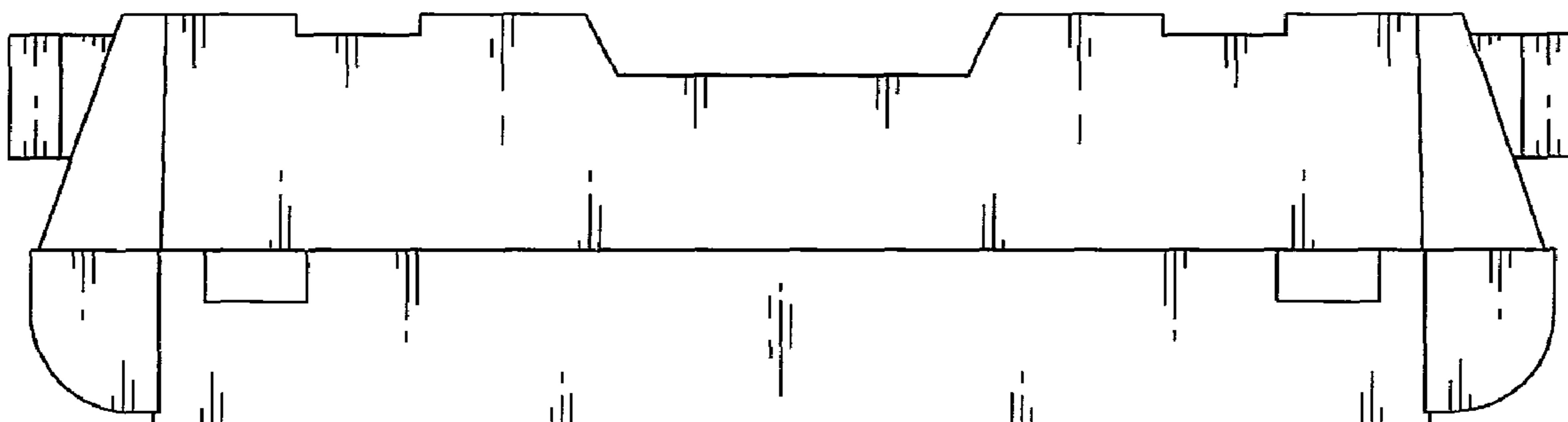


FIG. 6

