



US00D630594S

(12) **United States Design Patent**  
**Samuels et al.**

(10) **Patent No.:** **US D630,594 S**

(45) **Date of Patent:** **\*\* \*Jan. 11, 2011**

(54) **DIMMER SWITCH**

(75) Inventors: **Richard David Samuels**, Riegelsville, PA (US); **Gregory Altonen**, Easton, PA (US); **Elliot G. Jacoby**, Glenside, PA (US); **Noel Mayo**, Philadelphia, PA (US); **Joel S. Spira**, Coopersburg, PA (US)

4,972,045 A 11/1990 Primeau  
5,191,971 A 3/1993 Hakkarainen et al.  
D335,282 S 5/1993 Jurell et al.  
D339,326 S 9/1993 Mayo et al.  
D405,061 S 2/1999 Thomas

(Continued)

(73) Assignee: **Lutron Electronics Co., Inc.**, Coopersburg, PA (US)

Lutron Electronics Co., Inc., Commercial Wallbox Lighting Controls Catalog, 2004, front cover, pp. 70-71, rear cover.

(Continued)

(\*) Notice: This patent is subject to a terminal disclaimer.

*Primary Examiner*—Selina Sikder

(74) *Attorney, Agent, or Firm*—Mark E. Rose; Philip N. Smith; Bridget L. McDonough

(\*\*) Term: **14 Years**

(21) Appl. No.: **29/353,971**

(57) **CLAIM**

(22) Filed: **Jan. 18, 2010**

We claim the ornamental design for a dimmer switch, as shown and described.

**Related U.S. Application Data**

(63) Continuation of application No. 29/329,682, filed on Dec. 19, 2008.

**DESCRIPTION**

(51) **LOC (9) Cl.** ..... **13-03**

FIG. 1 is a perspective view of a dimmer switch according to a first embodiment of our new design.

(52) **U.S. Cl.** ..... **D13/169; D13/174**

FIG. 2 is a front view thereof.

(58) **Field of Classification Search** ..... **D13/162,**

FIG. 3 is a left side view thereof.

**D13/169, 170, 174; 174/66; 307/125, 139, 307/157; 200/330, 335, 339, 547, 550; 315/295, 315/297; 338/176**

FIG. 4 is a right side view thereof.

FIG. 5 is a top view thereof.

See application file for complete search history.

FIG. 6 is a bottom view thereof.

FIG. 7 is a perspective view of a dimmer switch according to a second embodiment of our new design; and,

(56) **References Cited**

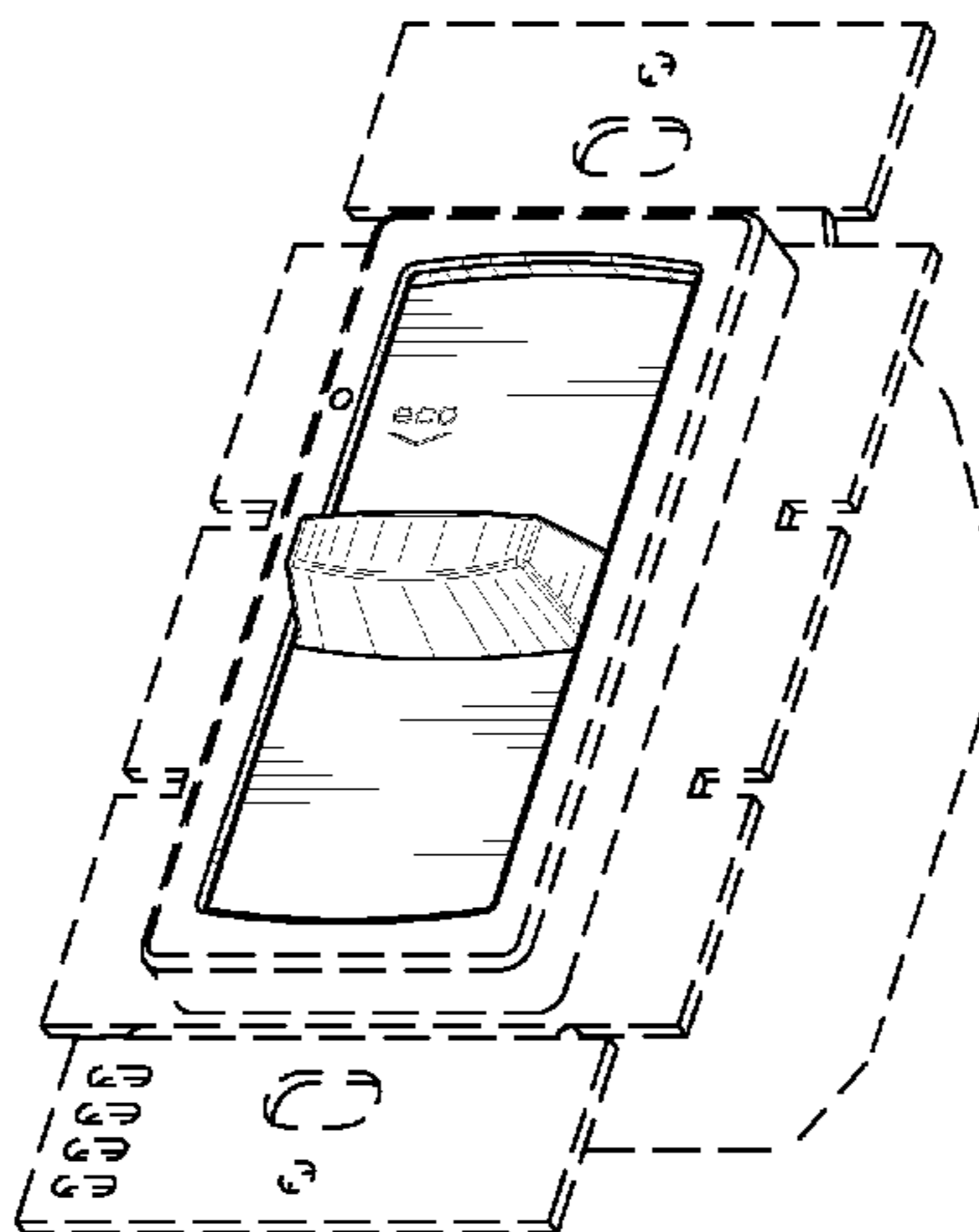
**U.S. PATENT DOCUMENTS**

D227,577 S 7/1973 Mayo  
3,746,923 A 7/1973 Spira et al.  
D241,853 S 10/1976 Spira et al.  
4,695,820 A 9/1987 D'Aleo et al.  
4,833,277 A 5/1989 Jacoby, Jr. et al.  
4,835,343 A 5/1989 Graef et al.  
4,924,349 A 5/1990 Buehler et al.  
4,939,383 A 7/1990 Tucker et al.  
4,947,054 A 8/1990 Flowers et al.

FIG. 8 is a front view thereof, the left side, right side, top, and bottom views, respectively, of the second embodiment being identical to the left side, right side, top, and bottom views of the first embodiment.

The rear views form no part of the design and are omitted. The portions of the drawings appearing in broken line are for environment only and do not form a part of the claimed design.

**1 Claim, 6 Drawing Sheets**



# US D630,594 S

Page 2

## U.S. PATENT DOCUMENTS

D415,472 S 10/1999 Kelso et al.  
D437,584 S 2/2001 Radosavljevic et al.  
D457,145 S 5/2002 Pagano et al.  
D457,863 S 5/2002 Jacoby  
D463,382 S 9/2002 Jacoby  
D477,575 S 7/2003 Mayo et al.  
6,727,446 B1 4/2004 Mayo et al.  
D533,843 S 12/2006 Larson et al.  
D533,844 S 12/2006 Larson et al.  
D539,235 S 3/2007 Mayo et al.  
D540,267 S 4/2007 Larson et al.  
D540,748 S 4/2007 Larson et al.  
D541,222 S 4/2007 Mayo et al.  
D542,737 S 5/2007 Spira  
D543,510 S 5/2007 Larson et al.  
D547,731 S 7/2007 Larson et al.  
D548,194 S 8/2007 Spira  
D558,151 S 12/2007 Spira  
D562,260 S 2/2008 Pessina et al.  
D566,659 S 4/2008 Spira  
7,416,310 B1 8/2008 Savicki, Jr.  
D582,863 S 12/2008 LiDong  
D583,336 S 12/2008 LiDong

D597,495 S 8/2009 Samuels et al.  
D597,496 S 8/2009 Samuels et al.  
D600,656 S 9/2009 Altonen et al.  
D607,848 S 1/2010 Samuels et al.  
D607,849 S 1/2010 Samuels et al.  
2006/0255662 A1 11/2006 Abel  
2007/0272535 A1 11/2007 Sloan et al.

## OTHER PUBLICATIONS

Leviton Manufacturing Co., Inc., Lighting and Fan Speed Controls Product Guide, 2006, 16 pages.  
Leviton Manufacturing Co., Inc., L-504 Catalog, 2003, front cover, pp. A22-A25, rear cover.  
Cooper Wiring Devices, Decorator Slide Dimmers & Fan Speed Controls Sell Sheet, 2007, 2 pages.  
Cooper Wiring Devices, Decorator Slide Dimmers & Fan Speed Controls Products Specifications Sheet, 2007, 2 pages.  
Cooper Wiring Devices, Lighting Controls Line Card, 2007, 4 pages.  
Inncom, S-Series Switch Sell Sheet, Jun. 2008, 2 pages.  
Inncom, e4 Smart Digital Thermostat E527 Sell Sheet, Jun. 2008, 1 page.  
Inncom, e4 Smart Digital Thermostat E528 Sell Sheet, Jun. 2008, 1 page.  
U.S. Appl. No. 29/329,678, filed Dec. 19, 2008, Samuels et al.  
U.S. Appl. No. 29/353,904, filed Jan. 15, 2010, Samuels et al.

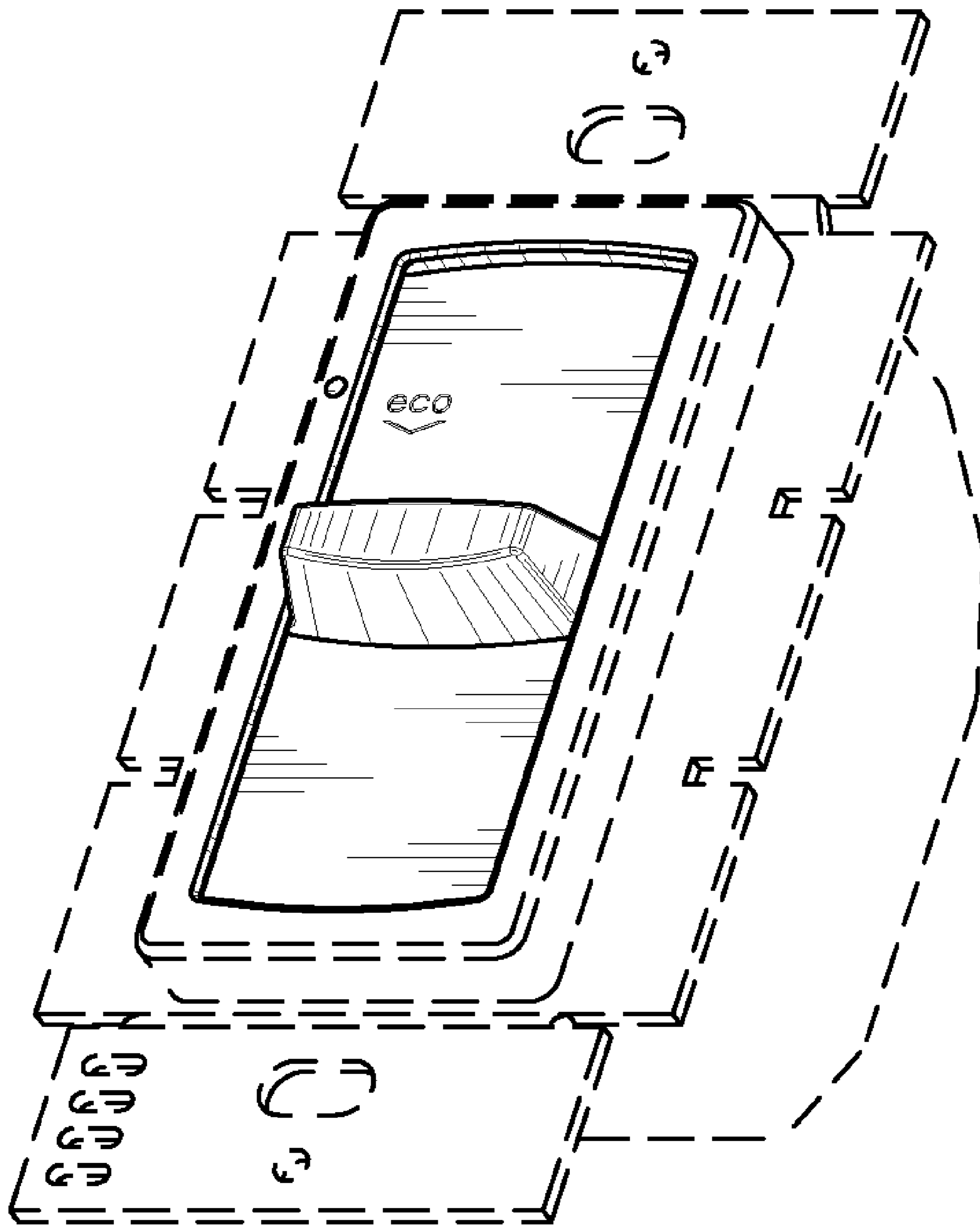


Fig. 1

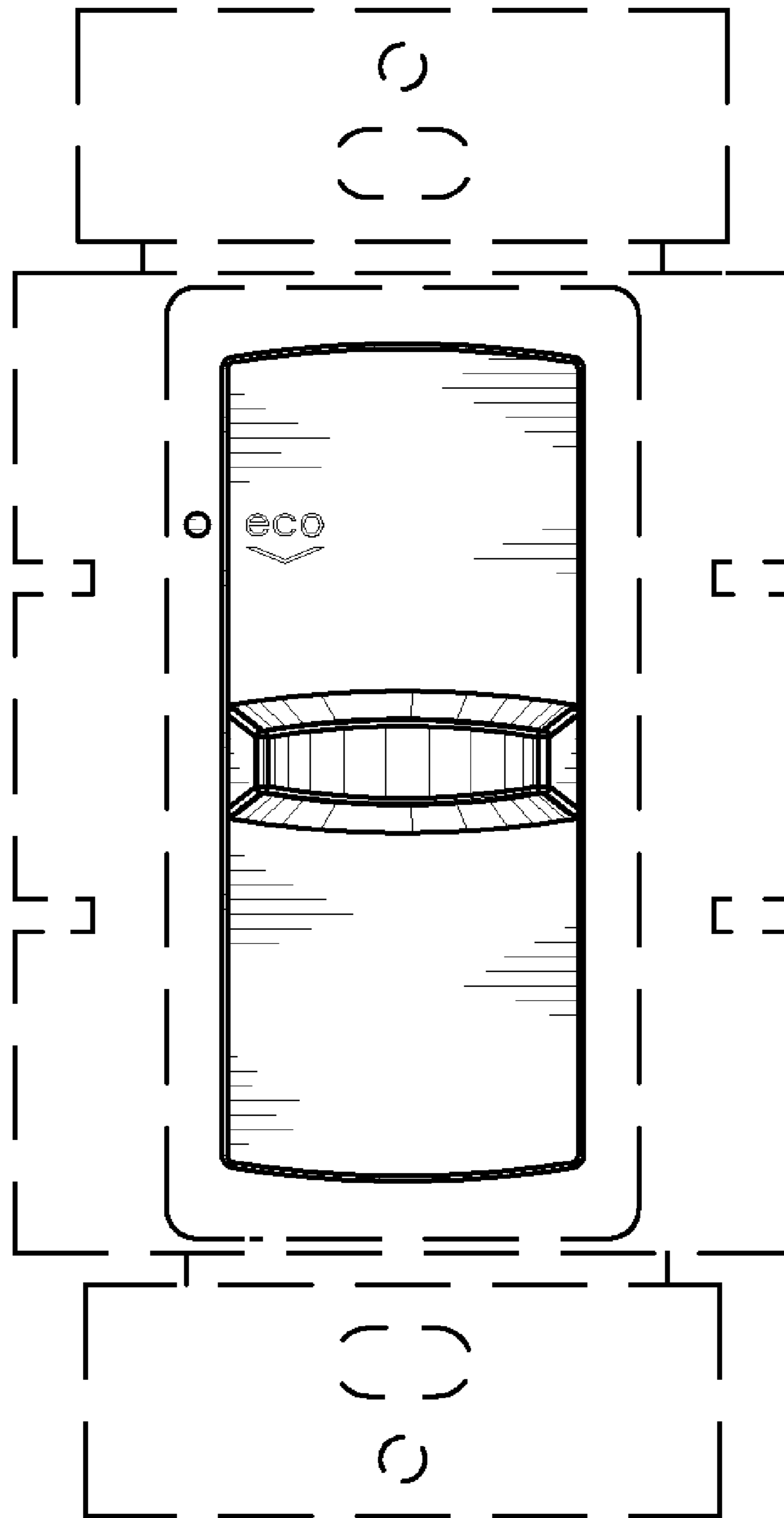


Fig. 2

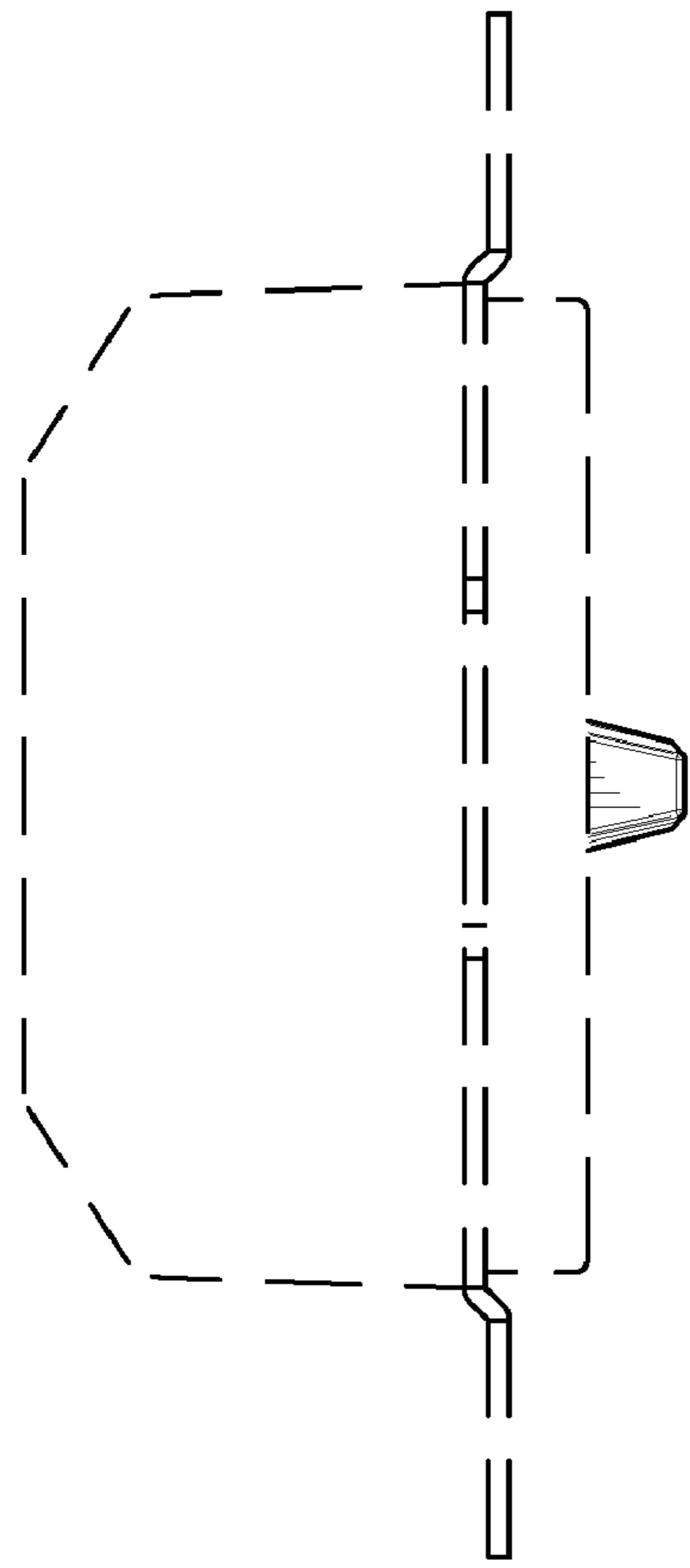


Fig. 3

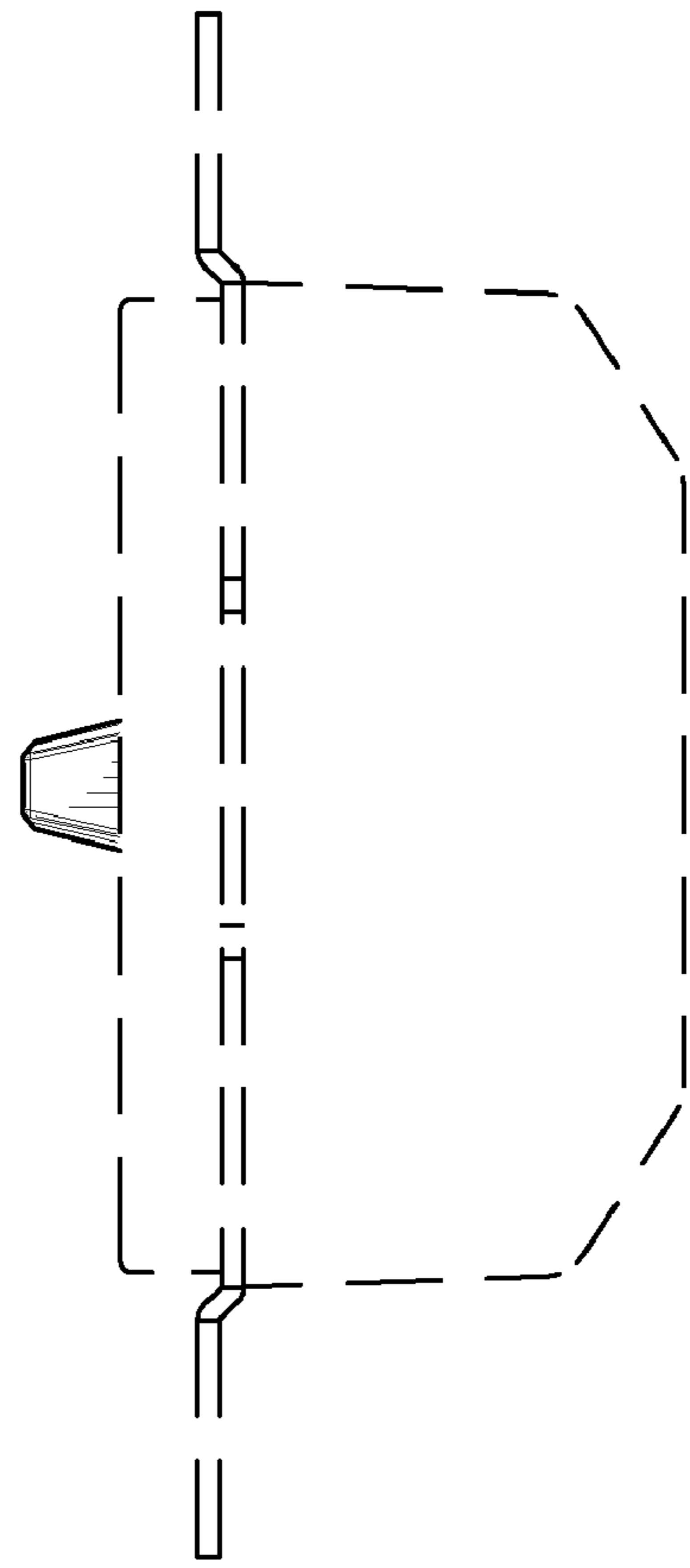


Fig. 4

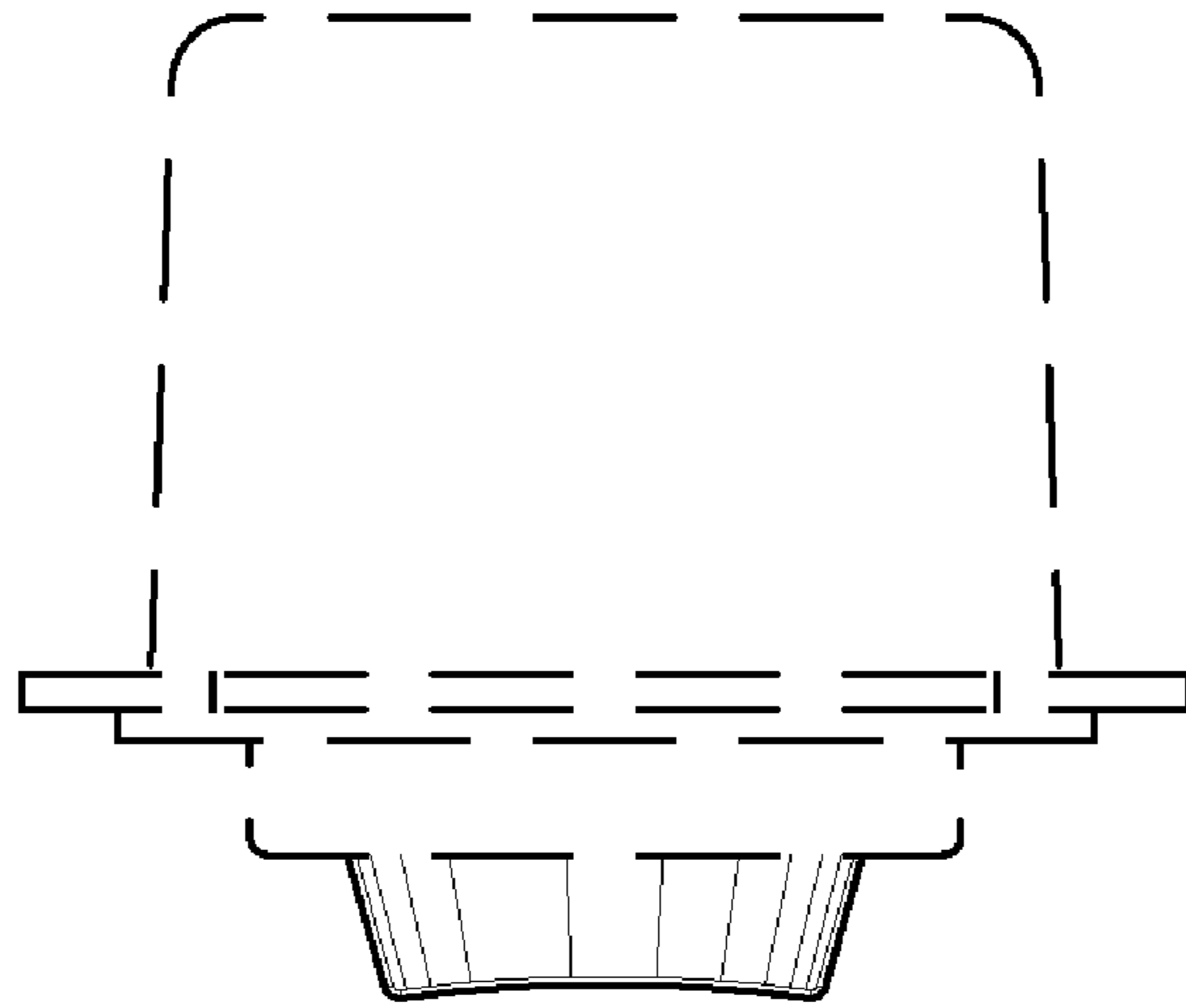


Fig. 5

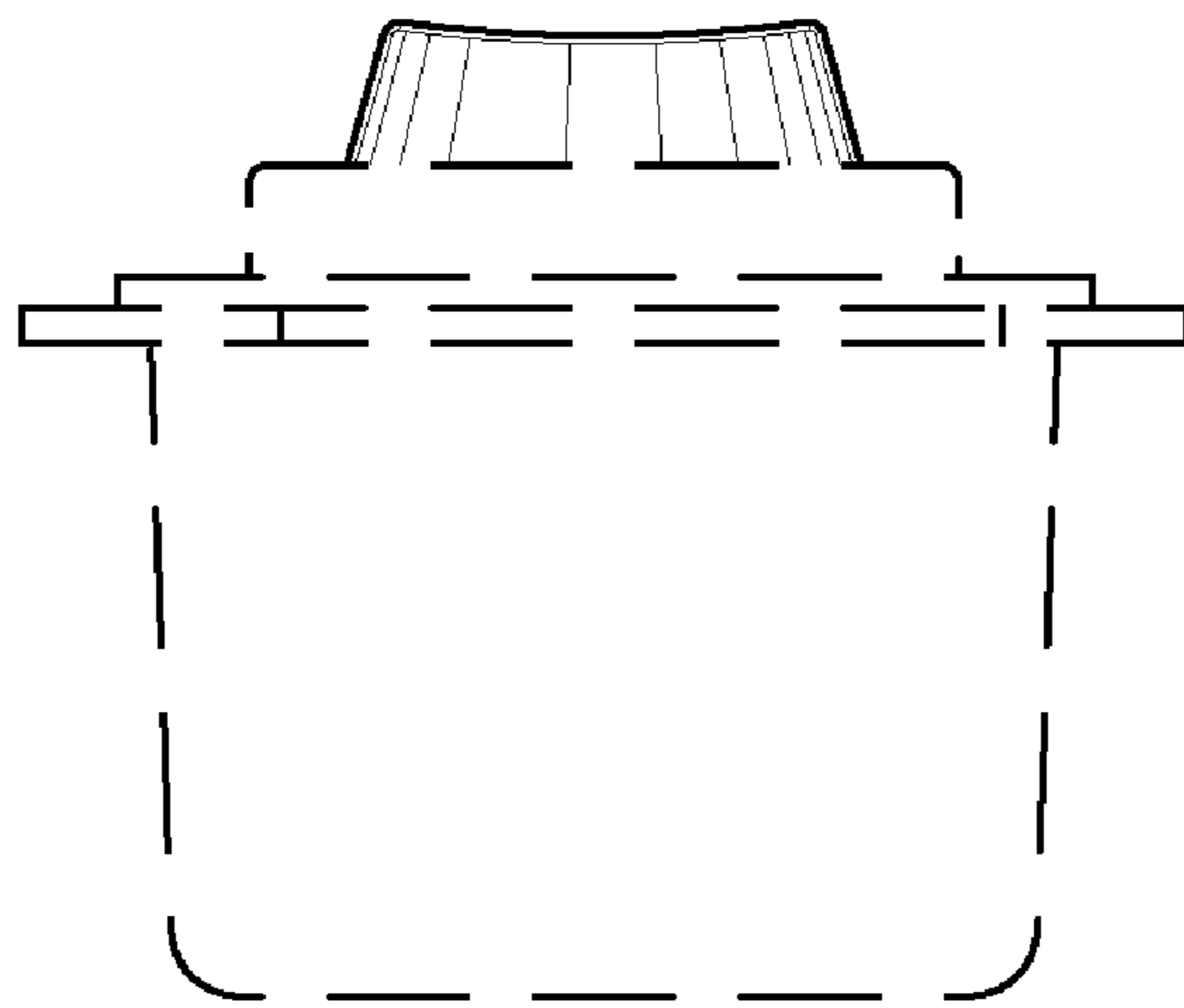


Fig. 6

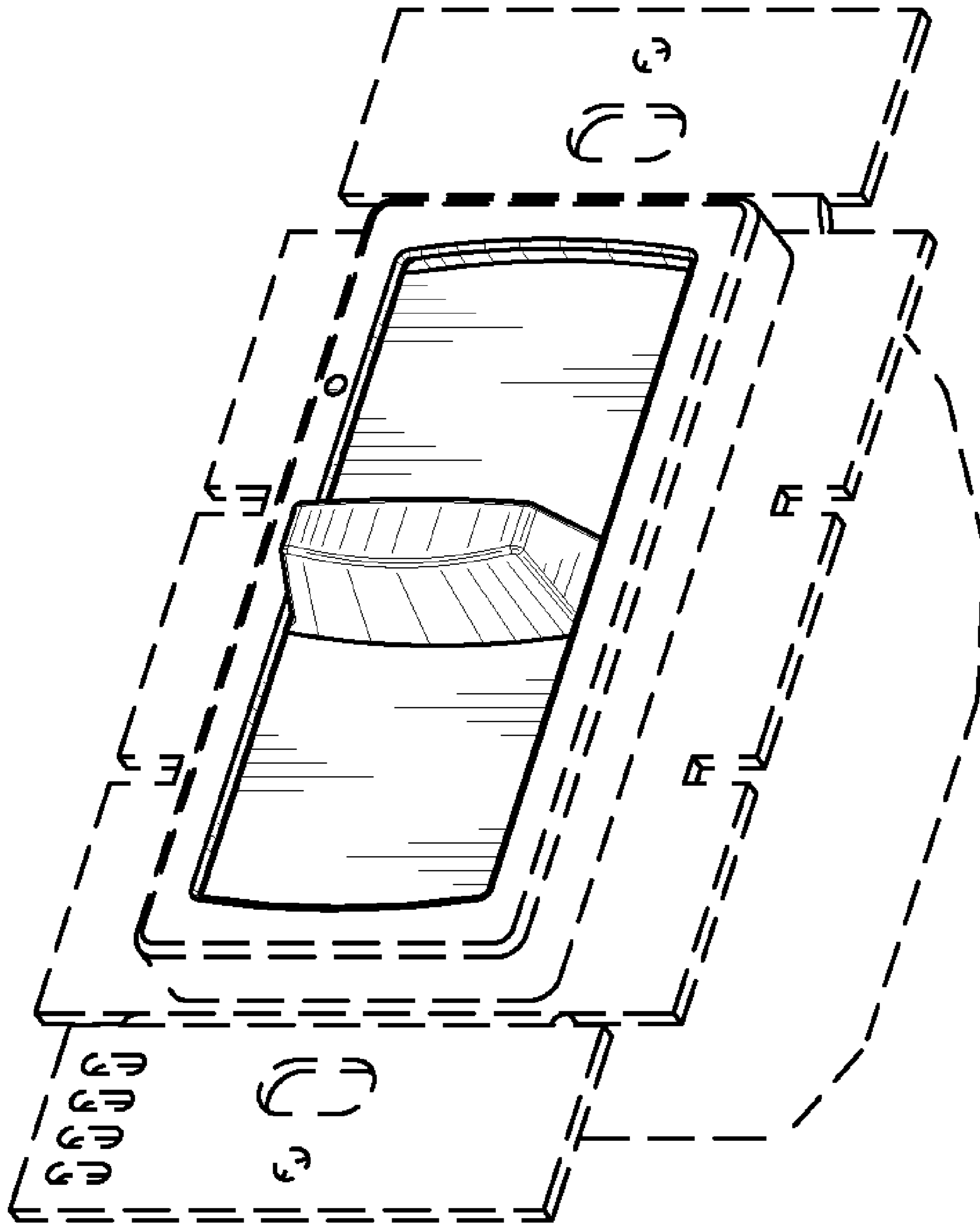


Fig. 7

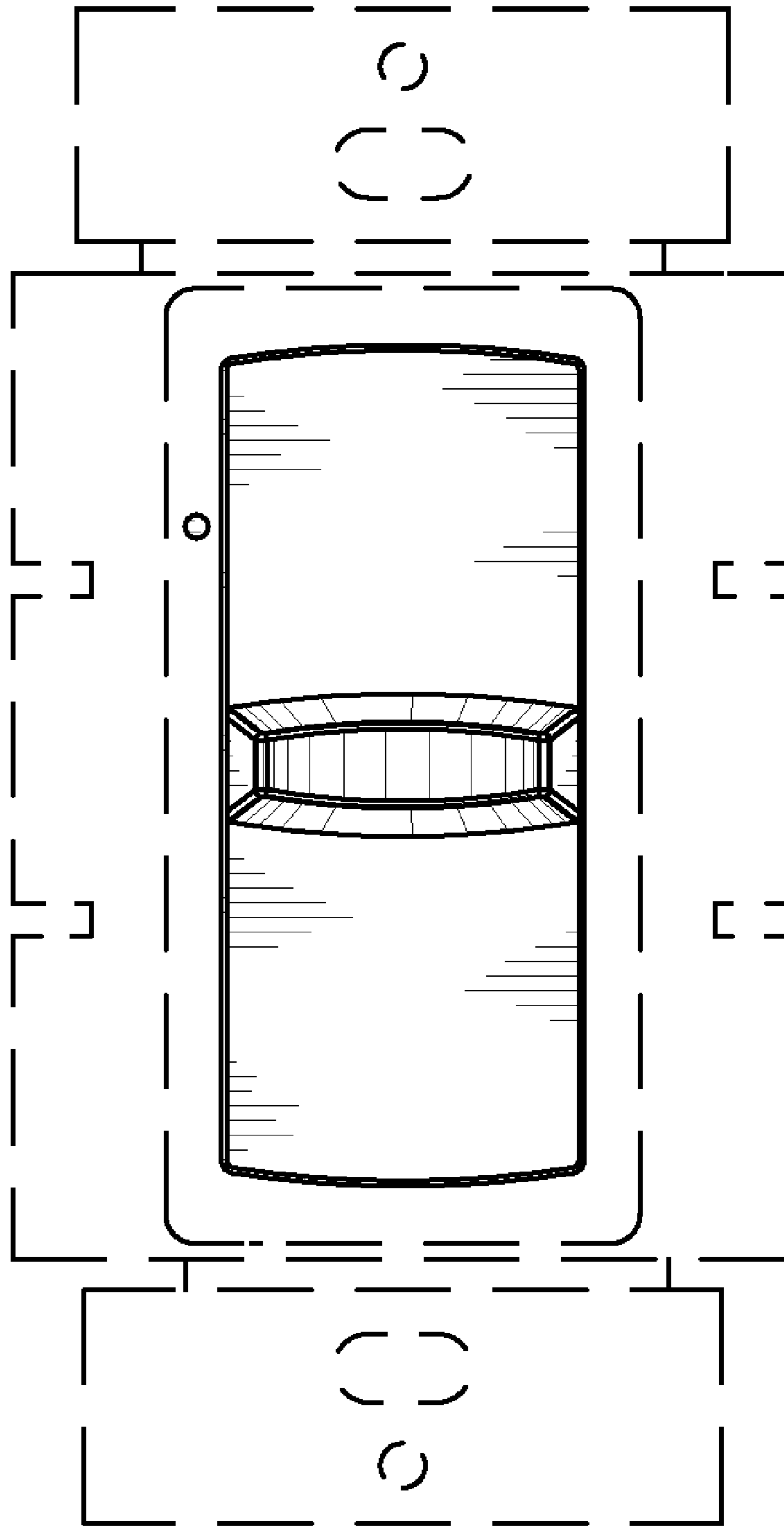


Fig. 8