



US00D630591S

(12) **United States Design Patent**
Garcia De Vicuna

(10) **Patent No.:** **US D630,591 S**
(45) **Date of Patent:** **** Jan. 11, 2011**

(54) **HOUSING**

(75) Inventor: **Gregorio Garcia De Vicuna**, Elgoibar (ES)

(73) Assignee: **Ojmar, S.A.**, Elgoibar (Gipuzkoa) (ES)

(**) Term: **14 Years**

(21) Appl. No.: **29/360,156**

(22) Filed: **Apr. 21, 2010**

(51) **LOC (9) Cl.** **13-03**

(52) **U.S. Cl.** **D13/152; D13/184**

(58) **Field of Classification Search** D13/139.4,
D13/152, 156, 177, 184, 199; 174/50, 53-55,
174/58, 60, 66, 67; 220/3.2, 3.3, 3.6-3.9,
220/241, 242, 244, 315, 4.02; 439/135, 136,
439/138, 142, 166, 367, 373, 535, 536, 537,
439/541, 892, 893

See application file for complete search history.

(56) **References Cited**

U.S. PATENT DOCUMENTS

- D324,207 S * 2/1992 Nieves D13/184
- D337,313 S * 7/1993 Davis D13/184
- D342,072 S * 12/1993 Nakamura et al. D14/256
- D367,859 S * 3/1996 Beaumont et al. D14/142
- D400,512 S * 11/1998 Korhonen D13/184
- D408,796 S * 4/1999 Georgopulos D14/354

- 5,914,863 A * 6/1999 Shen 361/752
- D452,487 S * 12/2001 Kaplan D13/184
- D563,892 S * 3/2008 Tomasa Pujol D13/152
- D563,893 S * 3/2008 Pujol D13/152
- D563,894 S * 3/2008 Tomasa Pujol D13/152
- D615,045 S * 5/2010 Lanfear et al. D13/162

* cited by examiner

Primary Examiner—Rosemary K Tarcza

(74) *Attorney, Agent, or Firm*—Lucas & Mercanti, LLP

(57) **CLAIM**

The ornamental design for a housing, substantially as shown and described.

DESCRIPTION

FIG. 1 is a perspective view of my housing design;

FIG. 2 is a front view of my housing design;

FIG. 3 is a top view of my housing design;

FIG. 4 is a left-side view of my housing design;

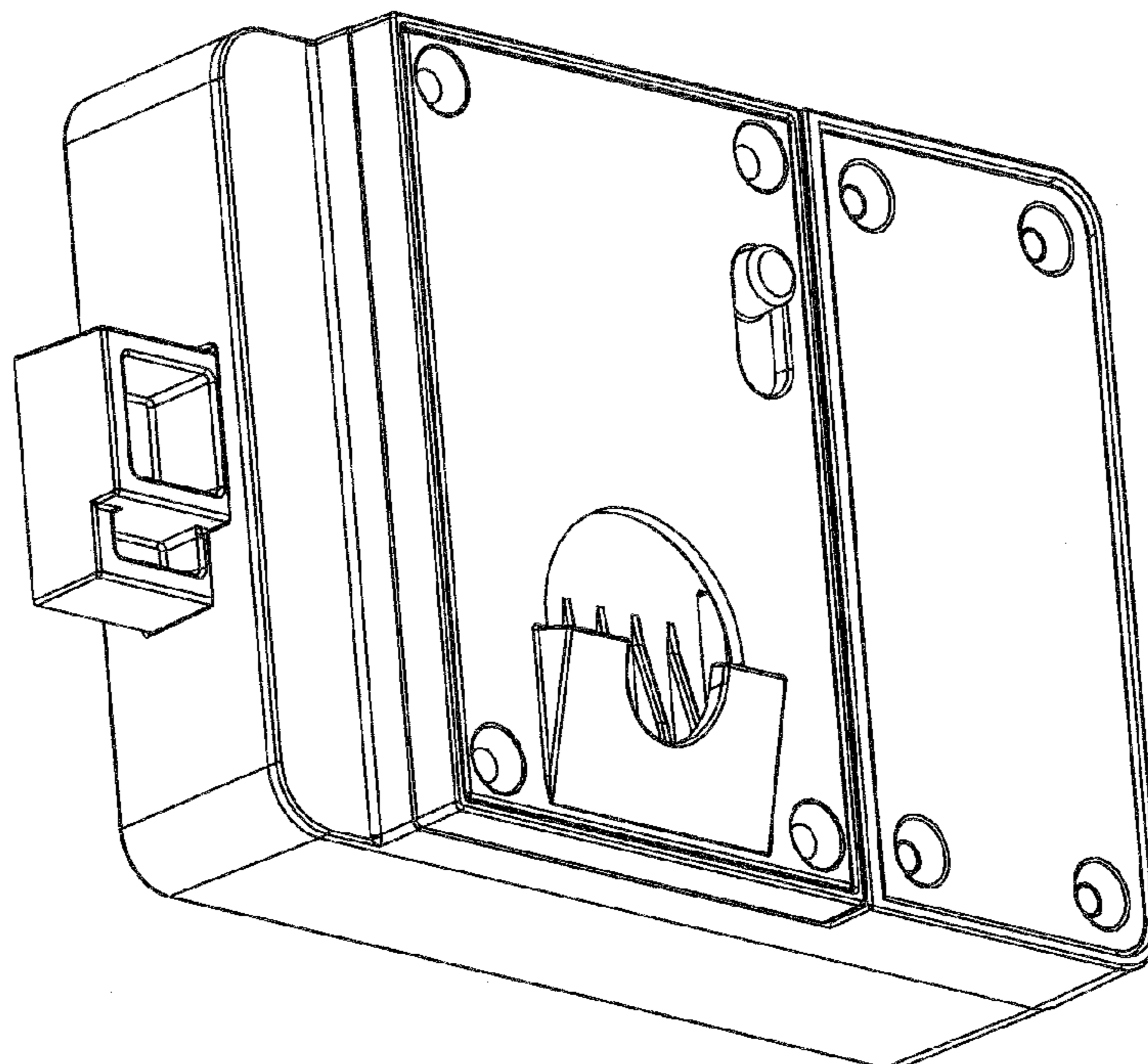
FIG. 5 is a bottom view of my housing design;

FIG. 6 is a right-side view of my housing design; and,

FIG. 7 is a back view of my housing design.

The broken lines shown in the drawings are included for the purpose of illustrating unclaimed portions of the housing and form no part of the claimed design.

1 Claim, 7 Drawing Sheets



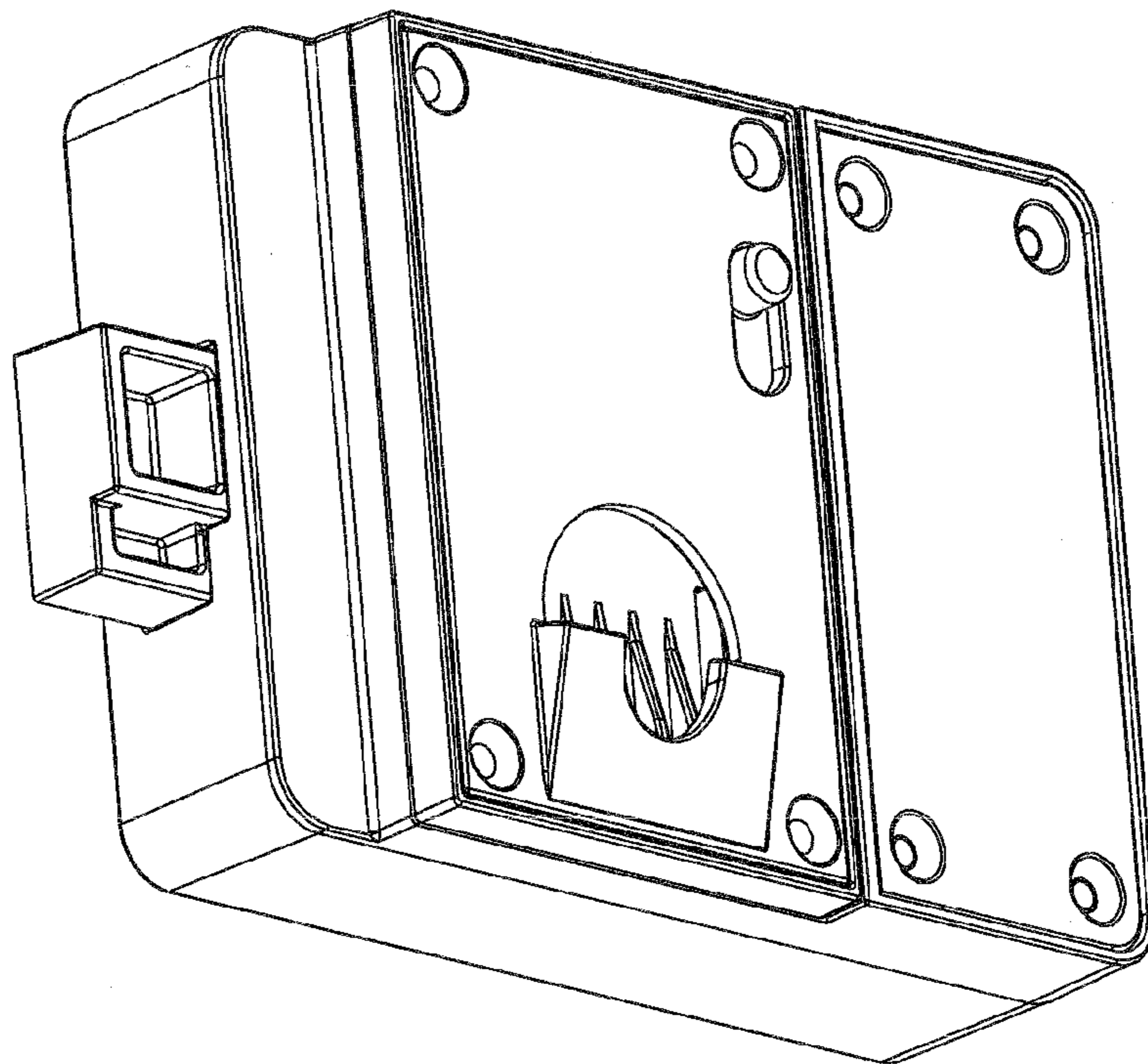


FIG. 1

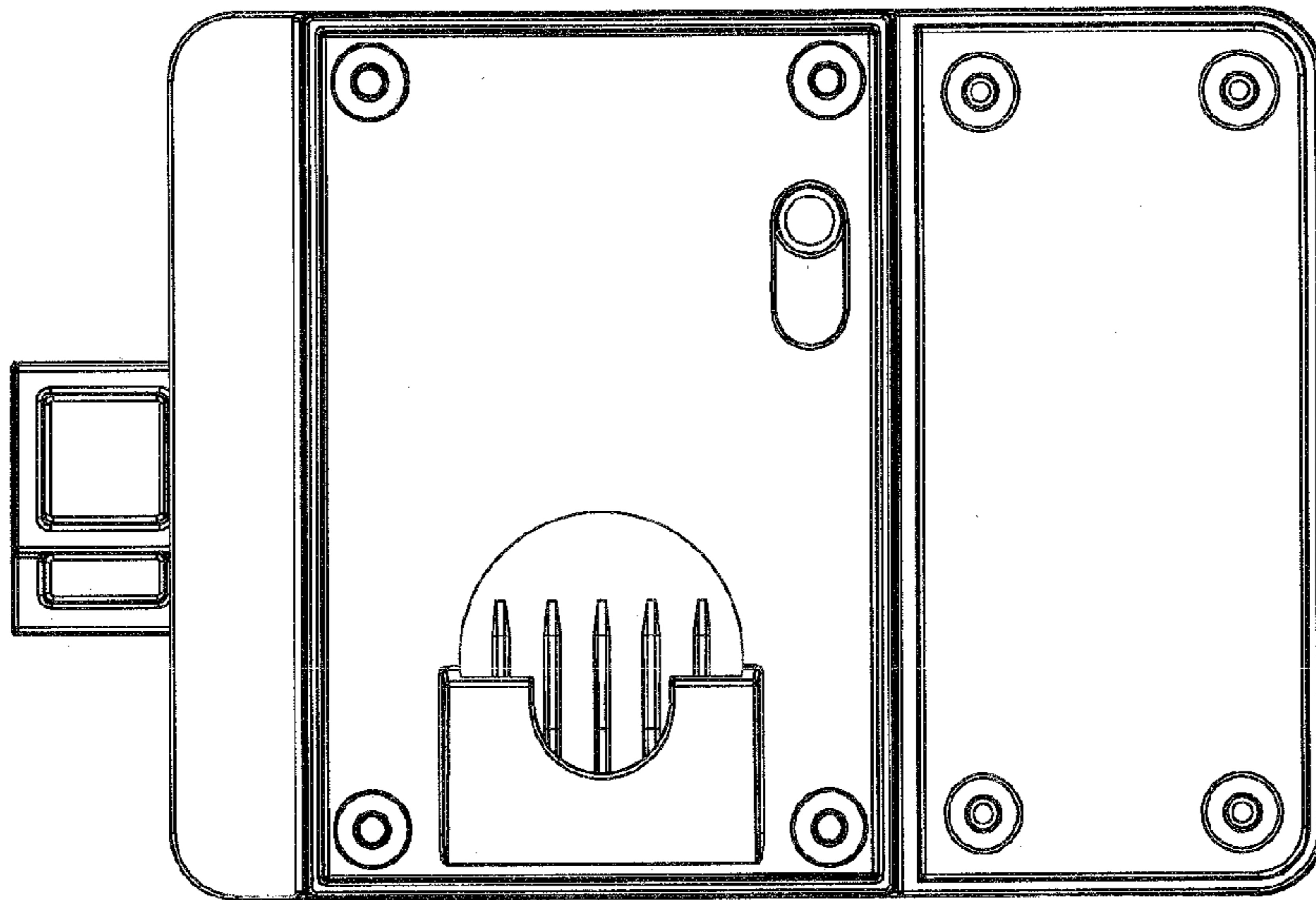


FIG. 2

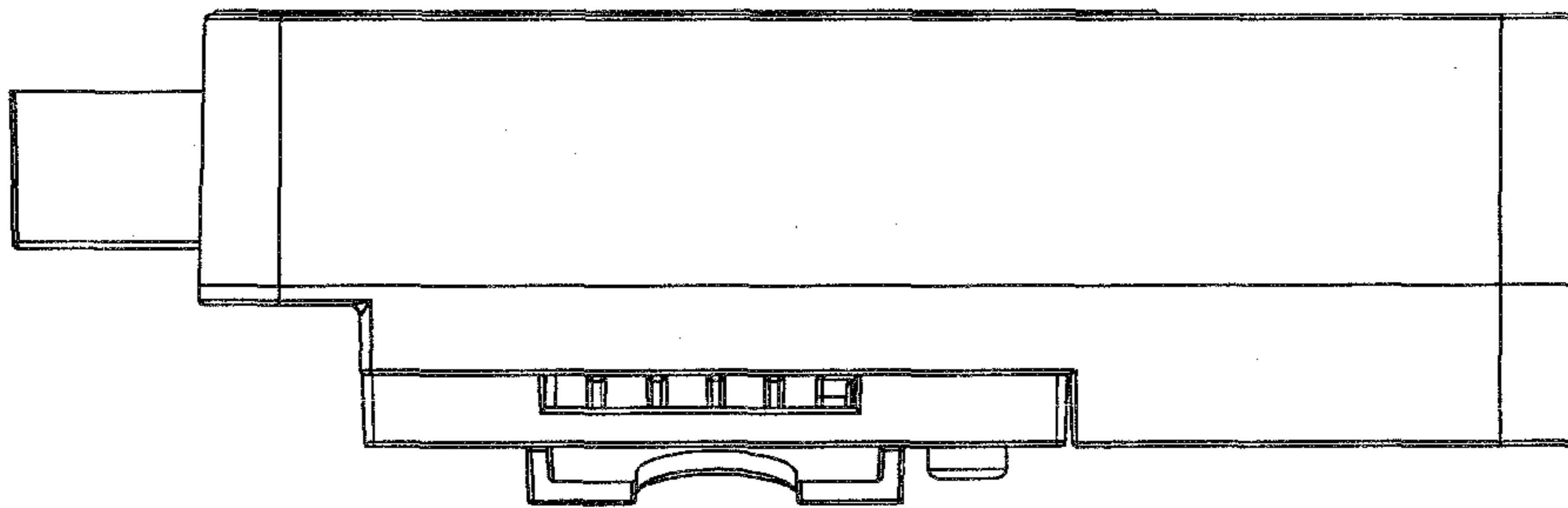


FIG. 3

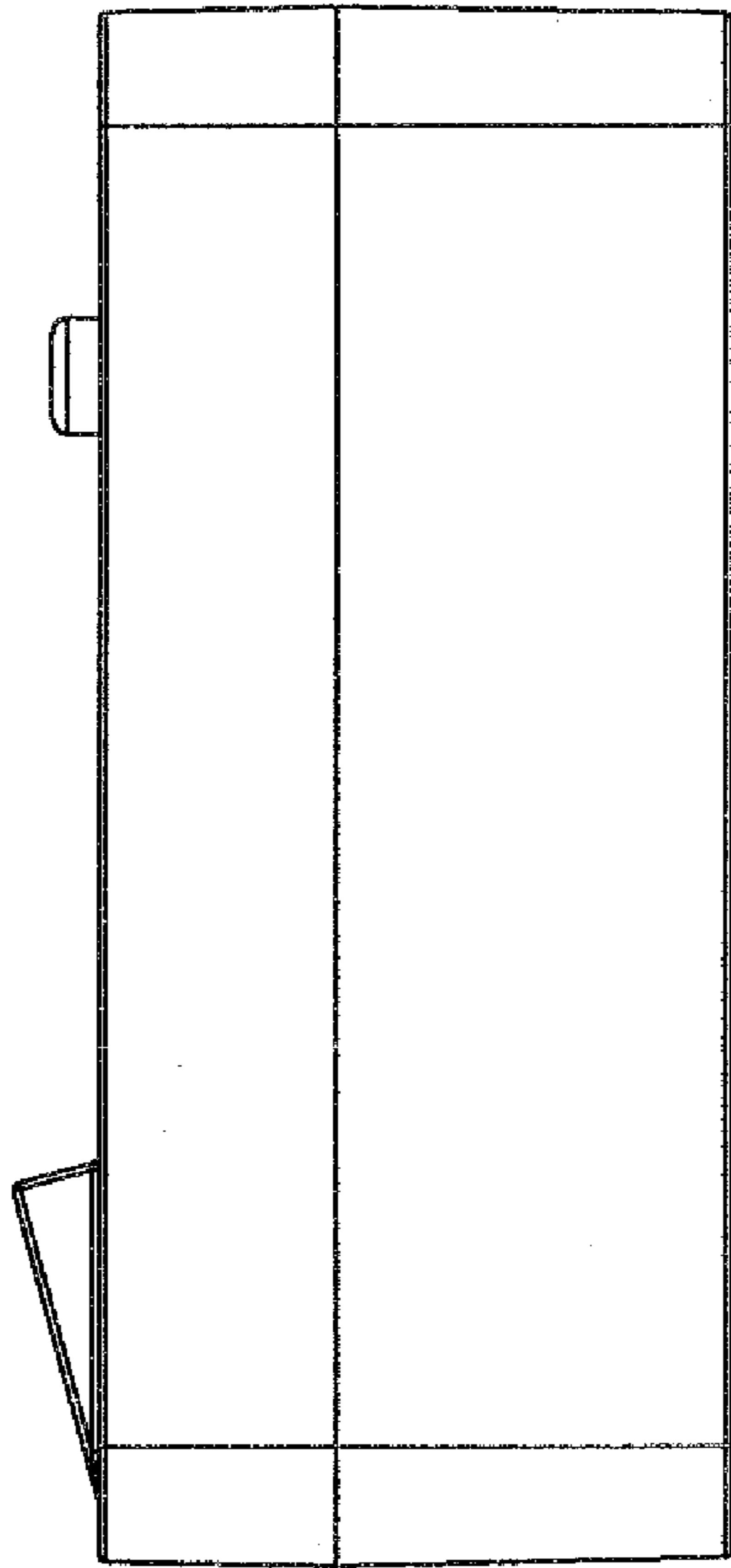


FIG. 4

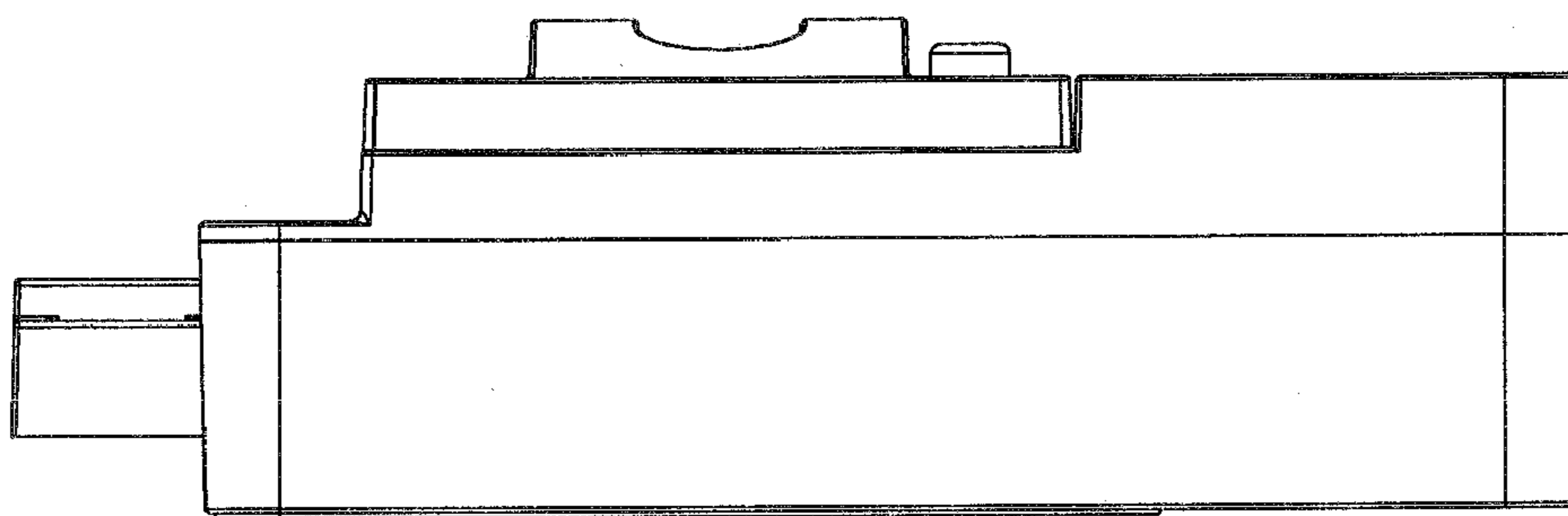


FIG. 5

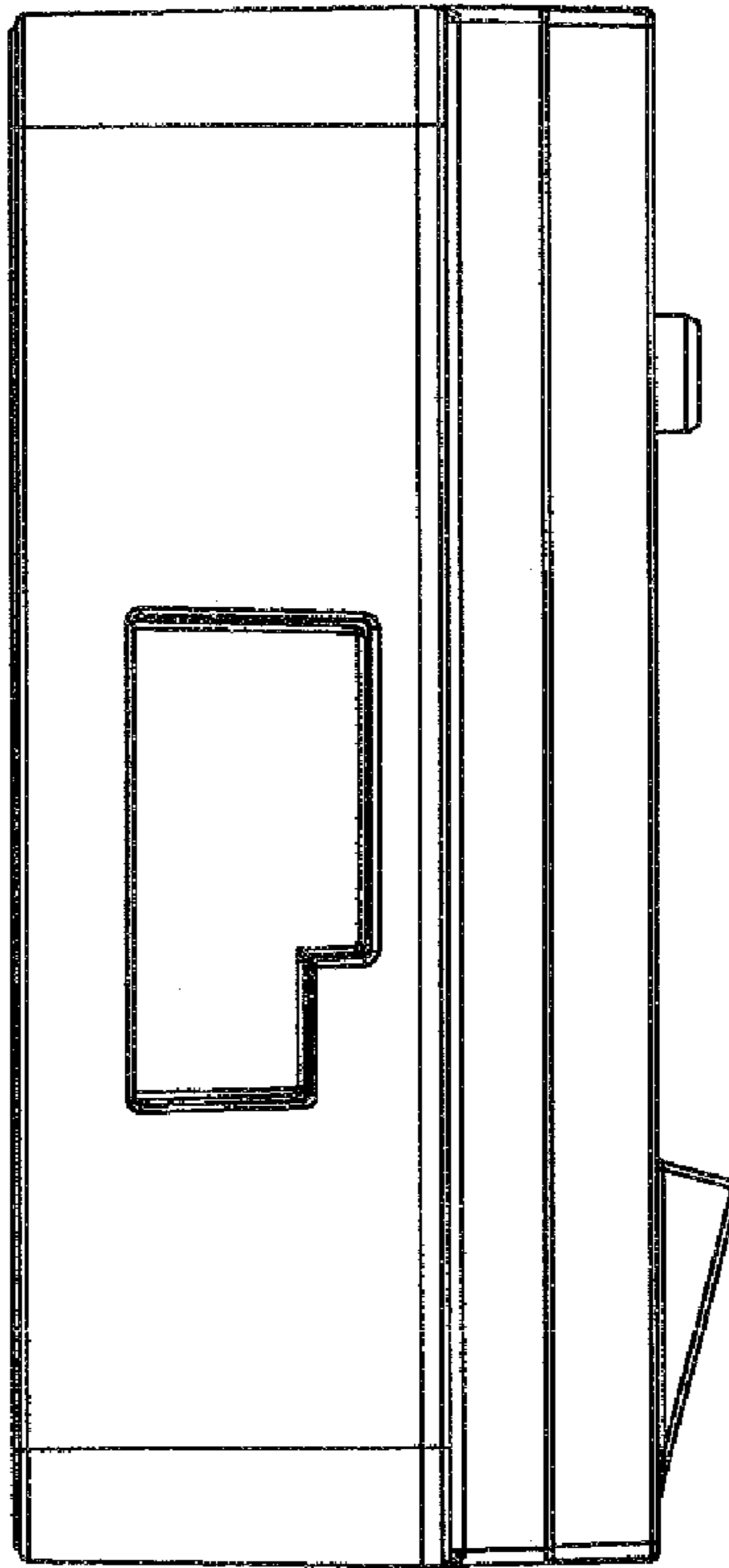


FIG. 6

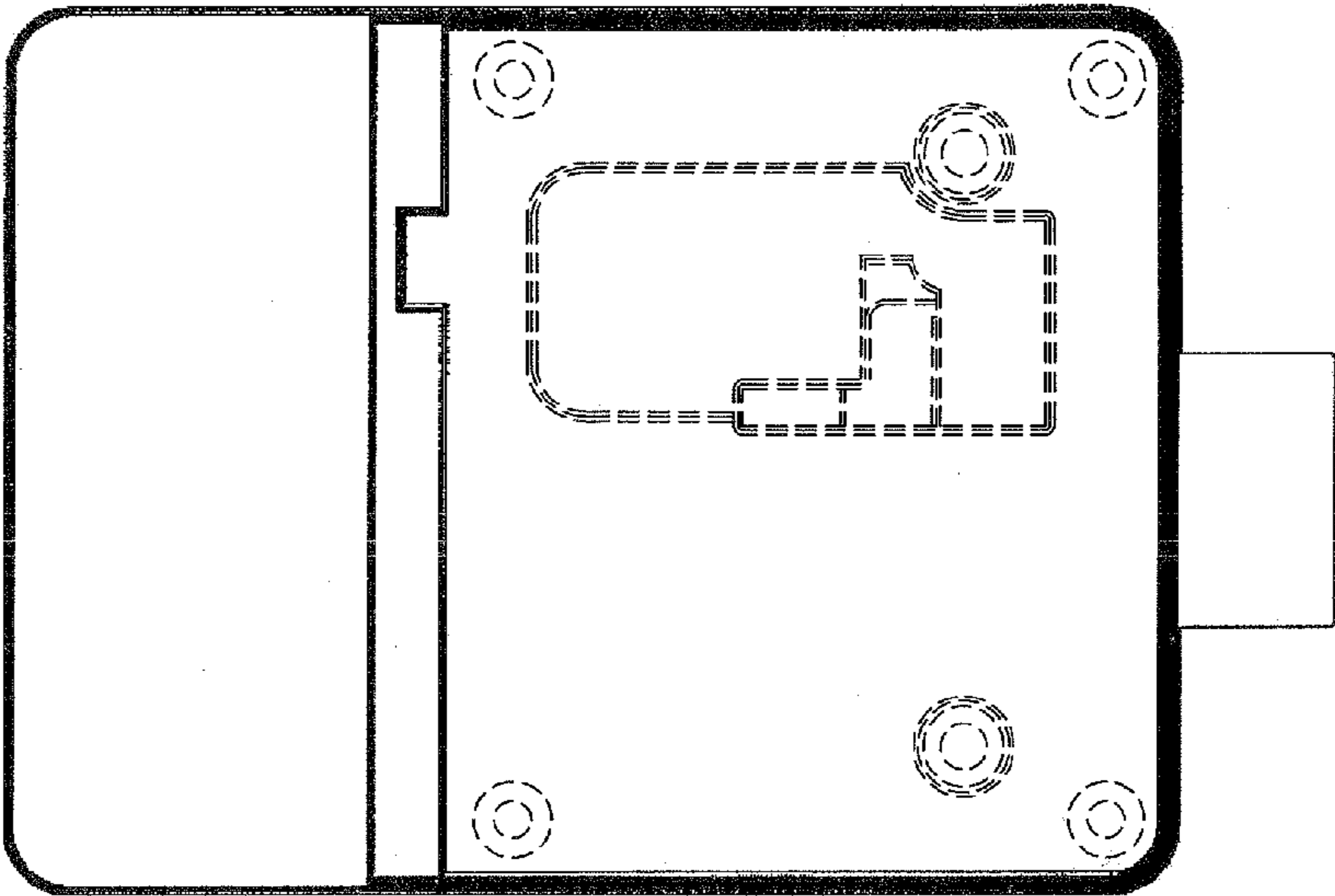


FIG. 7