



US00D630585S

(12) **United States Design Patent**  
**Sakamoto**

(10) **Patent No.:** **US D630,585 S**

(45) **Date of Patent:** **\*\* Jan. 11, 2011**

(54) **CONNECTOR HOUSING**

(75) Inventor: **Tetsuma Sakamoto**, Tokyo (JP)

(73) Assignee: **Tyco Electronics Japan G. K.**,  
Kanagawa-Ken (JP)

(\*\*) Term: **14 Years**

(21) Appl. No.: **29/353,923**

(22) Filed: **Jan. 15, 2010**

**Related U.S. Application Data**

(63) Continuation-in-part of application No. 29/336,628,  
filed on May 6, 2009, now Pat. No. Des. 610,996.

(30) **Foreign Application Priority Data**

Jun. 11, 2008 (JP) ..... 2008-028504

(51) **LOC (9) Cl.** ..... **13-03**

(52) **U.S. Cl.** ..... **D13/147**

(58) **Field of Classification Search** ..... D13/133,  
D13/146-147, 154, 184; 439/247-248, 350,  
439/352, 354, 357, 540.1, 541.5, 607.01,  
439/607.04, 607.05, 607.17, 607.25, 607.34,  
439/607.41, 607.53, 660, 677, 680, 682

See application file for complete search history.

(56) **References Cited**

**U.S. PATENT DOCUMENTS**

D235,552 S \* 6/1975 Derr et al. .... D13/146

D308,511 S \* 6/1990 Makita et al. .... D13/146

D524,755 S \* 7/2006 Kudo ..... D13/147

D597,492 S \* 8/2009 Sakamoto ..... D13/147

D597,956 S \* 8/2009 Sakamoto ..... D13/147

D597,957 S \* 8/2009 Sakamoto ..... D13/147

D597,958 S \* 8/2009 Sakamoto ..... D13/147

D610,996 S \* 3/2010 Sakamoto ..... D13/147

D610,997 S \* 3/2010 Sakamoto ..... D13/147

\* cited by examiner

*Primary Examiner*—Daniel D Bui

(74) *Attorney, Agent, or Firm*—Barley Snyder LLC

(57) **CLAIM**

The ornamental design for a connector housing, as shown and described.

**DESCRIPTION**

FIG. 1 is a front elevation view of a connector housing, showing my new design;

FIG. 2 is a top plan view thereof;

FIG. 3 is a bottom plan view thereof;

FIG. 4 is a rear elevation view thereof;

FIG. 5 is a left side elevation view thereof;

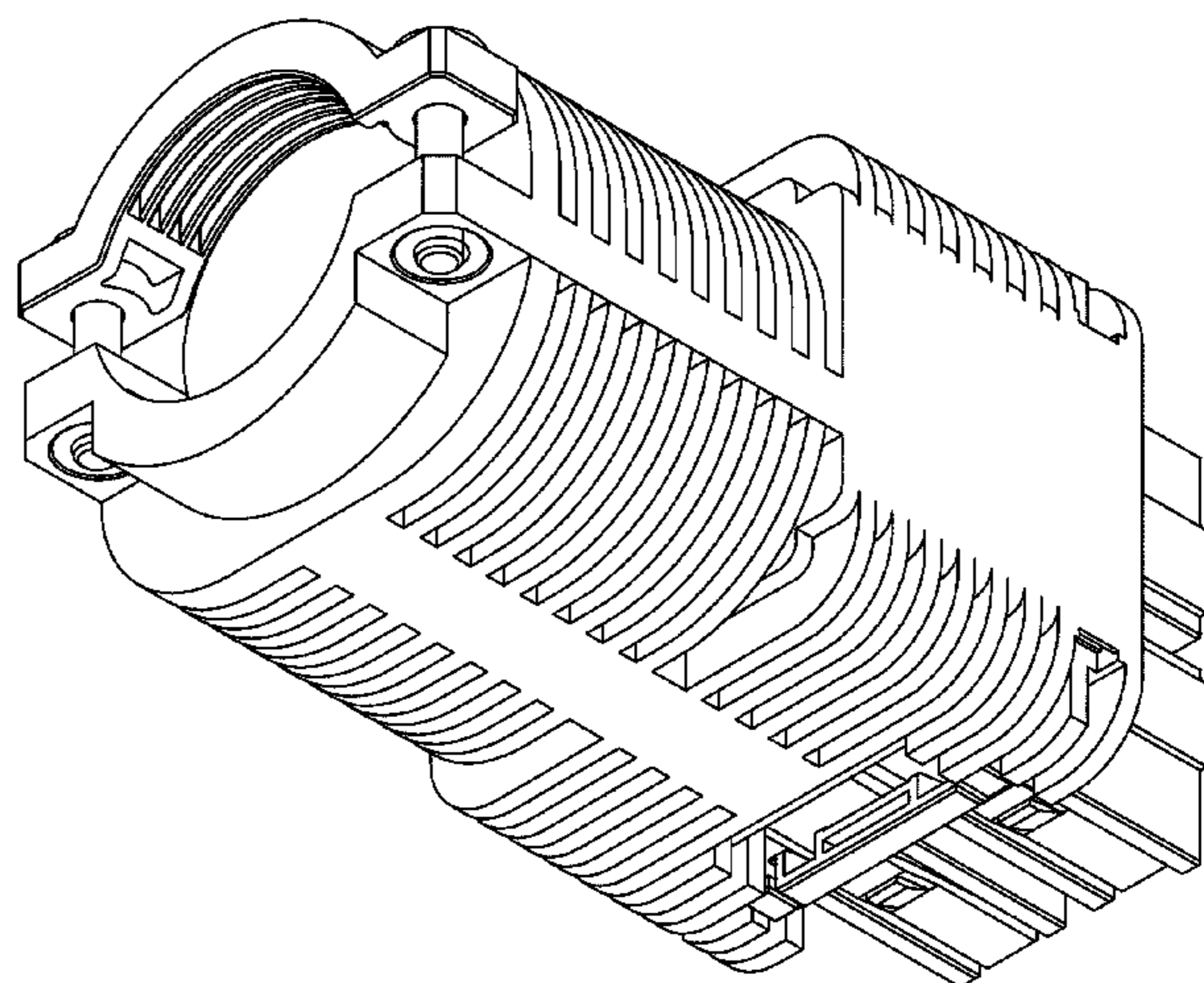
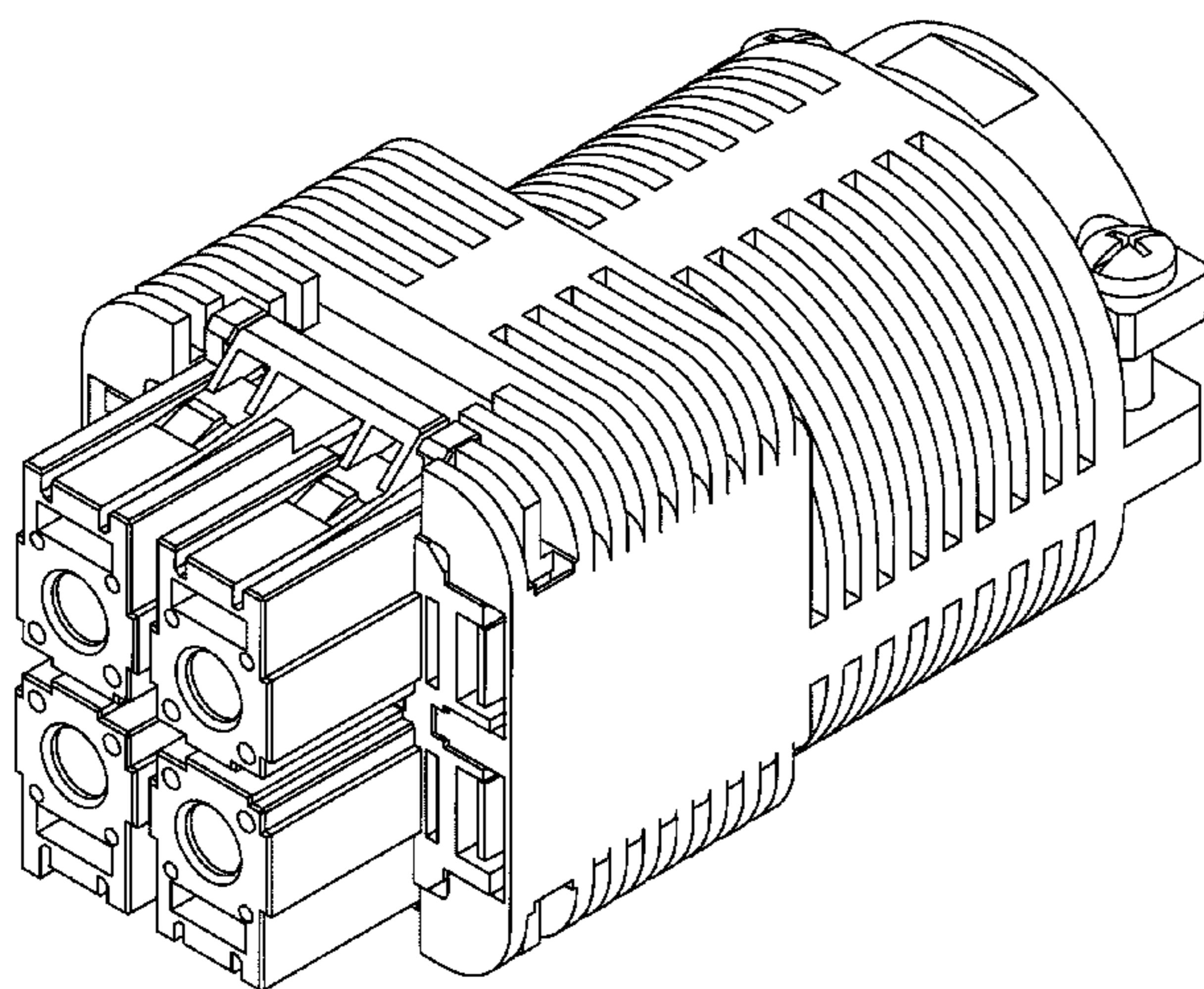
FIG. 6 is a right side elevation view thereof;

FIG. 7 is a front, top, and left side perspective view thereof; and,

FIG. 8 is a rear, bottom, and right side perspective view.

The broken lines of the internal elements of the connector in FIGS. 5 and 6 are included to show unclaimed subject matter only and form no part of the claimed design.

**1 Claim, 8 Drawing Sheets**



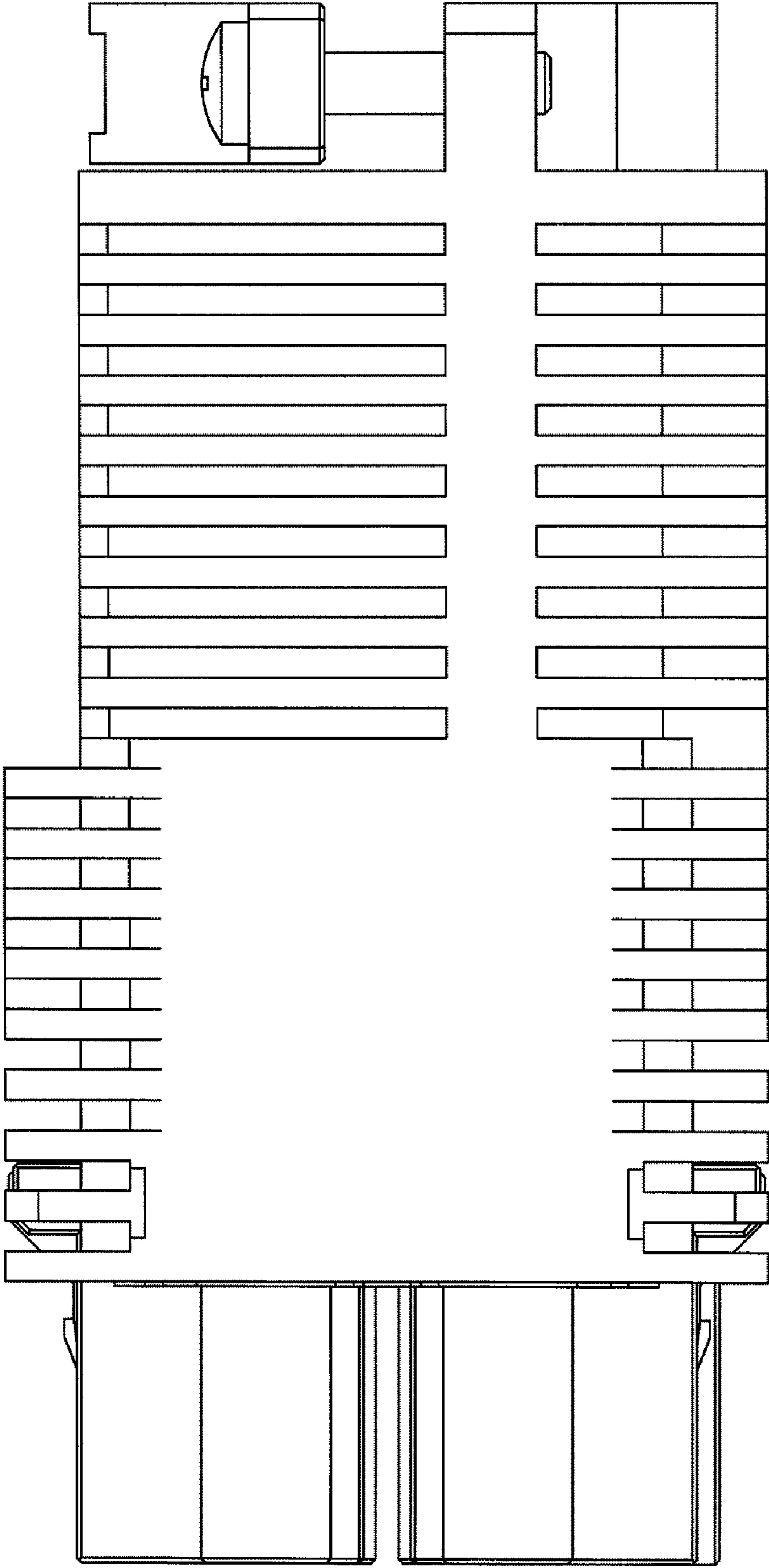


Fig. 1

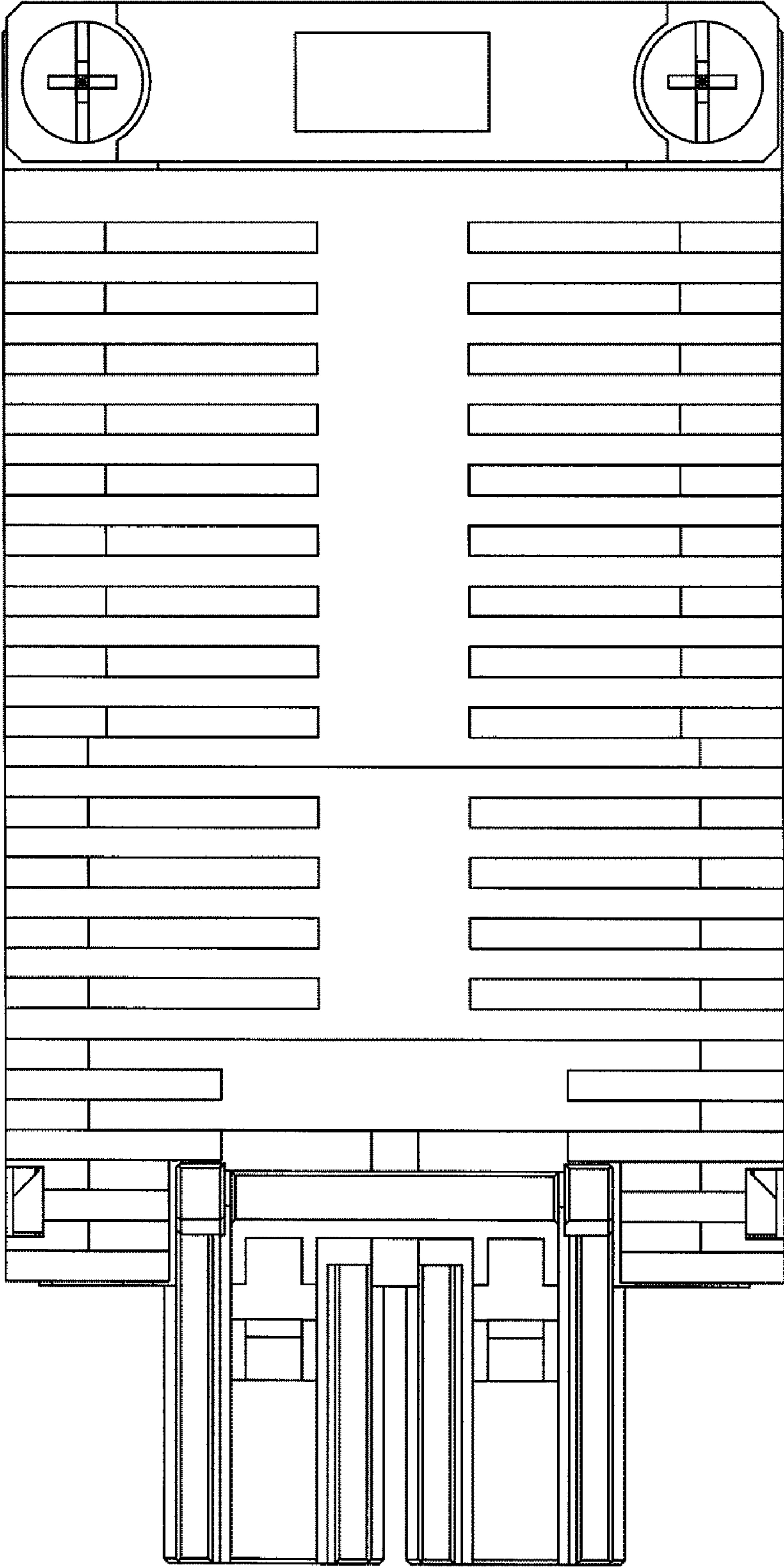


Fig. 2

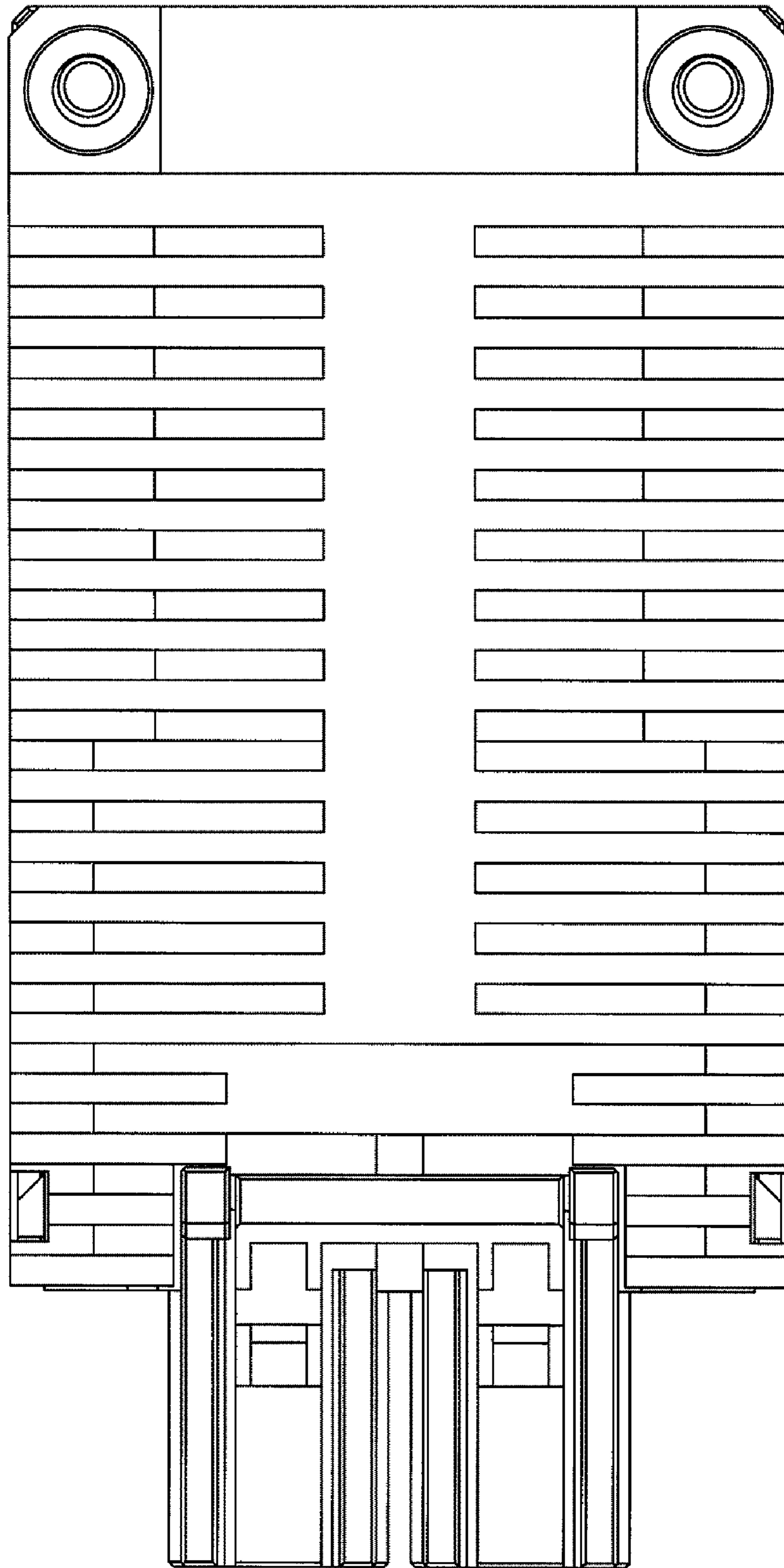


Fig. 3

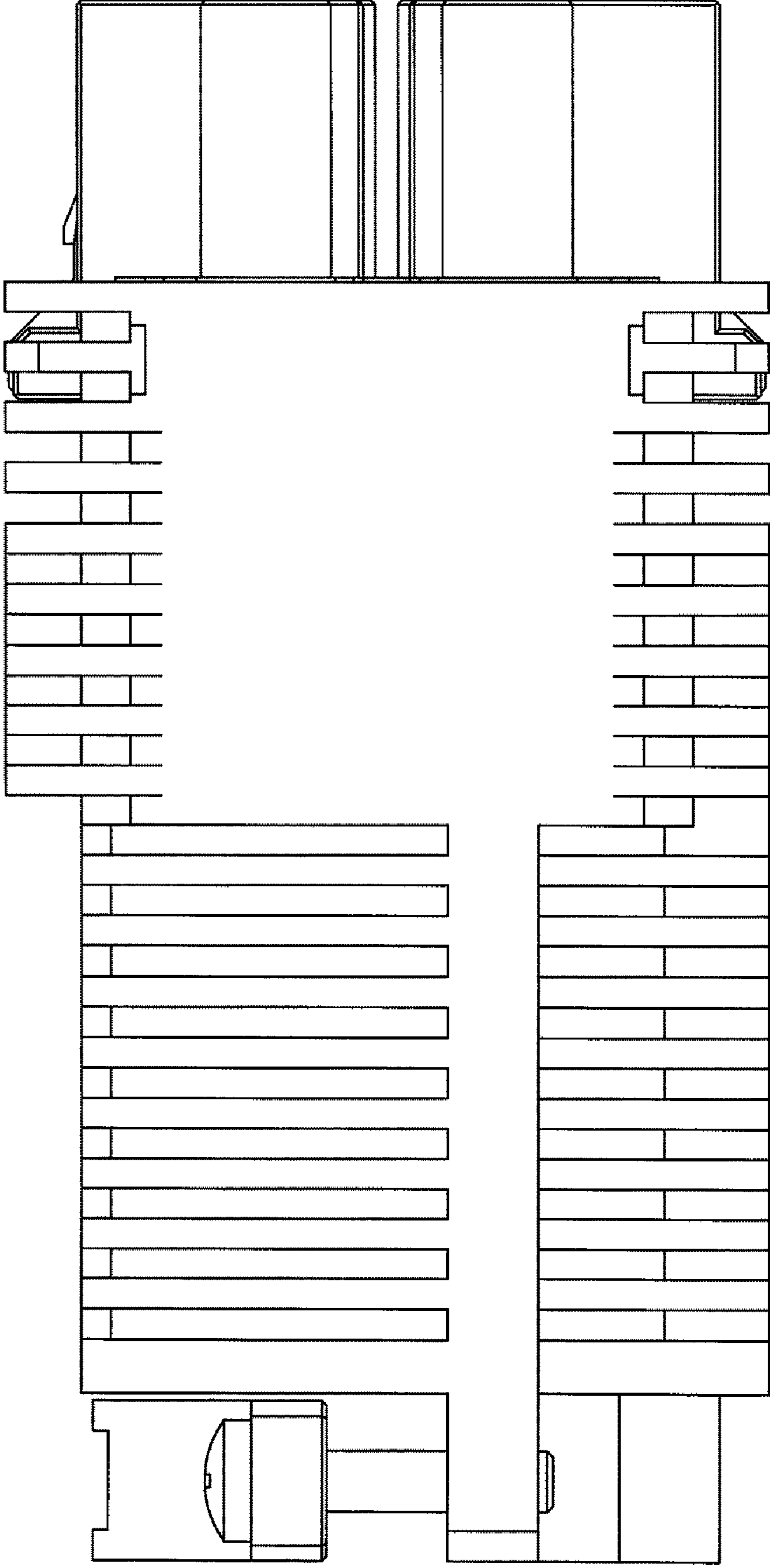


Fig. 4

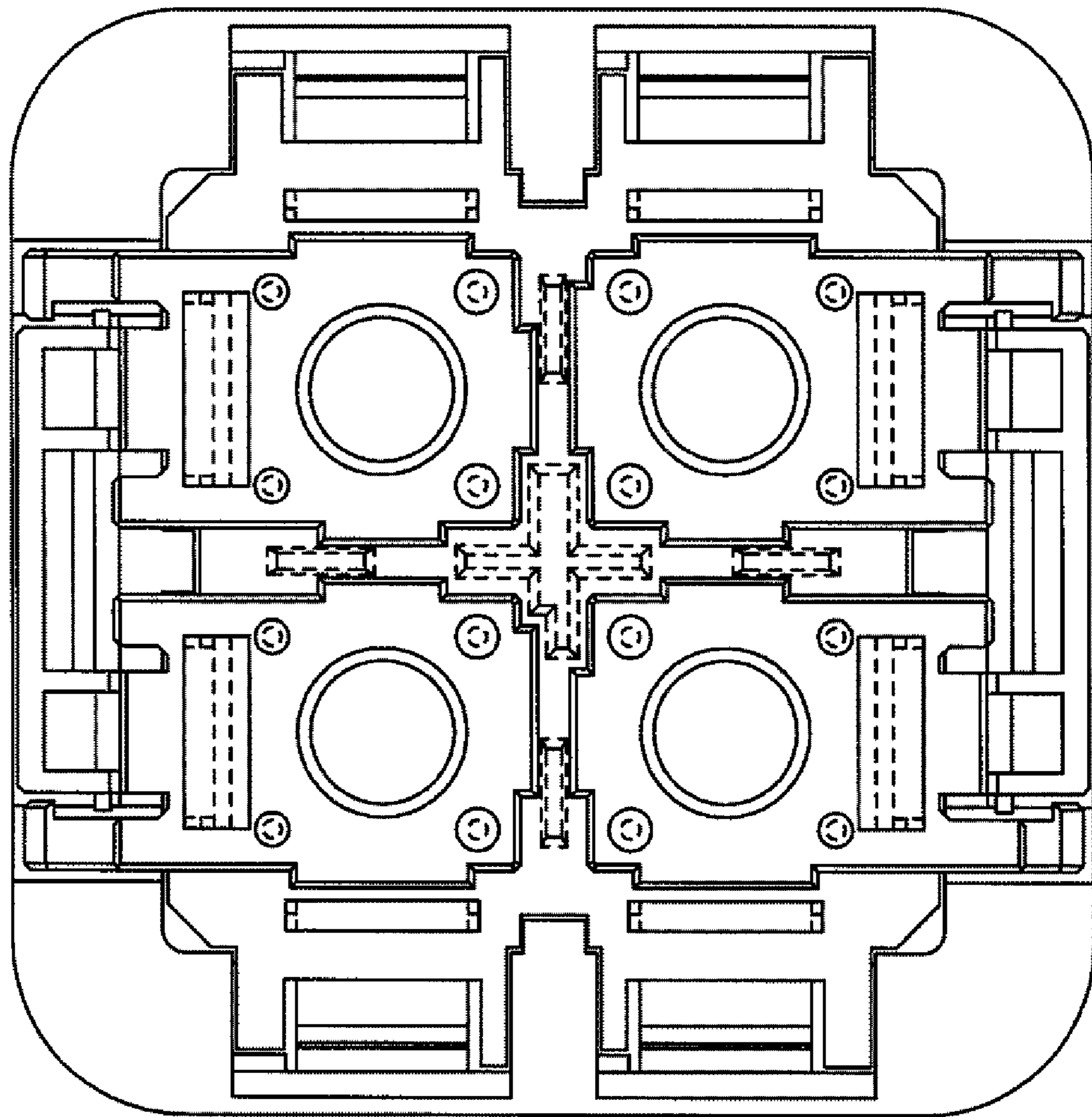


Fig. 5

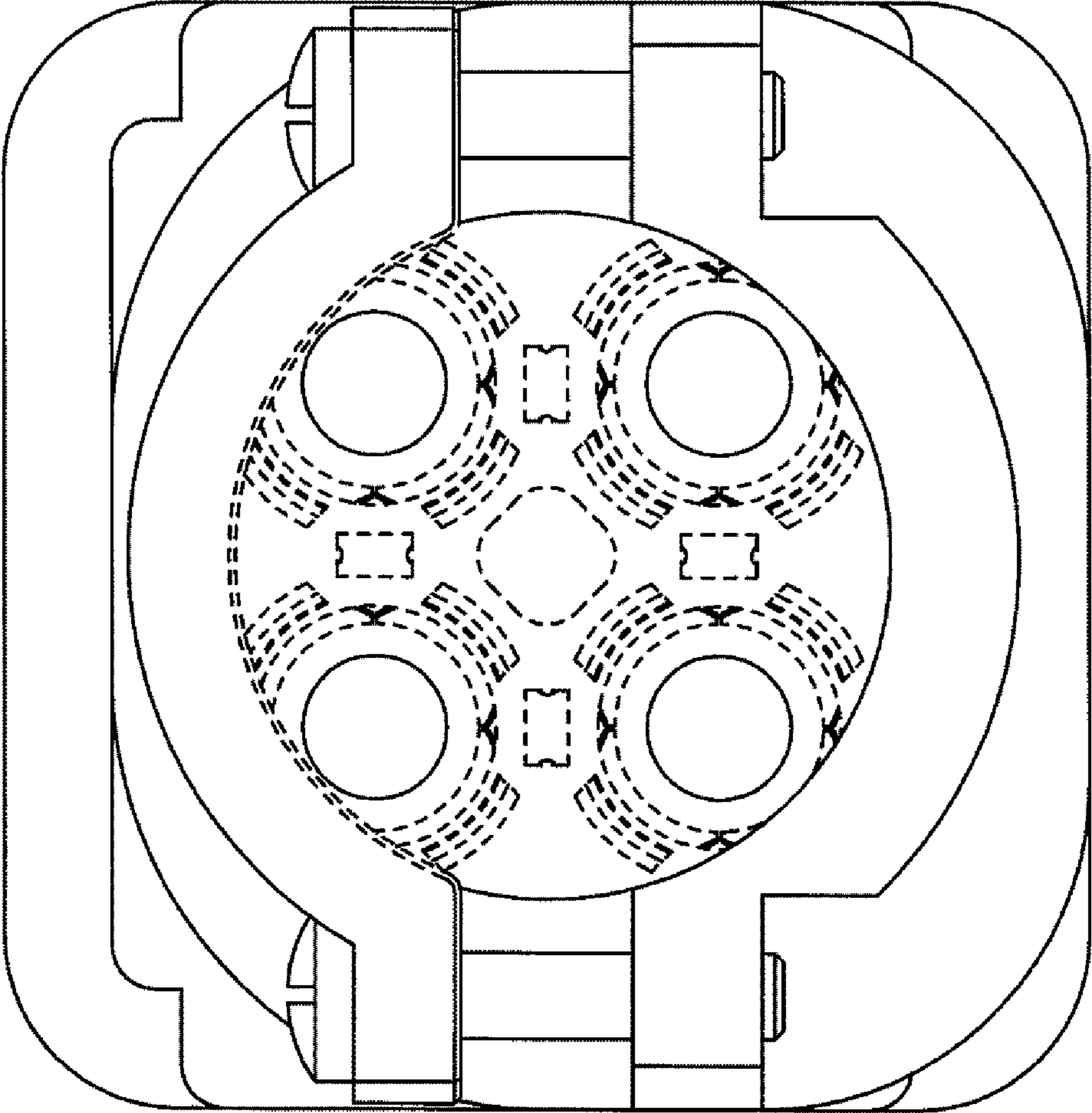


Fig. 6

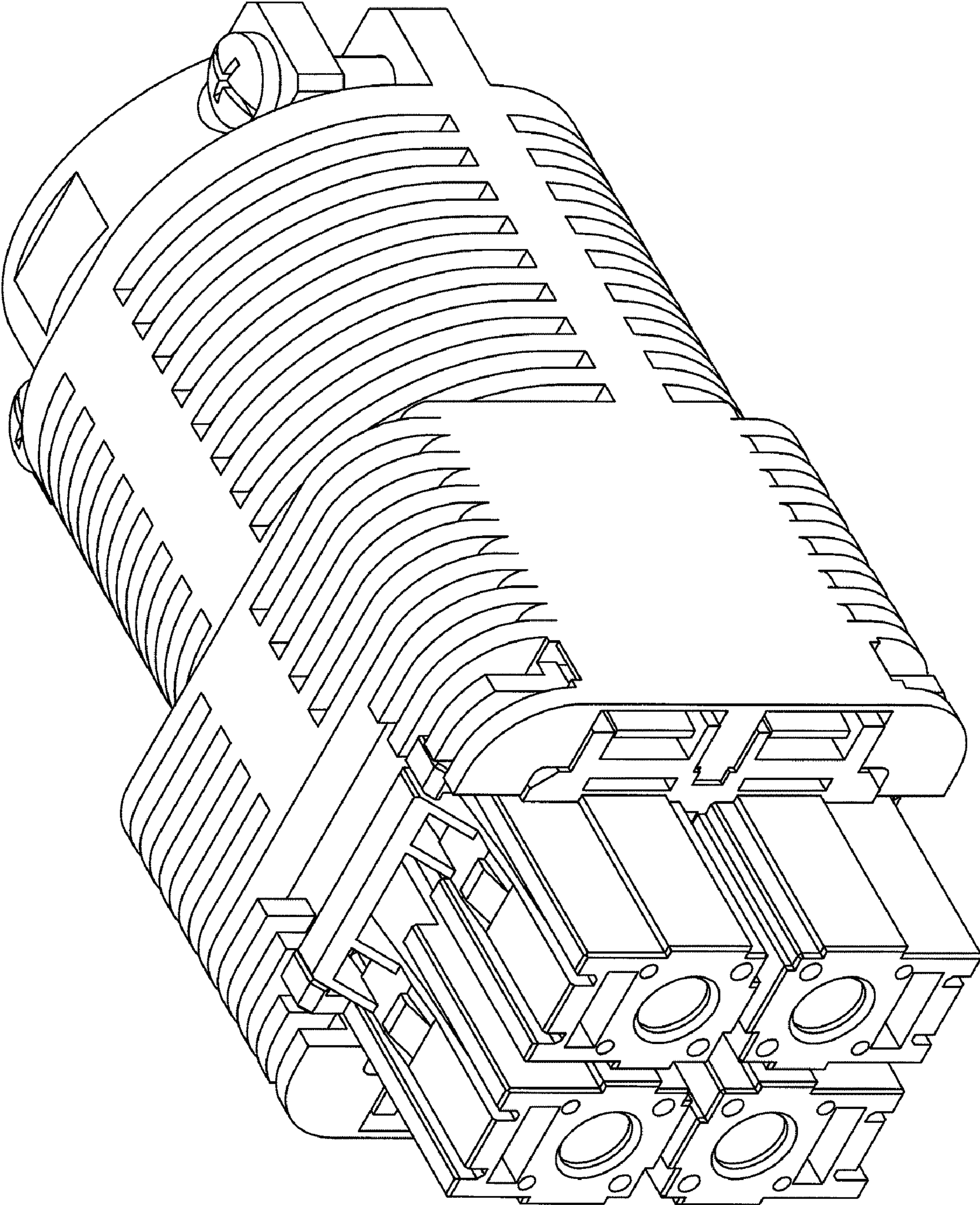


Fig. 7



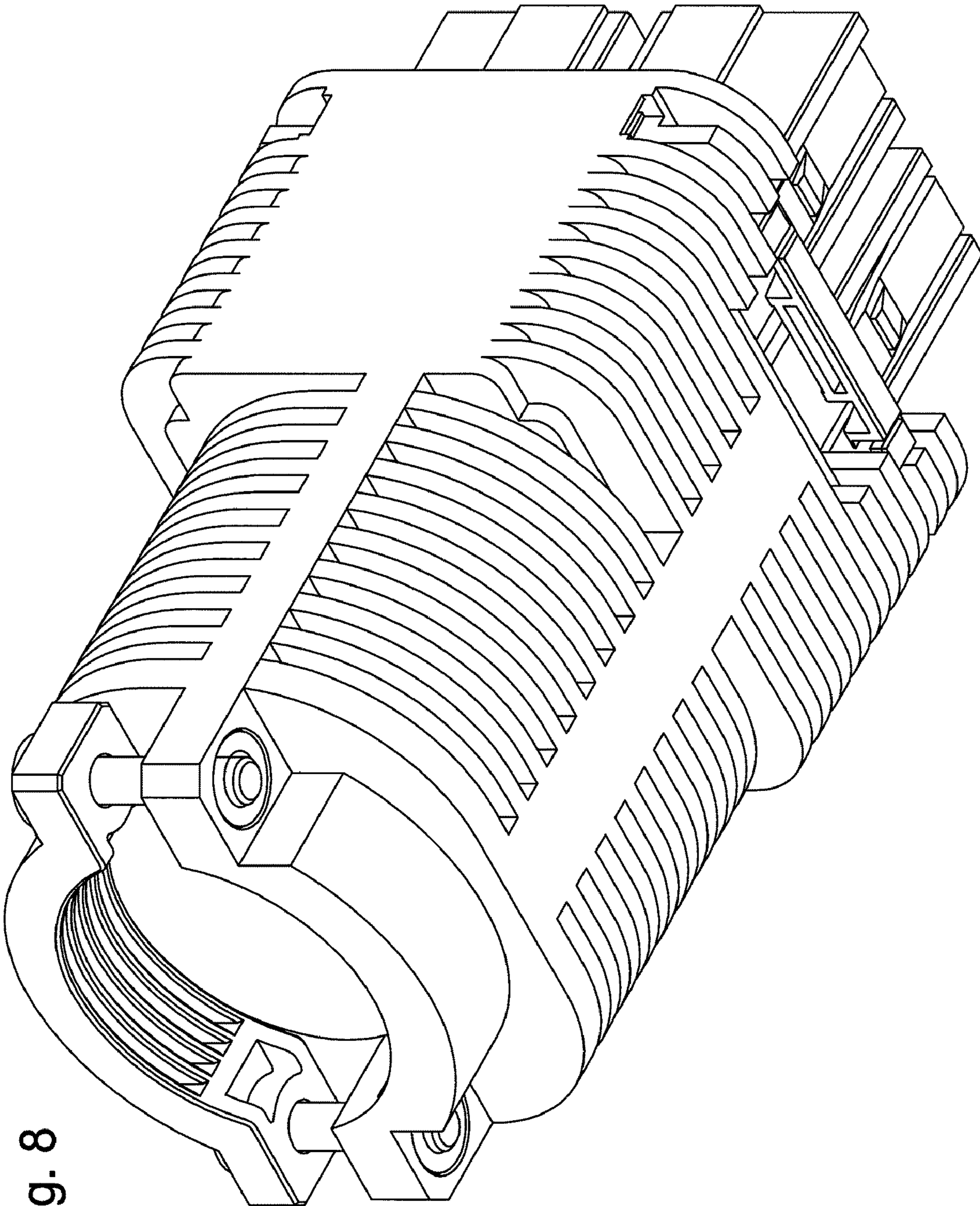


Fig. 8