

US00D630584S

(12) **United States Design Patent**
Hirayama et al.

(10) **Patent No.:** **US D630,584 S**

(45) **Date of Patent:** **** Jan. 11, 2011**

(54) **ELECTRIC CONNECTOR**

(75) Inventors: **Takaaki Hirayama**, Odawara (JP);
Hideki Iijima, Machida (JP); **Naoya Matsuura**, Yokohama (JP)

(73) Assignee: **Molex Incorporated**, Lisle, IL (US)

(**) Term: **14 Years**

(21) Appl. No.: **29/336,840**

(22) Filed: **May 11, 2009**

(30) **Foreign Application Priority Data**

Nov. 13, 2008 (JP) 2008-029108

(51) **LOC (9) Cl.** **13-03**

(52) **U.S. Cl.** **D13/147**

(58) **Field of Classification Search** D13/147,
D13/154, 184; 439/62, 260, 325, 329, 395,
439/422, 492, 495, 499, 607-610

See application file for complete search history.

(56) **References Cited**

U.S. PATENT DOCUMENTS

D470,110 S * 2/2003 Yamane D13/147
D481,998 S * 11/2003 Saito et al. D13/147

D481,999 S * 11/2003 Saito et al. D13/147
D561,699 S * 2/2008 Moritake et al. D13/147
D600,209 S * 9/2009 Matoba D13/147
D600,647 S * 9/2009 Hemmi et al. D13/147
D600,648 S * 9/2009 Hemmi et al. D13/147

* cited by examiner

Primary Examiner—Daniel D Bui

(74) *Attorney, Agent, or Firm*—Timothy M. Morella

(57) **CLAIM**

The ornamental design for the electric connector, as shown and described.

DESCRIPTION

FIG. 1 illustrates a front, top and right perspective view of an electric connector, showing our new design;

FIG. 2 illustrates a front elevation view thereof;

FIG. 3 illustrates a rear elevation view thereof;

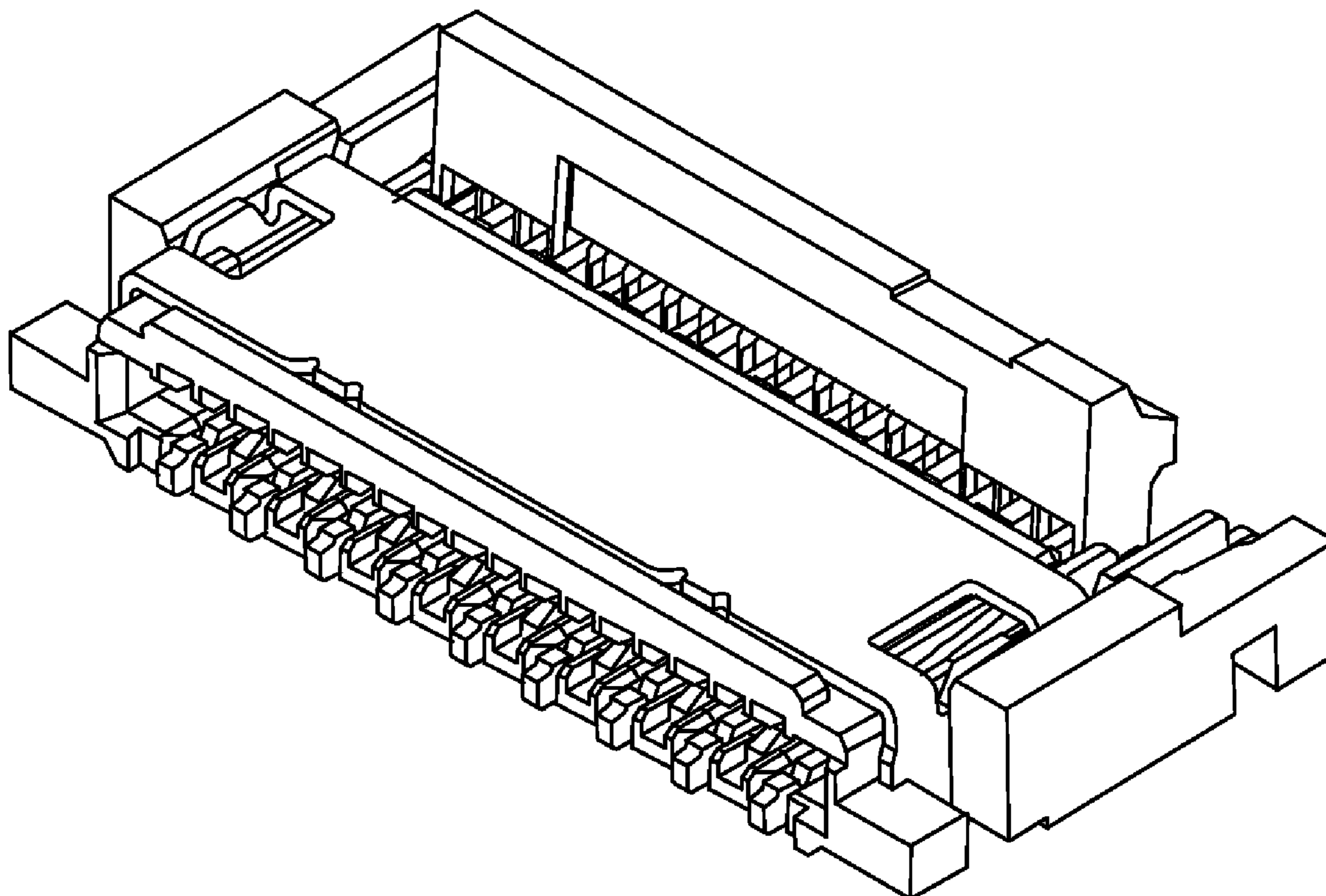
FIG. 4 illustrates a top plan view thereof;

FIG. 5 illustrates a bottom plan view thereof;

FIG. 6 illustrates a right side elevation view thereof; and,

FIG. 7 illustrates a left side elevation view thereof.

1 Claim, 2 Drawing Sheets



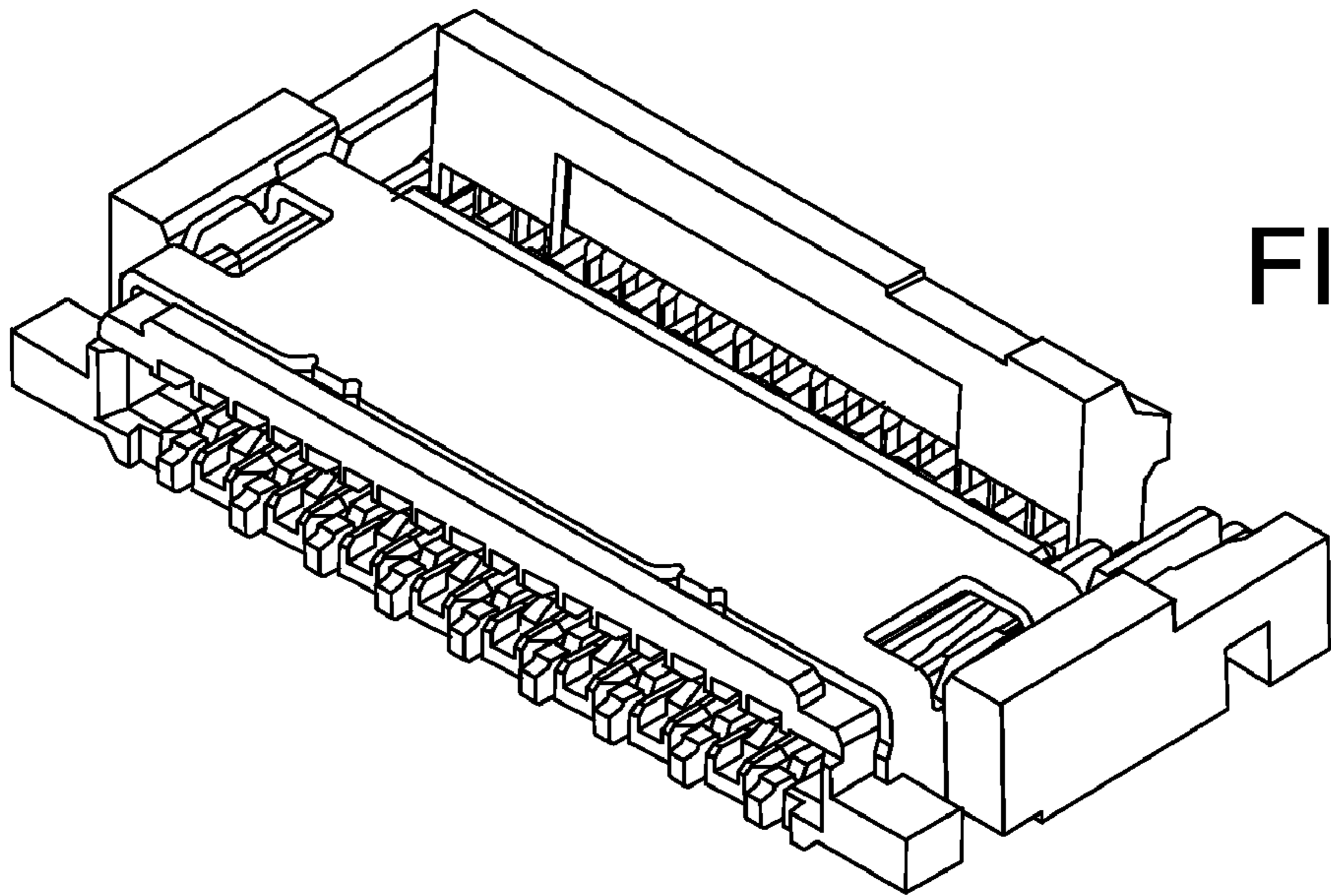


FIG.1

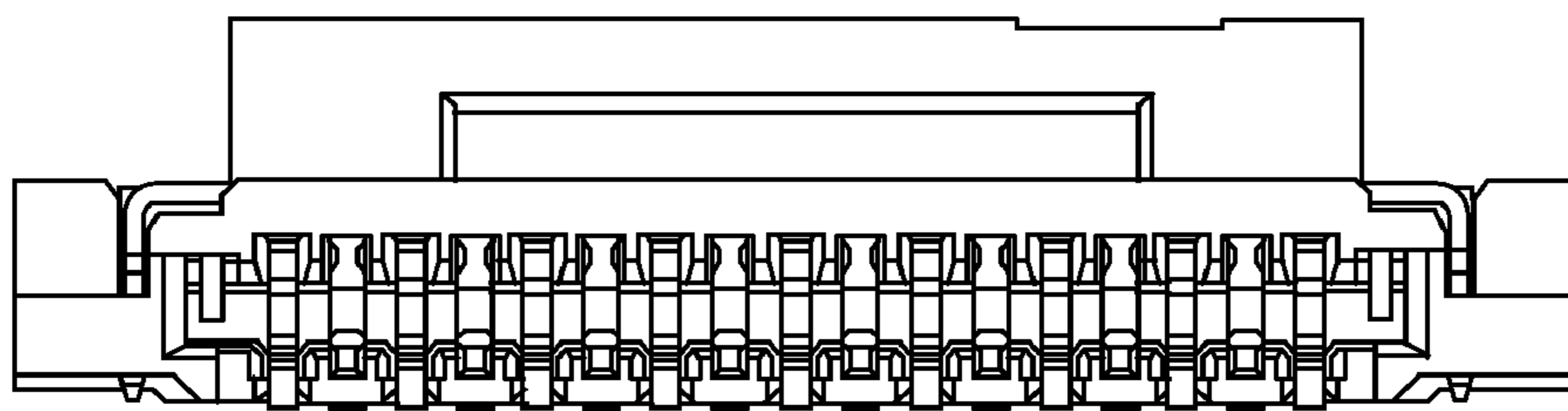


FIG.2

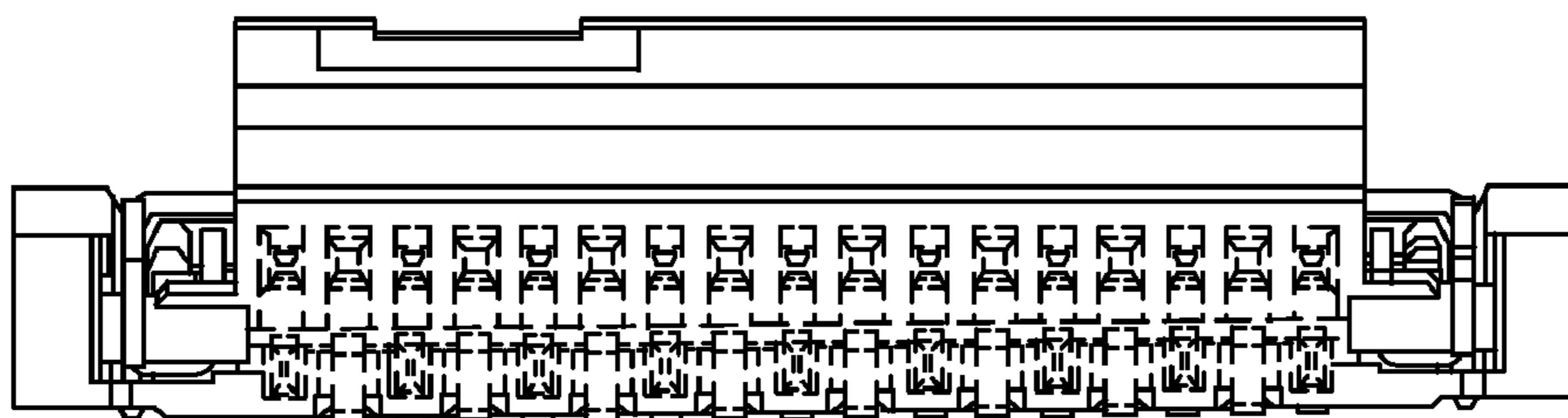


FIG.3

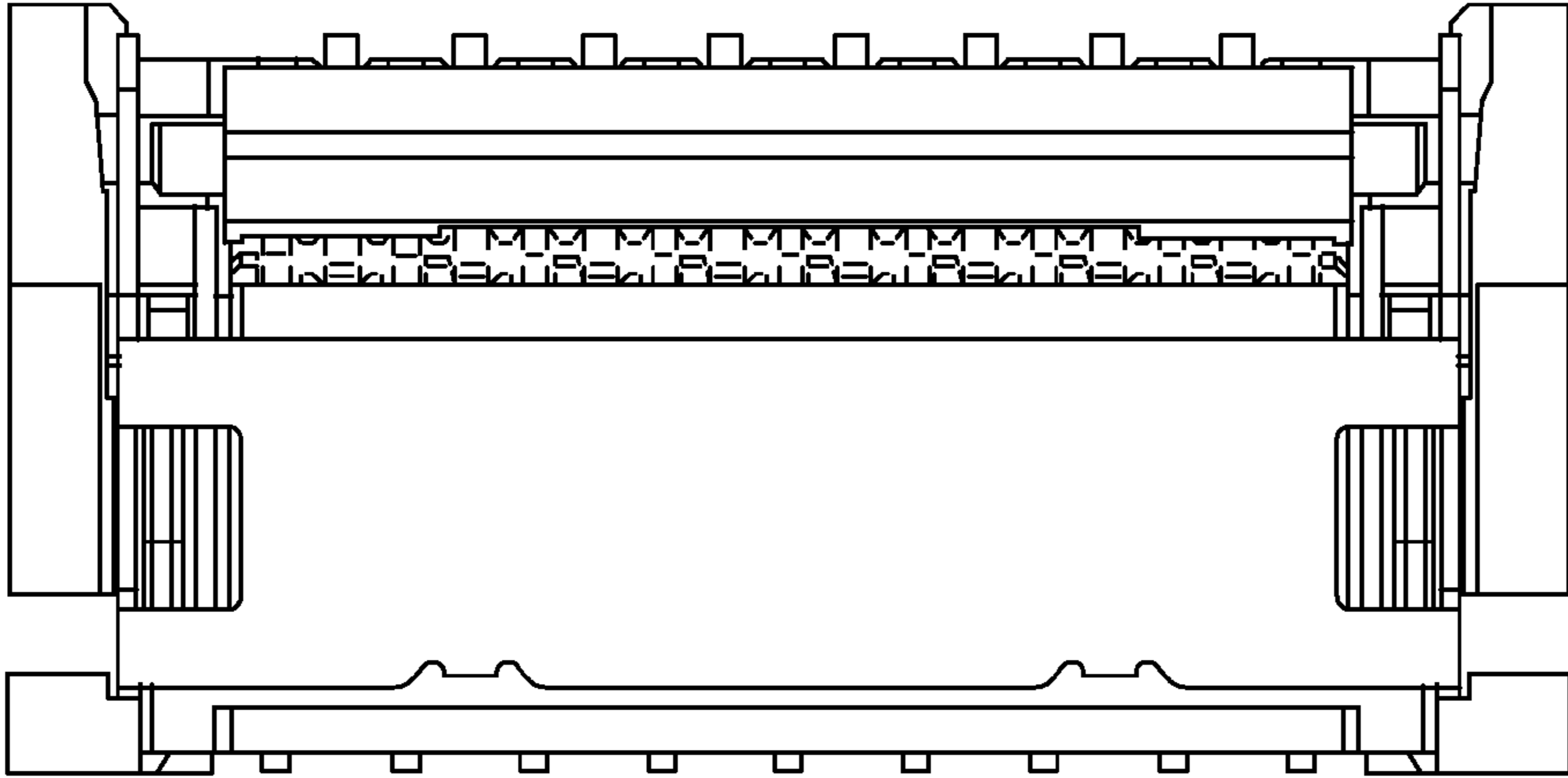


FIG. 4

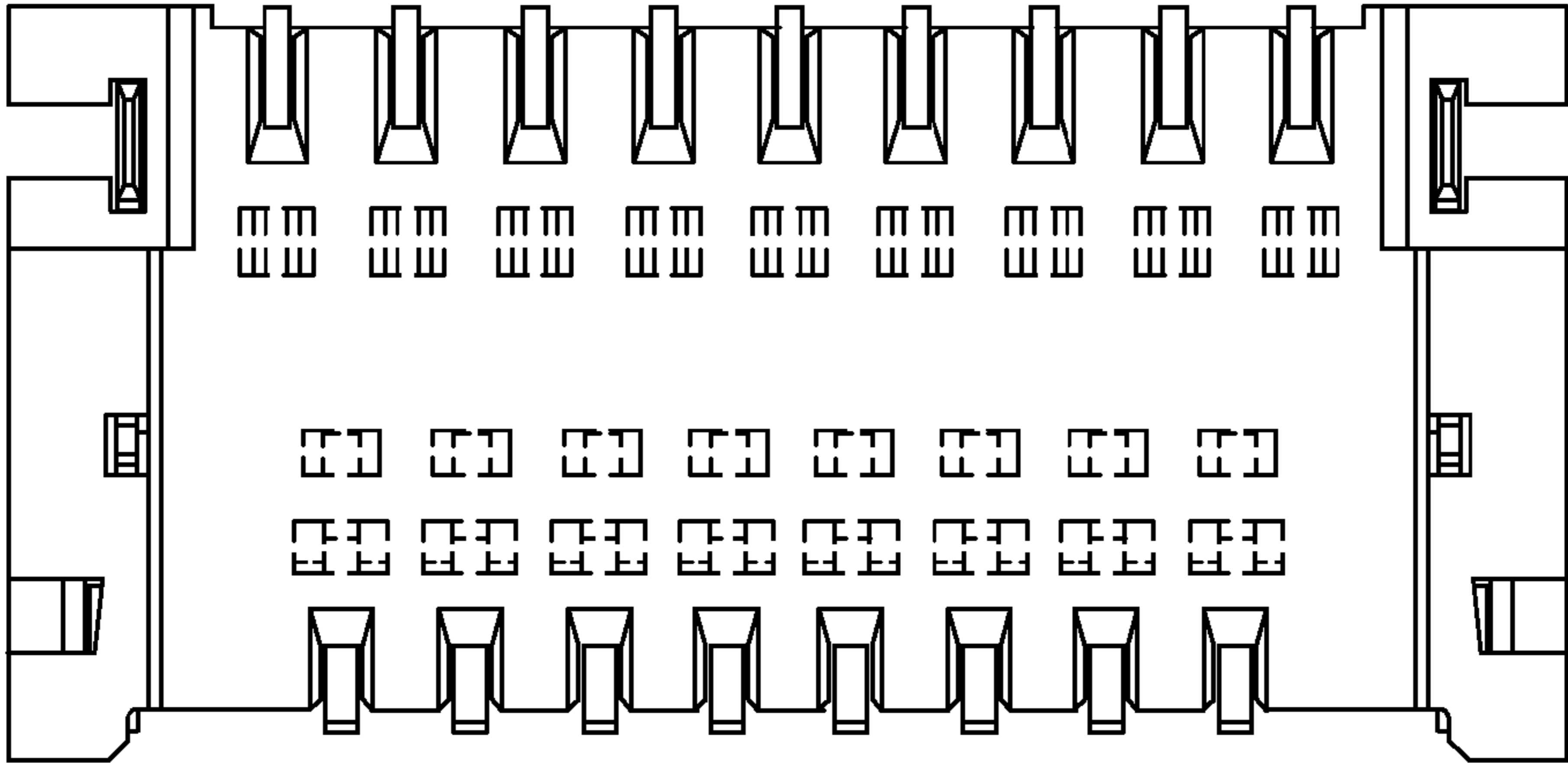


FIG. 5

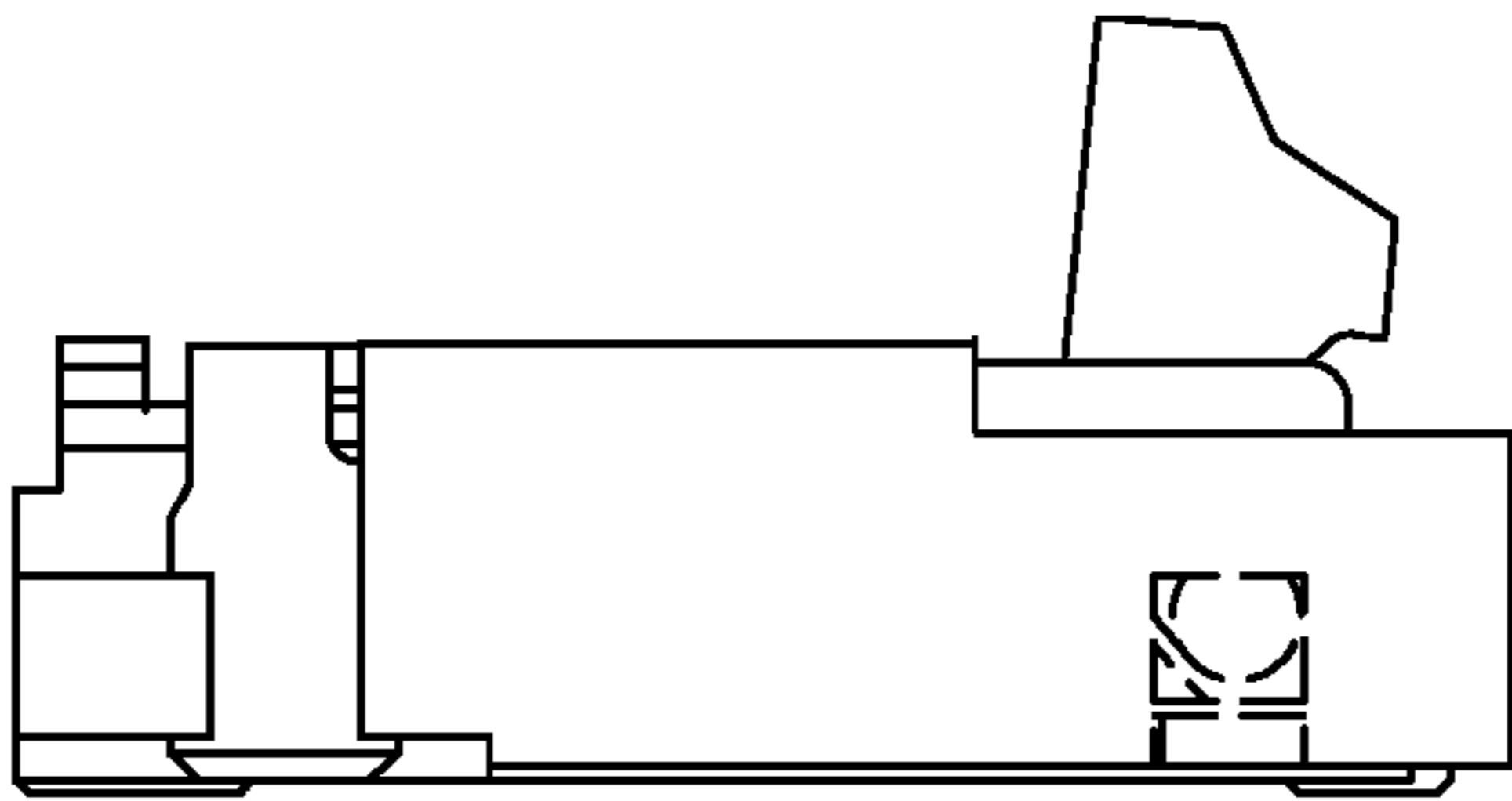


FIG. 6

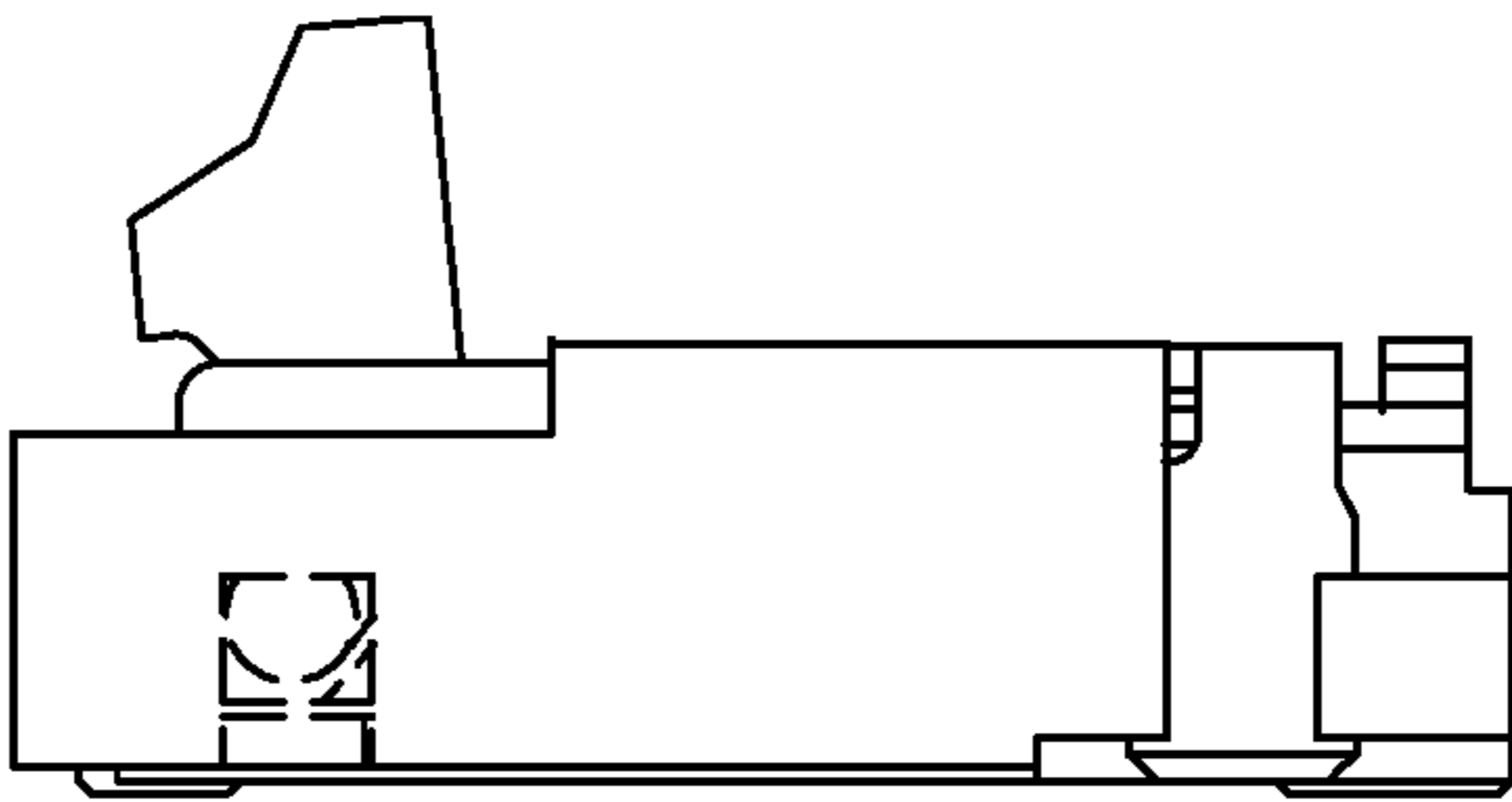


FIG. 7