



US00D630581S

(12) **United States Design Patent**  
**Xu et al.**

(10) **Patent No.:** **US D630,581 S**  
(45) **Date of Patent:** **\*\* Jan. 11, 2011**

(54) **PORTABLE GENERATOR SET**

D503,148 S \* 3/2005 Krieger et al. .... D13/107  
D506,723 S \* 6/2005 Krieger et al. .... D13/107  
D514,508 S \* 2/2006 Krieger et al. .... D13/107

(75) Inventors: **Jian Xu**, Maple Grove, MN (US);  
**Daniel A. Norrick**, New Brighton, MN  
(US); **Yulin Chen**, Linyi (CN); **Zhaoyu**  
**Xue**, Linyi (CN)

\* cited by examiner

*Primary Examiner*—Prabhakar Deshmukh  
*Assistant Examiner*—Derrick Holland

(73) Assignee: **Cummins Power Generation, Inc.**,  
Minneapolis, MN (US)

(74) *Attorney, Agent, or Firm*—Hamre, Schumann, Mueller  
& Larson, P.C.; J. Bruce Schelkopf

(\*\*) Term: **14 Years**

(57) **CLAIM**

(21) Appl. No.: **29/355,097**

The ornamental design for a portable generator set, as shown  
and described.

(22) Filed: **Feb. 2, 2010**

**DESCRIPTION**

(51) **LOC (9) Cl.** ..... **13-01**

(52) **U.S. Cl.** ..... **D13/116**

(58) **Field of Classification Search** ..... D13/116,  
D13/101, 106, 107, 112, 118, 119, 122, 184,  
D13/199; 290/1 A, 1 B; 307/64, 150, 151,  
307/153; 320/103, 104, 105, 107, 111  
See application file for complete search history.

FIG. 1 is a front perspective view of a portable generator set;  
FIG. 2 is a front side view thereof;  
FIG. 3 is a left side view thereof with respect to FIG. 2;  
FIG. 4 is a right side view thereof with respect to FIG. 2;  
FIG. 5 is a back side view thereof;  
FIG. 6 is a top view thereof; and,  
FIG. 7 is a bottom view thereof.

Surface shading in the FIGS. 1-7 is provided to show the  
character and contour of all surfaces of any three-dimensional  
aspects of the design.

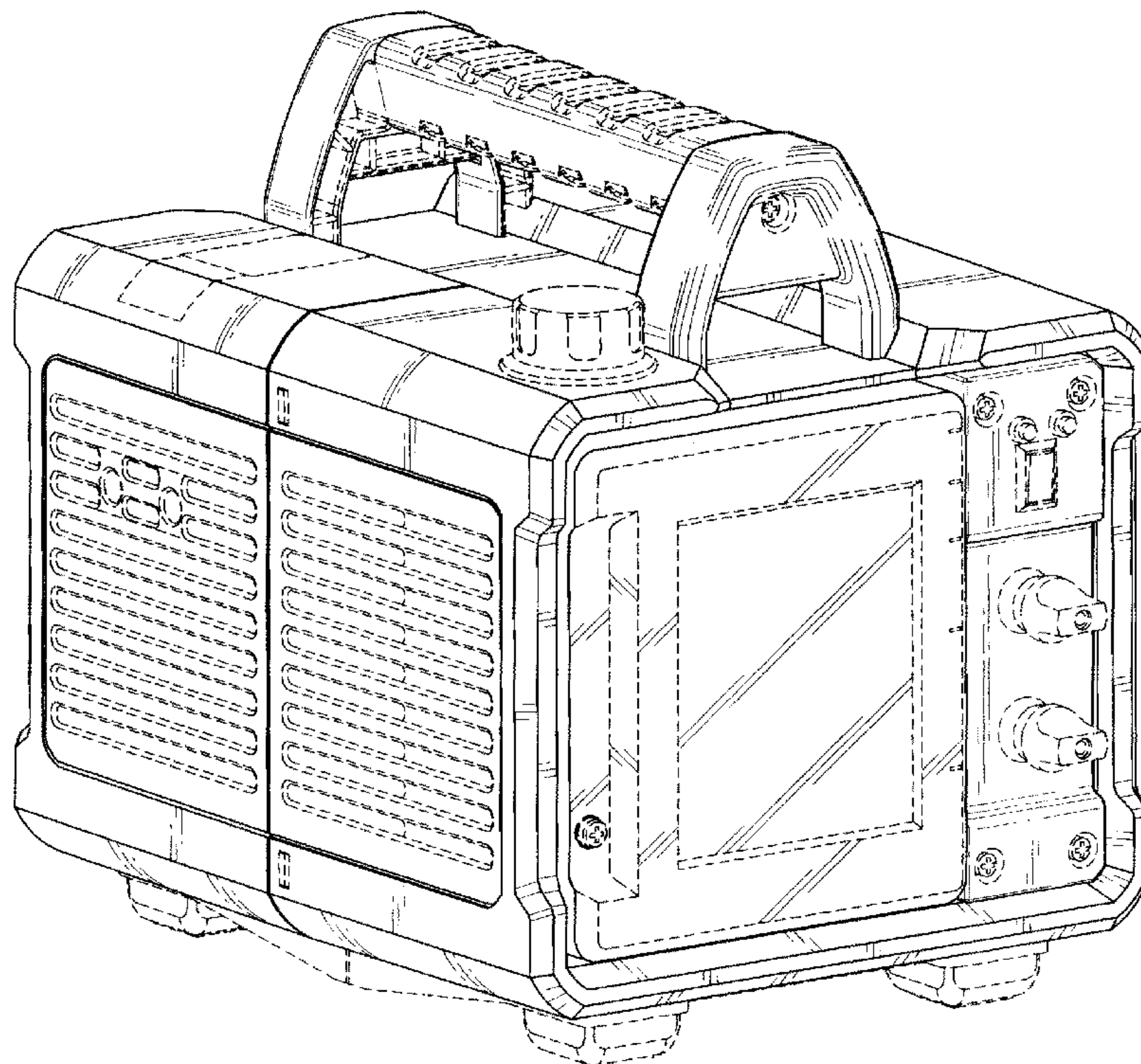
The broken lines shown are for illustrative purposes only and  
form no part of the claimed design.

(56) **References Cited**

**U.S. PATENT DOCUMENTS**

D282,252 S \* 1/1986 Yamaguchi et al. .... D13/116  
D309,597 S \* 7/1990 Higuchi et al. .... D13/116  
D414,461 S \* 9/1999 Wang ..... D13/116  
6,091,160 A \* 7/2000 Kouchi et al. .... 290/1 A  
6,100,599 A \* 8/2000 Kouchi et al. .... 290/1 A  
D437,825 S \* 2/2001 Imai ..... D13/116  
D477,569 S \* 7/2003 Iwatate et al. .... D13/116

**1 Claim, 7 Drawing Sheets**



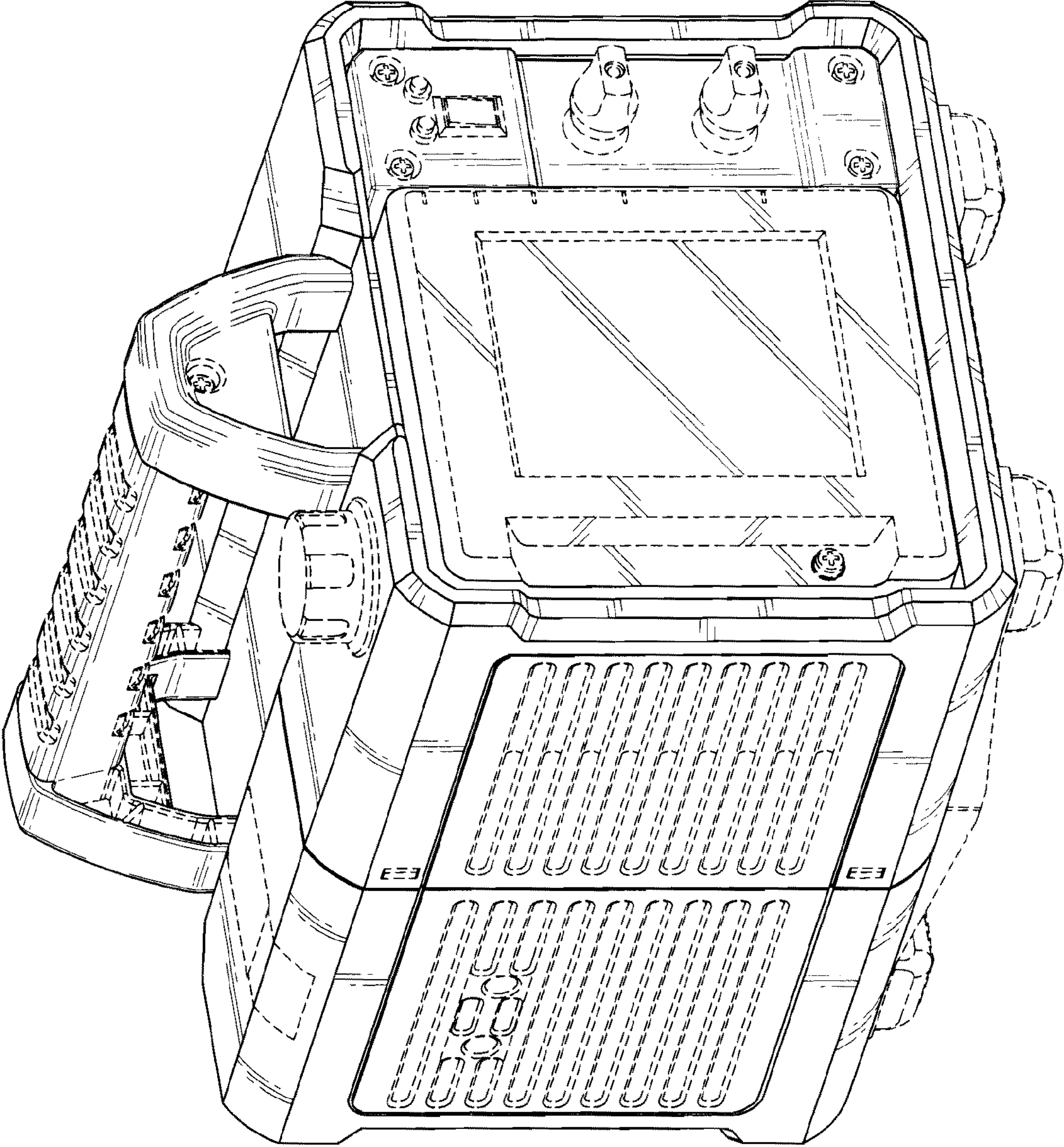


Fig. 1



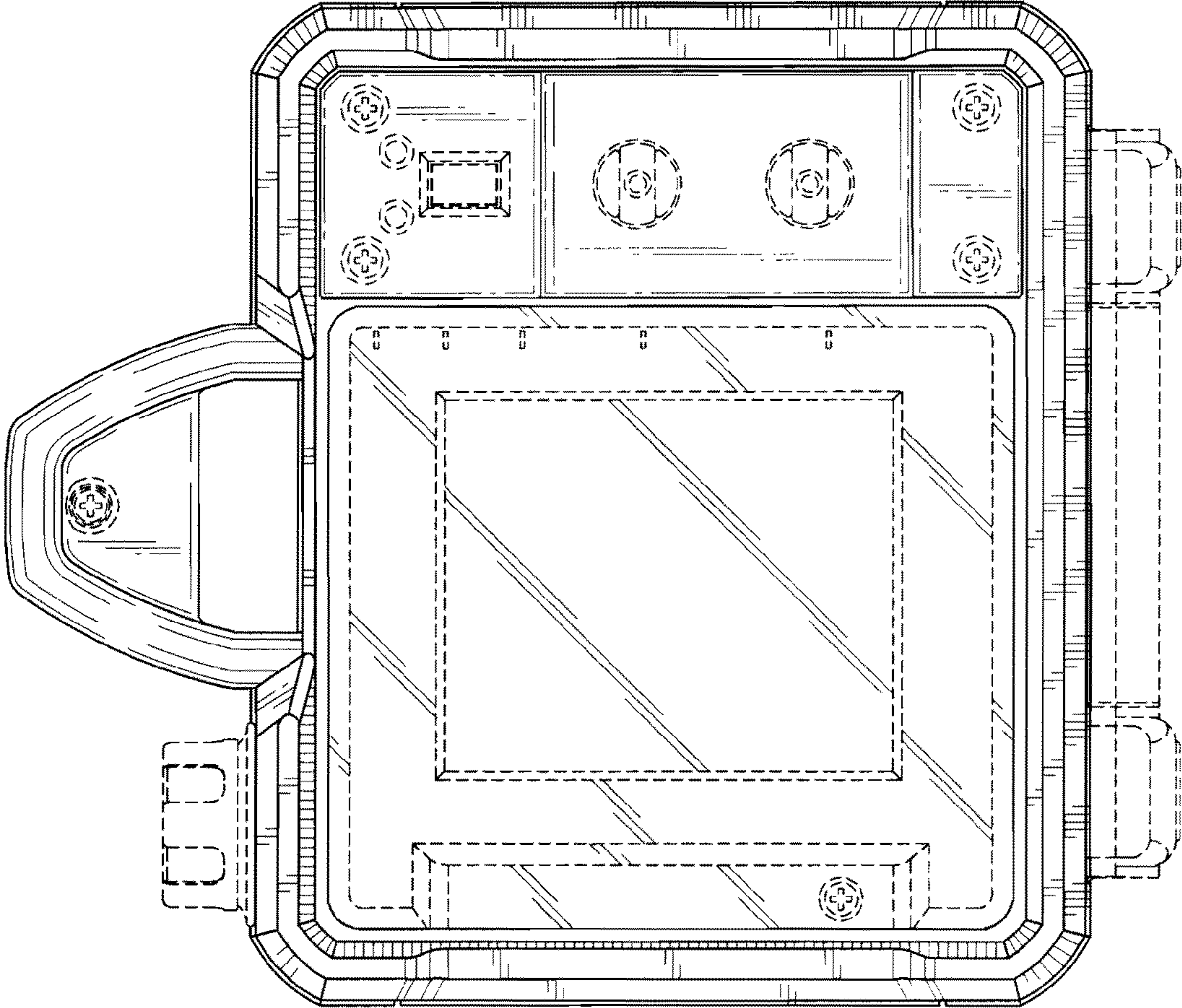


Fig. 2

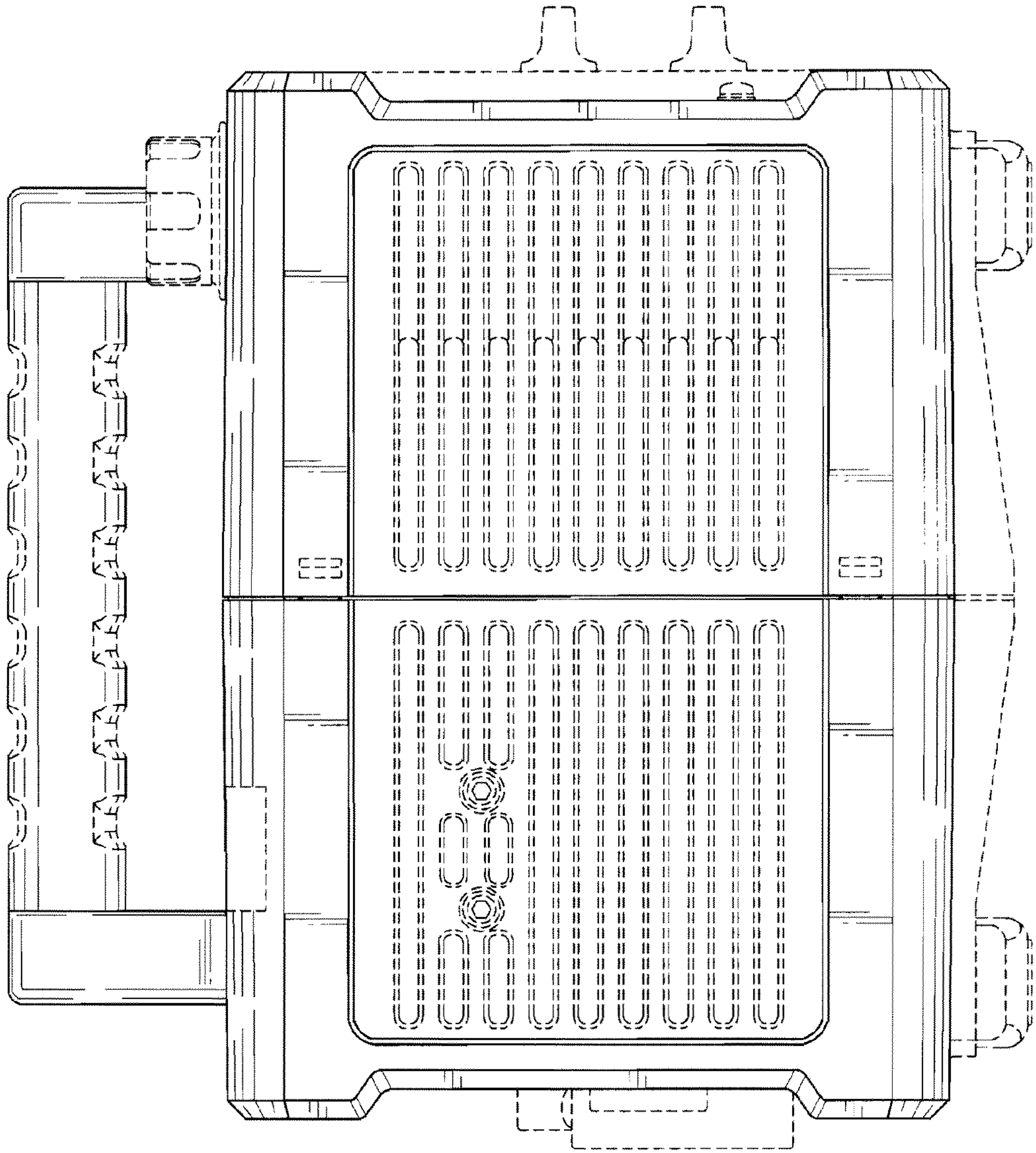


Fig. 3



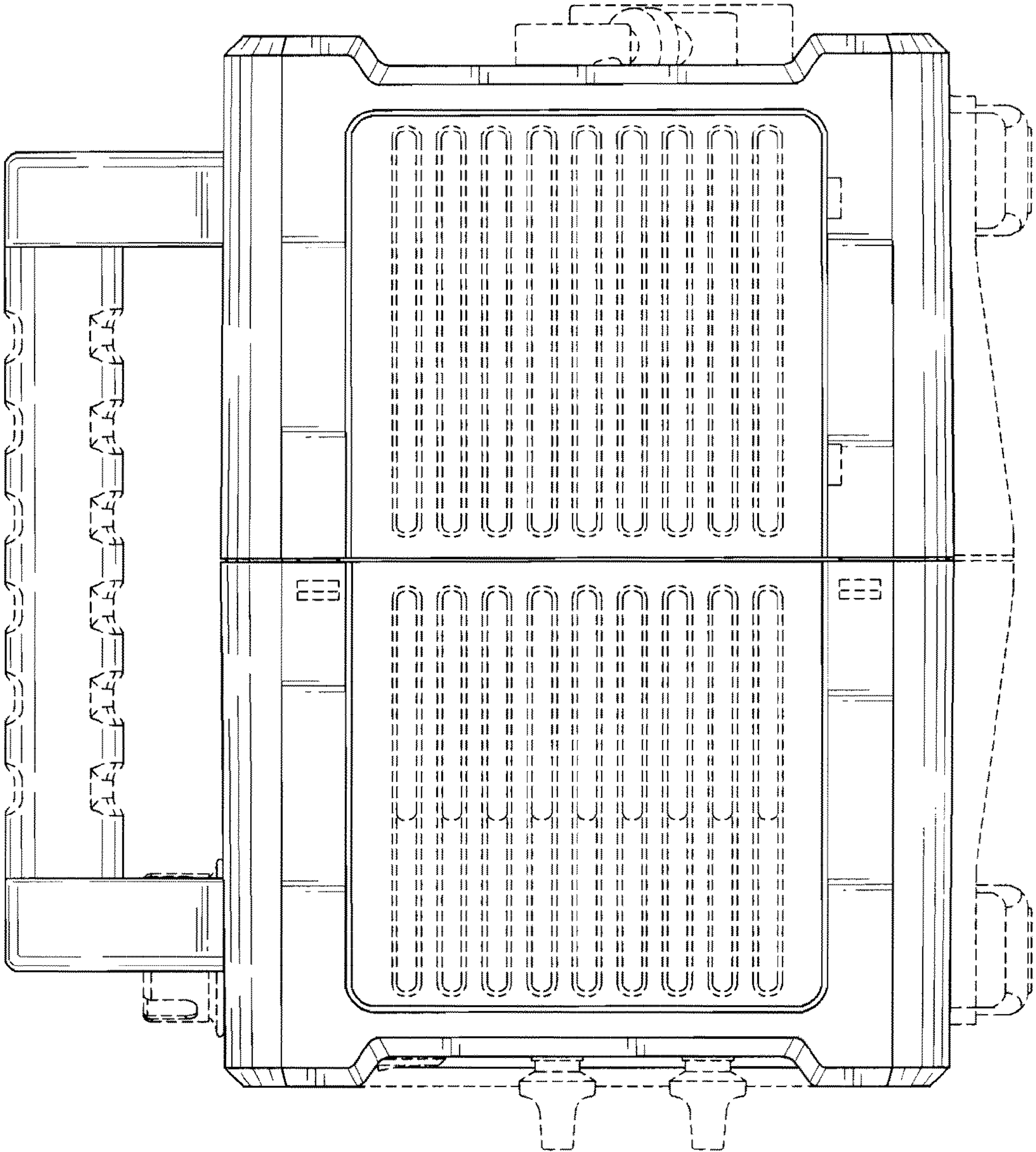


Fig. 4

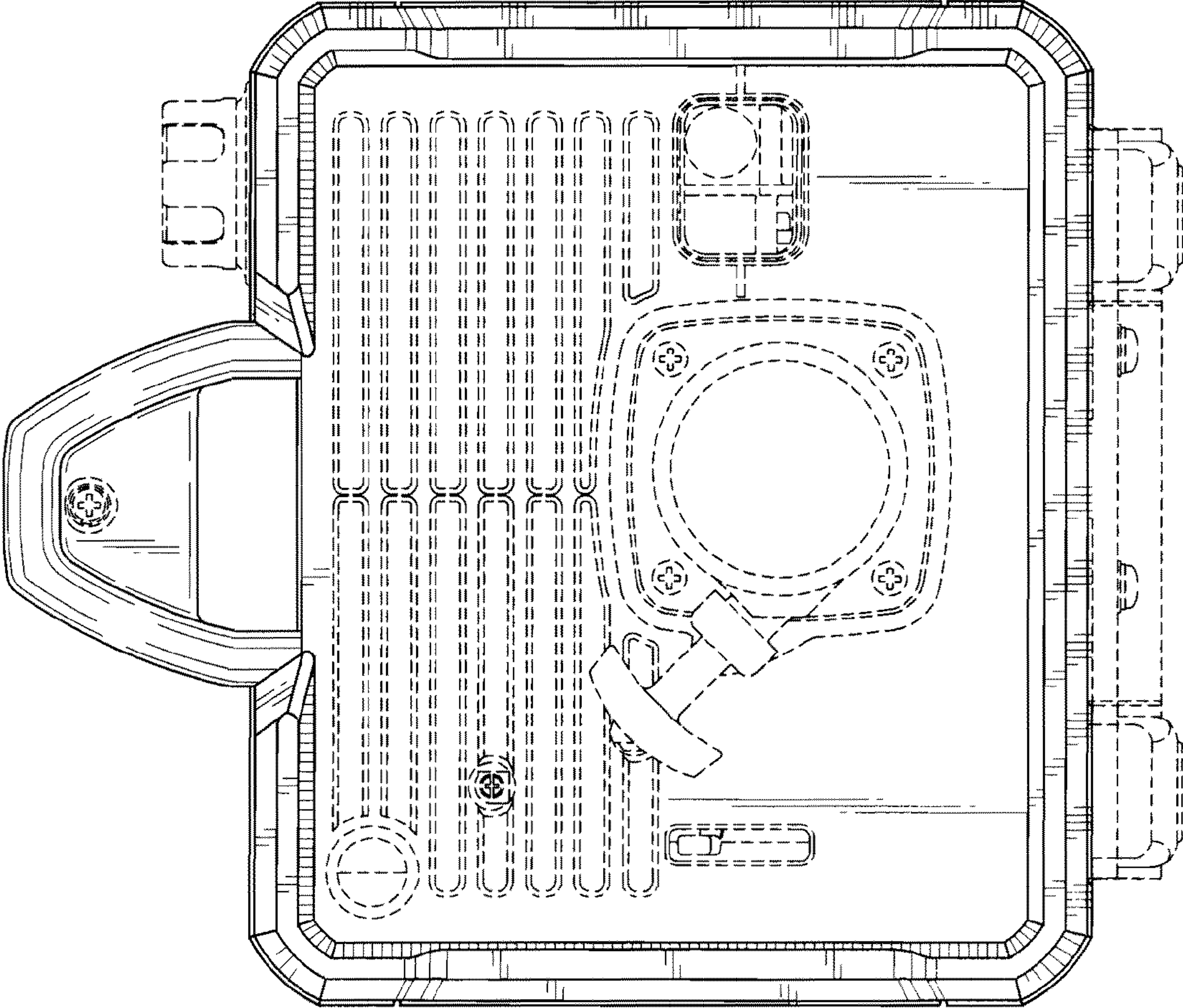
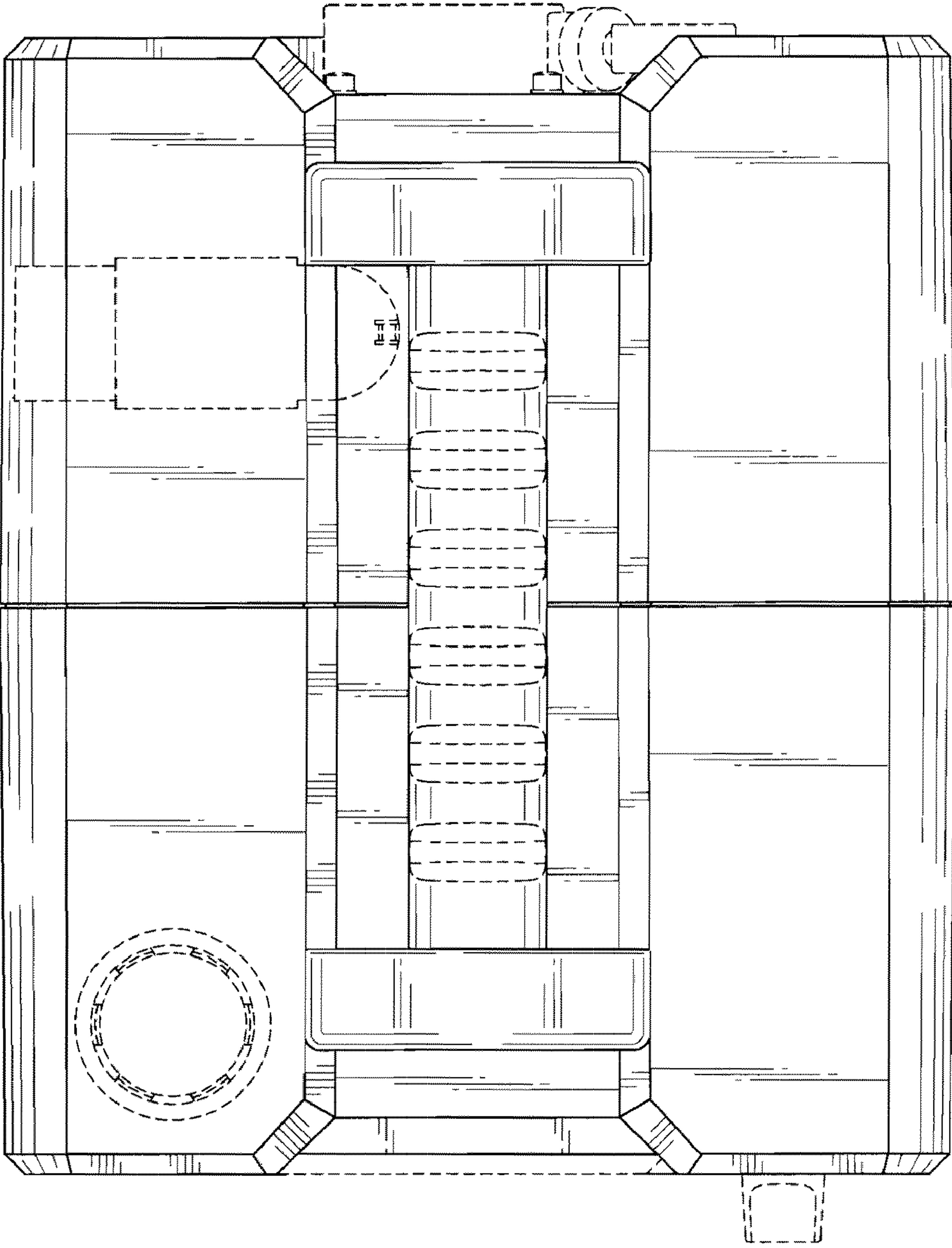


Fig. 5



*Fig. 6*



*Fig. 7*

