



US00D630580S

(12) **United States Design Patent**  
**Pape et al.**

(10) **Patent No.:** **US D630,580 S**

(45) **Date of Patent:** **\*\* Jan. 11, 2011**

(54) **POWER CONTROLLER HOUSING**

(75) Inventors: **Robert Allen Pape**, Winona, MN (US);  
**Stanton Hopkins Breitlow**, Winona,  
MN (US); **John Frederic Lemke**,  
Houston, MN (US); **Keith Douglas**  
**Ness**, Winona, MN (US); **Thomas**  
**Robert Pfingsten**, Winona, MN (US);  
**Theodore Thomas Von Arx**, La  
Crescent, MN (US)

(73) Assignee: **Watlow Electric Manufacturing**  
**Company**, St. Louis, MO (US)

(\*\*) Term: **14 Years**

(21) Appl. No.: **29/285,698**

(22) Filed: **Apr. 6, 2007**

(51) **LOC (9) Cl.** ..... **13-02**

(52) **U.S. Cl.** ..... **D13/110**

(58) **Field of Classification Search** ..... D13/110,  
D13/101, 118, 133, 147, 158, 160, 162, 162.1,  
D13/164, 184; D14/356, 357, 367, 388;  
307/31, 149; 323/207, 211, 295; 361/627,  
361/679.01, 679.02, 732, 752; 439/189;  
700/286

See application file for complete search history.

(56) **References Cited**

**U.S. PATENT DOCUMENTS**

D281,969 S \* 12/1985 Moeller ..... D13/184

D287,848 S \* 1/1987 Keely et al. .... D13/110  
D333,813 S \* 3/1993 Ishida ..... D13/162  
D340,699 S \* 10/1993 Chen ..... D13/164  
D358,365 S \* 5/1995 Rodeffer et al. .... D13/110  
D429,213 S \* 8/2000 Colver et al. .... D13/110  
D457,858 S \* 5/2002 Lee ..... D13/110  
D494,538 S \* 8/2004 Erskine ..... D13/110

\* cited by examiner

*Primary Examiner*—Prabhakar Deshmukh

*Assistant Examiner*—Derrick Holland

(74) *Attorney, Agent, or Firm*—Brinks Hofer Gilson & Lione

(57) **CLAIM**

The ornamental design for a power controller housing, as shown and described.

**DESCRIPTION**

FIG. 1 is a perspective view of a power controller housing showing our new design;

FIG. 2 is a back elevation view thereof;

FIG. 3 is a front elevation view thereof;

FIG. 4 is a bottom plan view thereof;

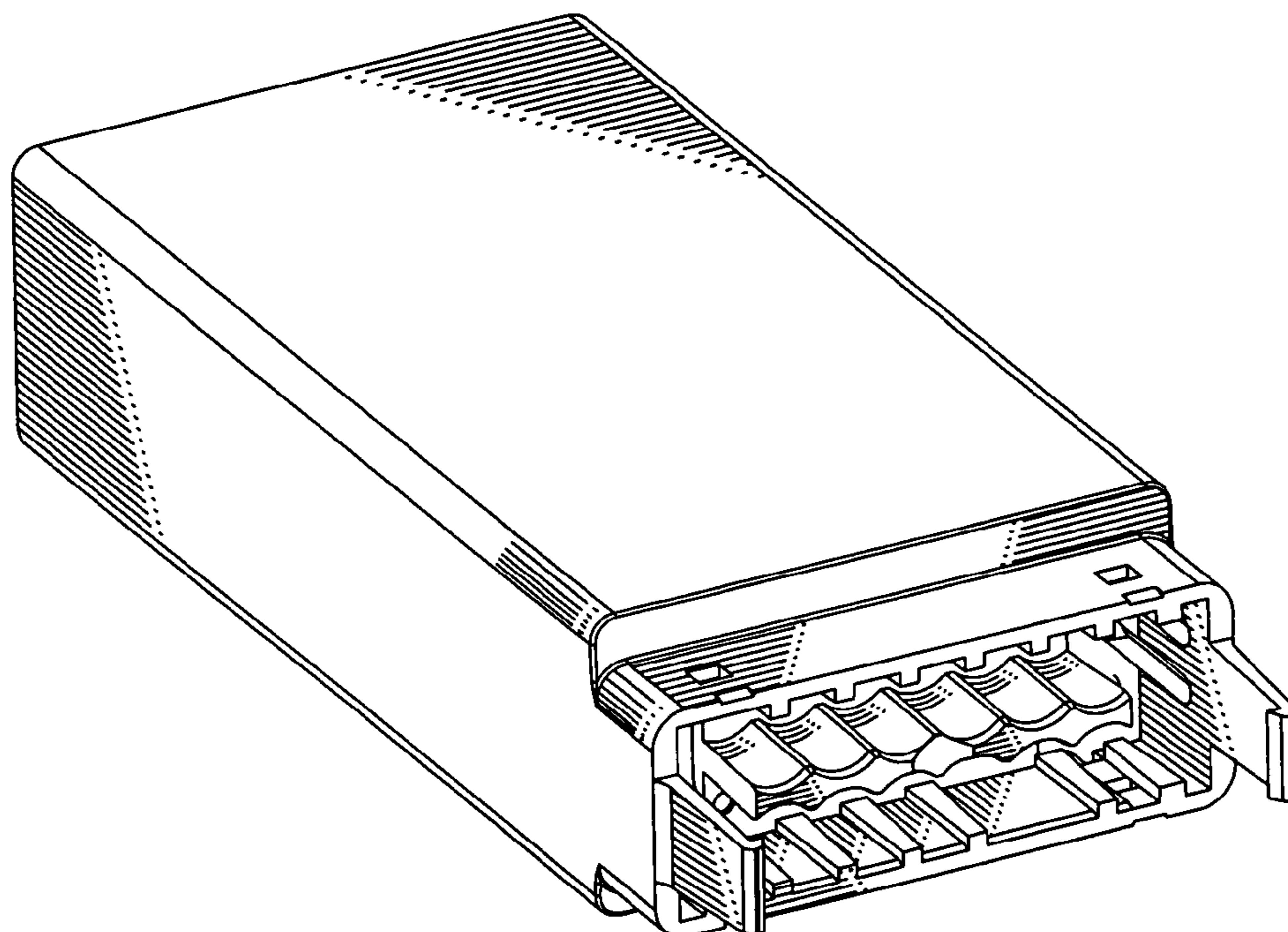
FIG. 5 is a top plan view thereof;

FIG. 6 is a left side view thereof; and,

FIG. 7 is a right side view thereof.

The broken lines are included for the purpose of illustrating environmental structure and form no part of the claimed design.

**1 Claim, 7 Drawing Sheets**



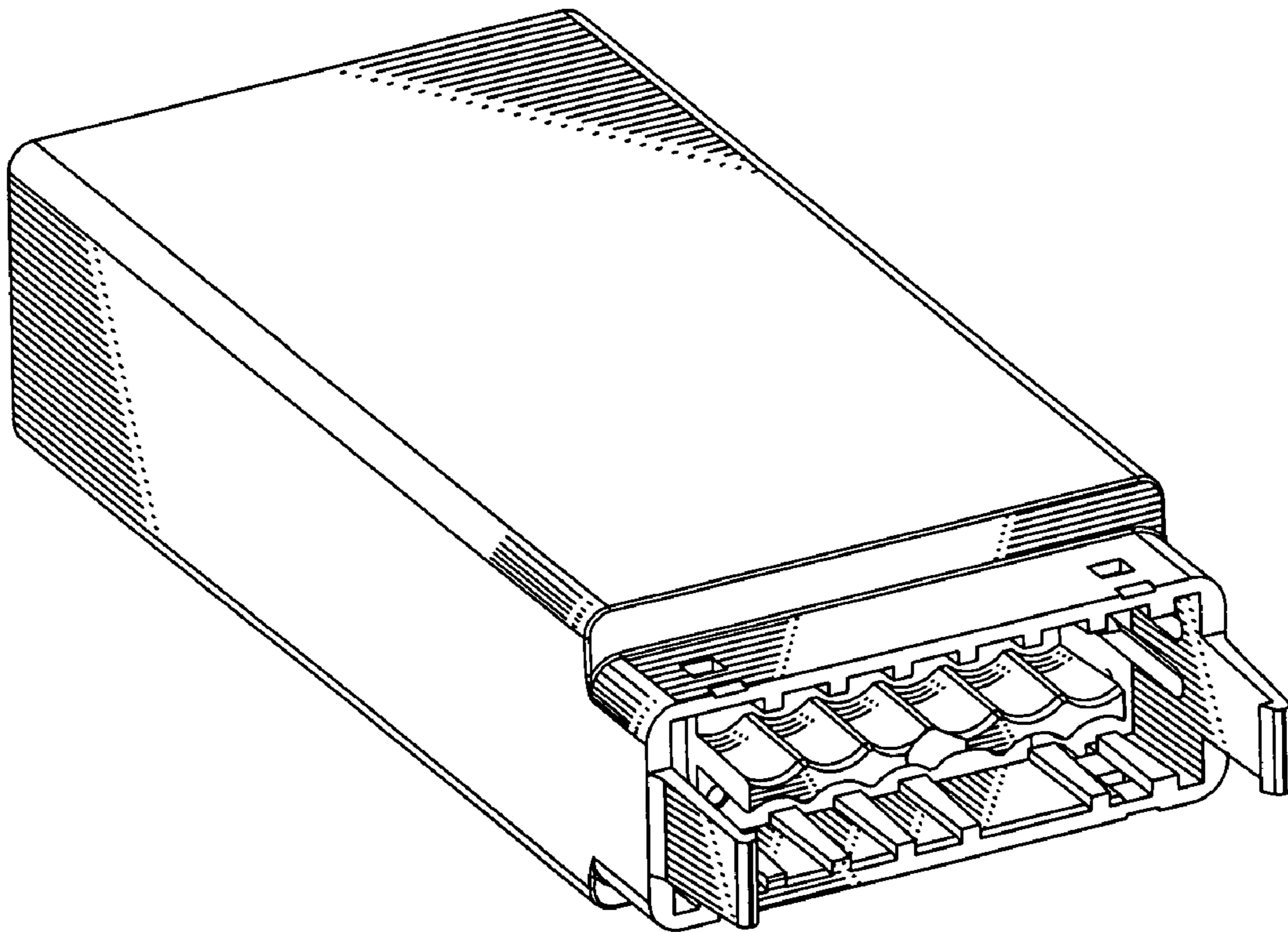


FIG. 1

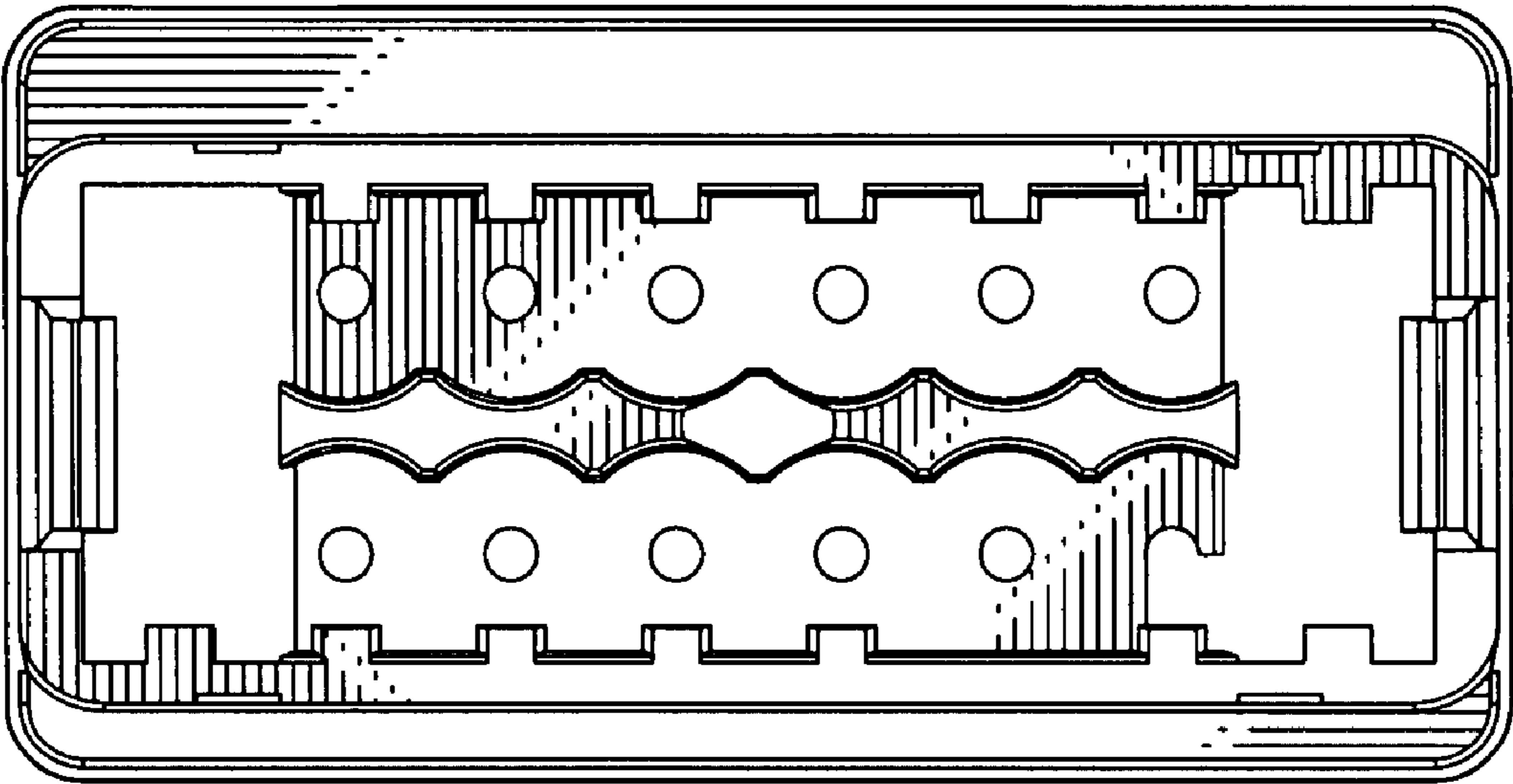


FIG. 2

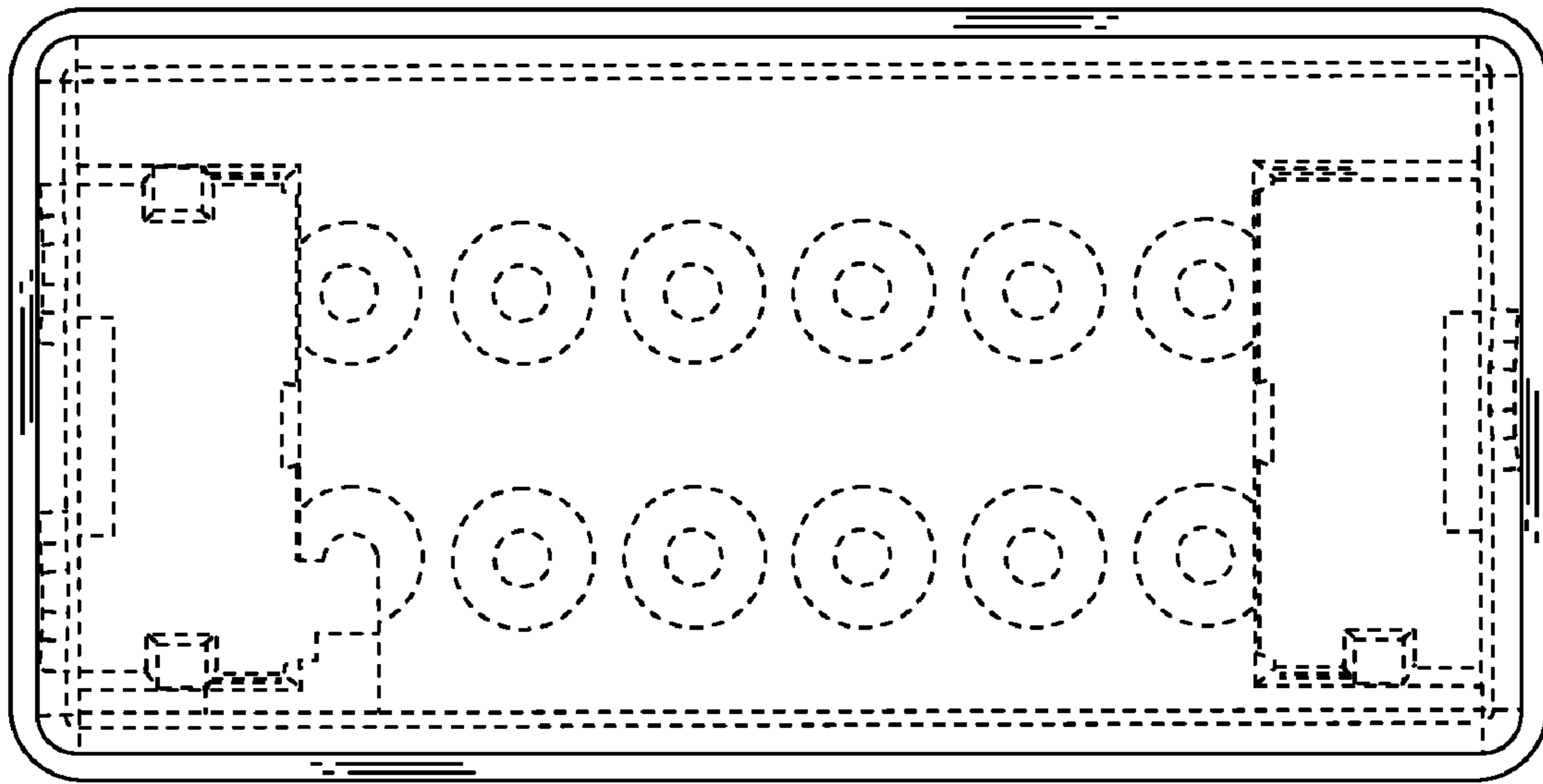


FIG. 3

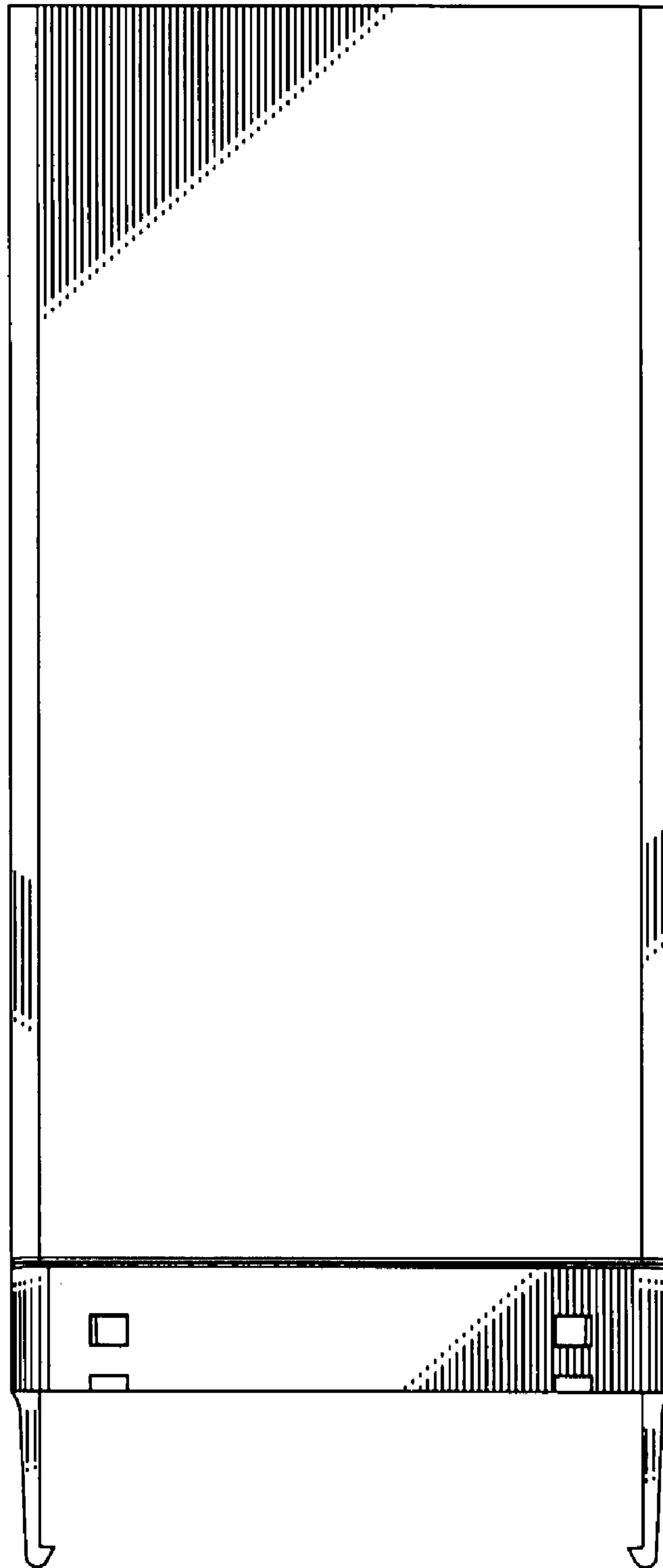


FIG. 4

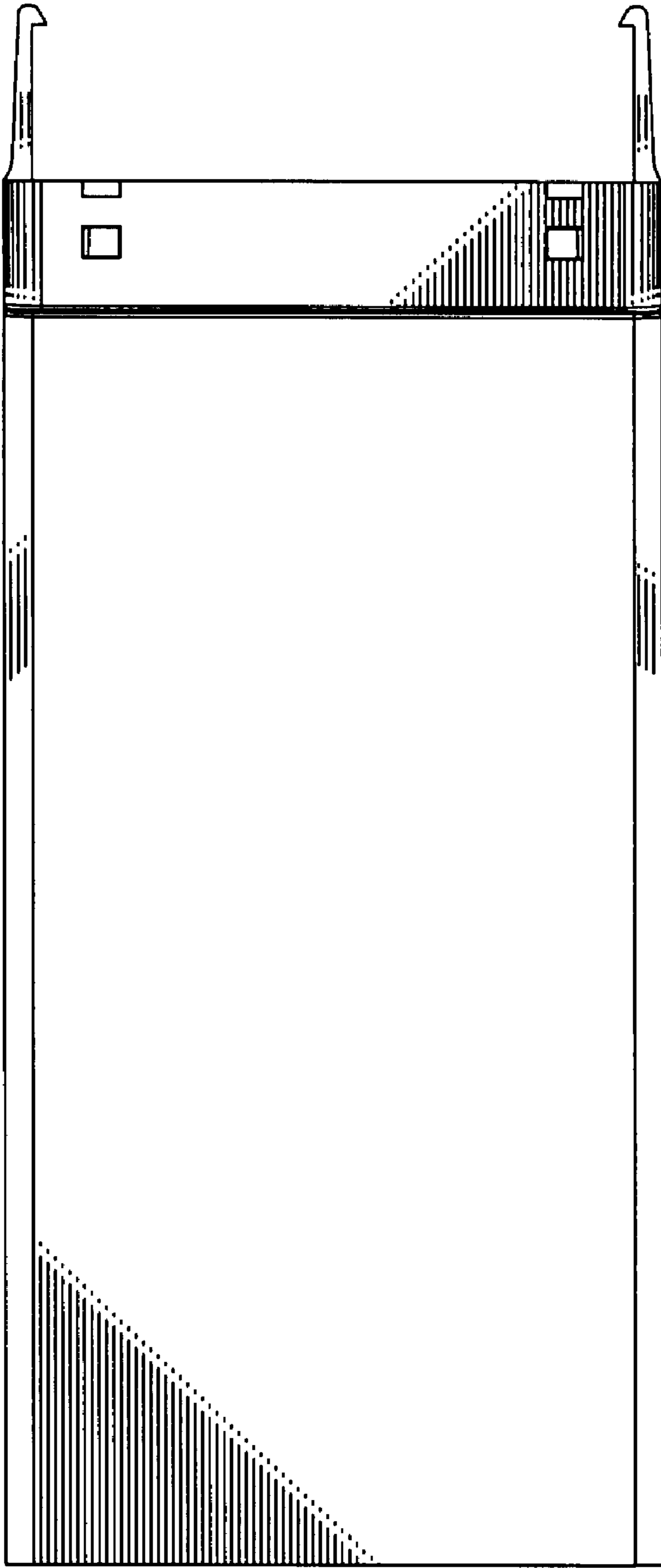


FIG. 5

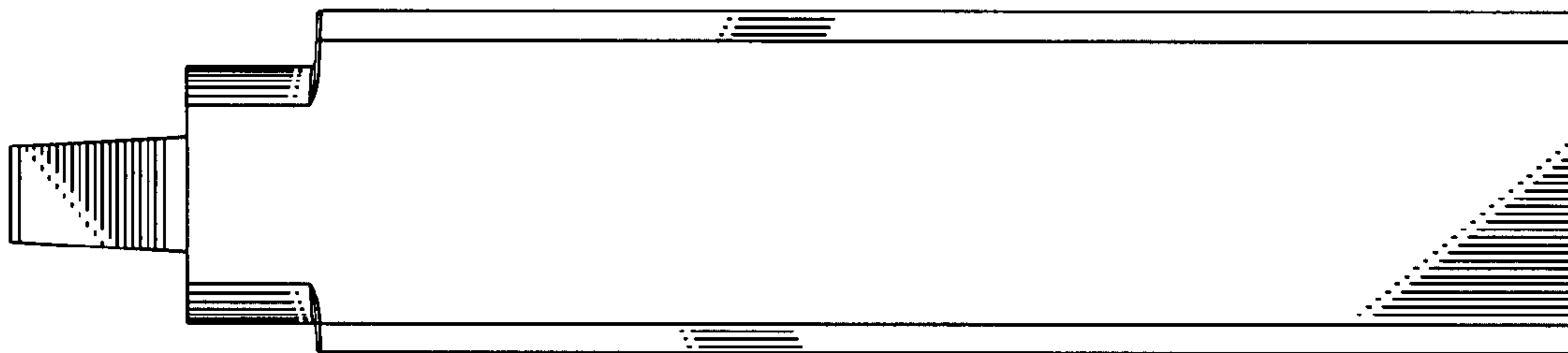


FIG. 6

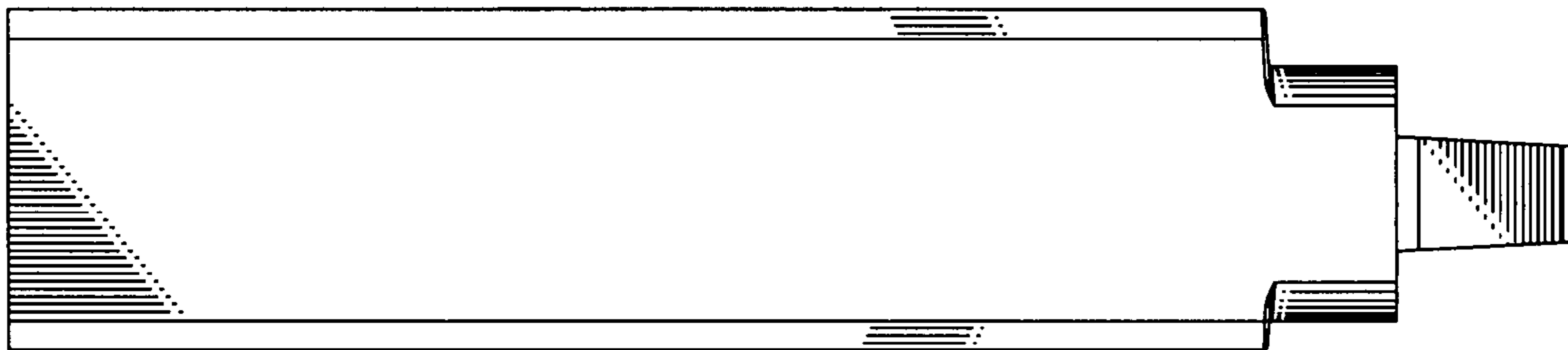


FIG. 7