



US00D630578S

(12) **United States Design Patent**  
**Ekmekdje**

(10) **Patent No.:** **US D630,578 S**

(45) **Date of Patent:** **\*\* Jan. 11, 2011**

(54) **SOLAR CHARGER FOR A CONSUMER ELECTRONIC DEVICE**

D530,269 S \* 10/2006 Fowler et al. .... D13/102  
D567,170 S \* 4/2008 Chung et al. .... D13/102  
D601,955 S 10/2009 Ekmekdje

(75) Inventor: **Armen Ekmekdje**, Hong Kong (HK)

\* cited by examiner

(73) Assignee: **Ekko (HK) Ltd**, Kwun Tong (HK)

*Primary Examiner*—Prabhakar Deshmukh

*Assistant Examiner*—Derrick Holland

(\*\*) Term: **14 Years**

(74) *Attorney, Agent, or Firm*—Oppedahl Patent Law Firm LLC

(21) Appl. No.: **29/357,648**

(22) Filed: **Mar. 16, 2010**

(57) **CLAIM**

(51) **LOC (9) Cl.** ..... **13-02**

The ornamental design for a solar charger for a consumer electronic device, as shown and described.

(52) **U.S. Cl.** ..... **D13/102**

(58) **Field of Classification Search** ..... D13/102,  
D13/101, 103, 107, 108, 110, 119; D14/140,  
D14/203.4, 483; 136/206, 243, 244, 245,  
136/252; 320/101, 102, 114, 115, 120  
See application file for complete search history.

**DESCRIPTION**

(56) **References Cited**

FIG. 1 is a top plan view of a solar charger for a consumer electronic device showing my new design in a closed position;

FIG. 2 is a right side view thereof;

FIG. 3 is a bottom plan view thereof;

FIG. 4 is a front elevation view thereof;

FIG. 5 is a top, right and front perspective view thereof;

FIG. 6 is a bottom, right and front perspective view thereof; and,

FIG. 7 is a left side perspective view thereof, shown in an open position.

U.S. PATENT DOCUMENTS

5,522,943 A \* 6/1996 Spencer et al. .... 136/245  
D382,535 S \* 8/1997 Chiang ..... D13/103  
D395,279 S \* 6/1998 Peress et al. .... D13/107  
D454,837 S \* 3/2002 Ibuki et al. .... D13/107  
6,476,311 B1 \* 11/2002 Lee et al. .... 136/244  
D467,225 S \* 12/2002 Sudo ..... D13/102  
D489,680 S \* 5/2004 Stobart ..... D13/107  
D490,051 S \* 5/2004 Kikumoto ..... D13/102  
6,784,359 B2 \* 8/2004 Clark et al. .... 136/245

**1 Claim, 7 Drawing Sheets**

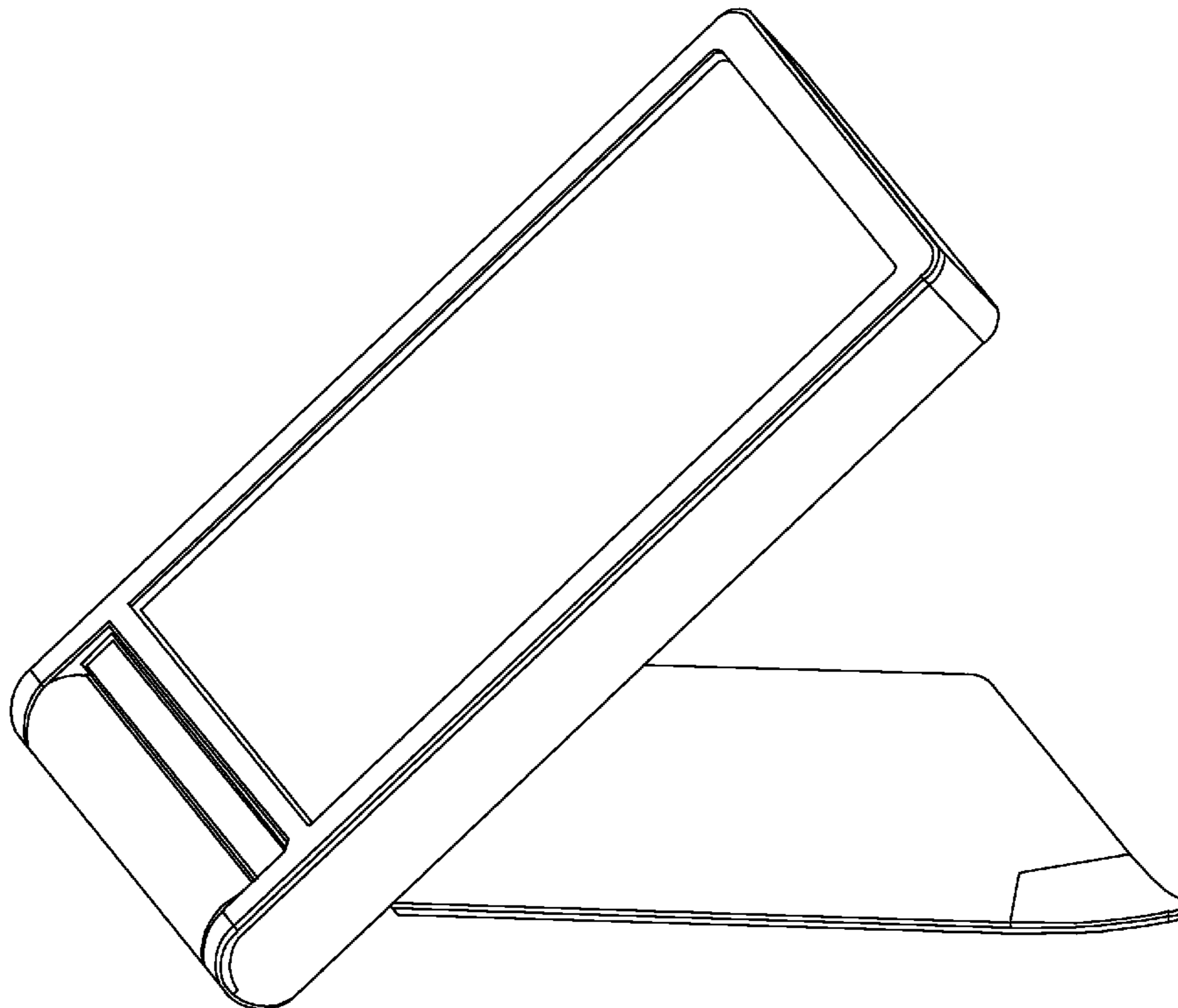


FIG. 1

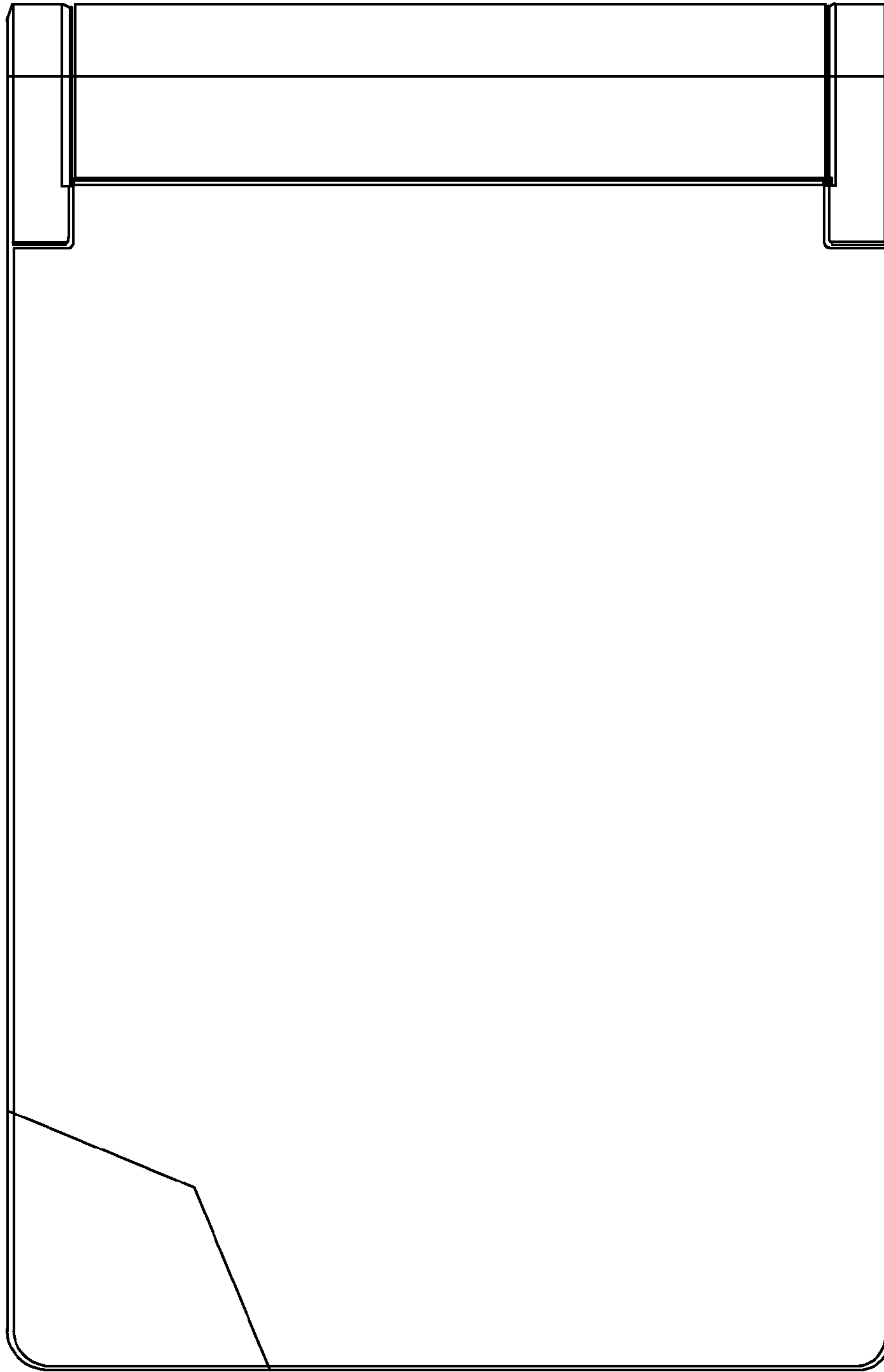


FIG. 2

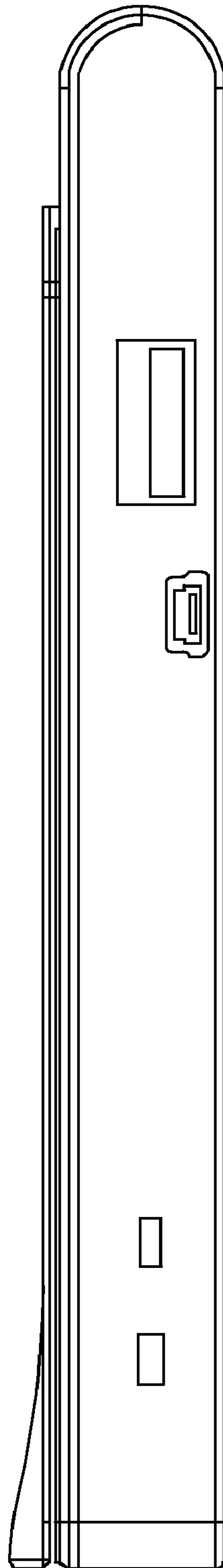


FIG. 3

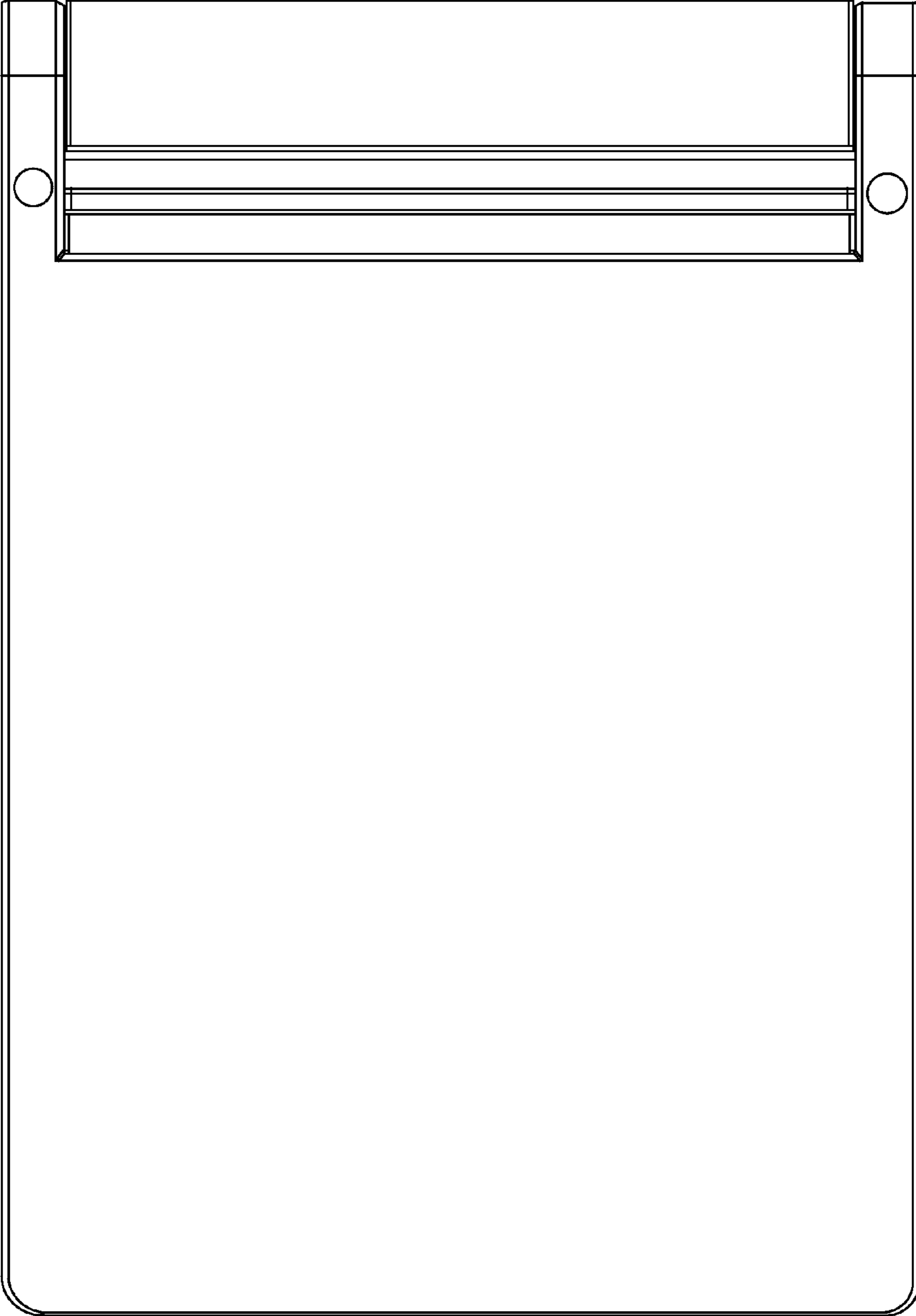


FIG. 4

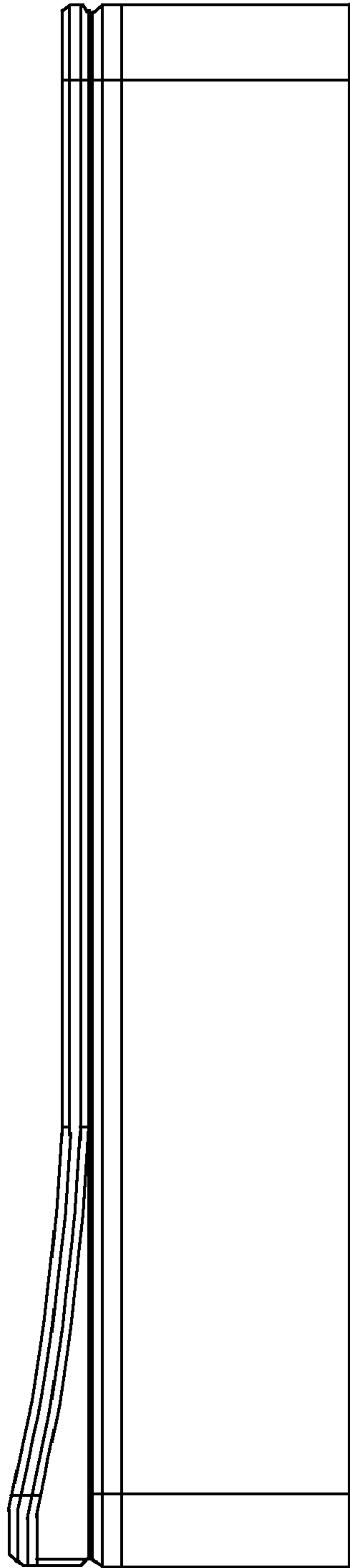


FIG. 5

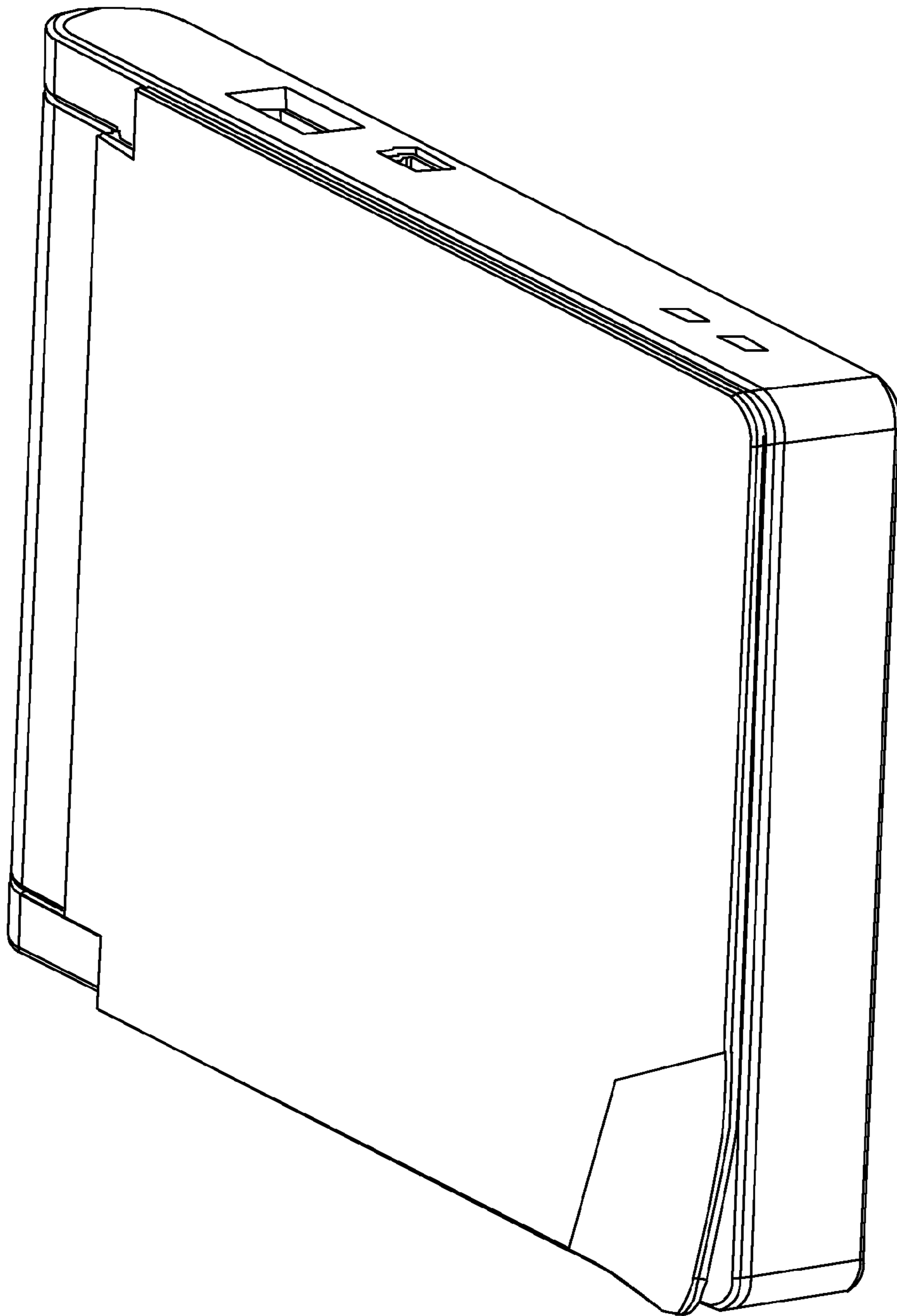


FIG. 6

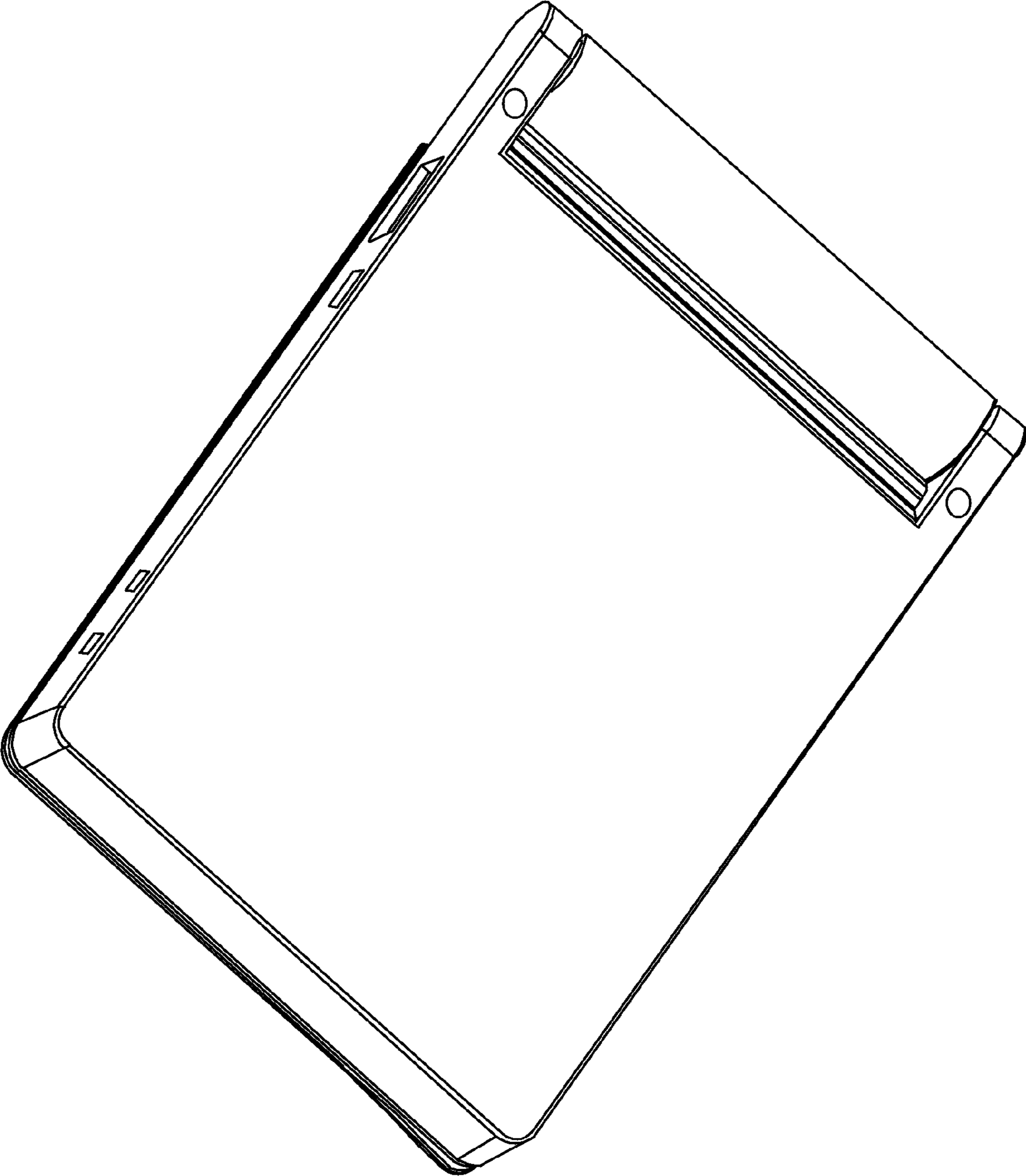


FIG. 7

