



US00D630576S

(12) **United States Design Patent**
Plaisted et al.

(10) **Patent No.:** **US D630,576 S**
(45) **Date of Patent:** **** Jan. 11, 2011**

(54) **SOLAR MODULE APPARATUS**

(75) Inventors: **Joshua Reed Plaisted**, Oakland, CA (US); **David C. Kao**, Palo Alto, CA (US)

(73) Assignee: **PVT Solar, Inc.**, Berkeley, CA (US)

(**) Term: **14 Years**

(21) Appl. No.: **29/344,587**

(22) Filed: **Sep. 30, 2009**

(51) **LOC (9) Cl.** **13-02**

(52) **U.S. Cl.** **D13/102**

(58) **Field of Classification Search** D13/102,
D13/101, 184, 199; D25/119, 122, 124,
D25/156; 52/173.3; 136/241-252; 320/101;
438/66, 72, 80

See application file for complete search history.

(56) **References Cited**

U.S. PATENT DOCUMENTS

D236,473	S	*	8/1975	Estes	D13/102
D353,129	S	*	12/1994	Ricaud et al.	D13/102
D389,454	S	*	1/1998	Mori	D13/102
6,105,316	A	*	8/2000	Bottger et al.	52/173.3
D448,722	S	*	10/2001	Drummond	D13/102
6,307,145	B1	*	10/2001	Kataoka et al.	136/251
6,818,820	B2	*	11/2004	Matsushita et al.	136/251

* cited by examiner

Primary Examiner—Prabhakar Deshmukh

Assistant Examiner—Derrick Holland

(74) *Attorney, Agent, or Firm*—Townsend and Townsend and Crew LLP

(57) **CLAIM**

The ornamental design for solar module apparatus, as shown and described.

DESCRIPTION

FIG. 1 is a perspective view of a solar module apparatus showing an embodiment of our new design;

FIG. 2 is a side view thereof;

FIG. 3 is another side view thereof, with a cut away portion of the support structure;

FIG. 4 is a front view thereof;

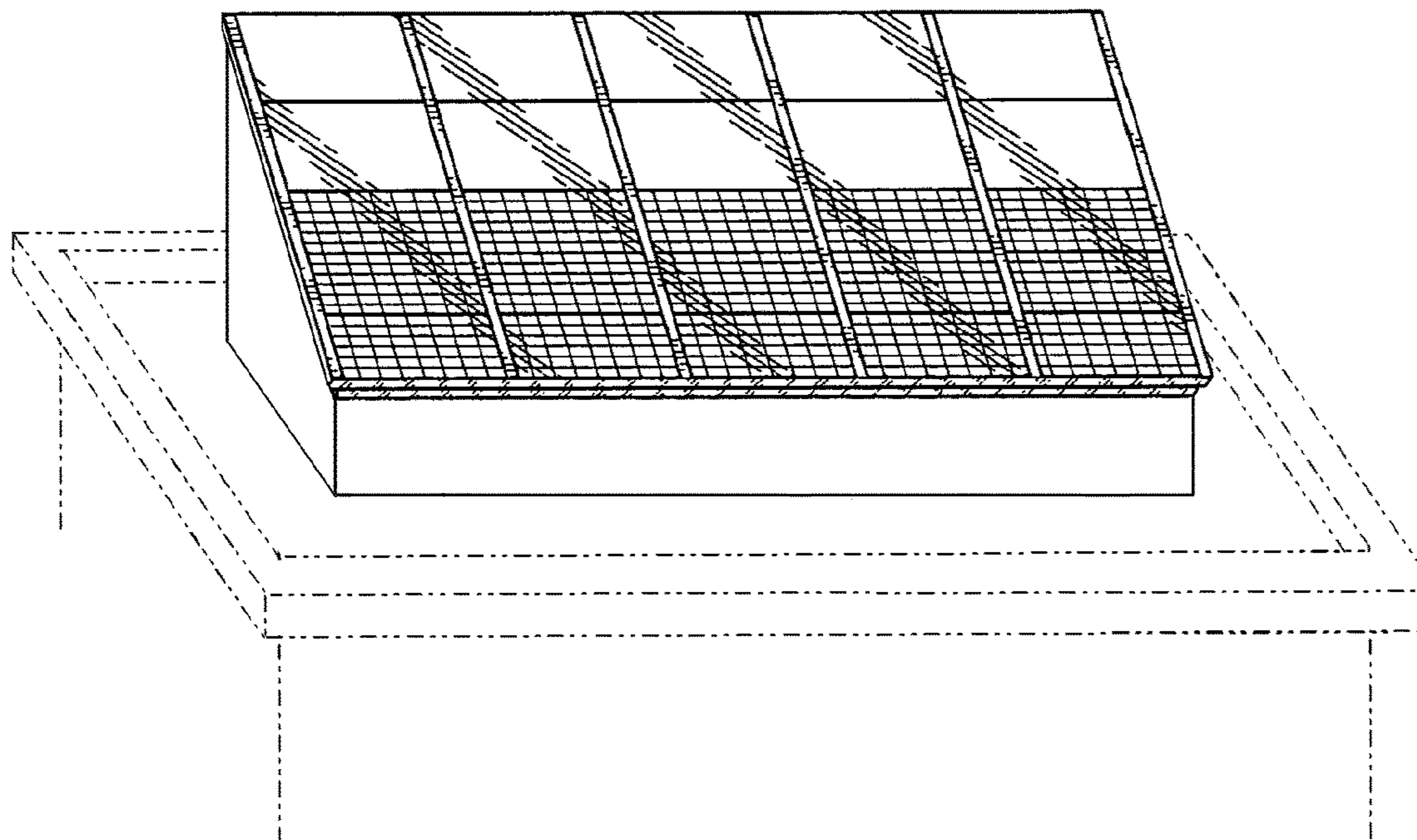
FIG. 5 is a perspective view thereof, with a cut away portion of the support structure;

FIG. 6 is an enlarged perspective view of the left bottom corner of FIG. 5; and,

FIG. 7 is an enlarged front view thereof, with a cut away portion of the support structure.

The broken lines shown of a building and roof structure as well as the cut away broken lines represent unclaimed subject matter and form no part of the claimed design.

1 Claim, 7 Drawing Sheets



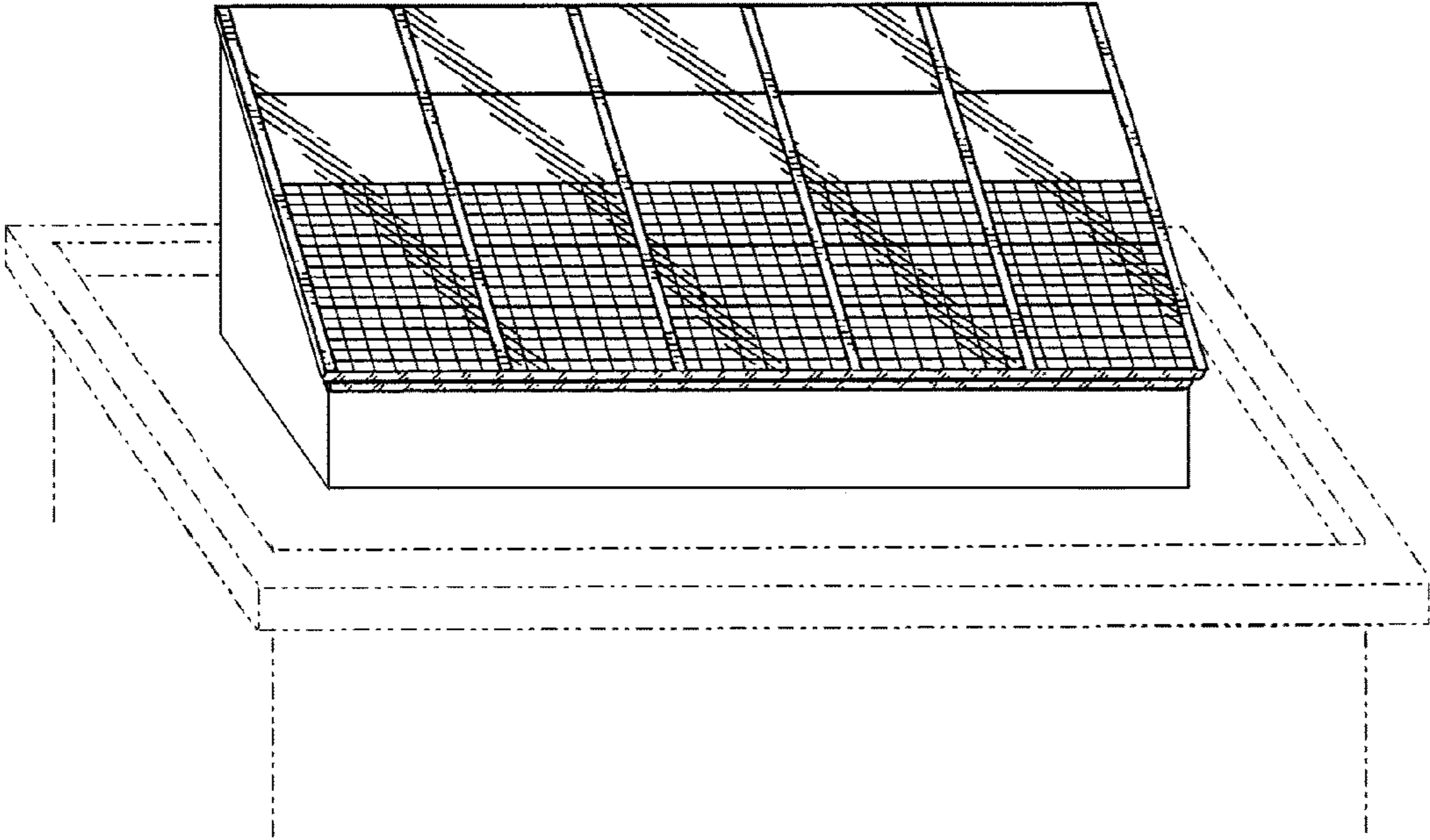


FIG. 1

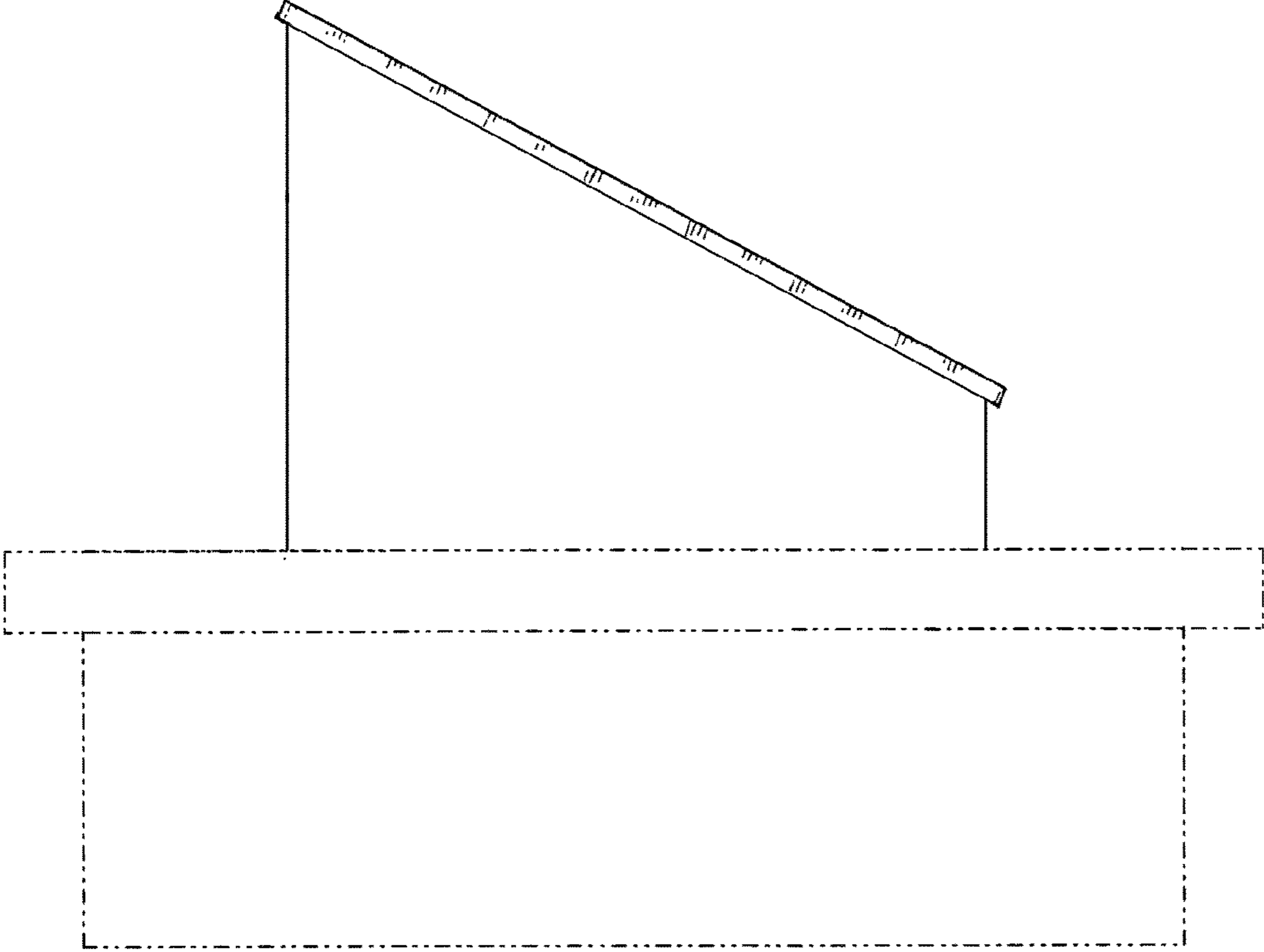


FIG. 2

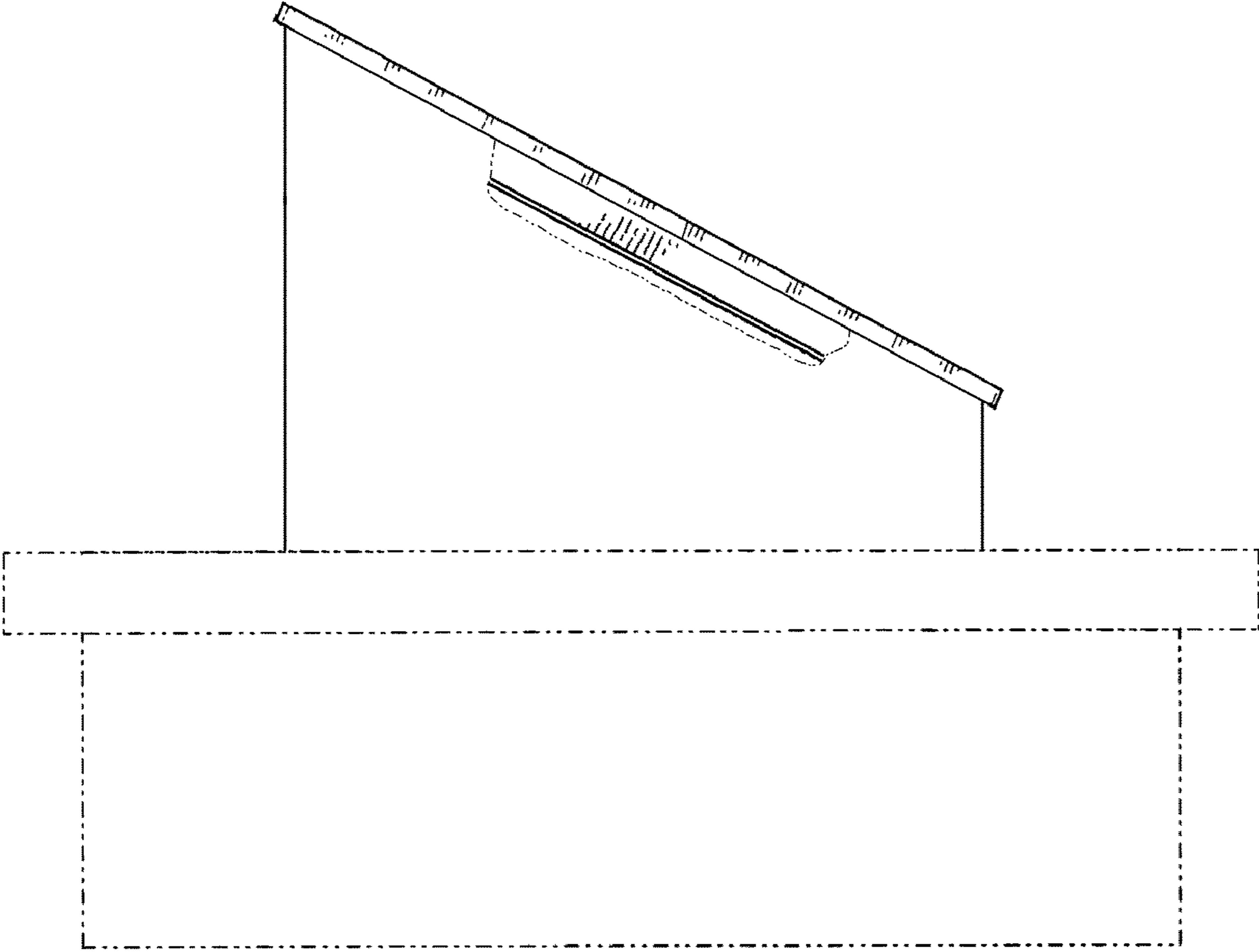


FIG. 3

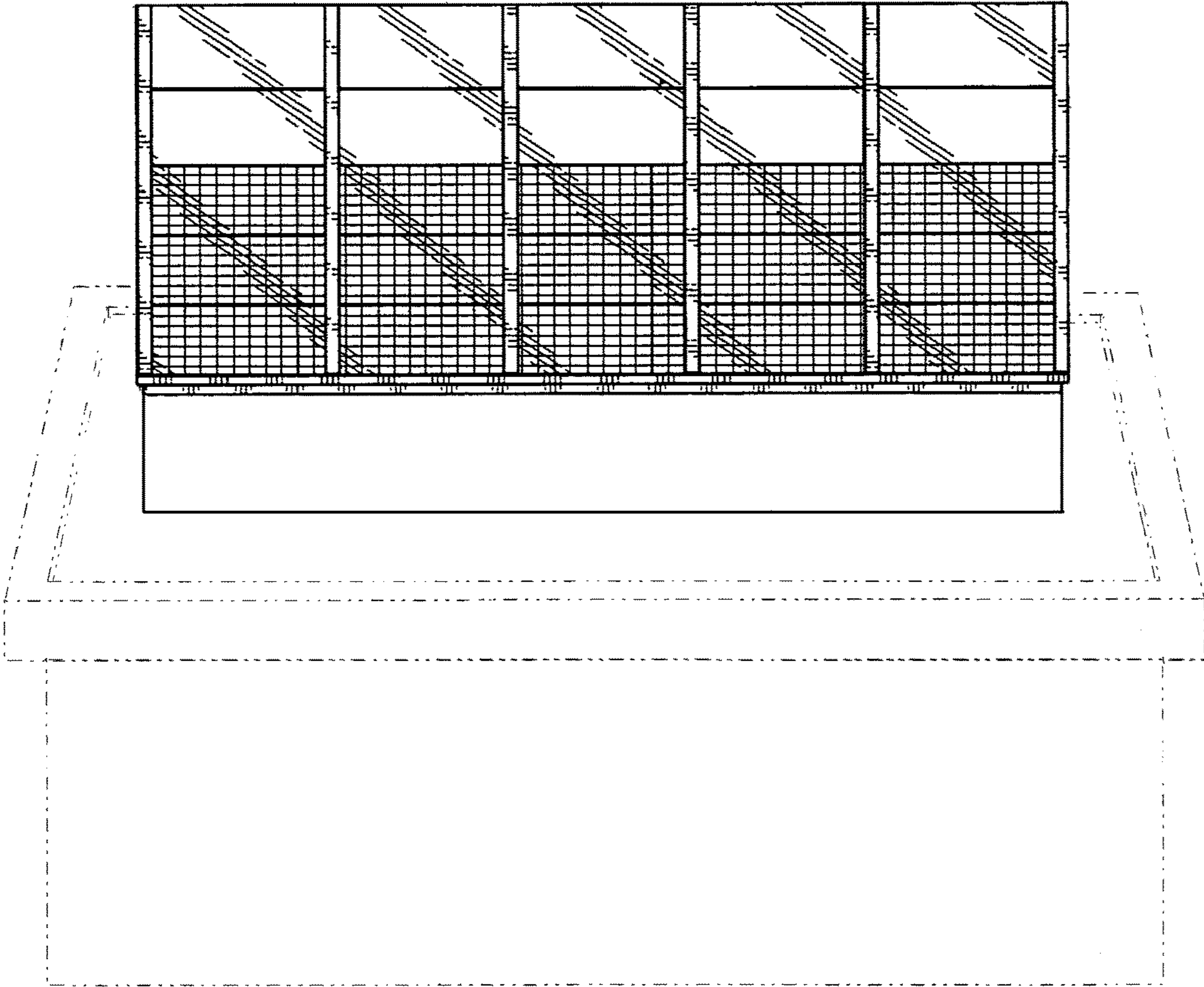


FIG. 4

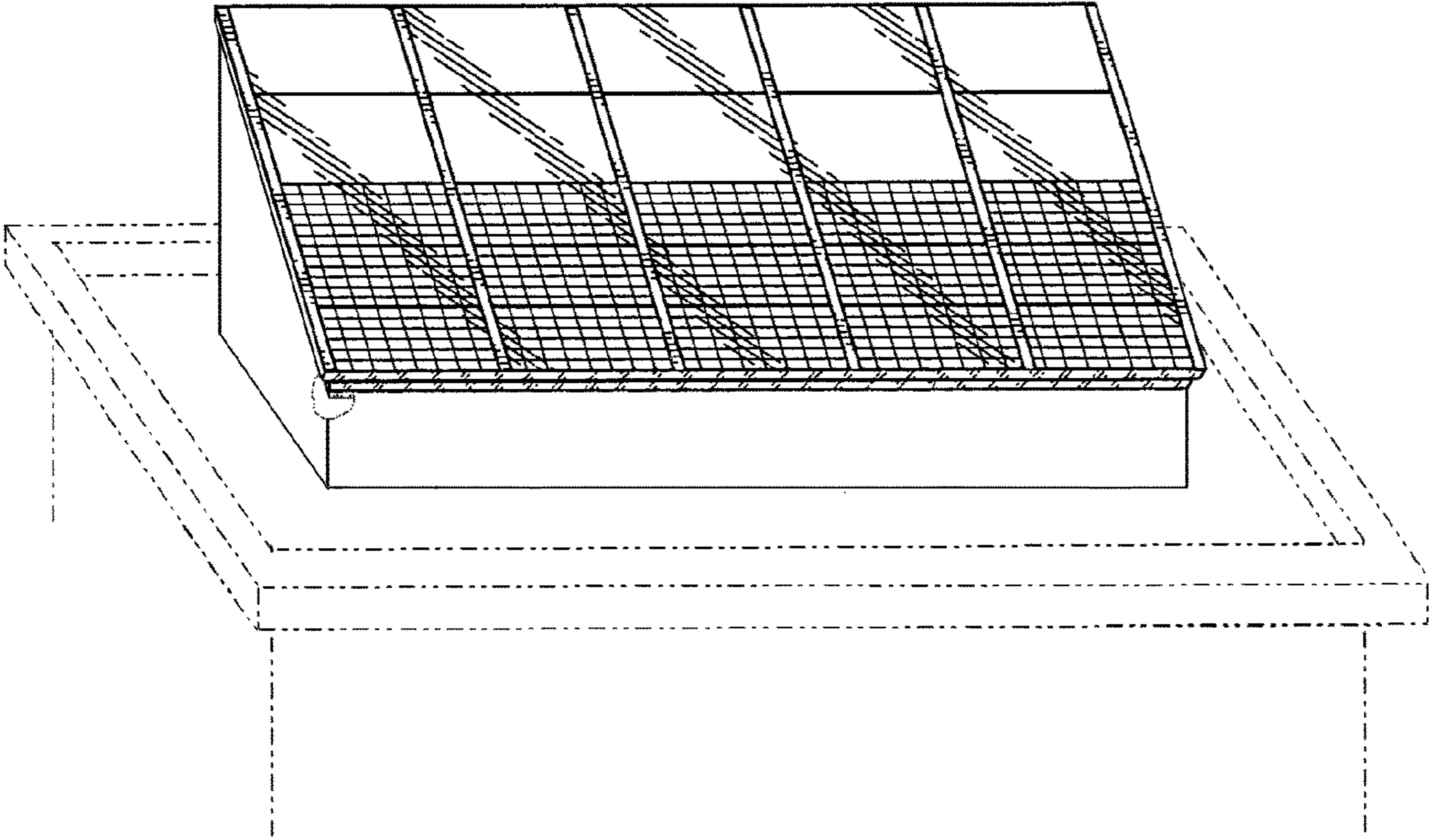


FIG. 5

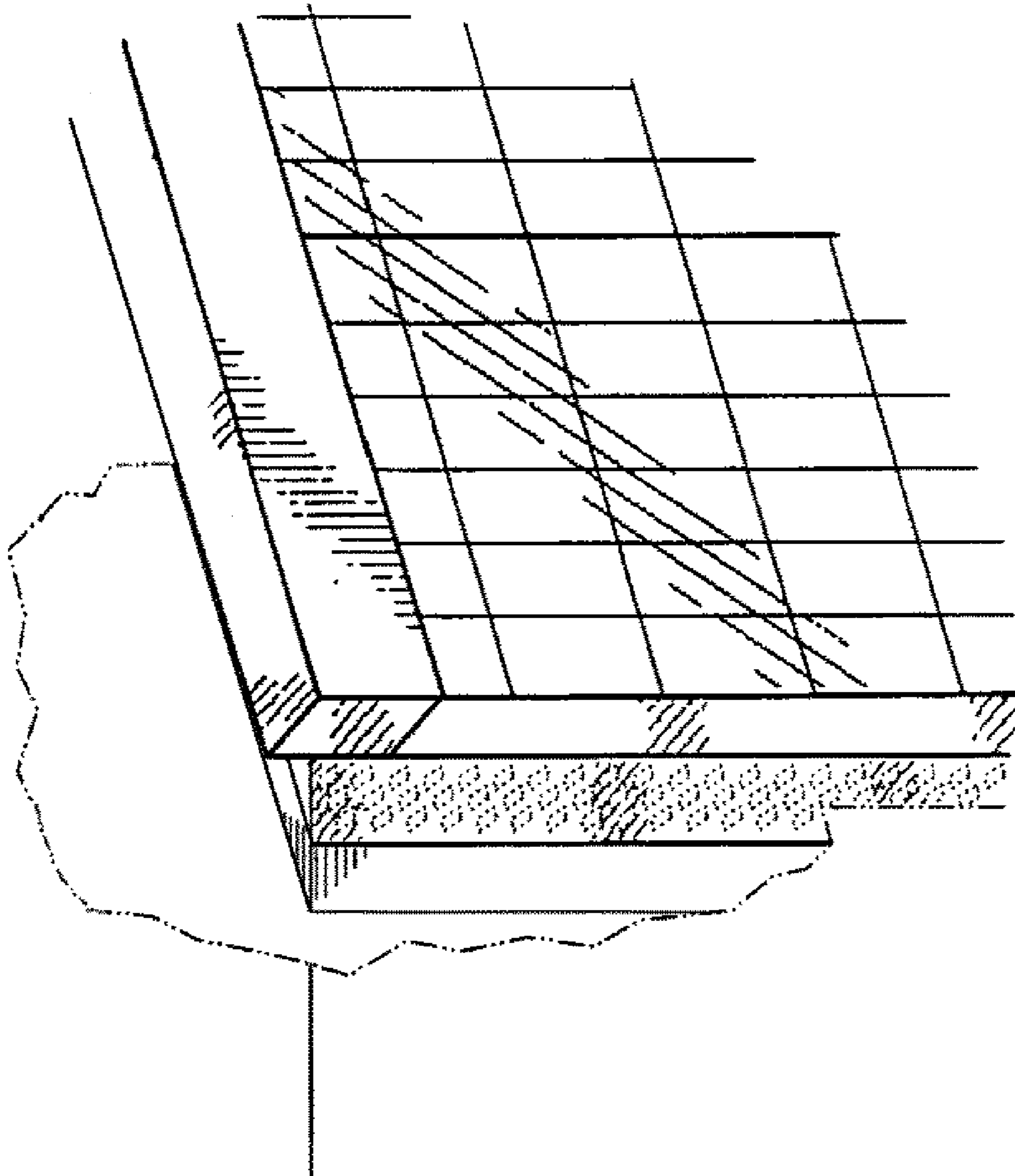


FIG. 6

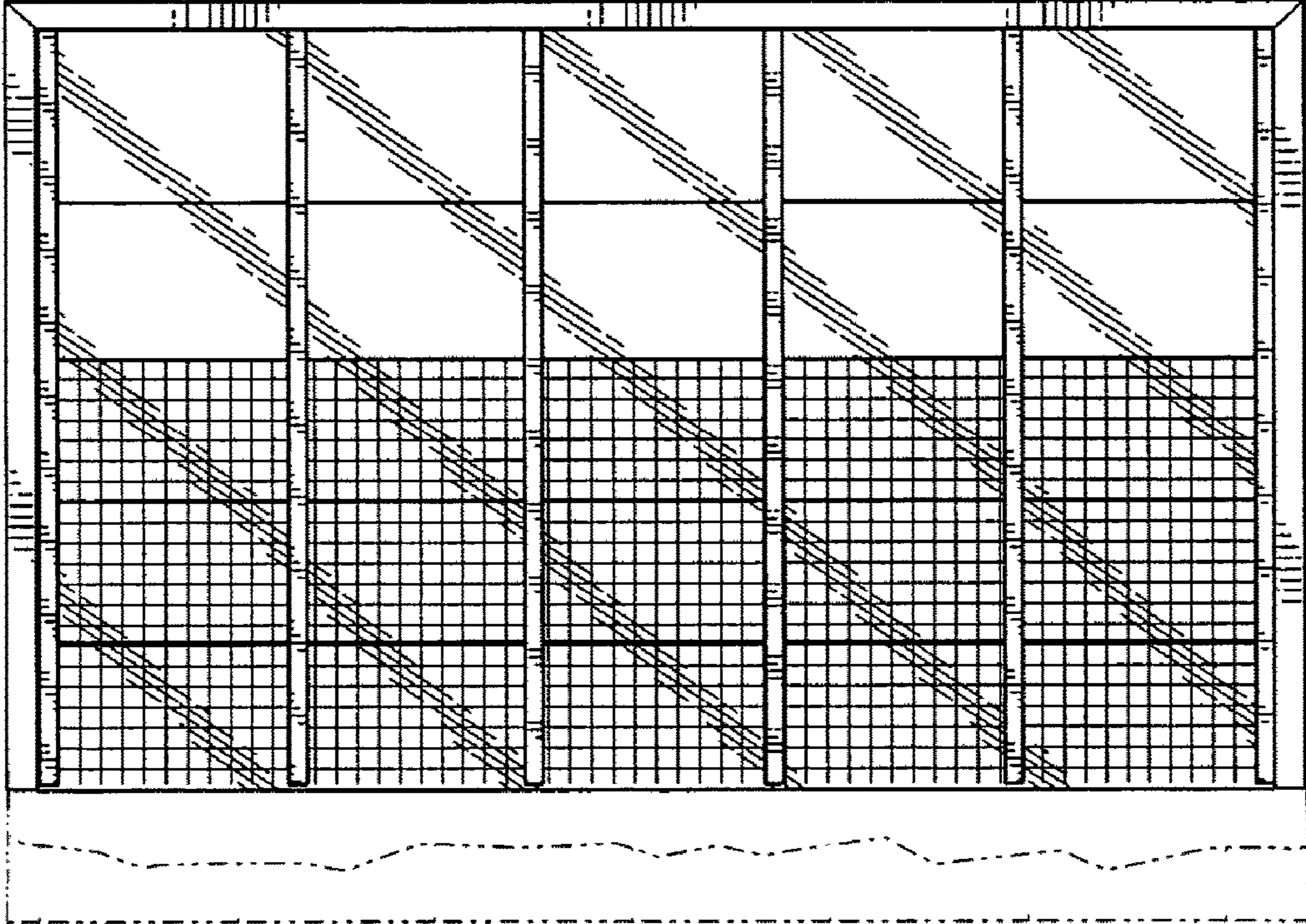


FIG. 7