



US00D630575S

(12) **United States Design Patent**  
**Waschek**

(10) **Patent No.:** **US D630,575 S**

(45) **Date of Patent:** **\*\* Jan. 11, 2011**

(54) **SOLAR LIGHTER**

D562,224 S \* 2/2008 Bonnaud ..... D13/102  
D563,866 S \* 3/2008 Bonnaud ..... D13/102  
D564,700 S \* 3/2008 Pu et al. .... D26/138

(75) Inventor: **Bernd Waschek**, Uhlandstr. 10, 89312  
Gunzburg (DE)

\* cited by examiner

(73) Assignees: **Bernd Waschek**, Gunzburg (DE); **Jens  
Bleich**, Irschenberg (DE); **Jurgen  
Bleich**, Germering (DE)

*Primary Examiner*—Prabhakar Desmukh  
*Assistant Examiner*—Derrick Holland  
(74) *Attorney, Agent, or Firm*—Dort Patent, P.C.

(\*\*) Term: **14 Years**

(57) **CLAIM**

(21) Appl. No.: **29/339,650**

The ornamental design for a solar lighter, as shown and  
described.

(22) Filed: **Jul. 3, 2009**

(51) **LOC (9) Cl.** ..... **13-02**

**DESCRIPTION**

(52) **U.S. Cl.** ..... **D13/102**

(58) **Field of Classification Search** ..... D13/102,  
D13/101, 199; D26/128, 138; D27/139,  
D27/141, 142, 154; 136/243–247

FIG. 1 is a front perspective view of a solar lighter showing  
my new design;

FIG. 2 is a front elevation view thereof;

FIG. 3 is a back elevation view thereof;

FIG. 4 is a side elevation view thereof;

FIG. 5 is a top plan view thereof; and,

FIG. 6 is a bottom plan view thereof.

See application file for complete search history.

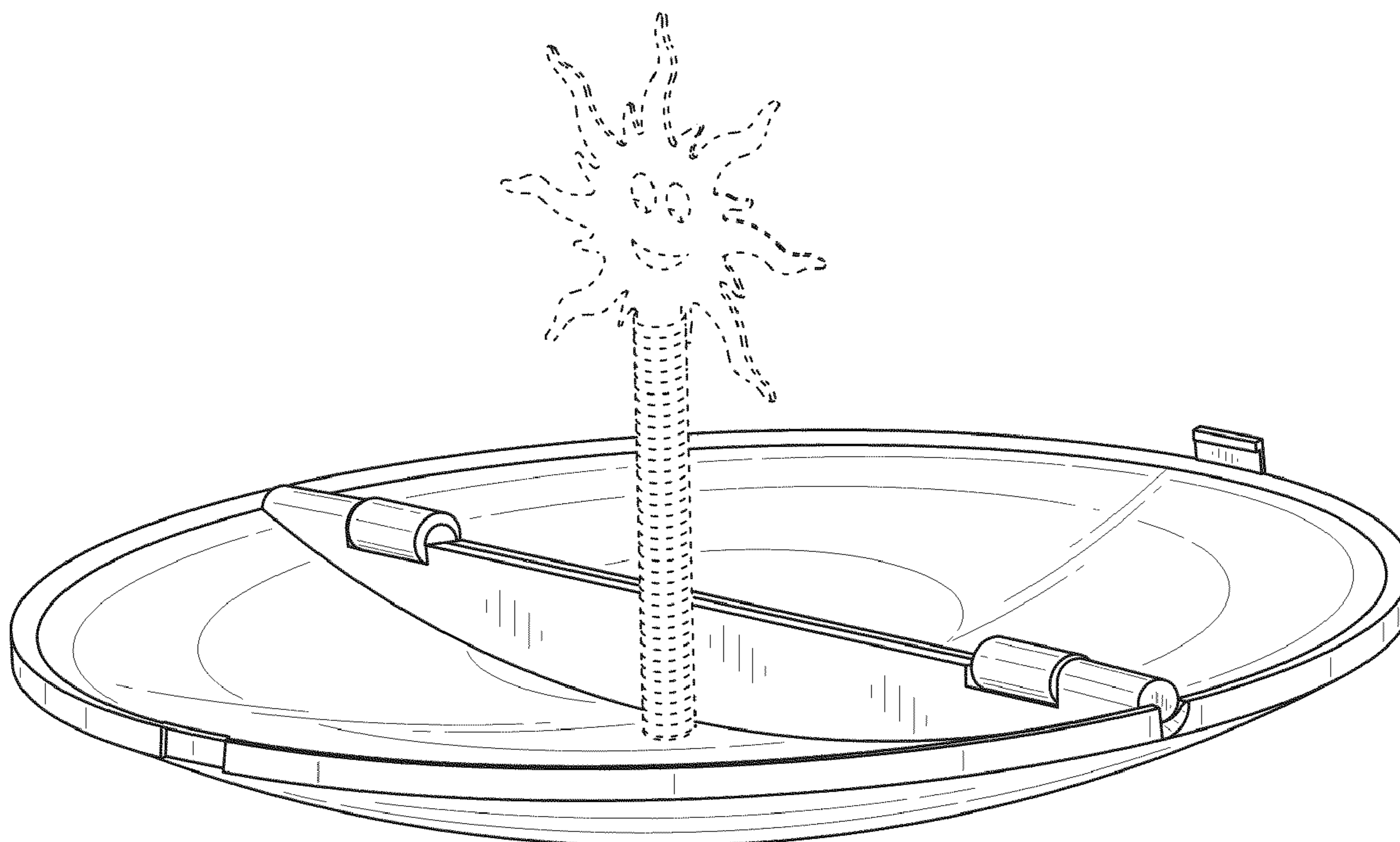
The broken lines shown represent unclaimed subject matter  
and form no part of the claimed design.

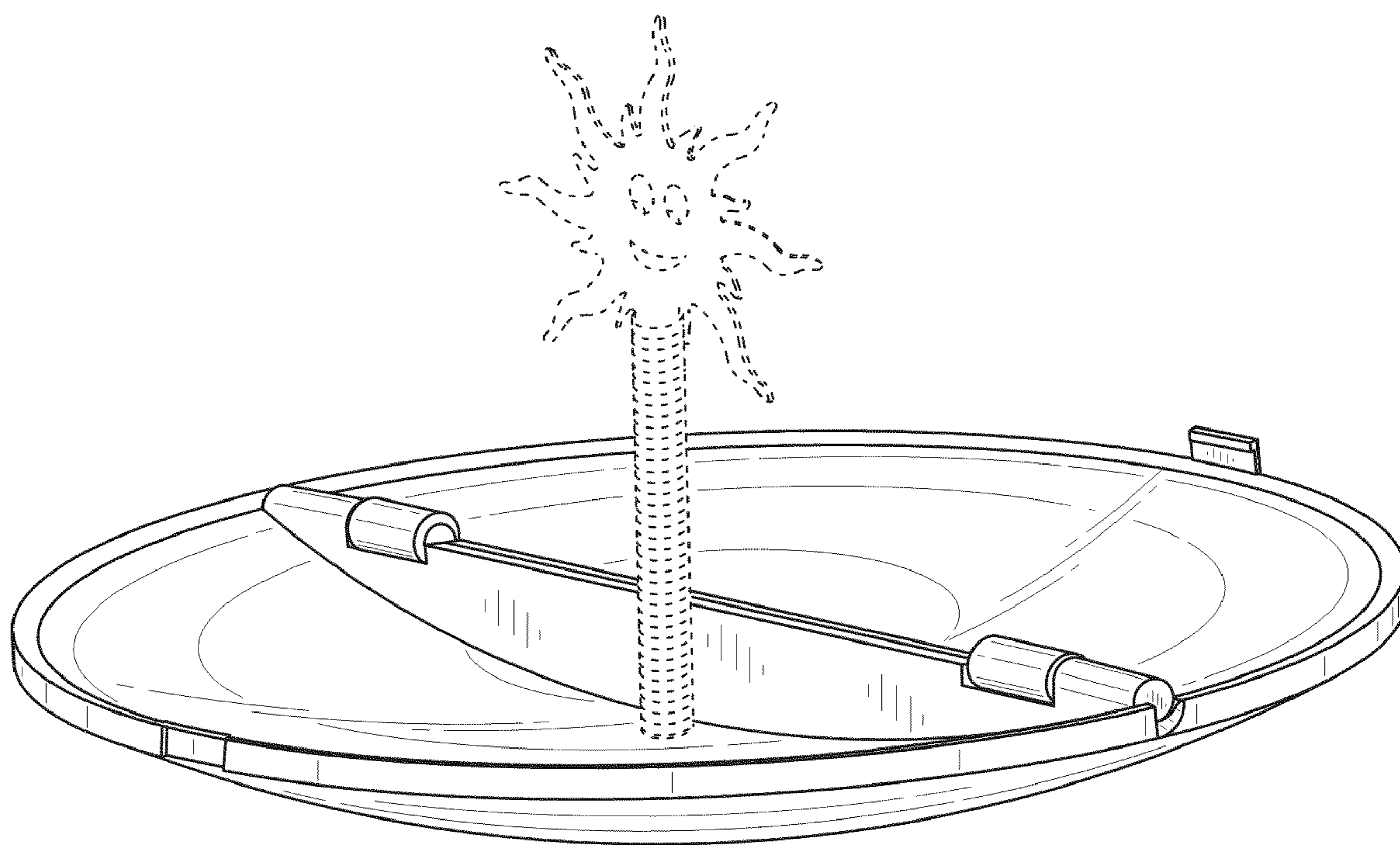
(56) **References Cited**

U.S. PATENT DOCUMENTS

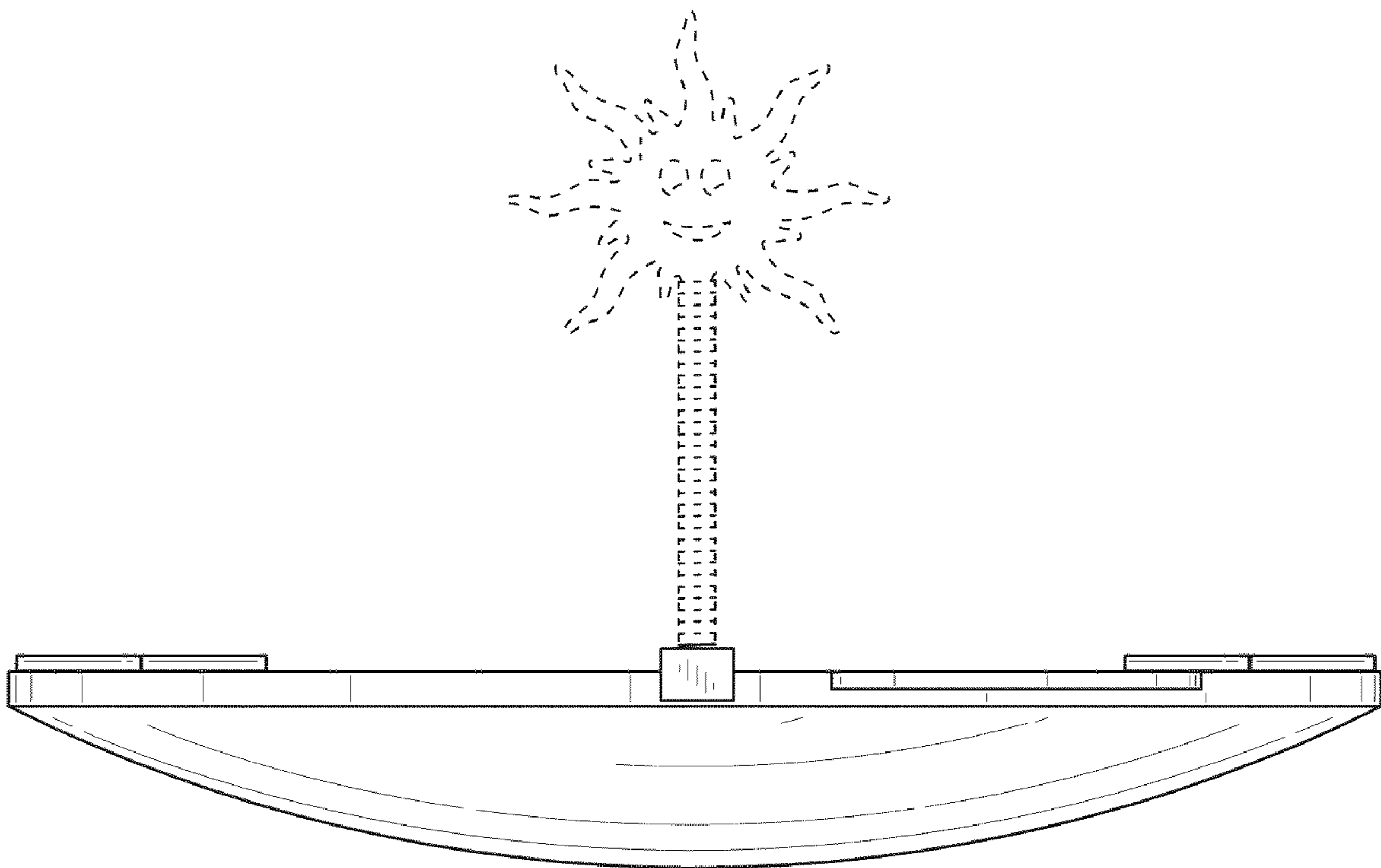
D156,392 S \* 12/1949 Wiggins ..... D27/157  
5,882,434 A \* 3/1999 Horne ..... 136/246  
D440,351 S \* 4/2001 Chen ..... D27/154  
D494,536 S \* 8/2004 Pu ..... D13/102  
D555,084 S \* 11/2007 Sharma et al. .... D13/102

**1 Claim, 6 Drawing Sheets**

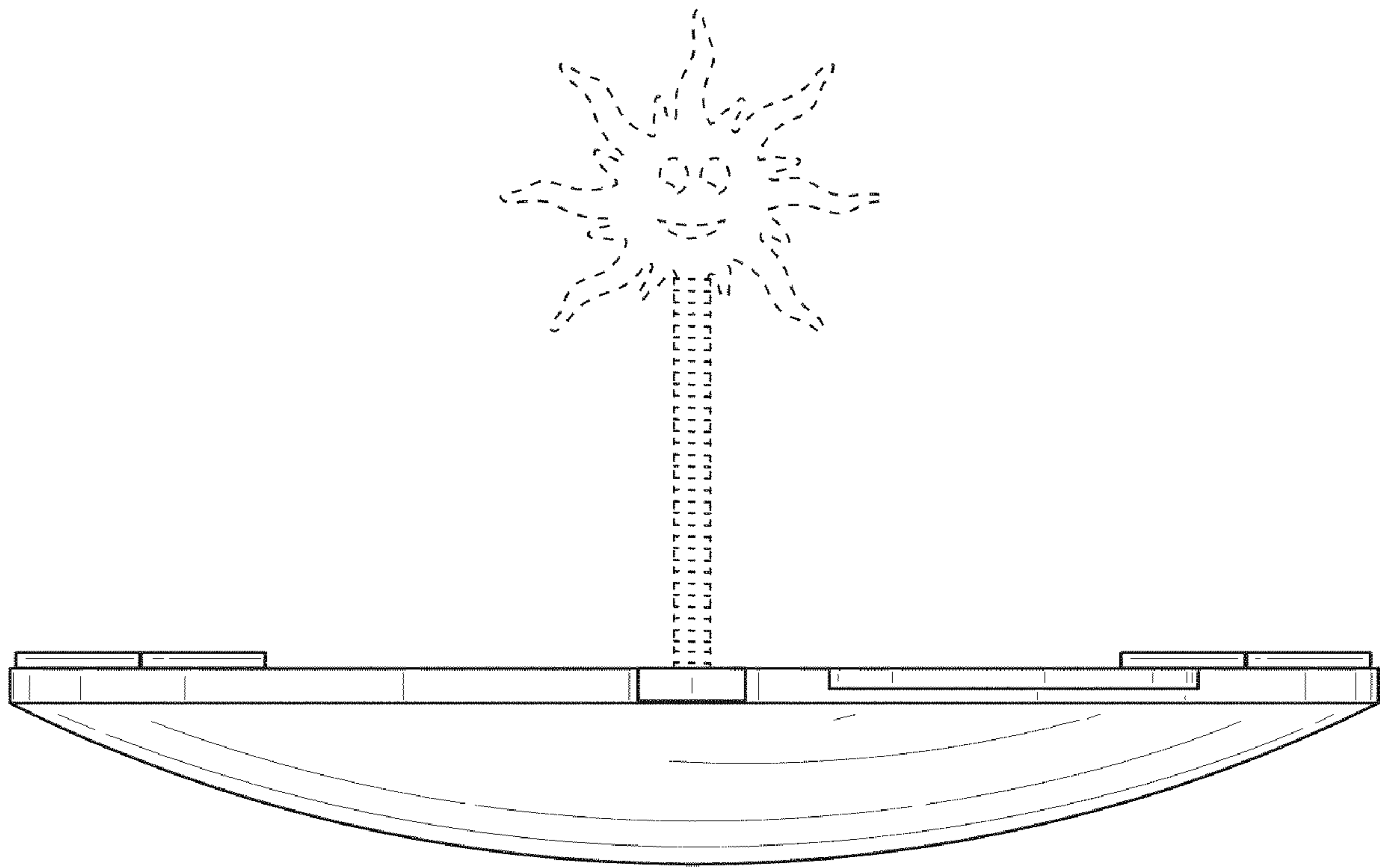




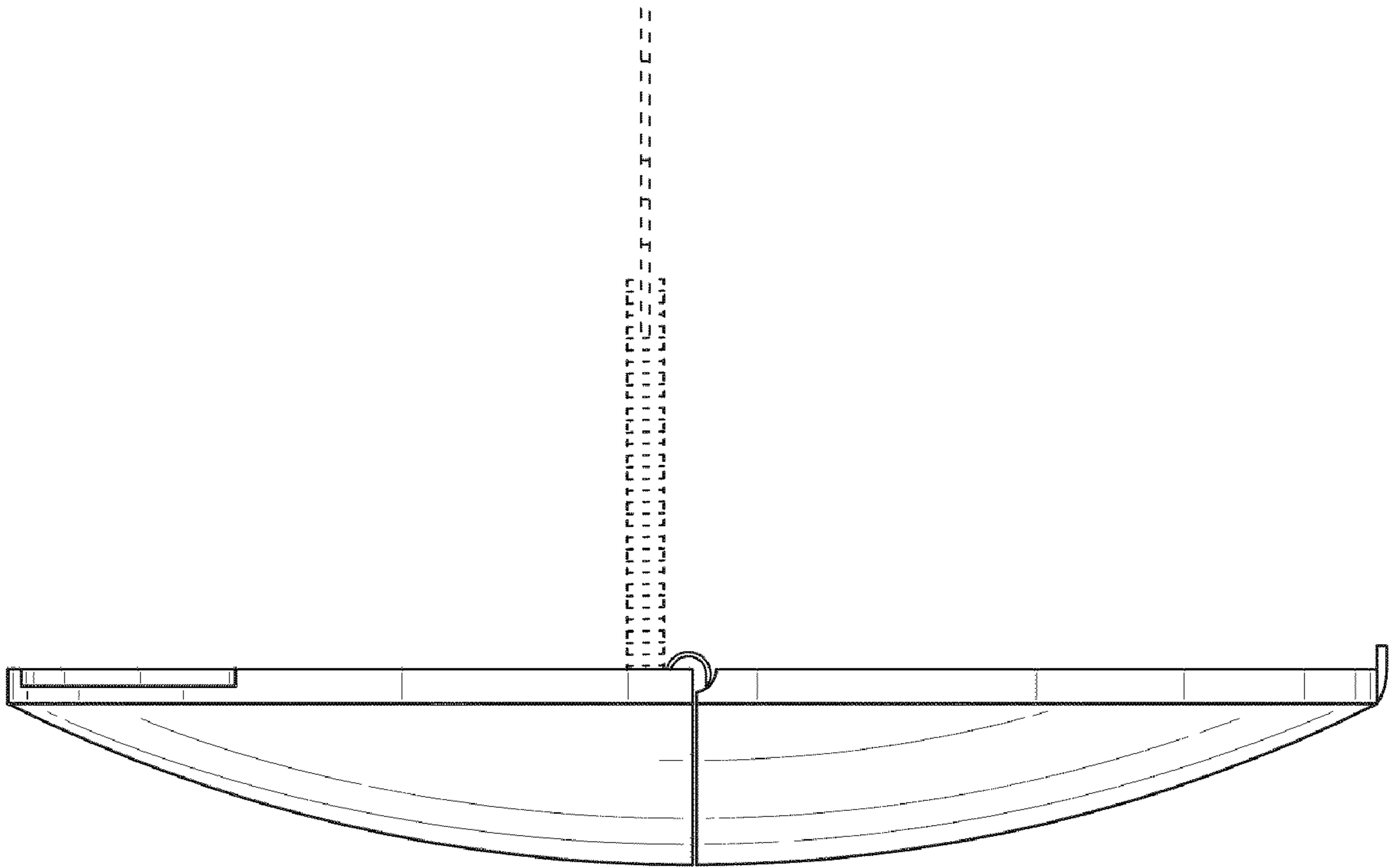
*FIG. 1*



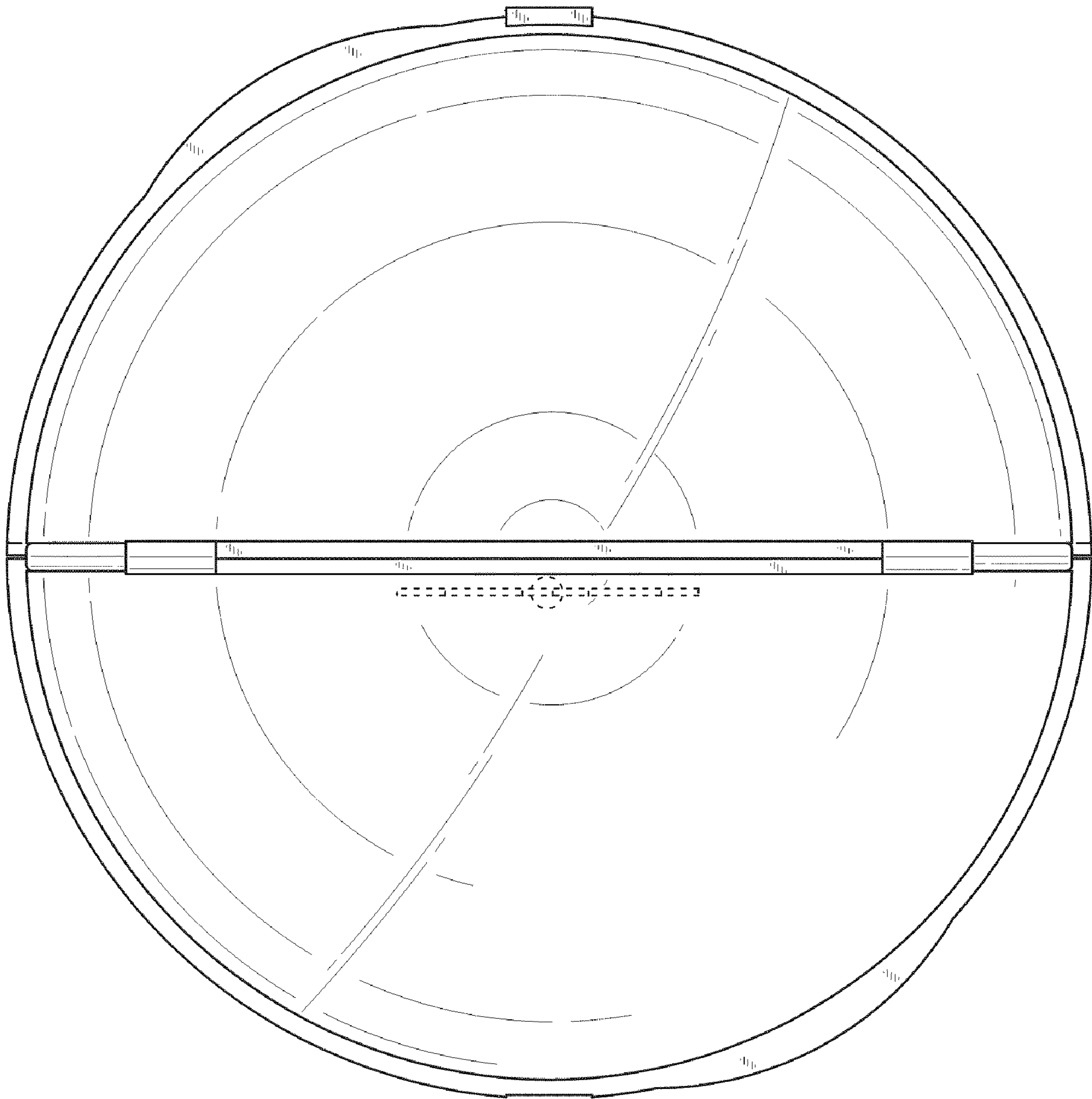
*FIG. 2*



*FIG. 3*



*FIG. 4*



**FIG. 5**

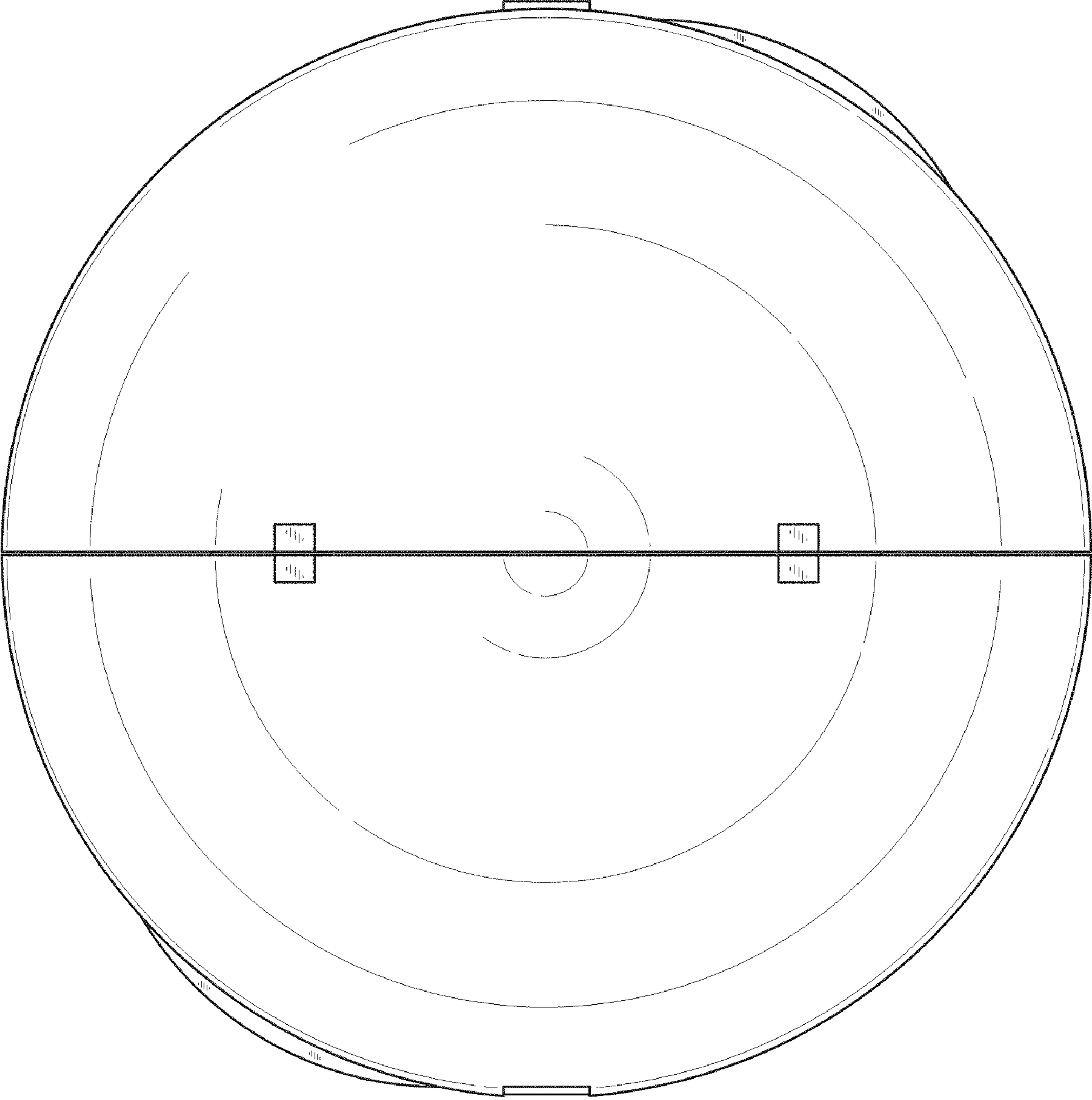


FIG.6