



US00D630574S

(12) **United States Design Patent**  
**Nakamura**

(10) **Patent No.:** **US D630,574 S**

(45) **Date of Patent:** **\*\* Jan. 11, 2011**

(54) **TREAD PORTION OF AN AUTOMOBILE TIRE**

(75) Inventor: **Takamitsu Nakamura**, Tokyo (JP)

(73) Assignee: **Bridgestone Corporation**, Tokyo (JP)

(\*\*) Term: **14 Years**

(21) Appl. No.: **29/362,327**

(22) Filed: **May 24, 2010**

(51) **LOC (9) Cl.** ..... **12-15**

(52) **U.S. Cl.** ..... **D12/531; D12/514**

(58) **Field of Classification Search** ..... D12/500-532,  
D12/900; 152/209.1, 209.8-209.19, 209.25-209.28  
See application file for complete search history.

(56) **References Cited**

**U.S. PATENT DOCUMENTS**

D311,890 S	*	11/1990	Covert et al.	.....	D12/523
D383,103 S	*	9/1997	Ratliff, Jr.	.....	D12/532
D551,612 S	*	9/2007	Maxwell et al.	.....	D12/514
D558,662 S	*	1/2008	Dumigan et al.	.....	D12/531
D592,586 S	*	5/2009	Maxwell et al.	.....	D12/531
D601,941 S	*	10/2009	Ashton et al.	.....	D12/531

D619,955 S \* 7/2010 Ashton et al. .... D12/521

\* cited by examiner

*Primary Examiner*—Stacia Cadmus

(74) *Attorney, Agent, or Firm*—Sughrue Mion, PLLC

(57) **CLAIM**

The ornamental design for a tread portion of an automobile tire, as shown and described.

**DESCRIPTION**

FIG. 1 is a front view of a tread portion of an automobile tire;

FIG. 2 is a perspective view thereof;

FIG. 3 is a left side view thereof;

FIG. 4 is a right side view thereof;

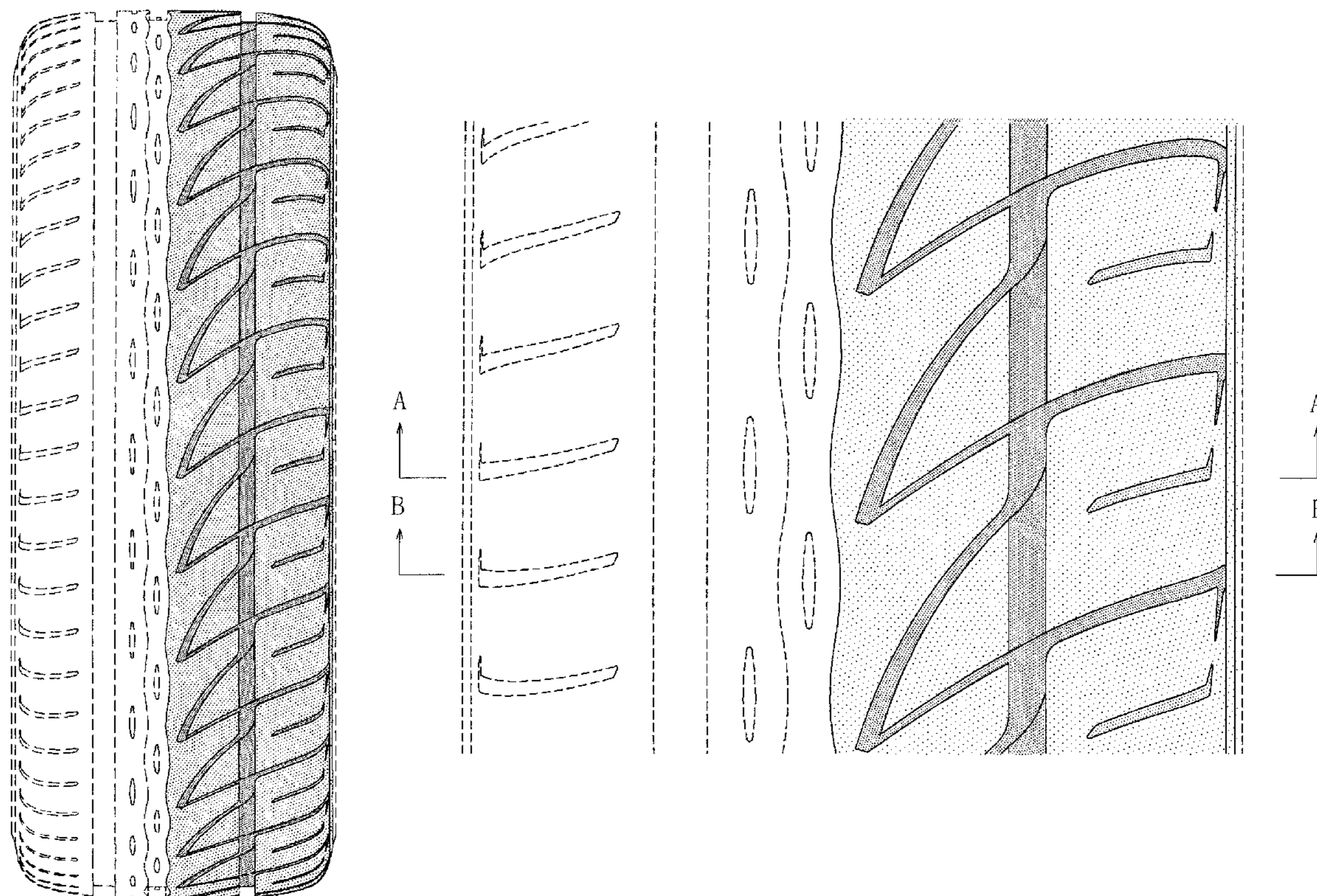
FIG. 5 is a fragmentary enlarged view showing the details of the tread portion thereof;

FIG. 6 is an end view taken along line A—A in FIG. 5; and,

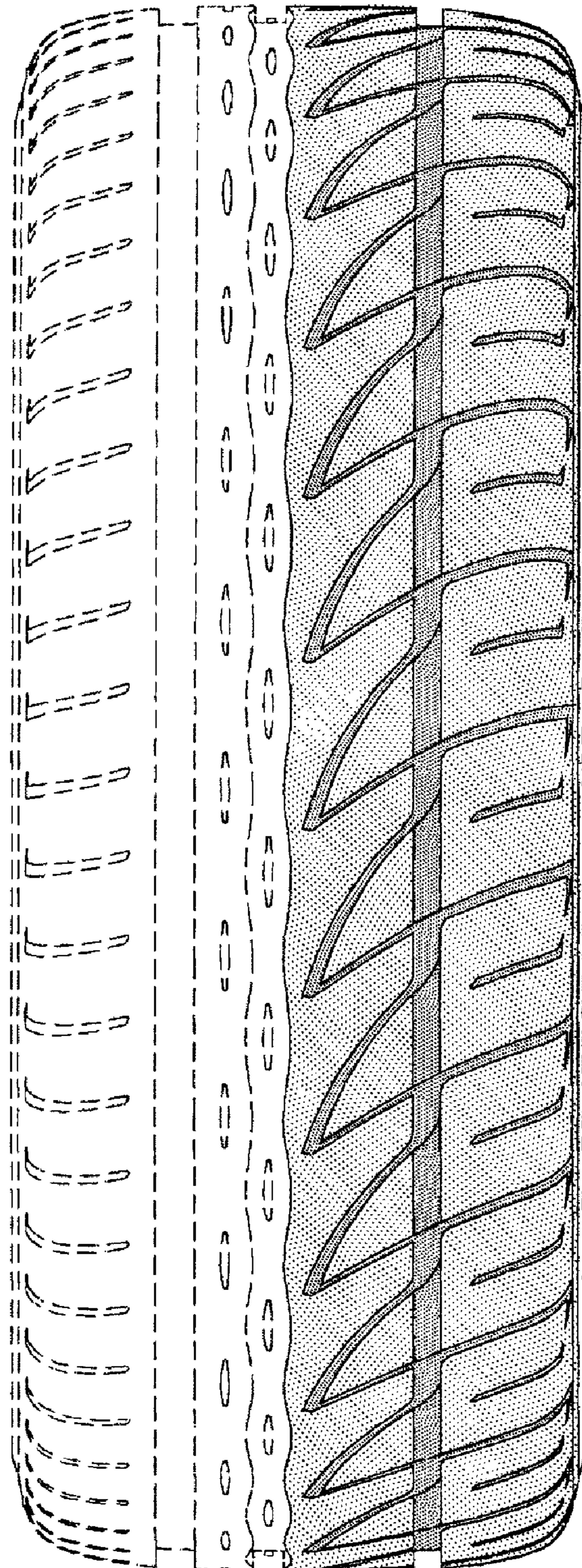
FIG. 7 is an end view taken along line B—B in FIG. 5.

Broken lines in the drawing figures are intended to show environmental structure only, and form no part of the claimed design.

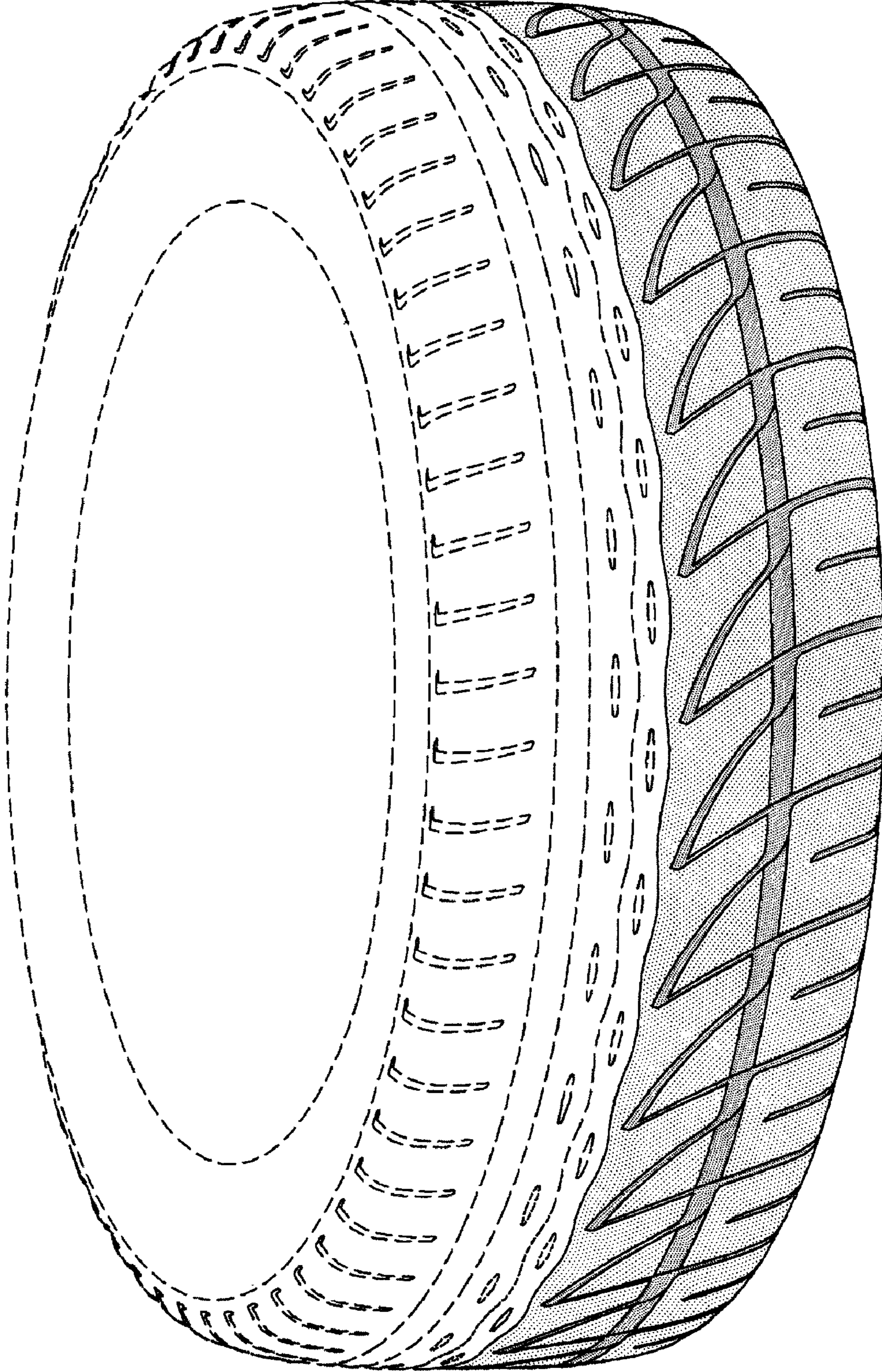
**1 Claim, 7 Drawing Sheets**



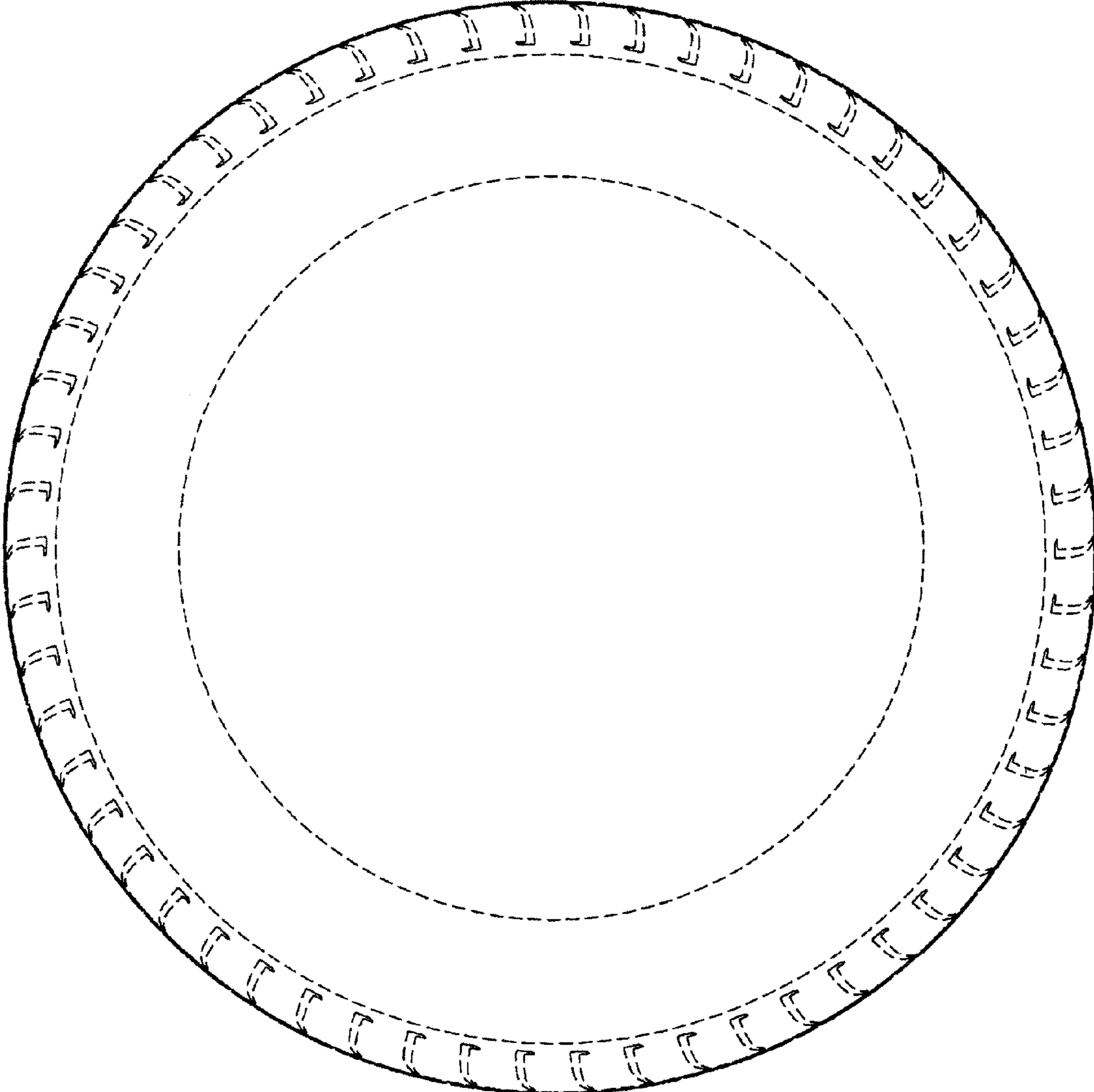
*FIG. 1*



*FIG. 2*



*FIG. 3*



*FIG. 4*

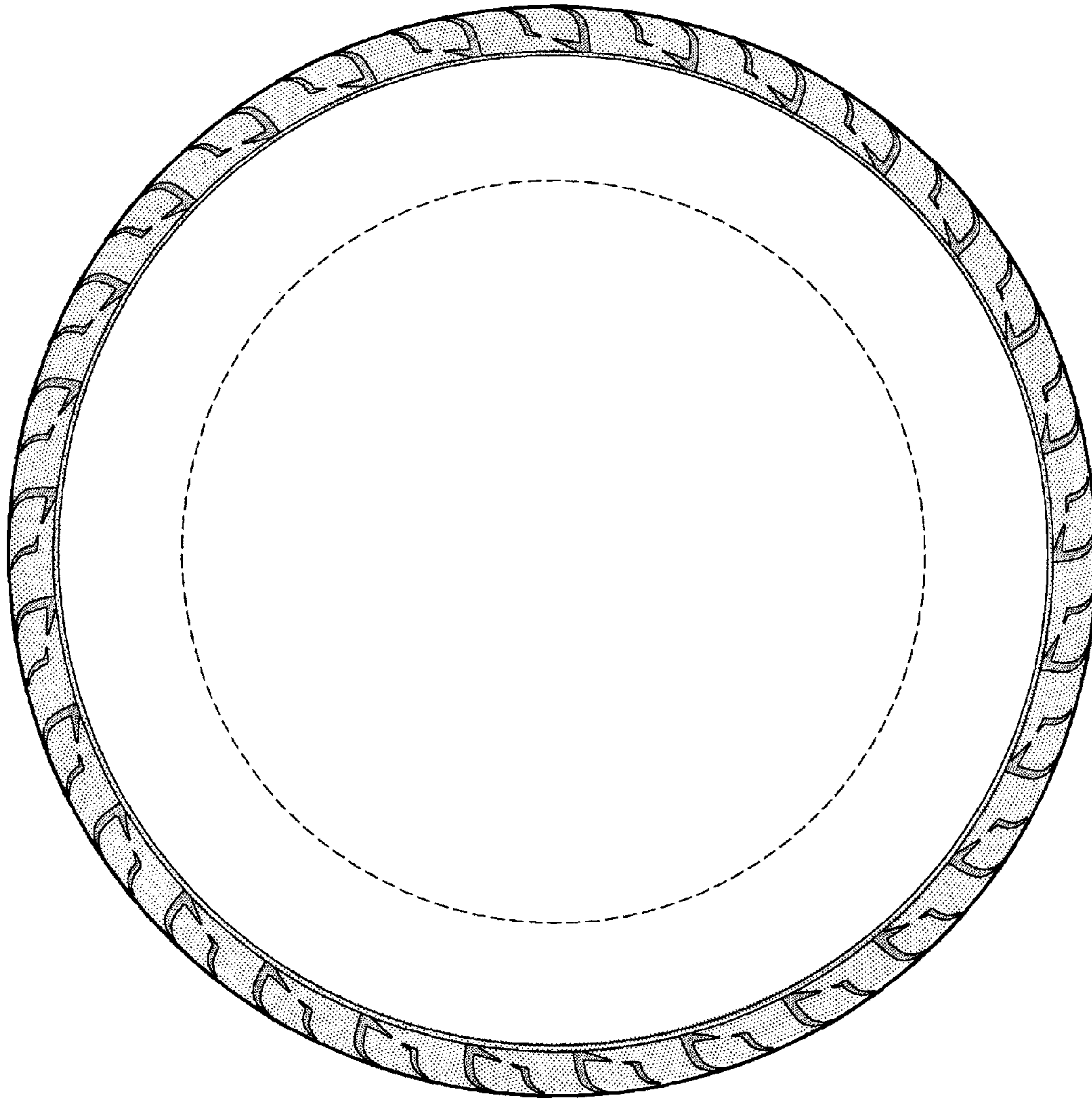
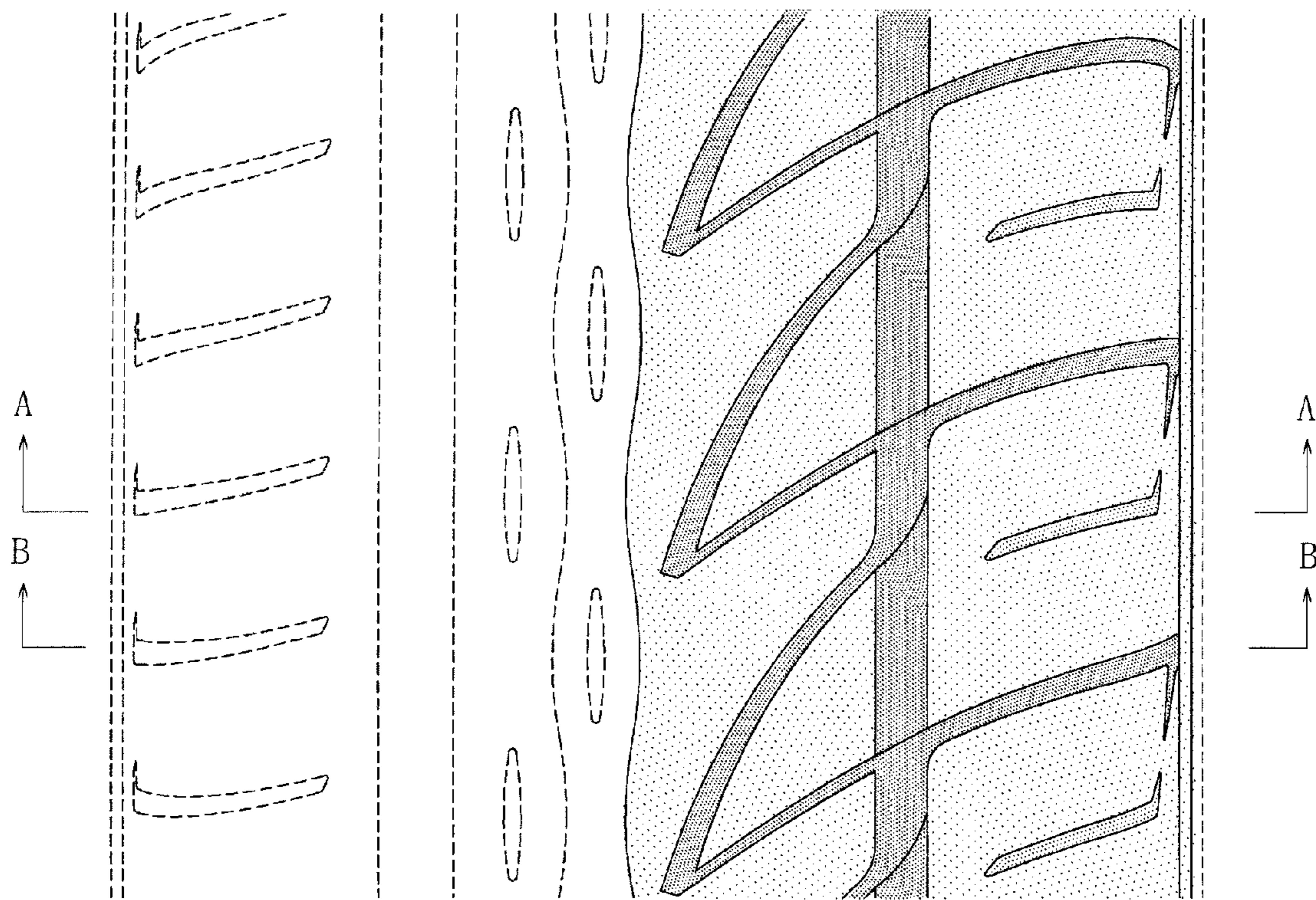
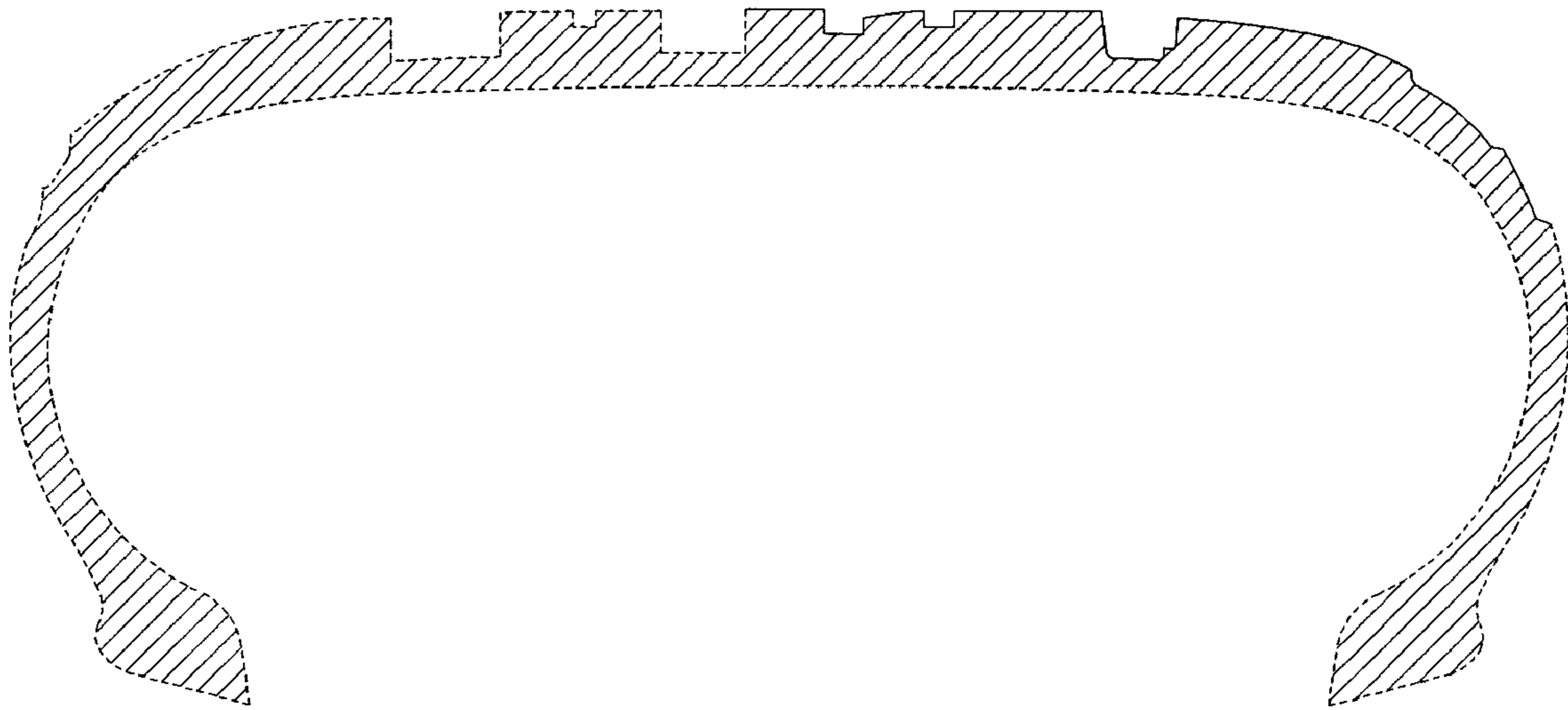


FIG. 5



*FIG. 6*



*FIG. 7*

