



US00D630572S

(12) **United States Design Patent**
Weaver et al.

(10) **Patent No.:** **US D630,572 S**
(45) **Date of Patent:** **** Jan. 11, 2011**

(54) **PLATFORM PORTION OF A BICYCLE CARRIER RACK**

(75) Inventors: **Greg G. Weaver**, Waterbury, CT (US);
Joseph R. Flaherty, Prospect, CT (US);
Thomas J. Hanson, Rye, NY (US);
Timothy J. Makris, Sandy Hook, CT (US);
Keith Prescott, Cambridge, VT (US)

(73) Assignee: **Thule Sweden AB**, Hillerstorp (SE)

(**) Term: **14 Years**

(21) Appl. No.: **29/344,042**

(22) Filed: **Sep. 22, 2009**

Related U.S. Application Data

(63) Continuation of application No. 29/344,039, filed on Sep. 22, 2009.

(51) **LOC (9) Cl.** **12-11**

(52) **U.S. Cl.** **D12/408**

(58) **Field of Classification Search** D12/412,
D12/115, 120, 406-408; 224/400, 412, 413,
224/488, 489, 493, 497, 500, 512-514, 42.12,
224/42.13, 924, 522-537; 280/202, 292
See application file for complete search history.

(56) **References Cited**

U.S. PATENT DOCUMENTS

3,912,139 A * 10/1975 Bowman 224/924
4,085,874 A * 4/1978 Graber 224/321
4,394,948 A * 7/1983 Graber 224/314
4,726,499 A * 2/1988 Hoerner 224/314

D306,992 S * 4/1990 Morehouse D12/408
4,997,116 A * 3/1991 Grim 224/493
5,135,145 A * 8/1992 Hannes et al. 224/493
5,211,323 A * 5/1993 Chimenti et al. 224/314
5,305,936 A * 4/1994 Nusbaum 224/324
5,826,767 A * 10/1998 Chimenti et al. 224/324
6,019,266 A * 2/2000 Johnson 224/534
D430,533 S * 9/2000 Peschmann et al. D12/408
6,345,748 B1 * 2/2002 Chimenti et al. 224/324
D467,219 S * 12/2002 Peschmann D12/408
7,165,704 B2 * 1/2007 Lo 224/499

* cited by examiner

Primary Examiner—Philip S Hyder

Assistant Examiner—Linda G. Brooks

(74) *Attorney, Agent, or Firm*—Novak Druce + Quigg LLP

(57) **CLAIM**

We claim the ornamental design for a platform portion of a bicycle carrier rack, as shown and described.

DESCRIPTION

FIG. 1 is a perspective view of a platform portion of a bicycle carrier rack;

FIG. 2 is a rear elevational view thereof;

FIG. 3 is a front elevational view thereof;

FIG. 4 is a top plan view thereof;

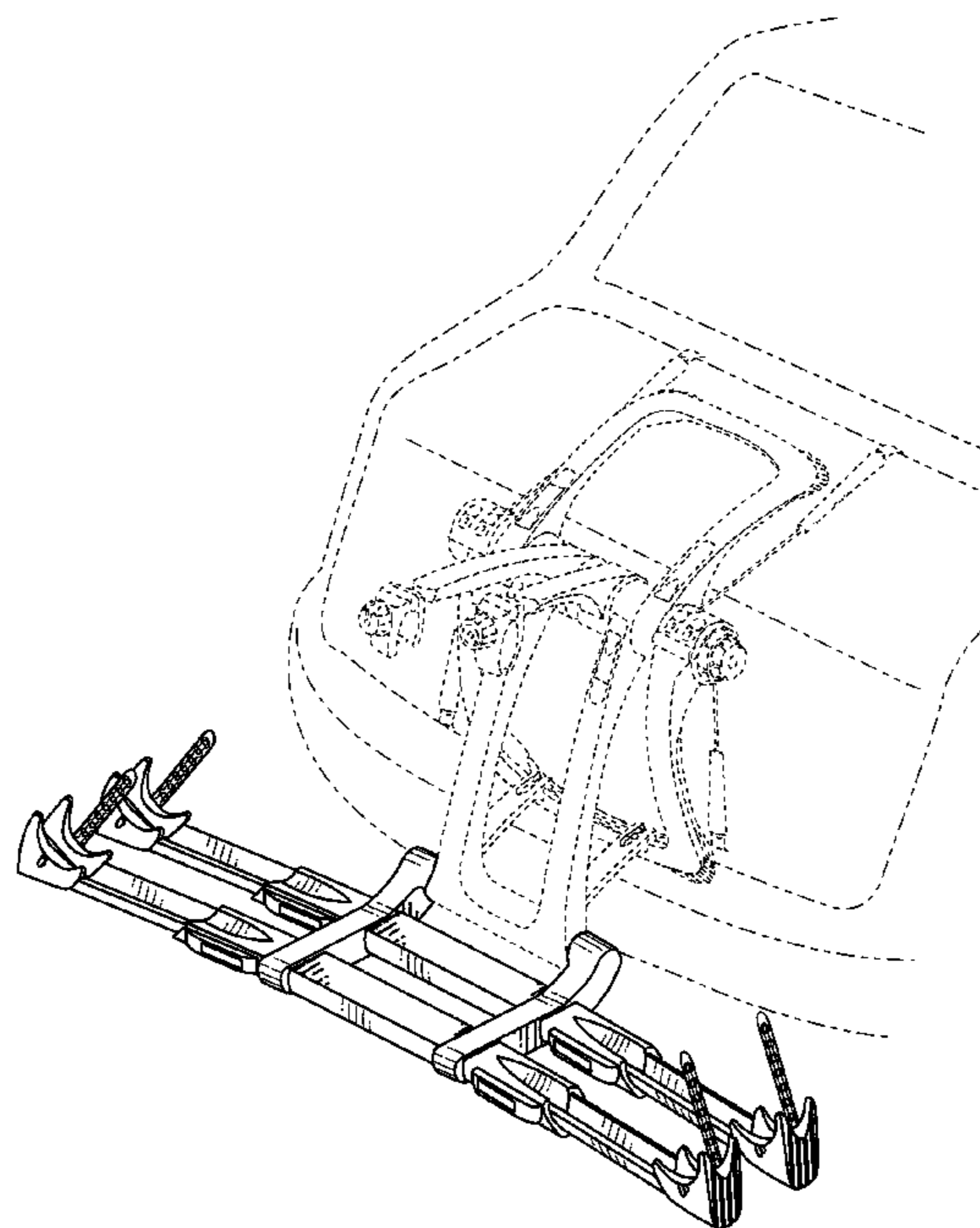
FIG. 5 is a bottom plan view thereof;

FIG. 6 is left side elevational view thereof; and,

FIG. 7 is a right side elevational view thereof.

The broken lines illustrate environmental structure that forms no part of the claimed design.

1 Claim, 7 Drawing Sheets



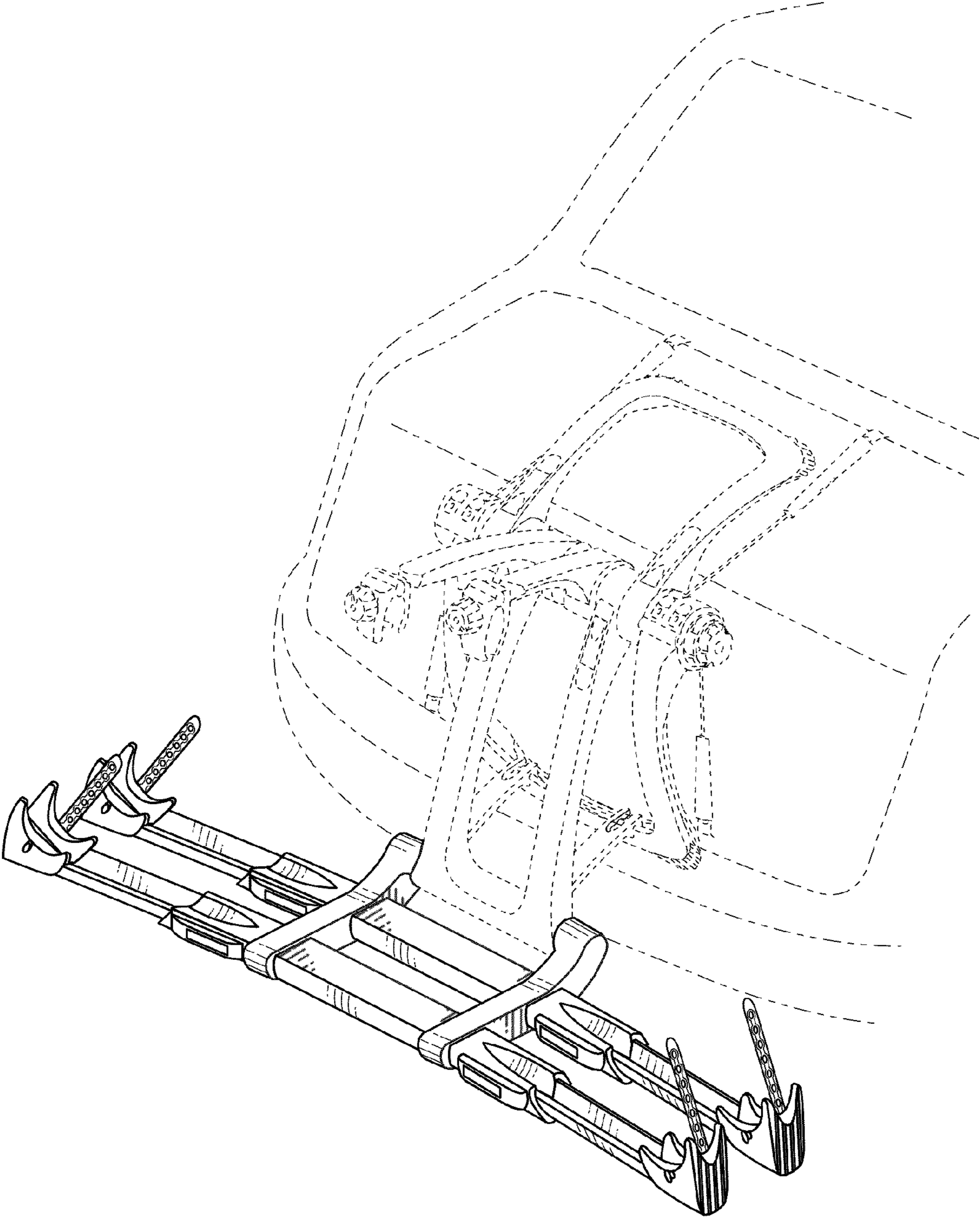


FIG. 1

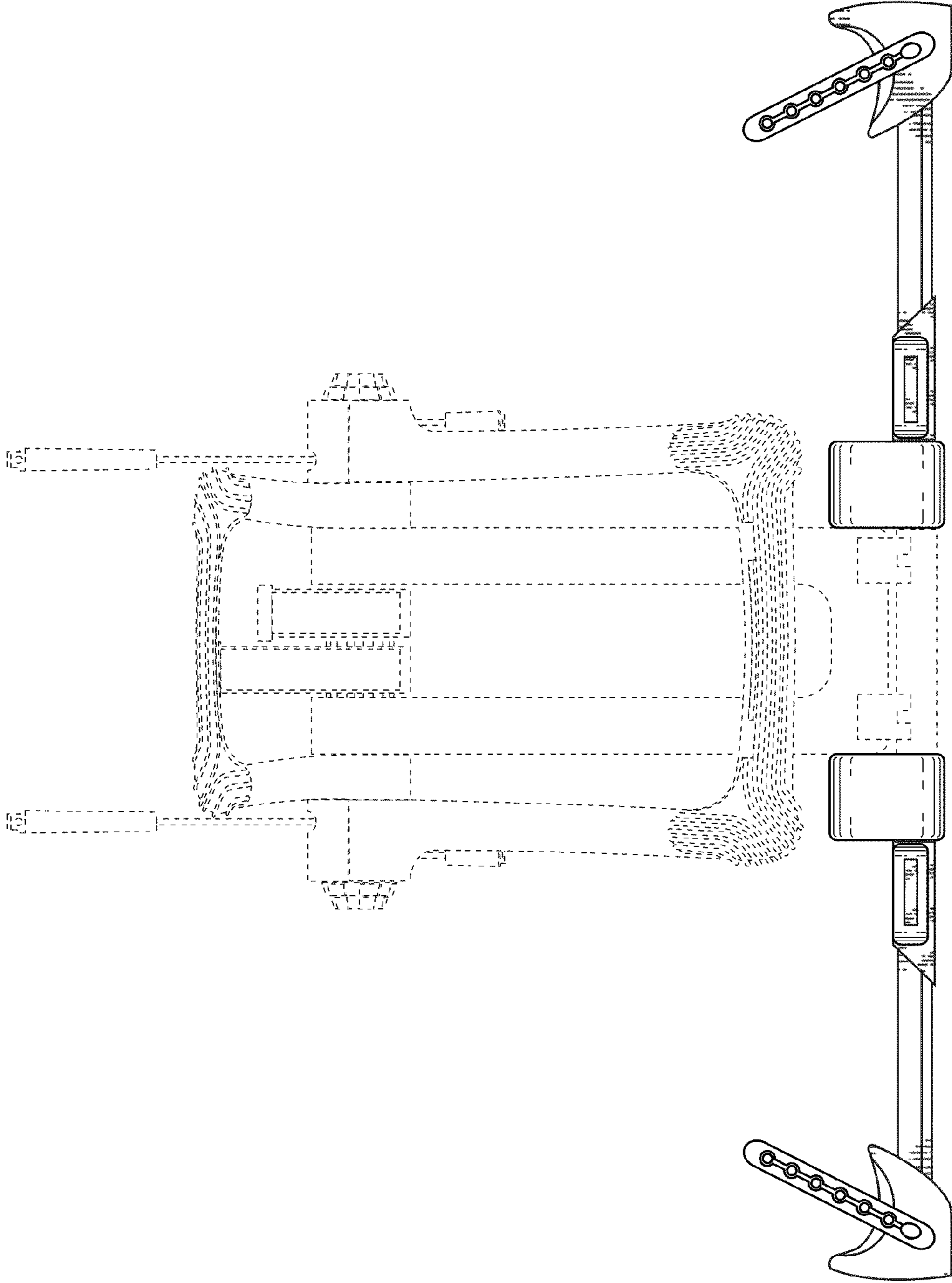


FIG. 2

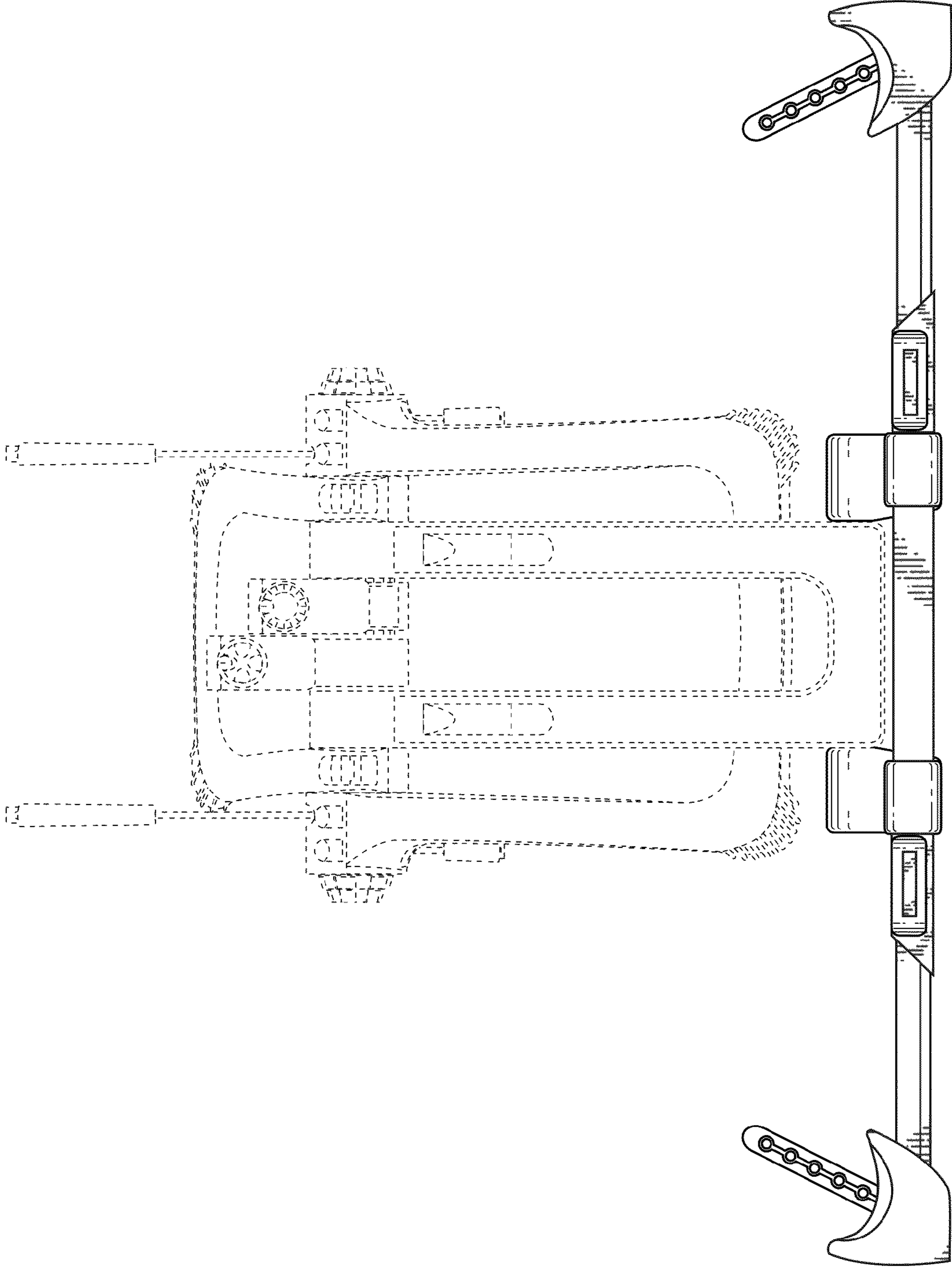


FIG. 3

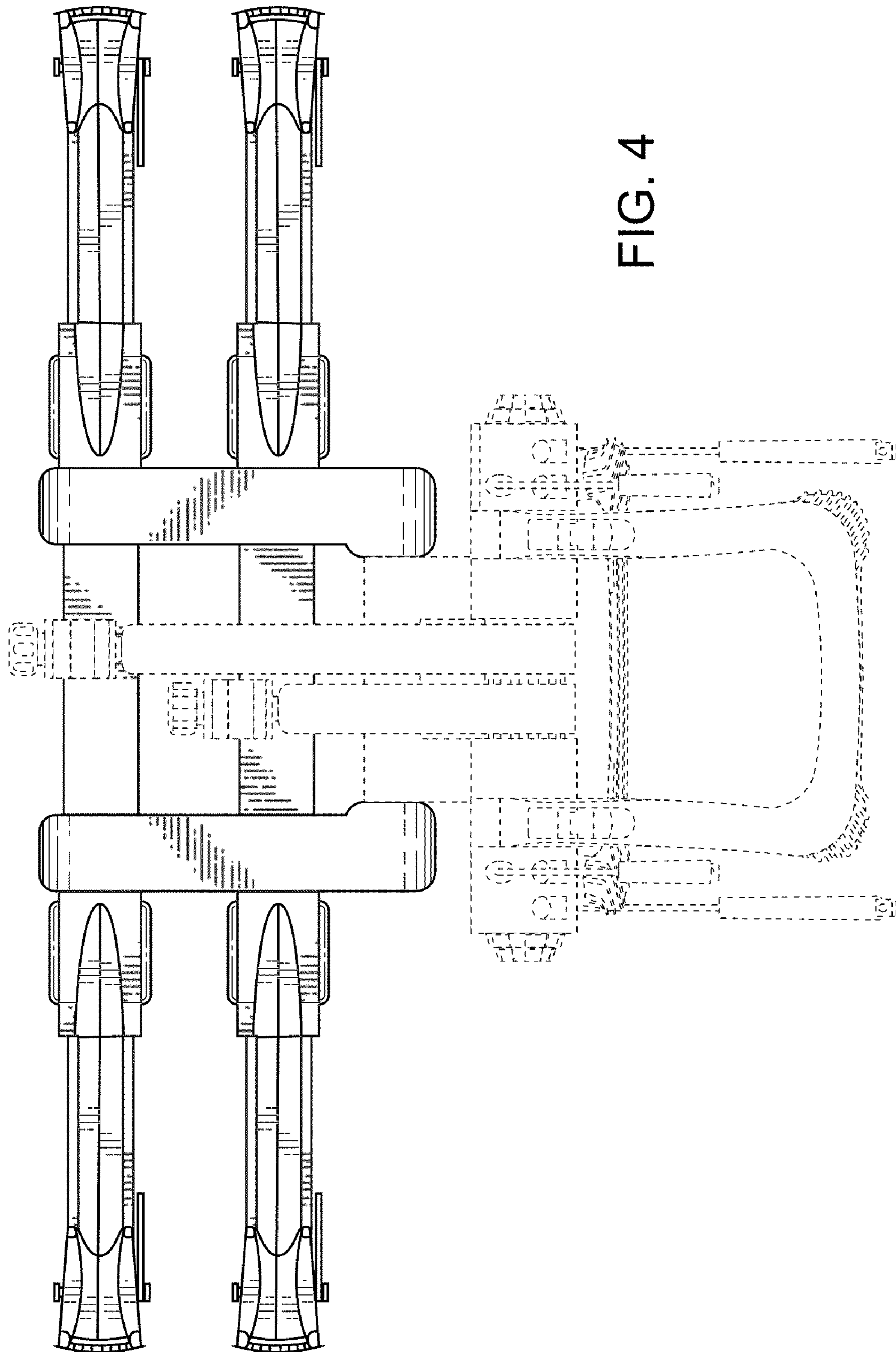


FIG. 4

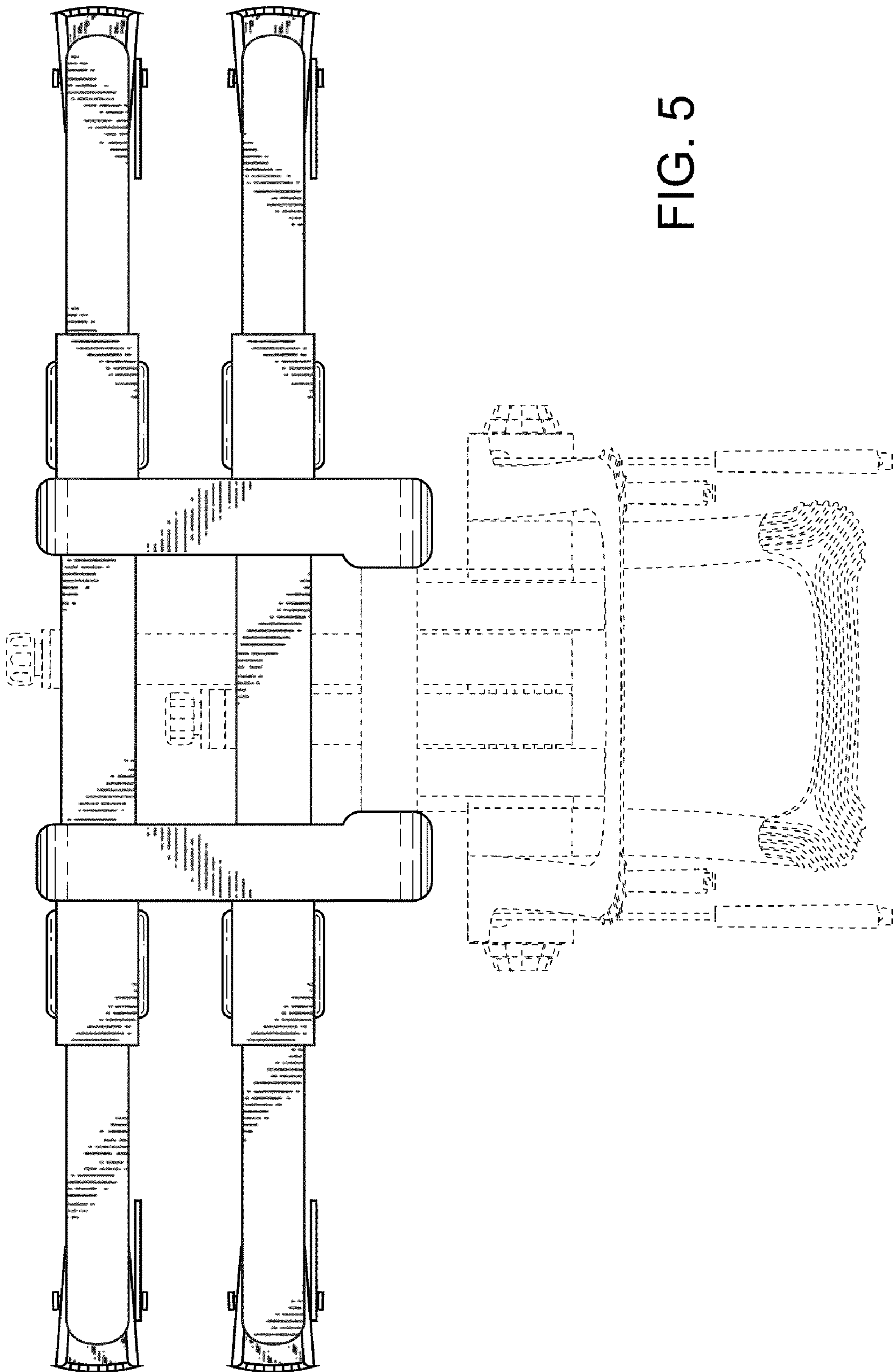


FIG. 5

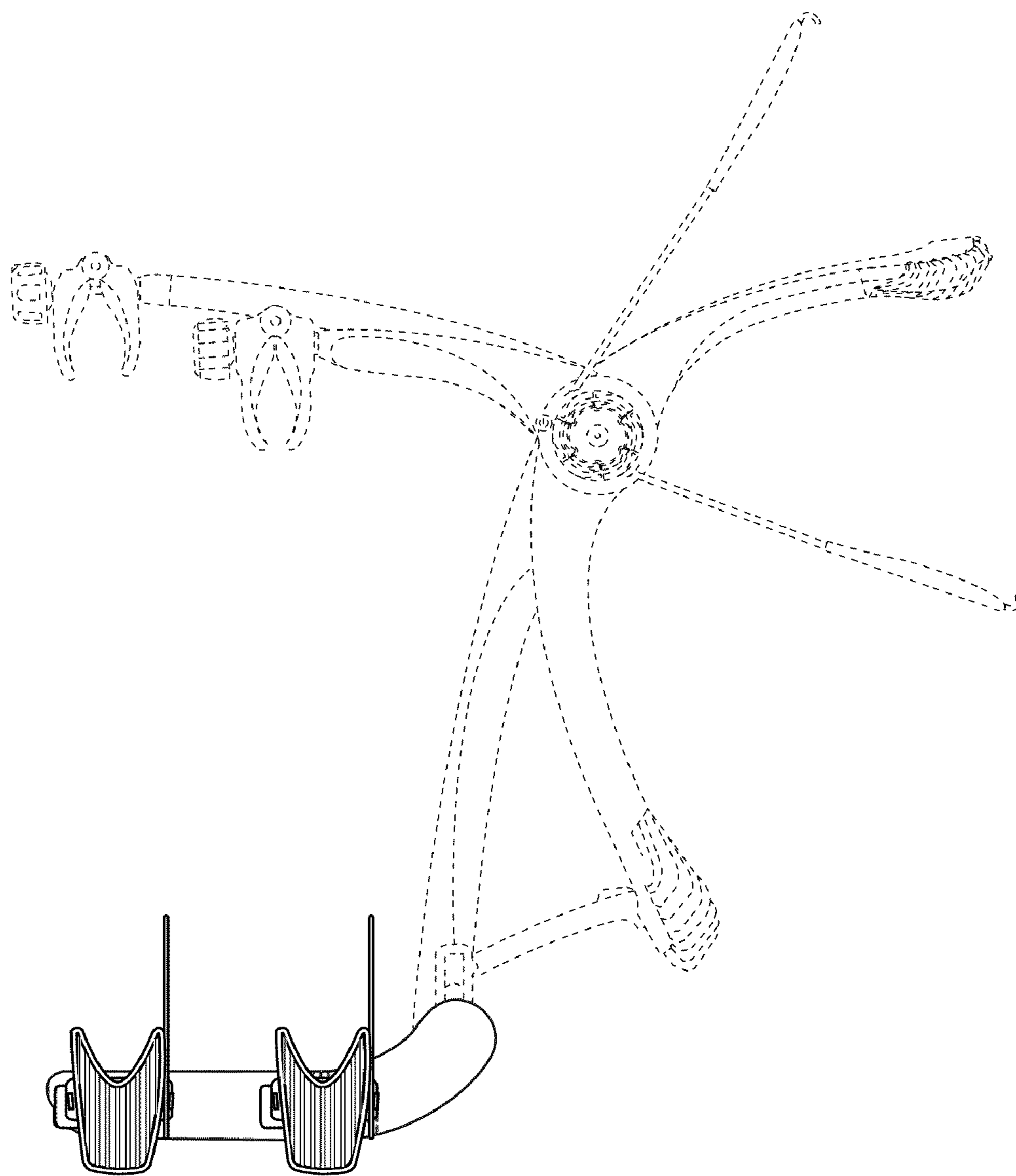


FIG. 6

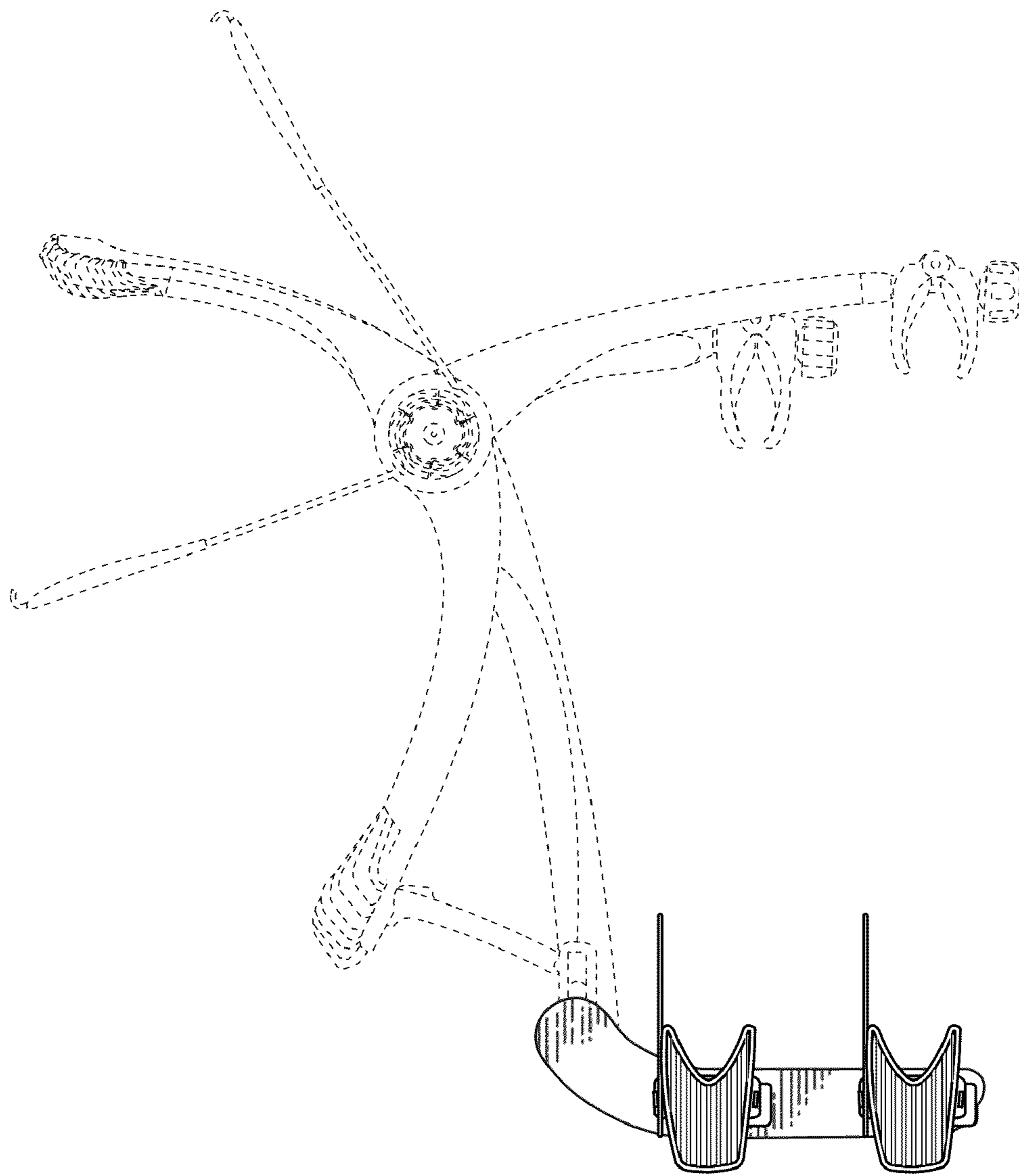


FIG. 7