



US00D630571S

(12) **United States Design Patent**
Kading et al.

(10) **Patent No.:** **US D630,571 S**

(45) **Date of Patent:** **** Jan. 11, 2011**

(54) **HOOD HOLD-DOWN**

(75) Inventors: **Khristopher Kading**, Las Vegas, NV (US); **Shane Wagner**, Henderson, NV (US)

(73) Assignee: **Drake Automotive Group**, Henderson, NV (US)

(**) Term: **14 Years**

(21) Appl. No.: **29/346,562**

(22) Filed: **Nov. 2, 2009**

(51) **LOC (9) Cl.** **12-16**

(52) **U.S. Cl.** **D12/400**

(58) **Field of Classification Search** D12/400, D12/401, 404, 406, 412, 414, 222, 223, 86, D12/93, 101; 224/923, 924; 211/100, 124, 211/2, 4, 85.7; D6/552

See application file for complete search history.

(56) **References Cited**

U.S. PATENT DOCUMENTS

359,743	A *	3/1887	Hull et al.	210/313
3,709,316	A *	1/1973	Glance	180/69.21
3,754,614	A *	8/1973	Habas	180/69.21
3,828,885	A *	8/1974	Eissinger et al.	180/69.21

* cited by examiner

Primary Examiner—Caron Veynar
Assistant Examiner—Katrina A Kile
(74) *Attorney, Agent, or Firm*—Koppel, Patrick, Heybl & Dawson

(57) **CLAIM**

The ornamental design for a hood hold-down, as shown and described.

DESCRIPTION

FIG. 1 is a perspective view showing a hood hold-down design according to the present invention;

FIG. 2 is a front view of the hood hold-down shown in FIG. 1;

FIG. 3 is a left side view of the hood hold-down shown in FIG. 1;

FIG. 4 is a top view of the hood hold-down shown in FIG. 1;

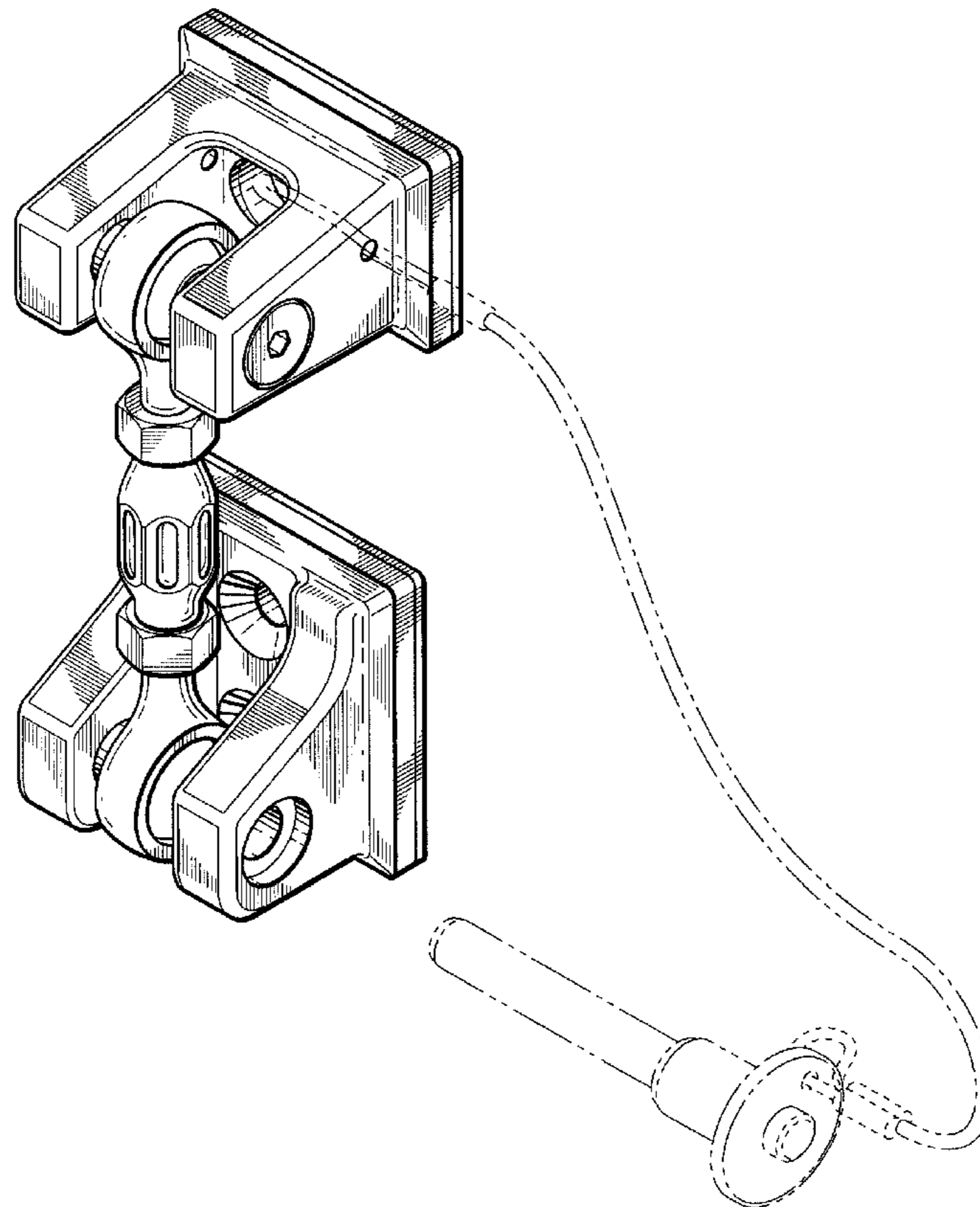
FIG. 5 is a back view of the hood hold-down shown in FIG. 1;

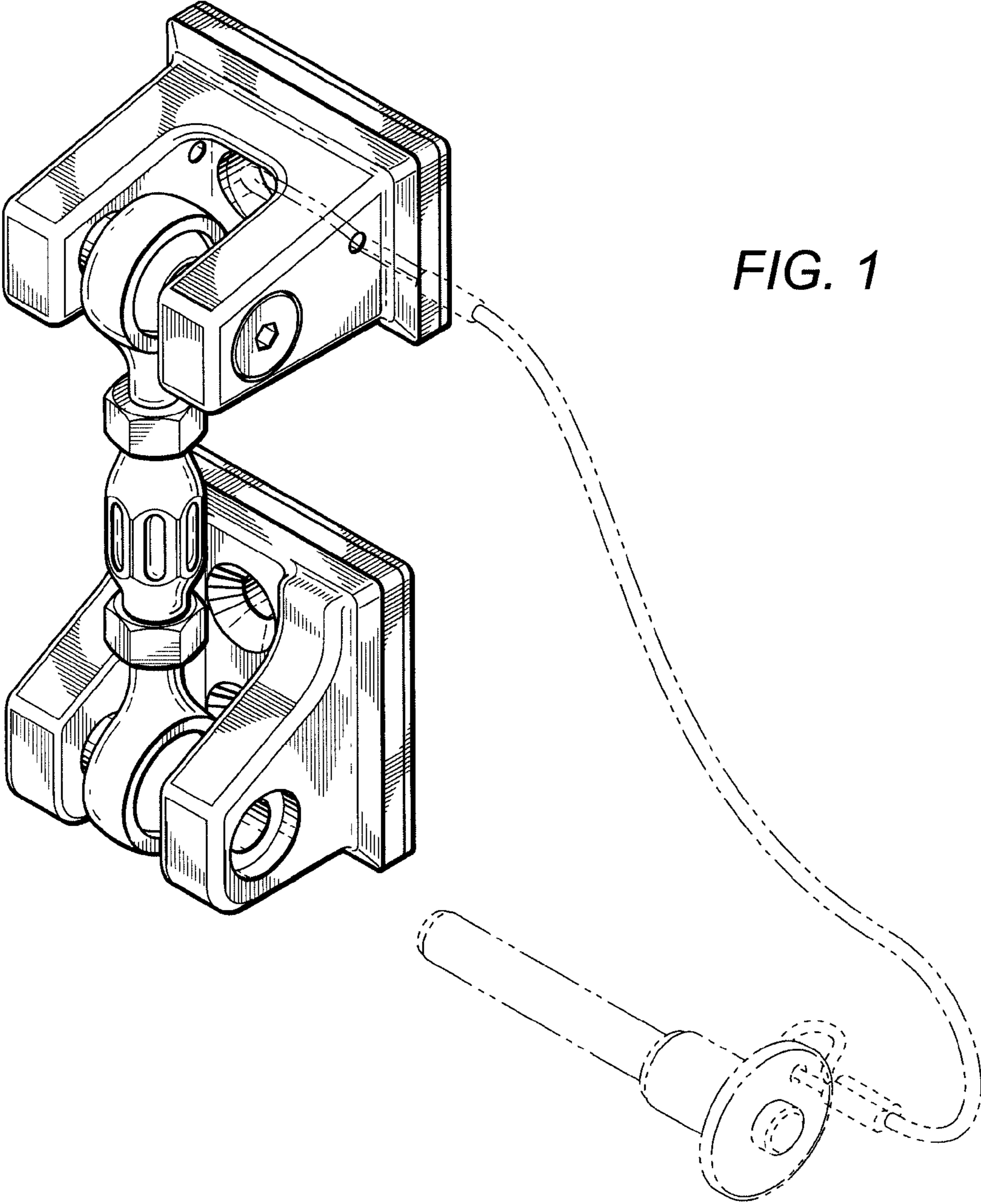
FIG. 6 is a right side view of the hood hold-down shown in FIG. 1; and,

FIG. 7 is a bottom view of the hood hold-down shown in FIG. 1.

In the drawings, the broken lines in depict portions of the design that form no part of the claim.

1 Claim, 3 Drawing Sheets





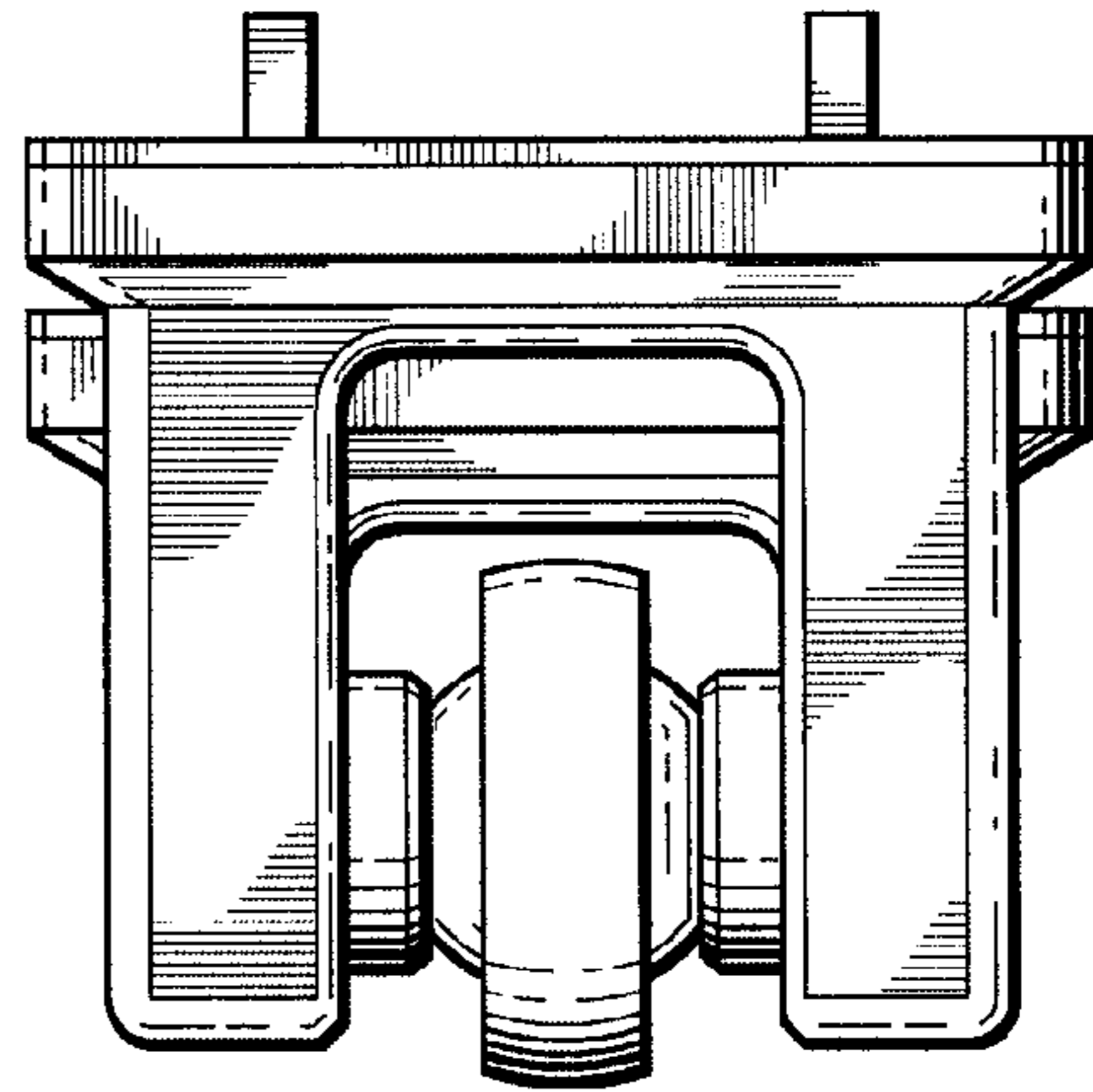


FIG. 4

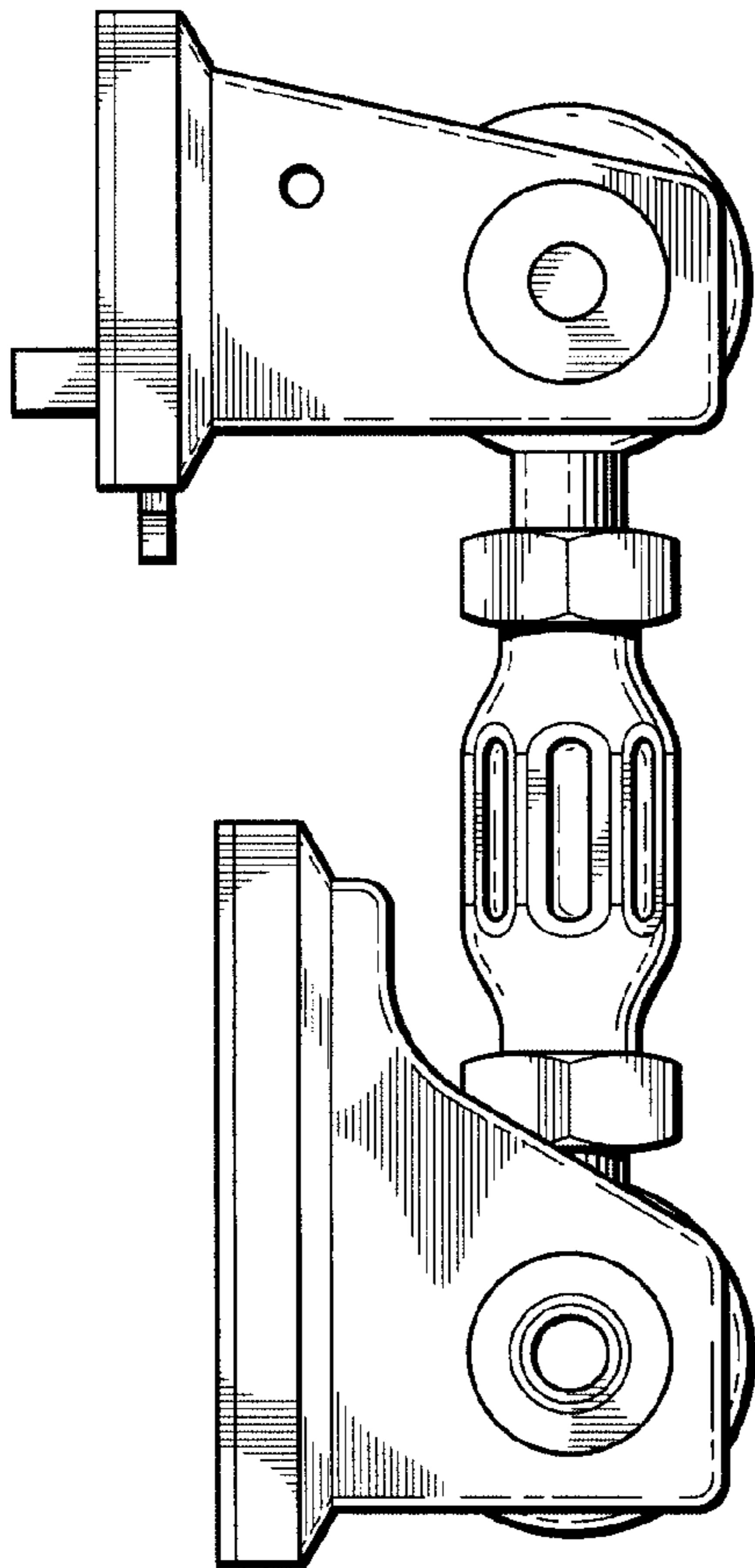


FIG. 3

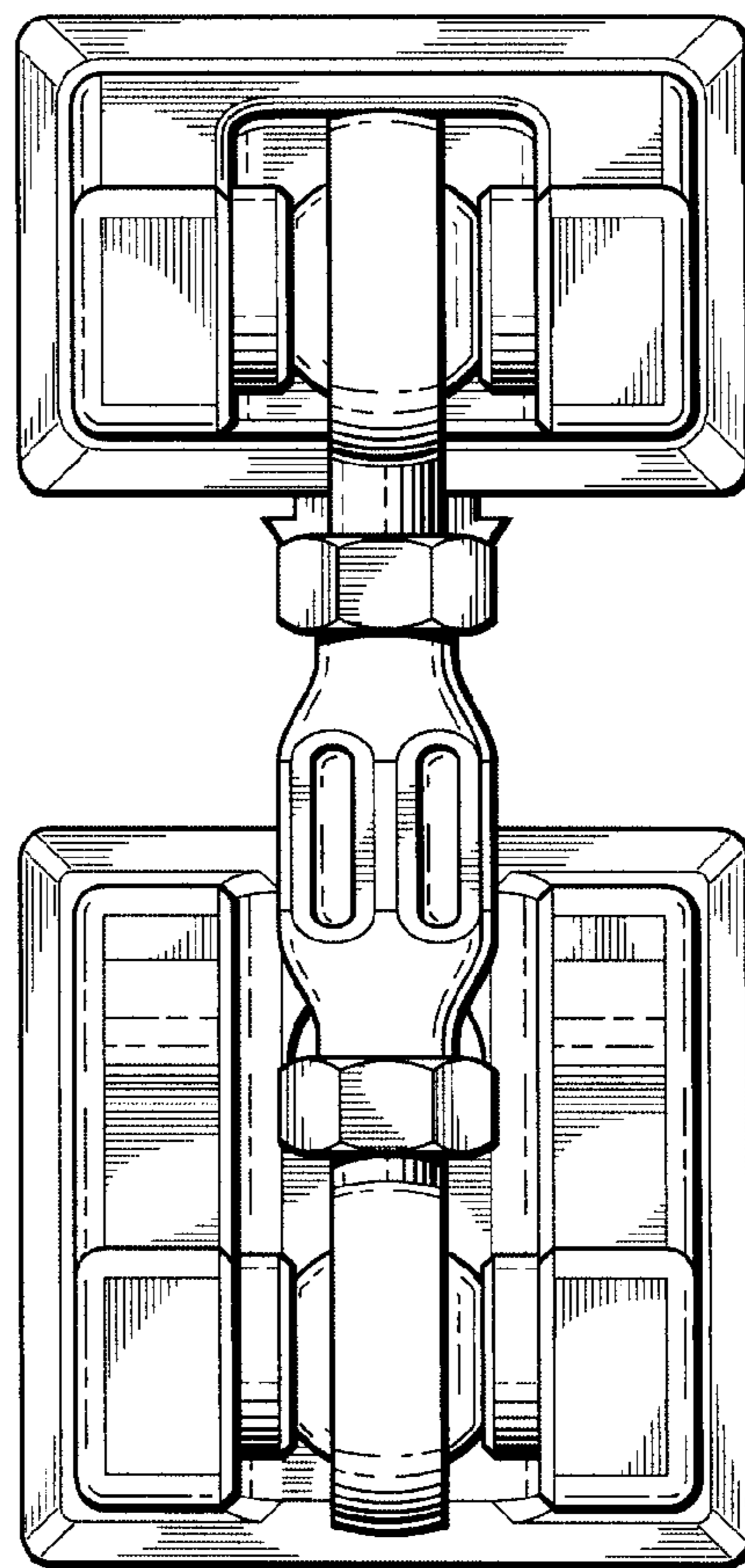


FIG. 2

FIG. 5

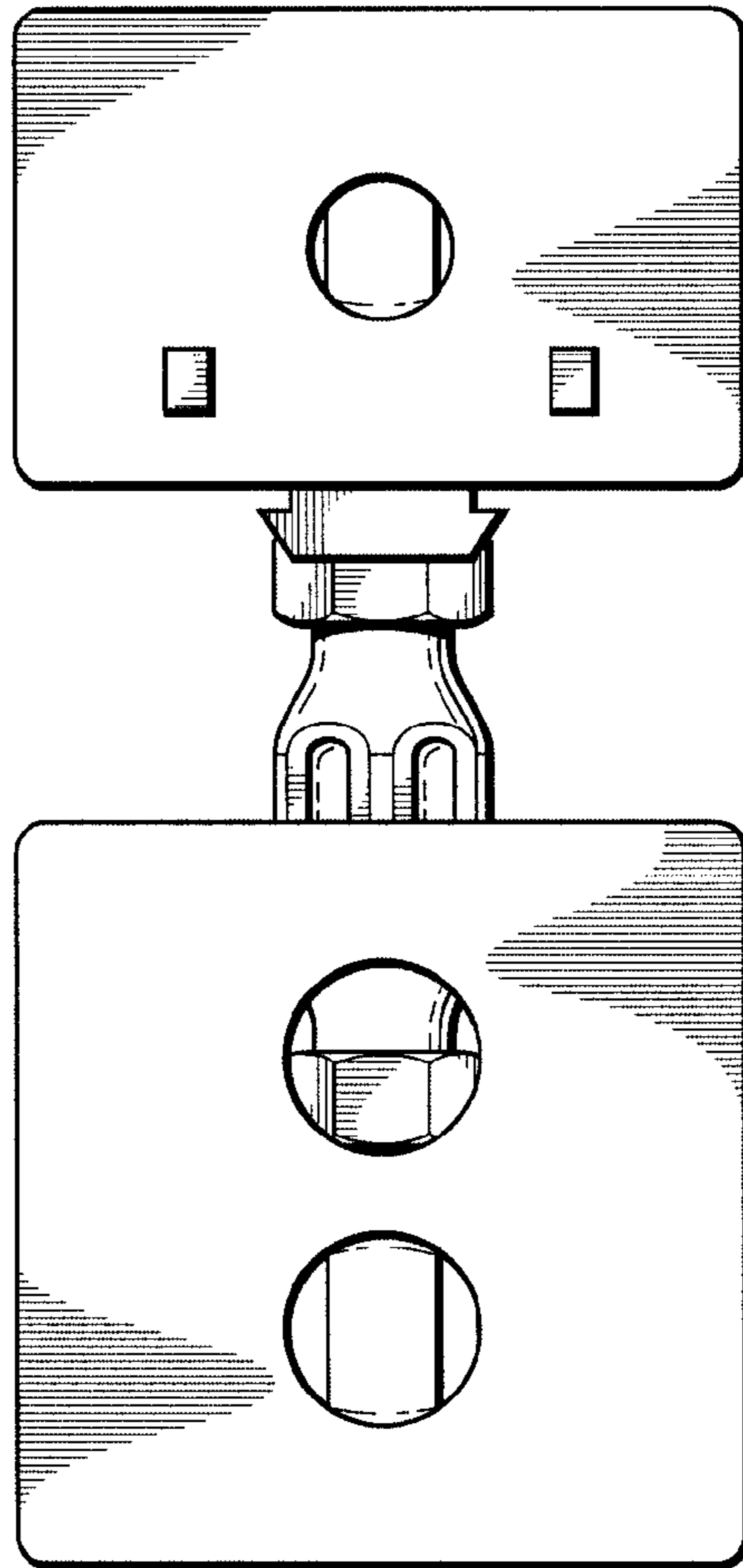


FIG. 6

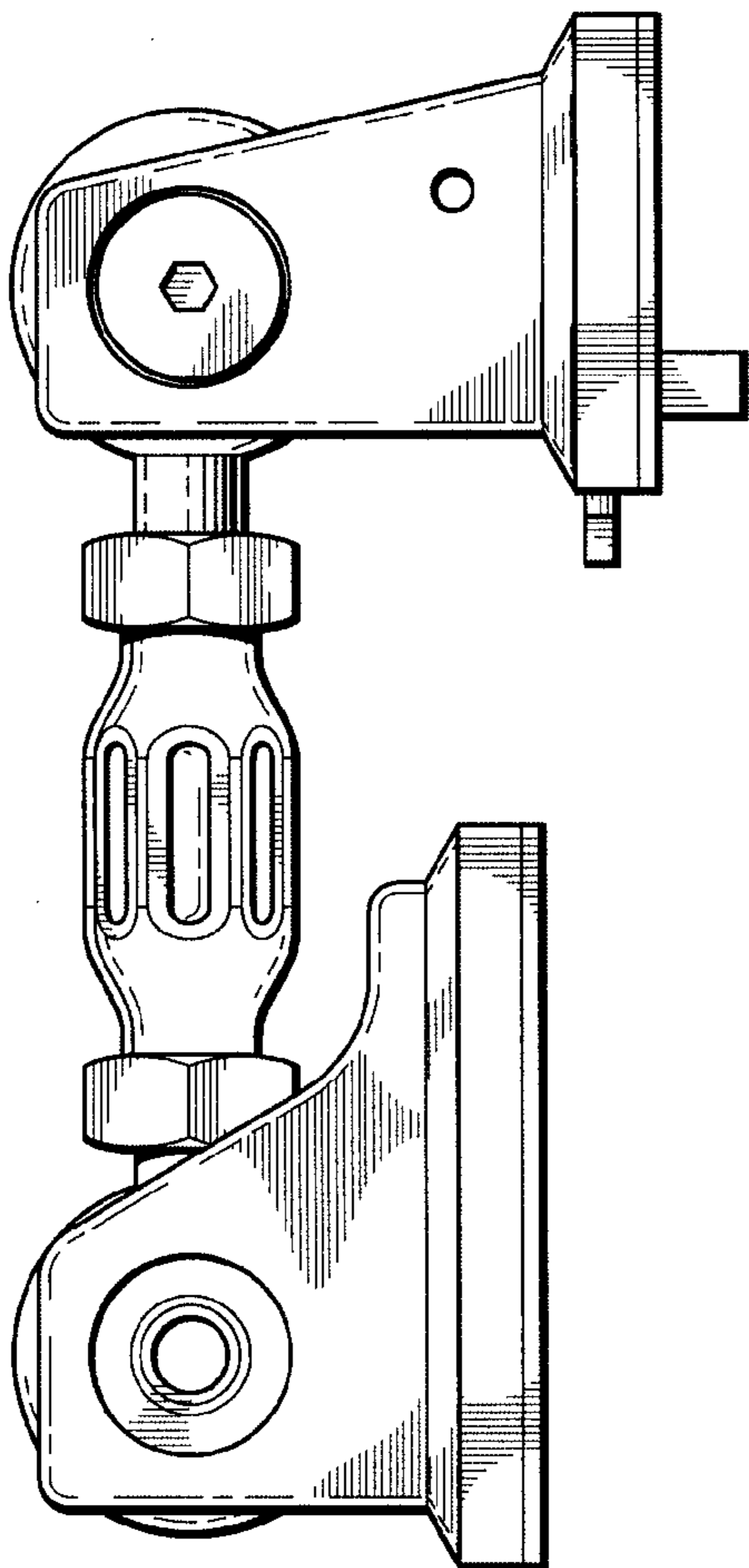


FIG. 7

