



US00D630570S

(12) **United States Design Patent**
Greenthal

(10) **Patent No.:** **US D630,570 S**
(45) **Date of Patent:** **** Jan. 11, 2011**

(54) **FLUID RESERVOIR SUPPORT BRACKET**

(74) *Attorney, Agent, or Firm*—I. Michael Bak-Boychuk

(76) **Inventor:** **Steven M. Greenthal**, 6812 Whitman Dr., Buena Park, CA (US) 90620

(57) **CLAIM**

(**) **Term:** **14 Years**

I claim the ornamental design for a fluid reservoir support bracket, as shown and described.

(21) **Appl. No.:** **29/316,294**

DESCRIPTION

(22) **Filed:** **Sep. 10, 2009**

(51) **LOC (9) Cl.** **12-06**

FIG. 1 is a perspective view taken from the top and front of a fluid reservoir support bracket showing my new design, the broken line showing a vehicle frame portion illustrative of environmental matter only for the attachment thereof and forming no part of the claimed design;

(52) **U.S. Cl.** **D12/223**

(58) **Field of Classification Search** D12/223;
D8/382, 359, 354; 248/200, 300, 317
See application file for complete search history.

FIG. 2 is a further perspective view taken from the top and front of the fluid reservoir support bracket shown in FIG. 1 and illustrating my new design in its separate form;

(56) **References Cited**

U.S. PATENT DOCUMENTS

- D318,785 S * 8/1991 Dean D8/373
- D340,019 S * 10/1993 Yoder D12/223
- 6,257,533 B1 * 7/2001 Pei et al. 248/200
- D462,045 S * 8/2002 Rue D12/223
- D467,858 S * 12/2002 Misch D12/223
- 2003/0160141 A1 * 8/2003 Yamanashi 248/300

FIG. 3 is a right side elevational view of the fluid reservoir support bracket, the left side elevational view being the mirror image thereof;

FIG. 4 is a top view of the fluid reservoir support bracket;

FIG. 5 is a bottom view of the fluid reservoir support bracket;

FIG. 6 is a front view of the fluid reservoir support bracket; and,

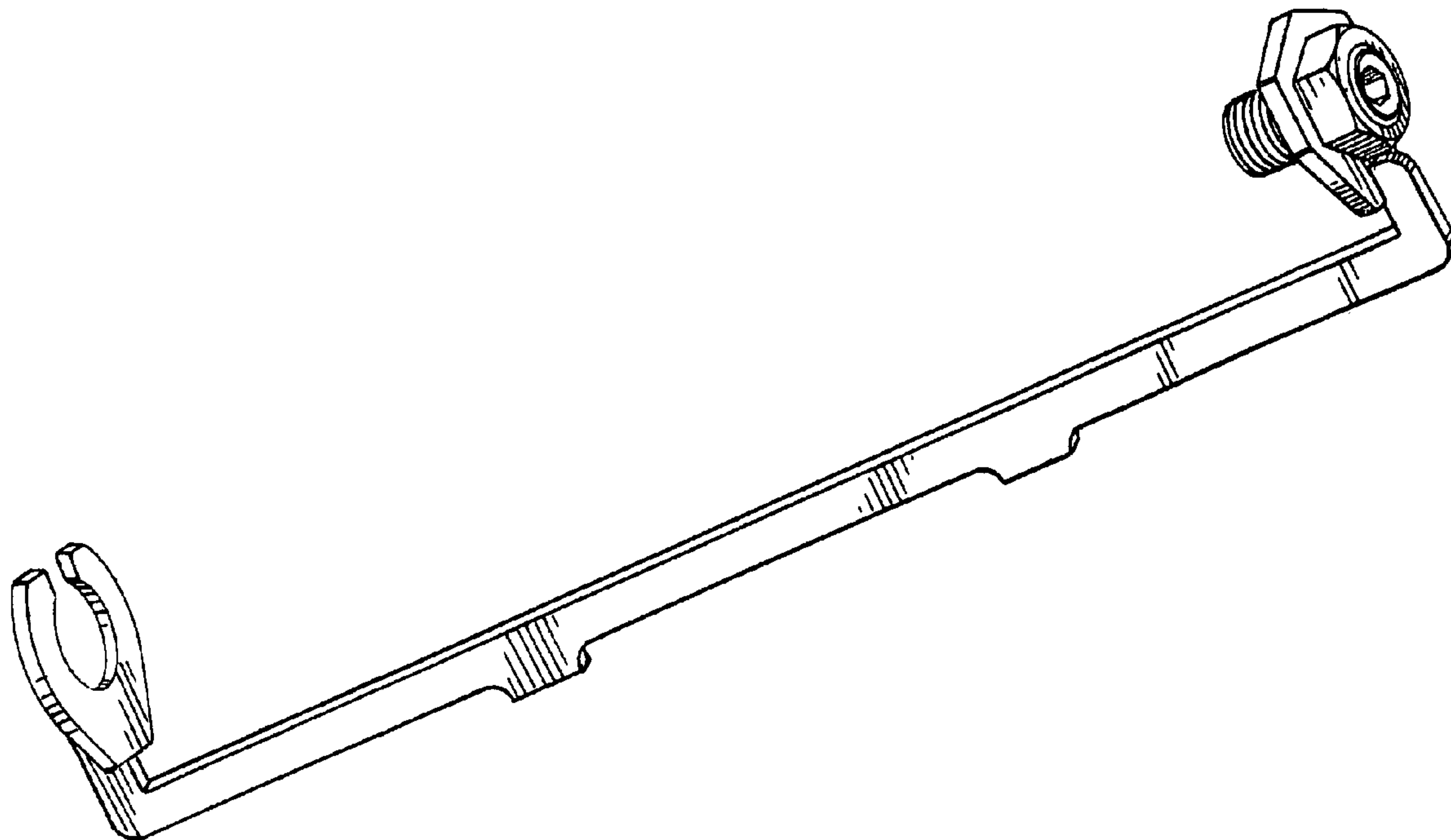
FIG. 7 is a rear view of the fluid reservoir support bracket.

* cited by examiner

Primary Examiner—Holly H Baynham

Assistant Examiner—Sheryl Lane

1 Claim, 2 Drawing Sheets



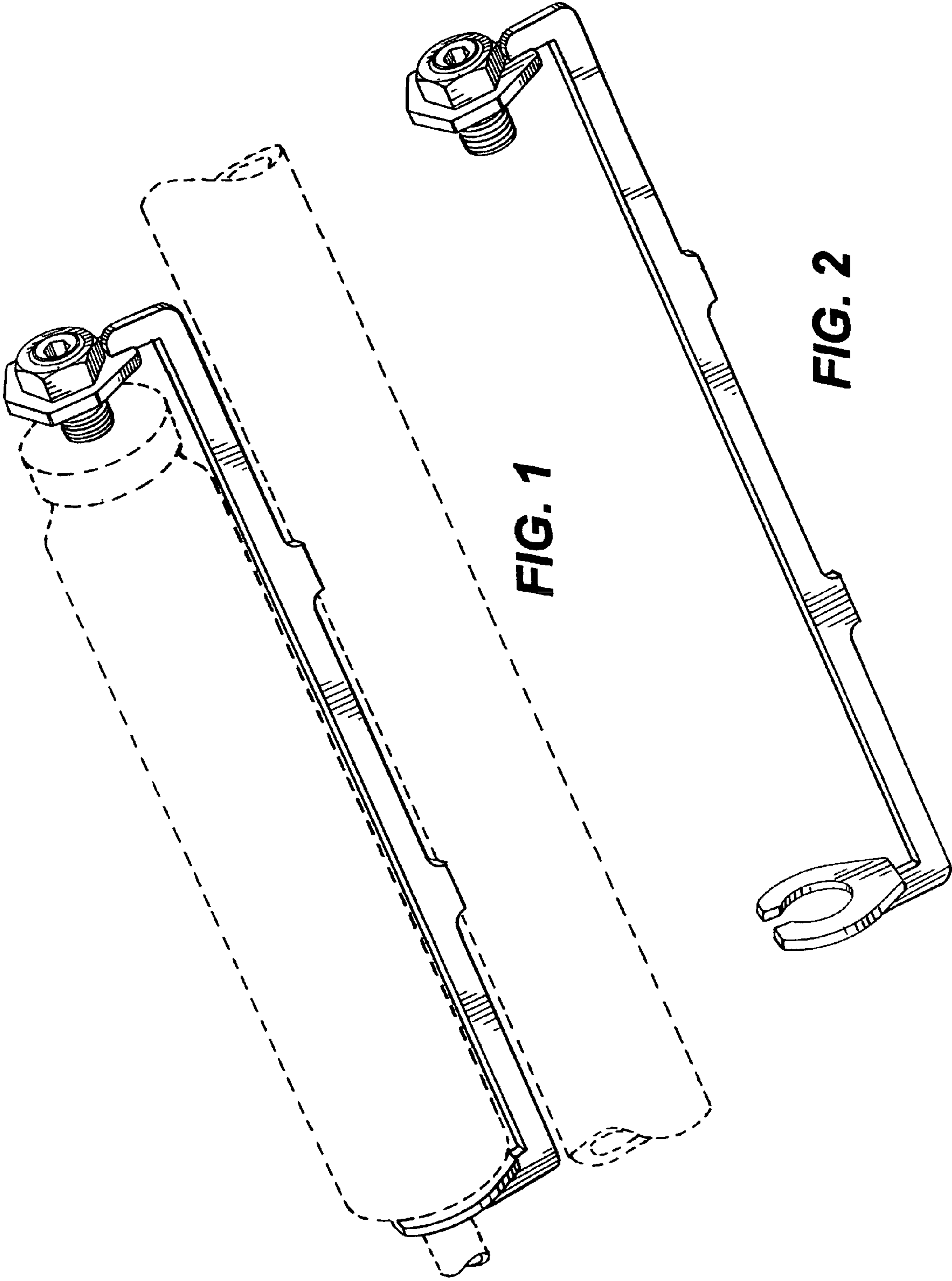


FIG. 1

FIG. 2

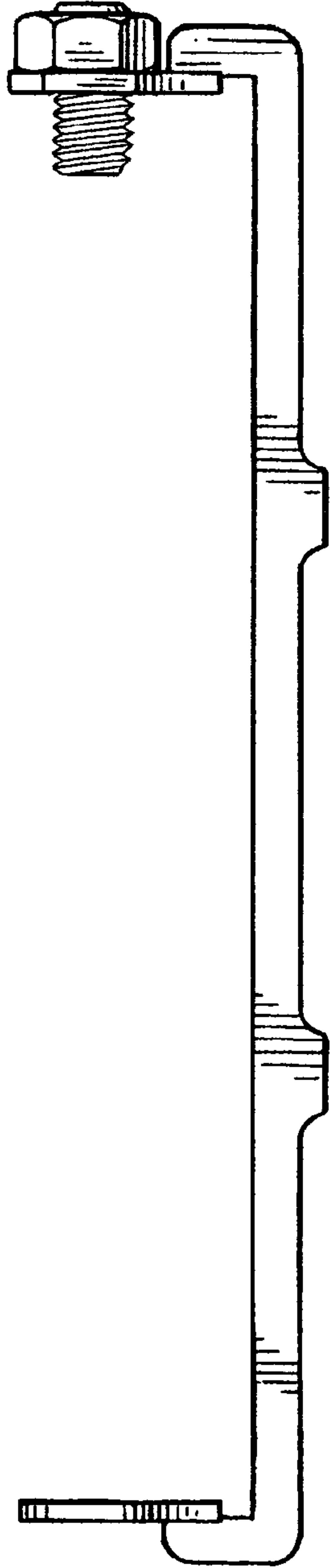


FIG. 3

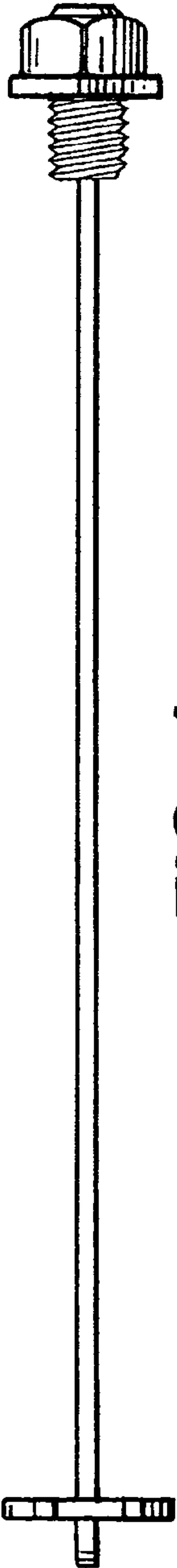


FIG. 4

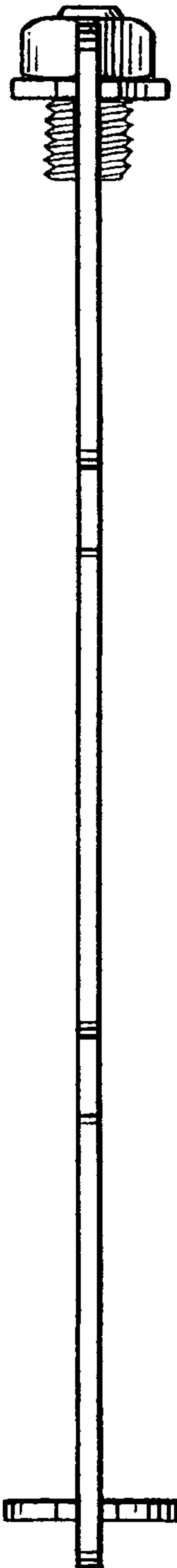


FIG. 5

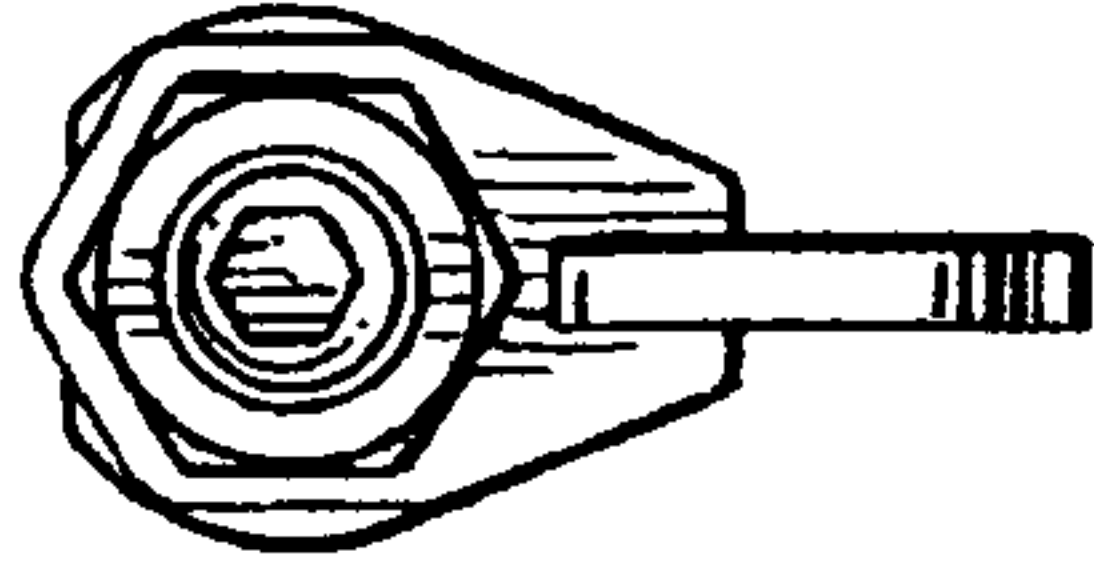


FIG. 6

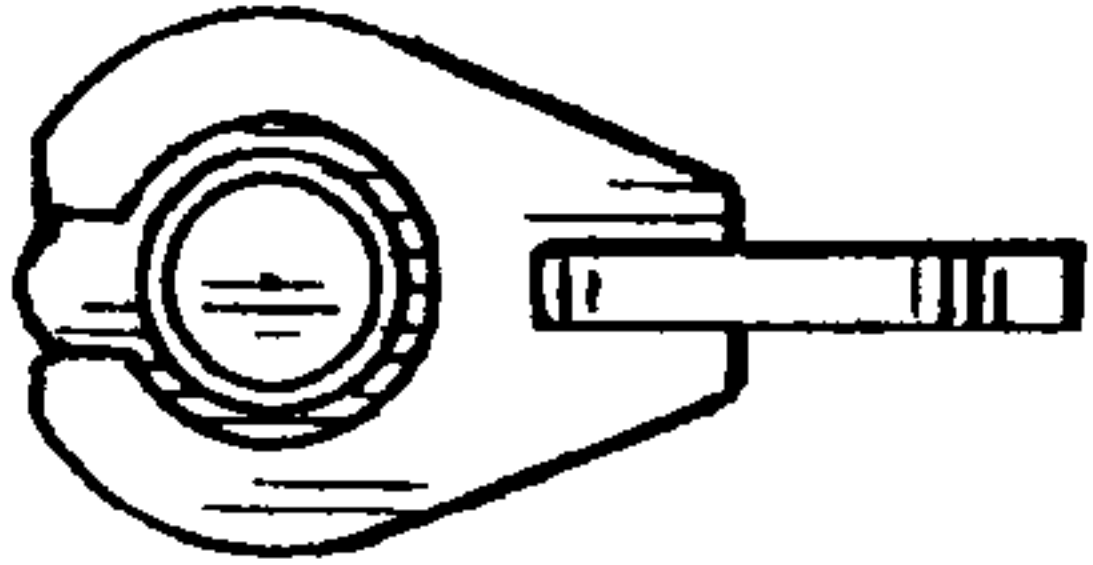


FIG. 7