



US00D630569S

(12) **United States Design Patent**
Melia

(10) **Patent No.:** **US D630,569 S**

(45) **Date of Patent:** **** Jan. 11, 2011**

(54) **SIDE PANEL FOR A ROLL CAGE**

(76) Inventor: **Mike J. Melia**, 143 Foxfold, Fosters
Green, Skelmersdale, Lancashire WN8
6UE (GB)

(**) Term: **14 Years**

(21) Appl. No.: **29/345,663**

(22) Filed: **Oct. 20, 2009**

(30) **Foreign Application Priority Data**

Apr. 21, 2009 (EM) 001125033-0001
Apr. 21, 2009 (EM) 001125033-0002

(51) **LOC (9) Cl.** **12-06**

(52) **U.S. Cl.** **D12/222**

(58) **Field of Classification Search** D12/400,
D12/401, 404, 406, 412, 414, 222, 223, 86,
D12/93, 101; 224/923, 924; 211/100, 124,
211/2, 4, 85.7; D6/552

See application file for complete search history.

(56) **References Cited**

U.S. PATENT DOCUMENTS

2,985,251 A * 5/1961 Tellier 180/24
D212,853 S * 12/1968 Allen D6/552
4,040,542 A * 8/1977 Gibb 221/162

4,486,046 A * 12/1984 Whitney et al. 296/180.4
5,211,413 A * 5/1993 Williams et al. 280/149.2
D412,880 S * 8/1999 Sadr D12/400
D470,702 S * 2/2003 Kelly D6/552
D530,260 S * 10/2006 Ma et al. D12/401

* cited by examiner

Primary Examiner—Caron Veynar

Assistant Examiner—Katrina A Kile

(74) *Attorney, Agent, or Firm*—Schwegman, Lundberg &
Woessner, P.A.

(57) **CLAIM**

The ornamental design for a side panel for a roll cage, as
shown and described.

DESCRIPTION

FIG. 1 is a front view of the side panel for a roll cage accord-
ing to my design;

FIG. 2 is a front perspective view thereof;

FIG. 3 is a rear view thereof;

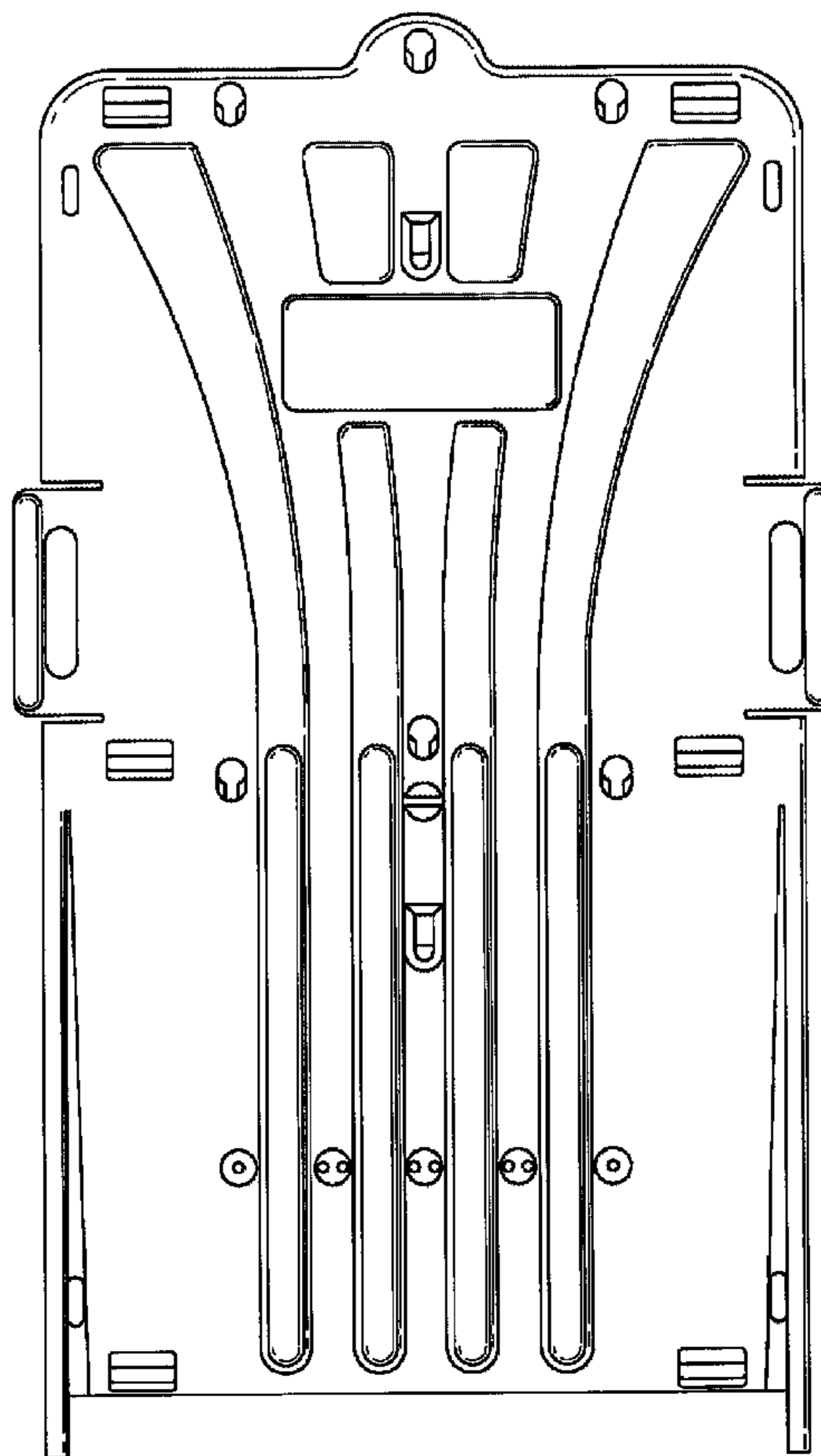
FIG. 4 is a rear perspective view thereof;

FIG. 5 is a top view thereof;

FIG. 6 is a bottom view thereof; and,

FIG. 7 is a side view thereof.

1 Claim, 7 Drawing Sheets



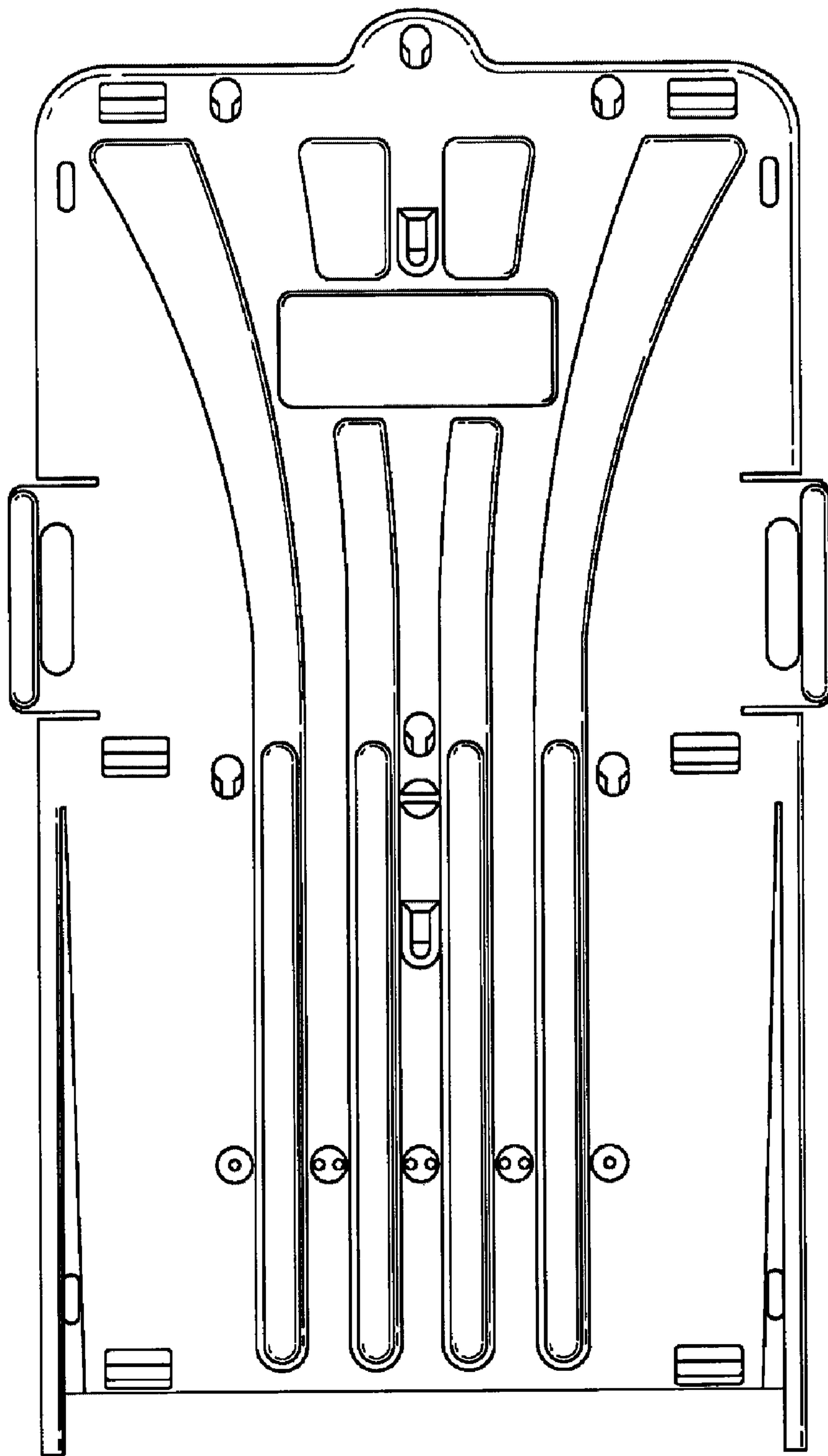


FIG. 1

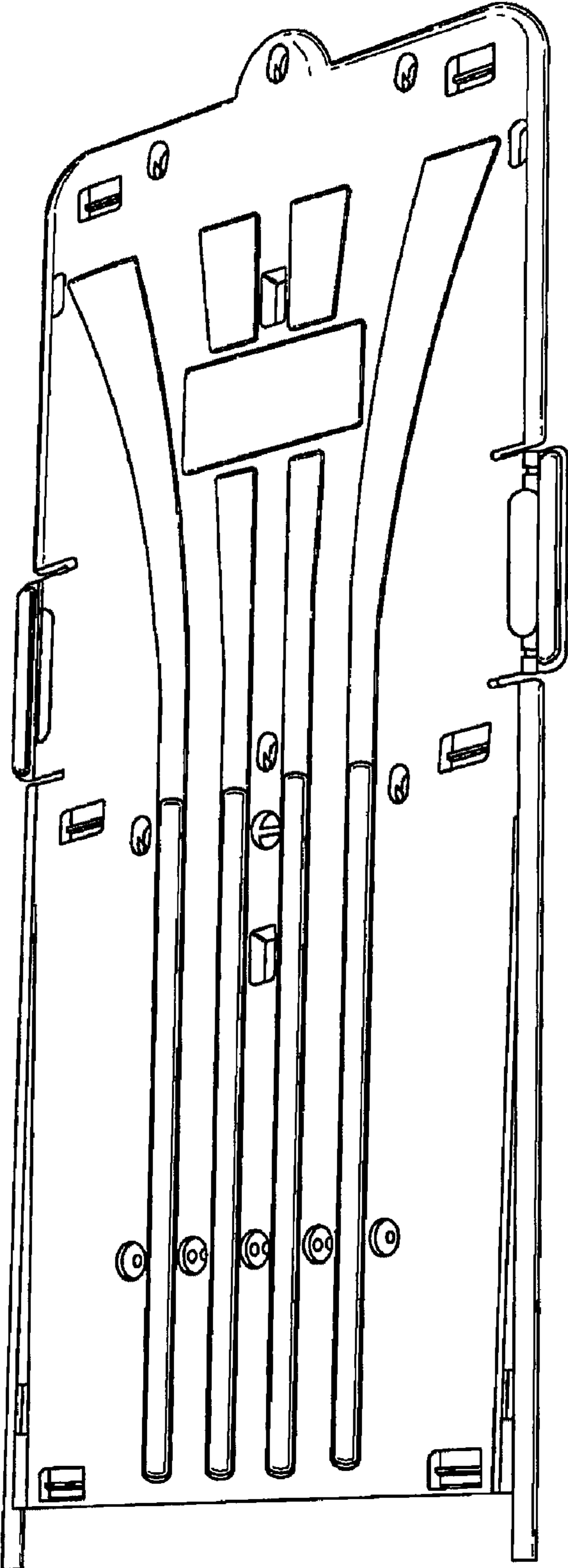


FIG. 2

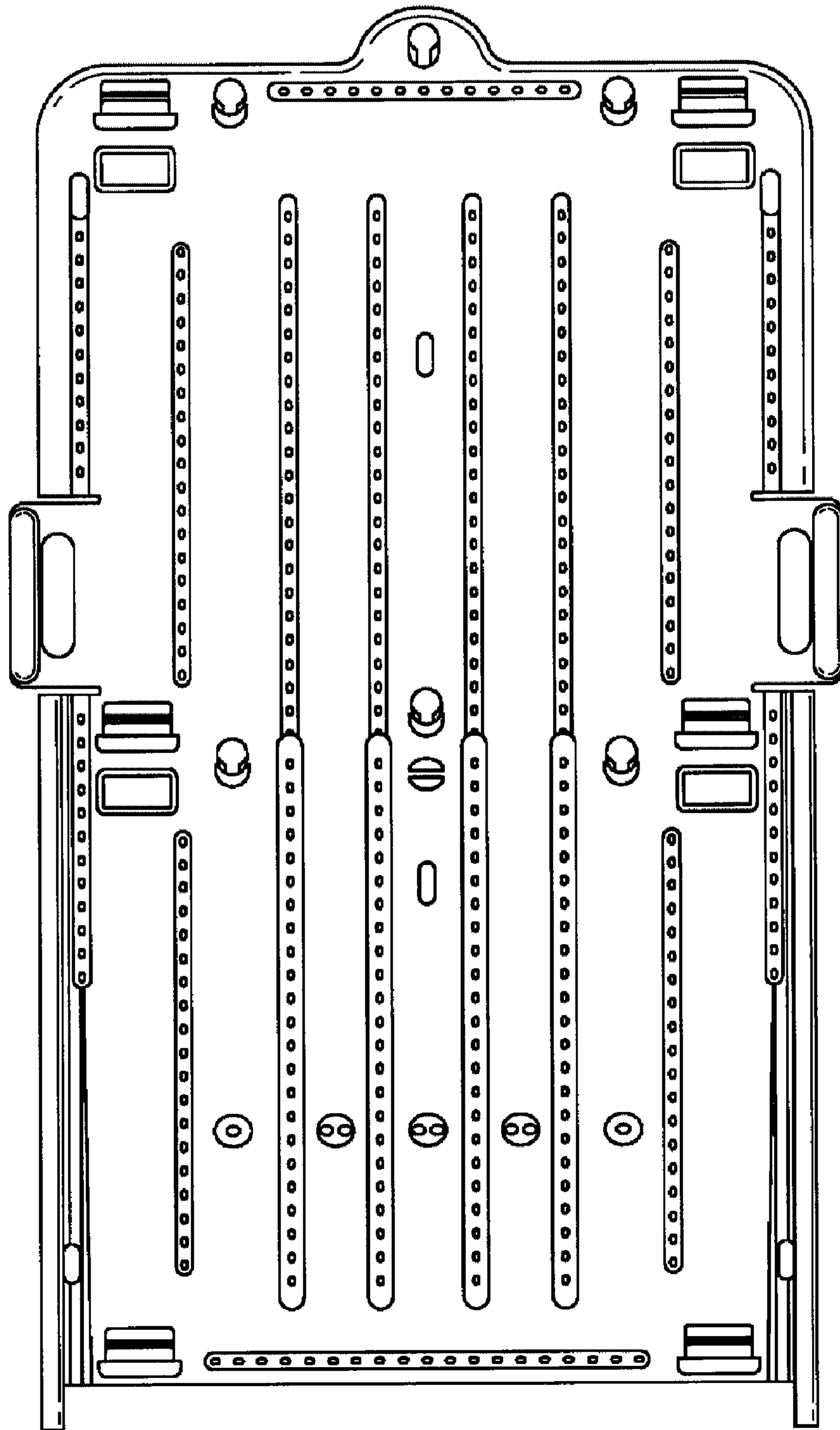


FIG. 3

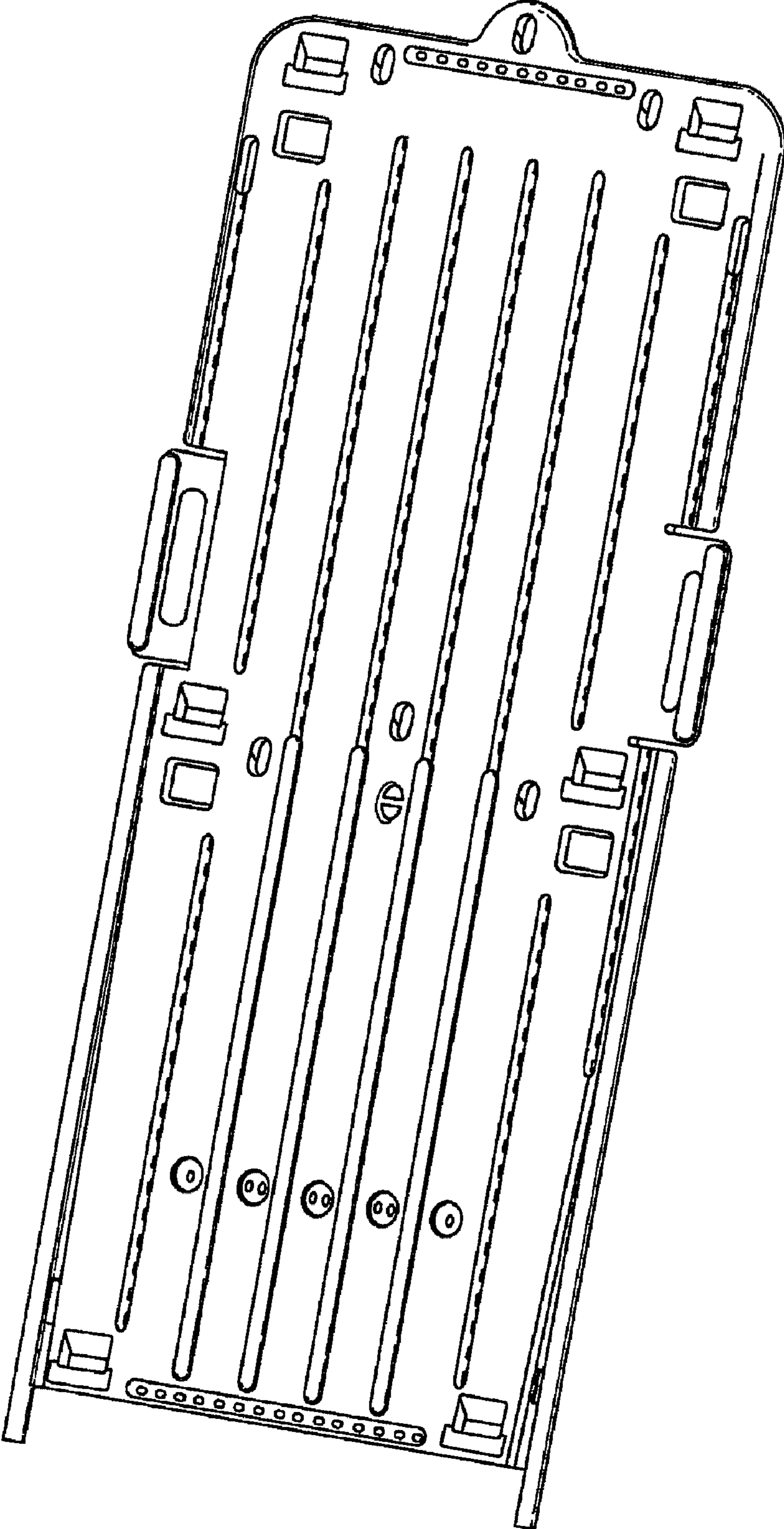


FIG. 4



FIG. 5



FIG. 6



FIG. 7