



US00D630568S

(12) **United States Design Patent**  
**Melia**

(10) **Patent No.:** **US D630,568 S**  
(45) **Date of Patent:** **\*\* Jan. 11, 2011**

(54) **TRAY PANEL FOR A ROLL CAGE**  
(76) Inventor: **Mike J. Melia**, 143 Foxfold Fosters  
GReen, Skelmersdale, Lancashire WN8  
6UE (GB)

2,349,470 A \* 5/1944 Stanfield ..... 49/62  
D361,545 S \* 8/1995 Wilhelm ..... D12/190  
5,507,547 A \* 4/1996 Hattass et al. .... 296/211  
D371,711 S \* 7/1996 Clark ..... D6/575  
5,608,990 A \* 3/1997 Kyle ..... 49/38  
D406,356 S \* 3/1999 Reeder ..... D25/53  
D426,510 S \* 6/2000 Erskine et al. .... D12/400

(\*\*) Term: **14 Years**

\* cited by examiner

(21) Appl. No.: **29/345,660**

*Primary Examiner*—Caron Veynar  
*Assistant Examiner*—Katrina A Kile

(22) Filed: **Oct. 20, 2009**

(74) *Attorney, Agent, or Firm*—Schwegman, Lundberg &  
Woessner, P.A.

(30) **Foreign Application Priority Data**

Apr. 21, 2009 (EM) ..... 001125033-0001  
Apr. 21, 2009 (EM) ..... 001125033-0002

(57) **CLAIM**

(51) **LOC (9) Cl.** ..... **12-06**  
(52) **U.S. Cl.** ..... **D12/222**  
(58) **Field of Classification Search** ..... D12/400,  
D12/401, 404, 406, 412, 414, 222, 223, 86,  
D12/93, 101; 224/923, 924; 211/100, 124,  
211/2, 4, 85.7; D6/552

The ornamental design for a tray panel for a roll cage, as  
shown and described.

See application file for complete search history.

**DESCRIPTION**

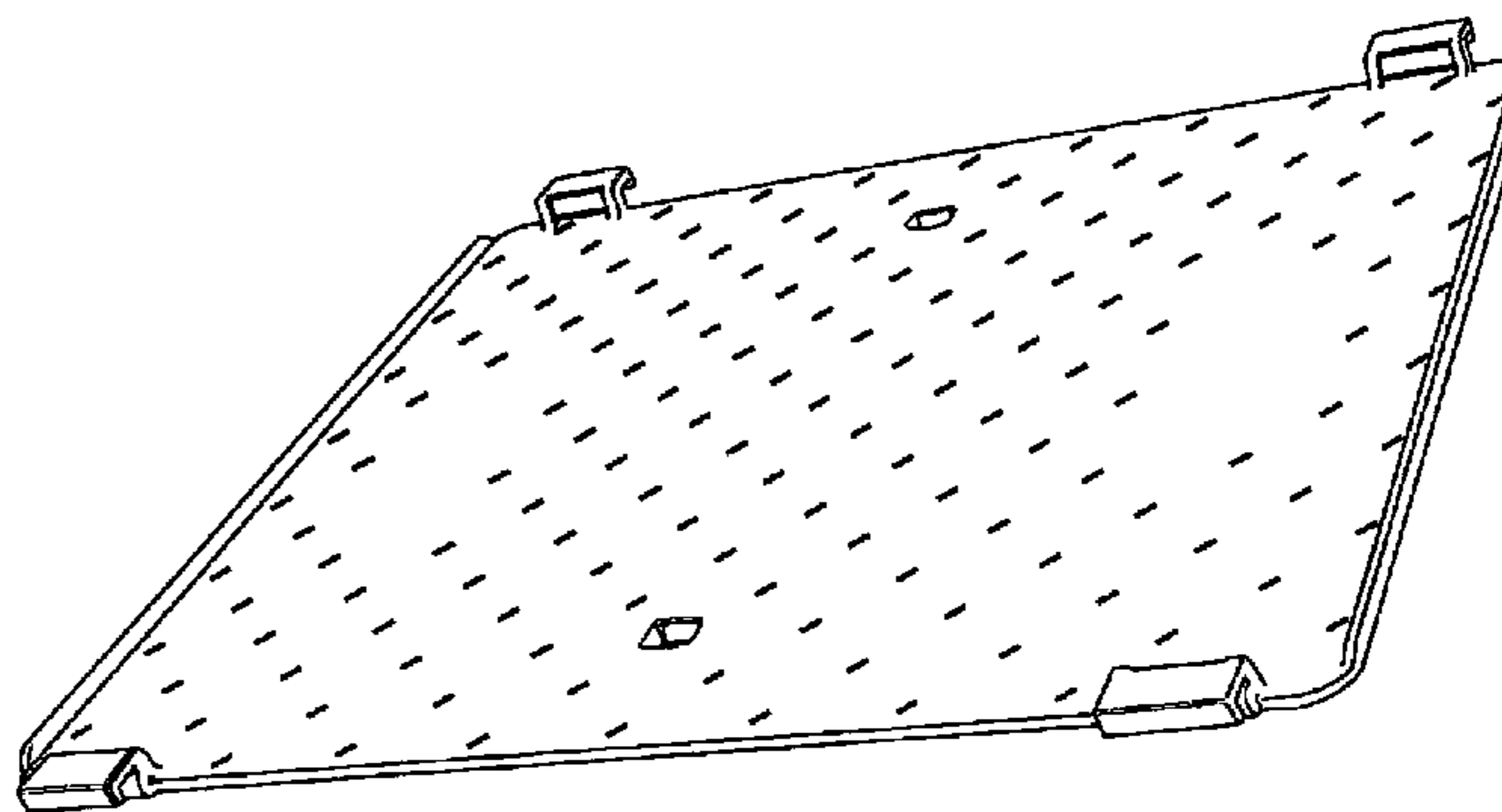
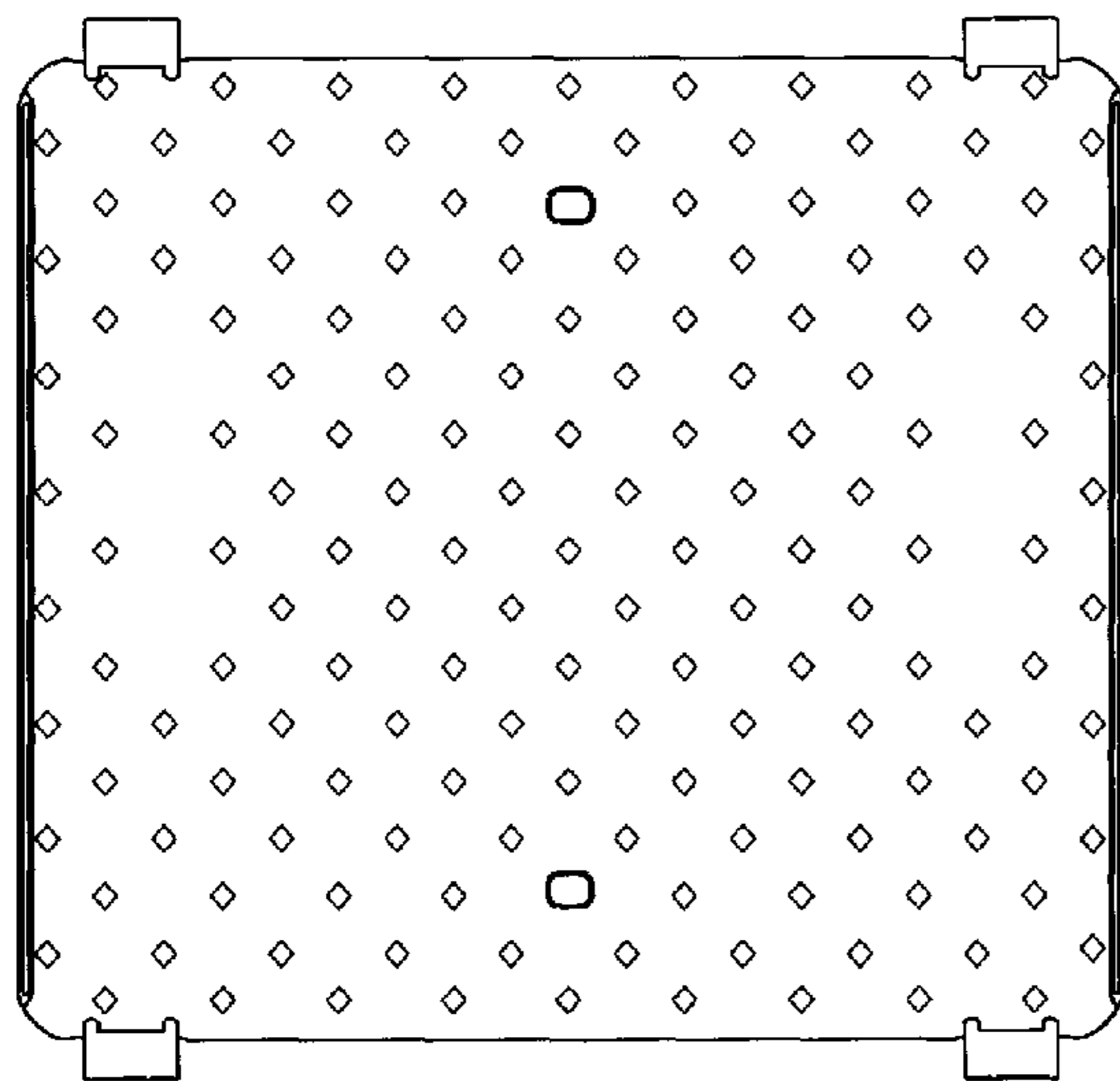
(56) **References Cited**

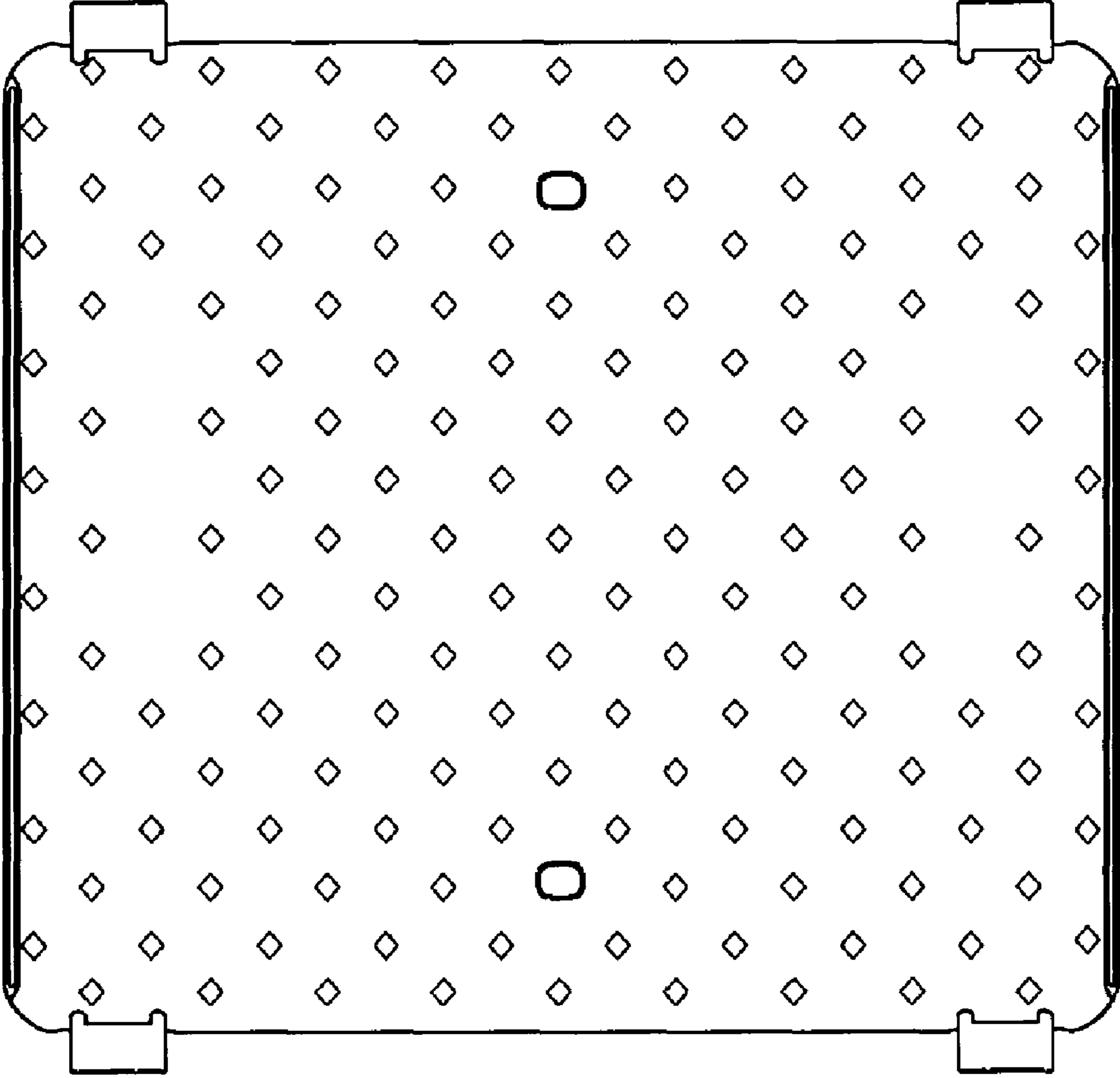
FIG. 1 is a top plan view of the tray panel for a roll cage  
according to my design;  
FIG. 2 is a top perspective view thereof;  
FIG. 3 is a bottom plan view thereof; and,  
FIG. 4 is a bottom perspective view thereof.

**U.S. PATENT DOCUMENTS**

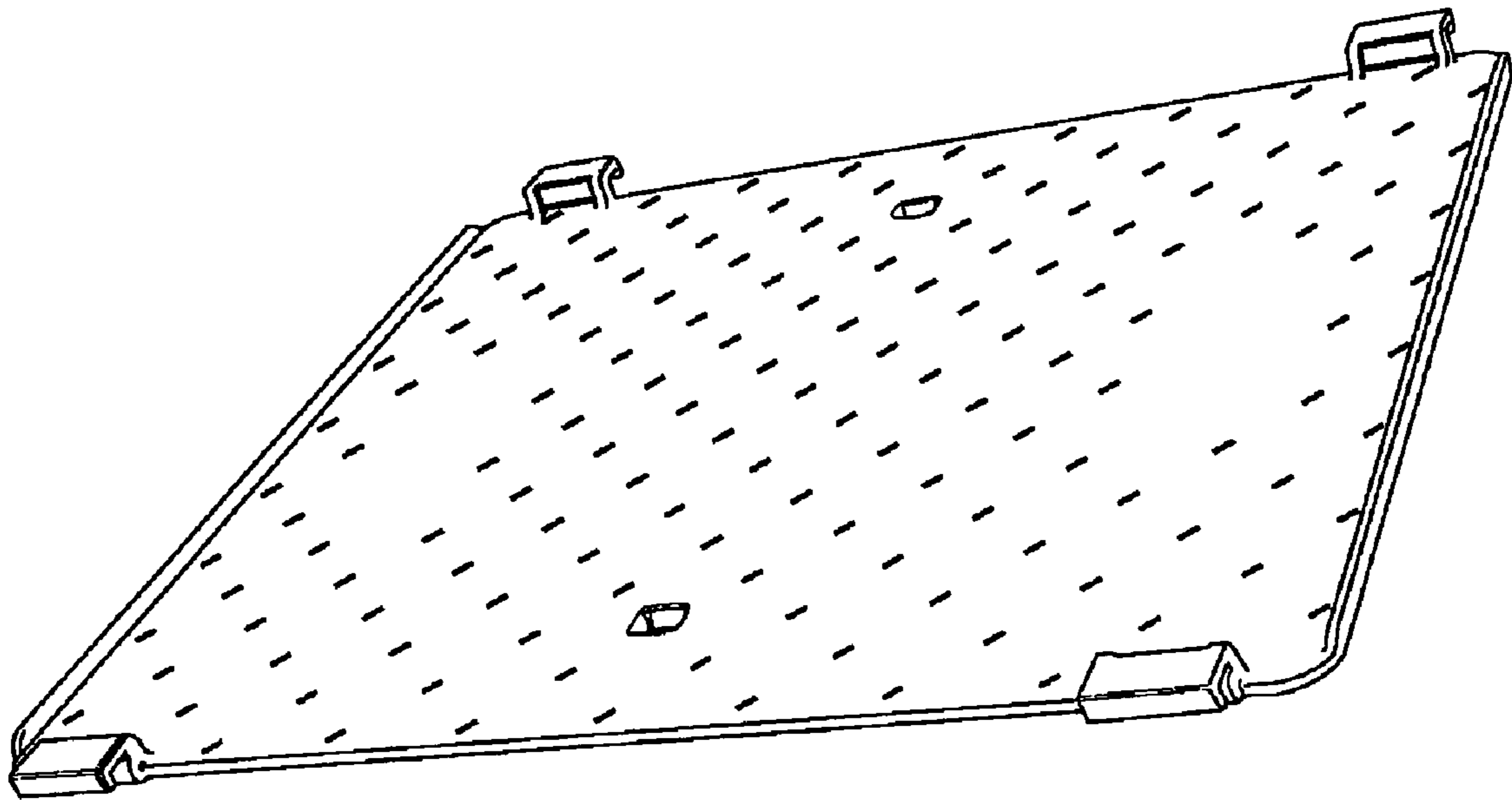
2,311,840 A \* 2/1943 Land ..... 359/501

**1 Claim, 4 Drawing Sheets**

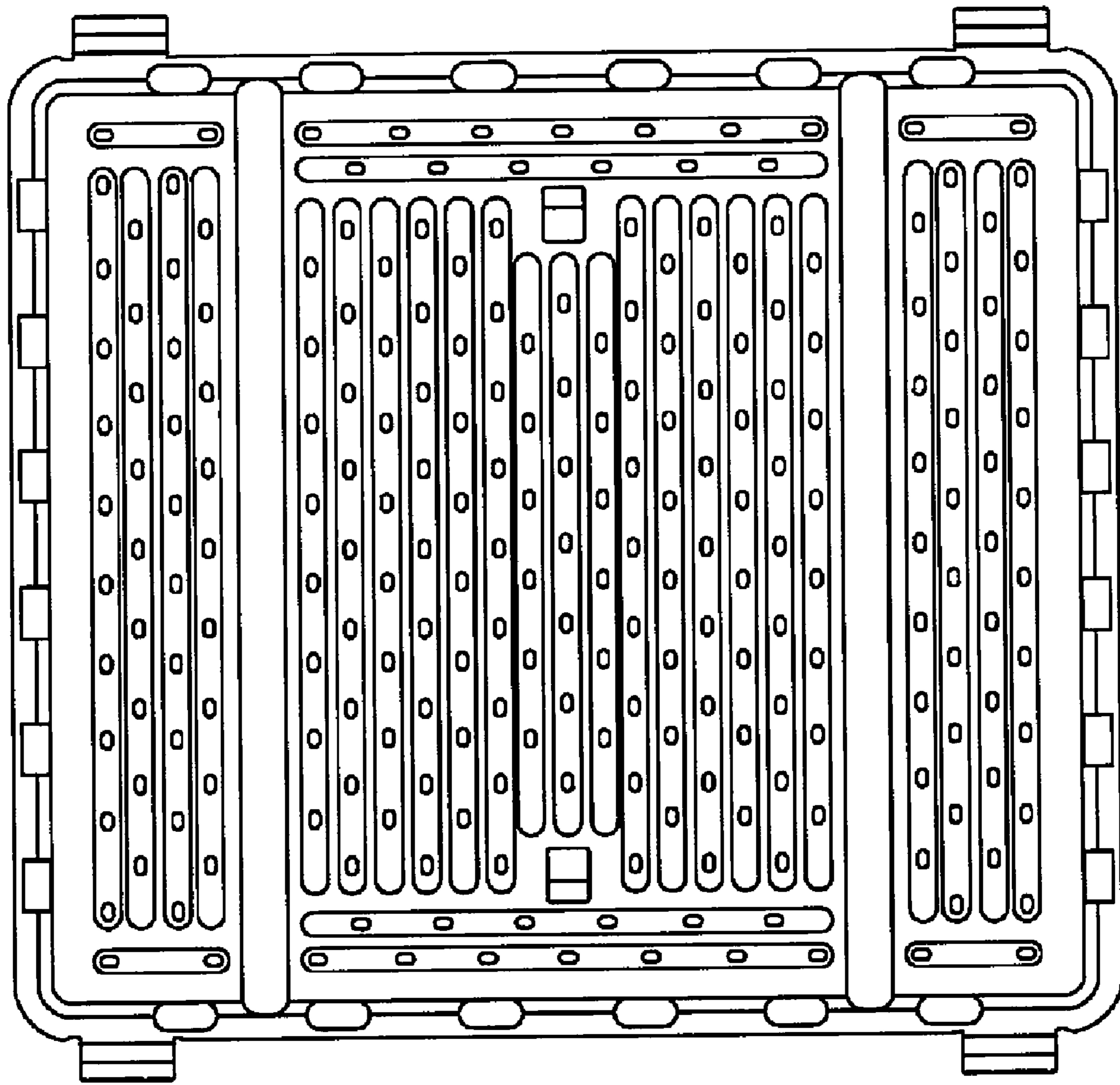




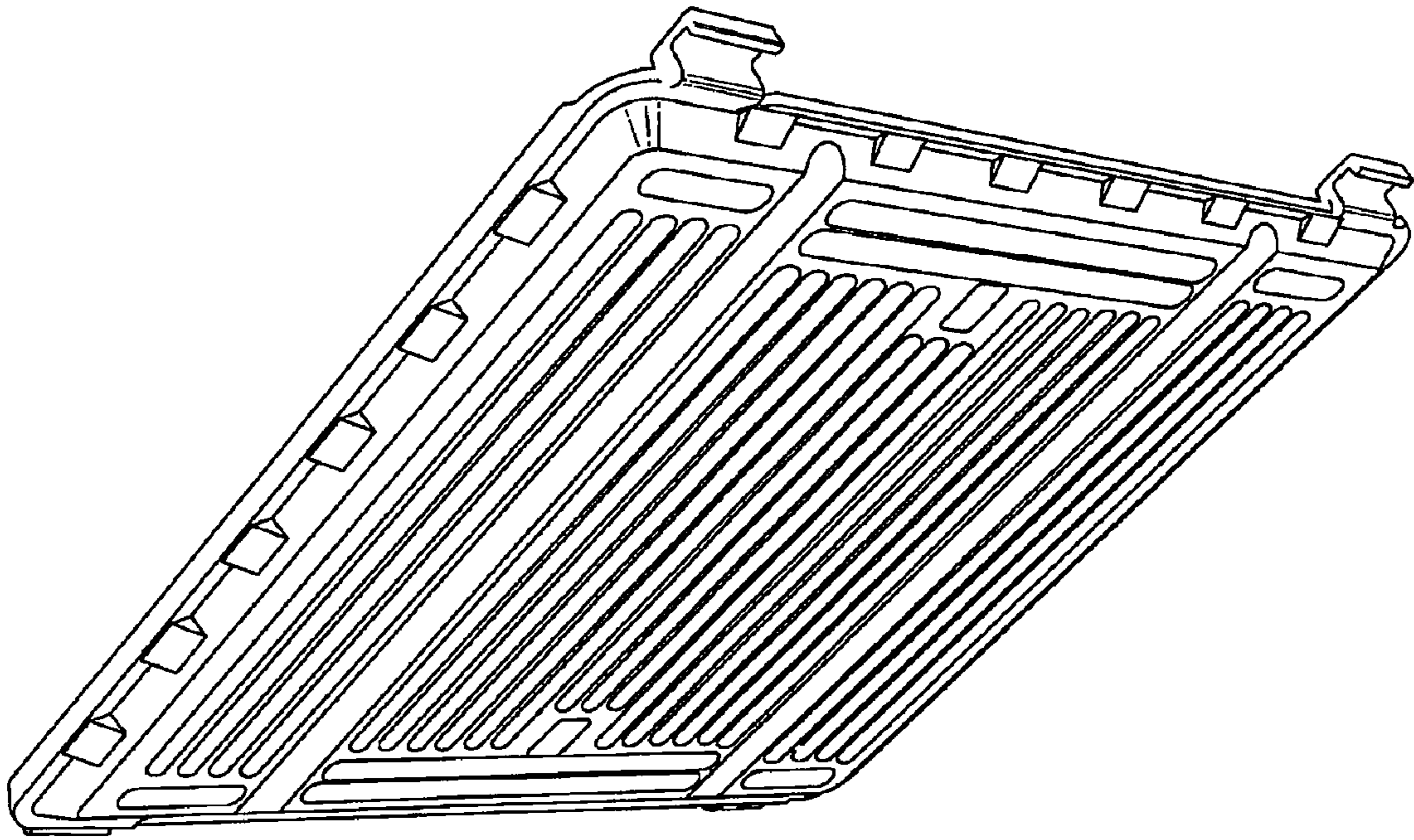
*FIG. 1*



*FIG. 2*



*FIG. 3*



**FIG. 4**