



US00D630566S

(12) **United States Design Patent**
Ebel et al.

(10) **Patent No.:** **US D630,566 S**
(45) **Date of Patent:** **** Jan. 11, 2011**

(54) **WHEEL**

(75) Inventors: **Benjamin E. Ebel**, Greenville, SC (US);
Derick Lonell Harris, Charlotte, NC (US)

(73) Assignees: **Michelin Recherche et Technique**,
Granges-Paccot (CH); **Societe de Technologie Michelin**,
Clermont-Ferrand (FR)

(**) Term: **14 Years**

(21) Appl. No.: **29/368,943**

(22) Filed: **Aug. 31, 2010**

(51) **LOC (9) Cl.** **12-16**

(52) **U.S. Cl.** **D12/209**

(58) **Field of Classification Search** D12/204-213;
301/37.101, 64.101, 65, 64.201
See application file for complete search history.

(56) **References Cited**

U.S. PATENT DOCUMENTS

D311,896 S	*	11/1990	Mori	D12/209
D386,740 S	*	11/1997	Cullen	D12/209
D403,646 S	*	1/1999	Rotundo	D12/209
D486,772 S	*	2/2004	Warming	D12/211

D531,952 S	*	11/2006	Sands	D12/211
D542,206 S	*	5/2007	Evans	D12/209
D576,094 S	*	9/2008	Bernoni	D12/211
7,418,988 B2		9/2008	Cron et al.		
D594,800 S	*	6/2009	Blasi	D12/209
D596,550 S	*	7/2009	Marquette et al.	D12/211
D616,799 S	*	6/2010	Zhao	D12/209
D617,249 S	*	6/2010	Juergens et al.	D12/211
2009/0294000 A1		12/2009	Cron		
2010/0193097 A1		8/2010	McNier et al.		

* cited by examiner

Primary Examiner—Stacia Cadmus

(74) *Attorney, Agent, or Firm*—Dority & Manning, P.A.

(57) **CLAIM**

The ornamental design for a wheel, as shown and described.

DESCRIPTION

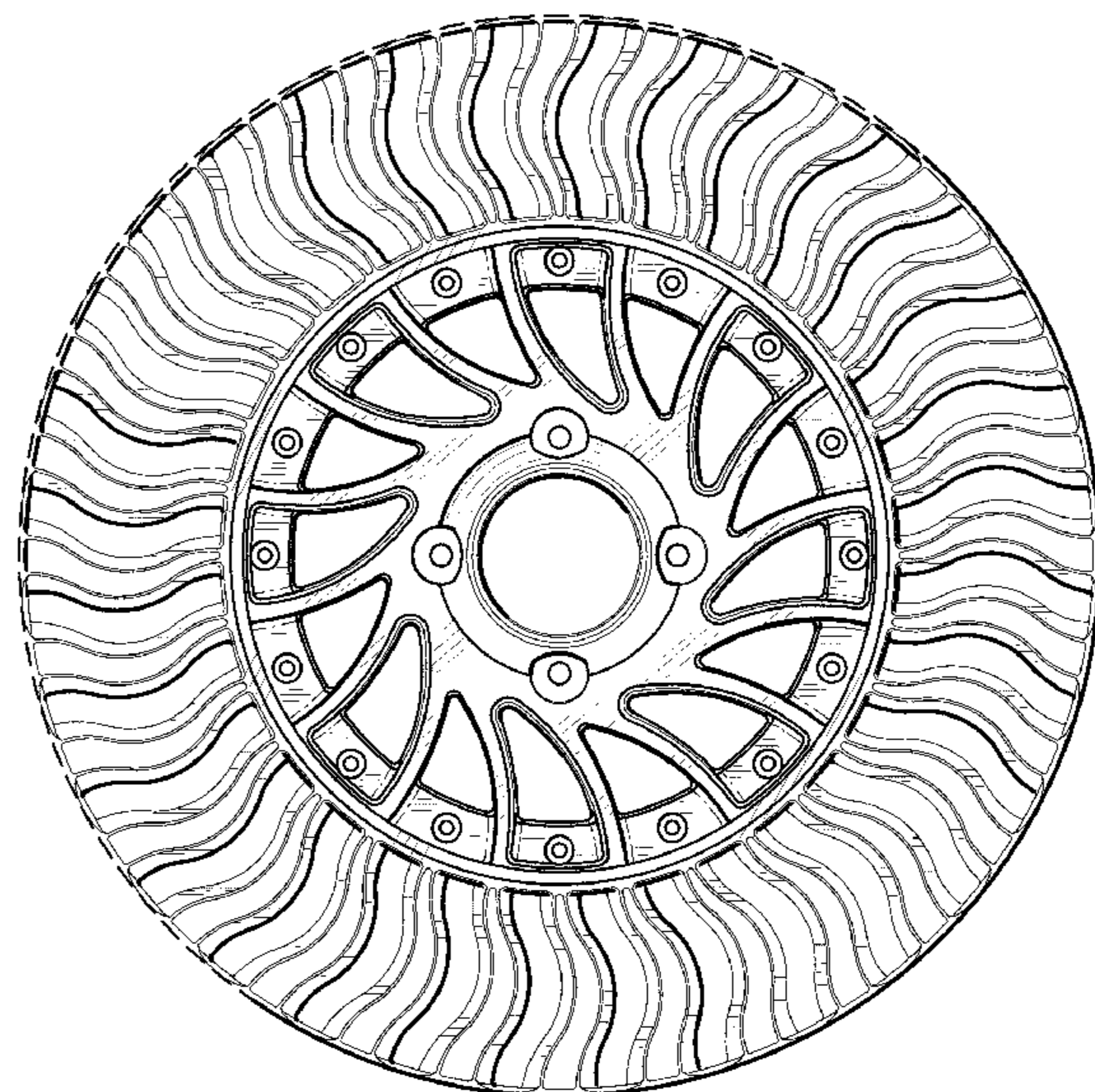
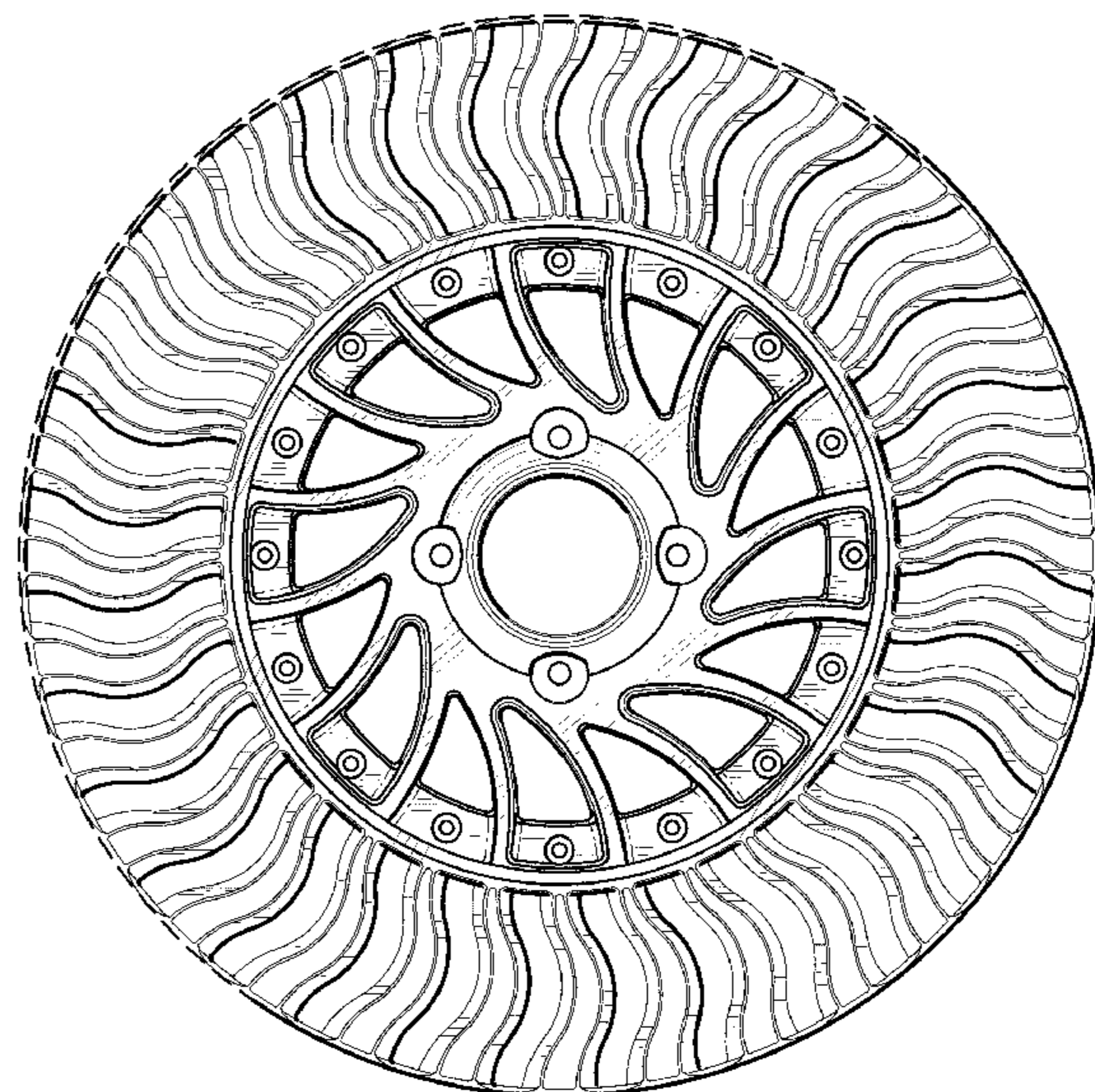
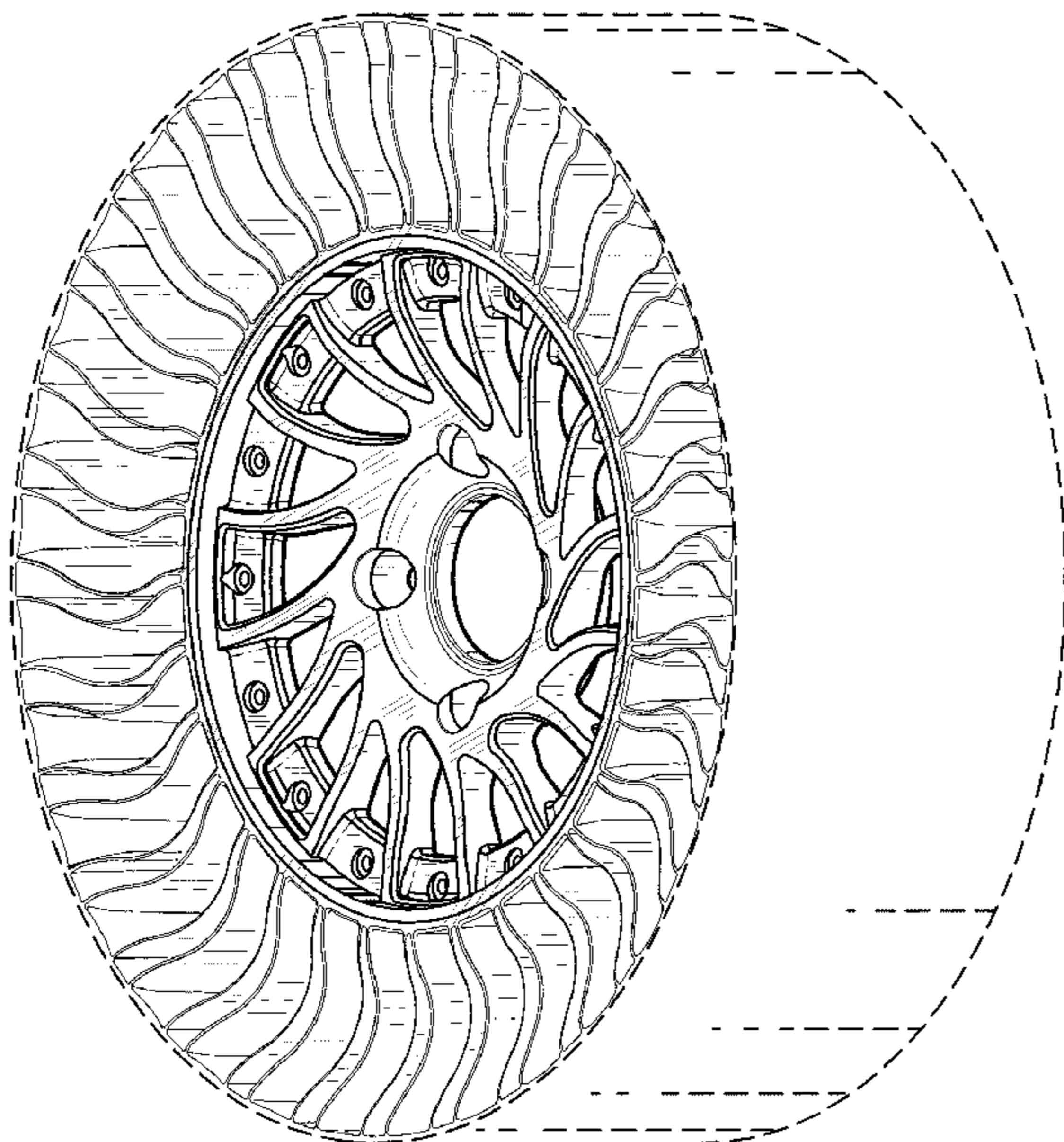
FIG. 1 is a perspective view of a wheel showing our new design;

FIG. 2 is a side elevation view thereof; and,

FIG. 3 is a front elevation view thereof.

In the drawings, the broken line disclosure depicts environmental structure and forms no part of the claim design.

1 Claim, 3 Drawing Sheets



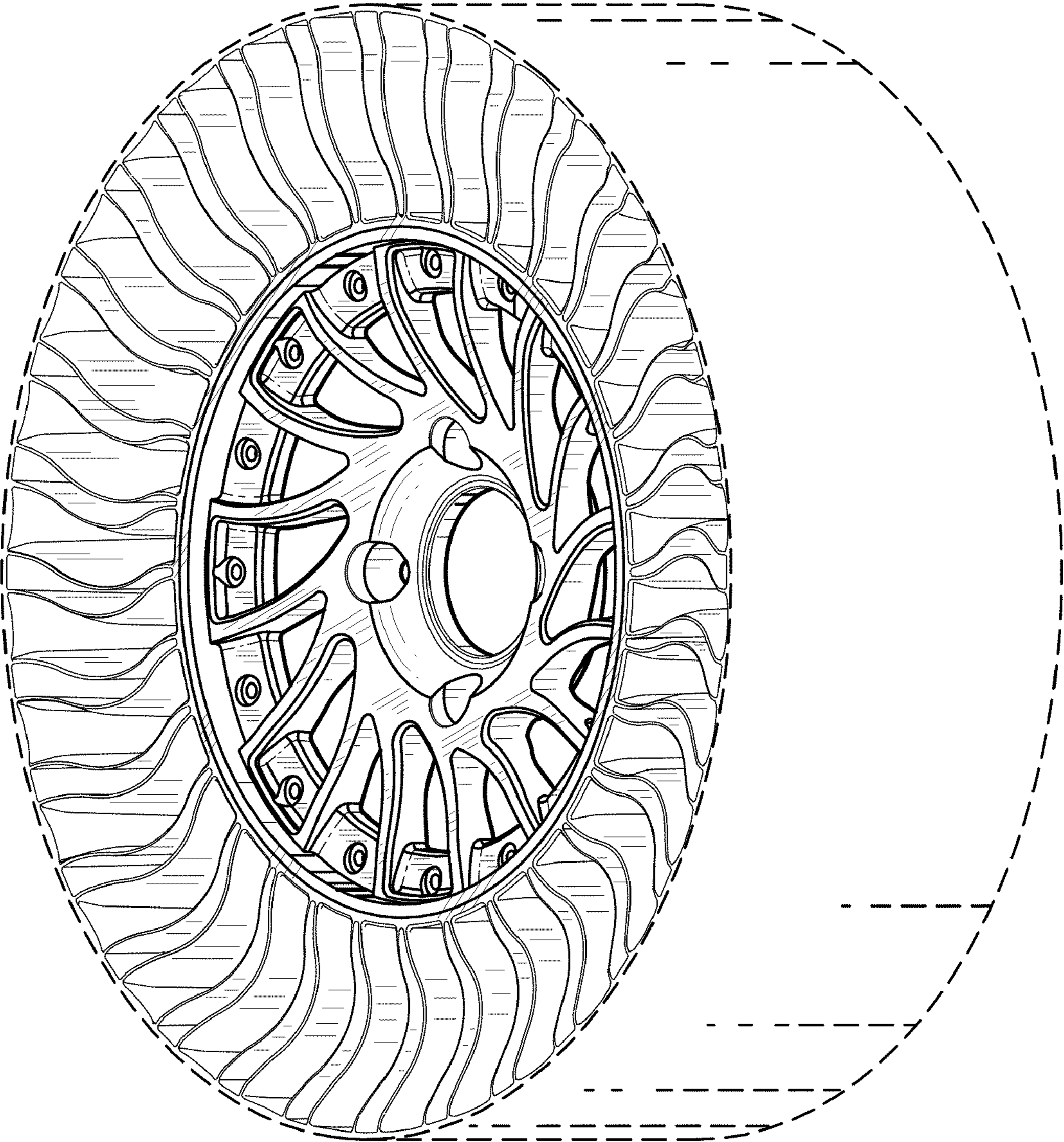


FIG. -1-

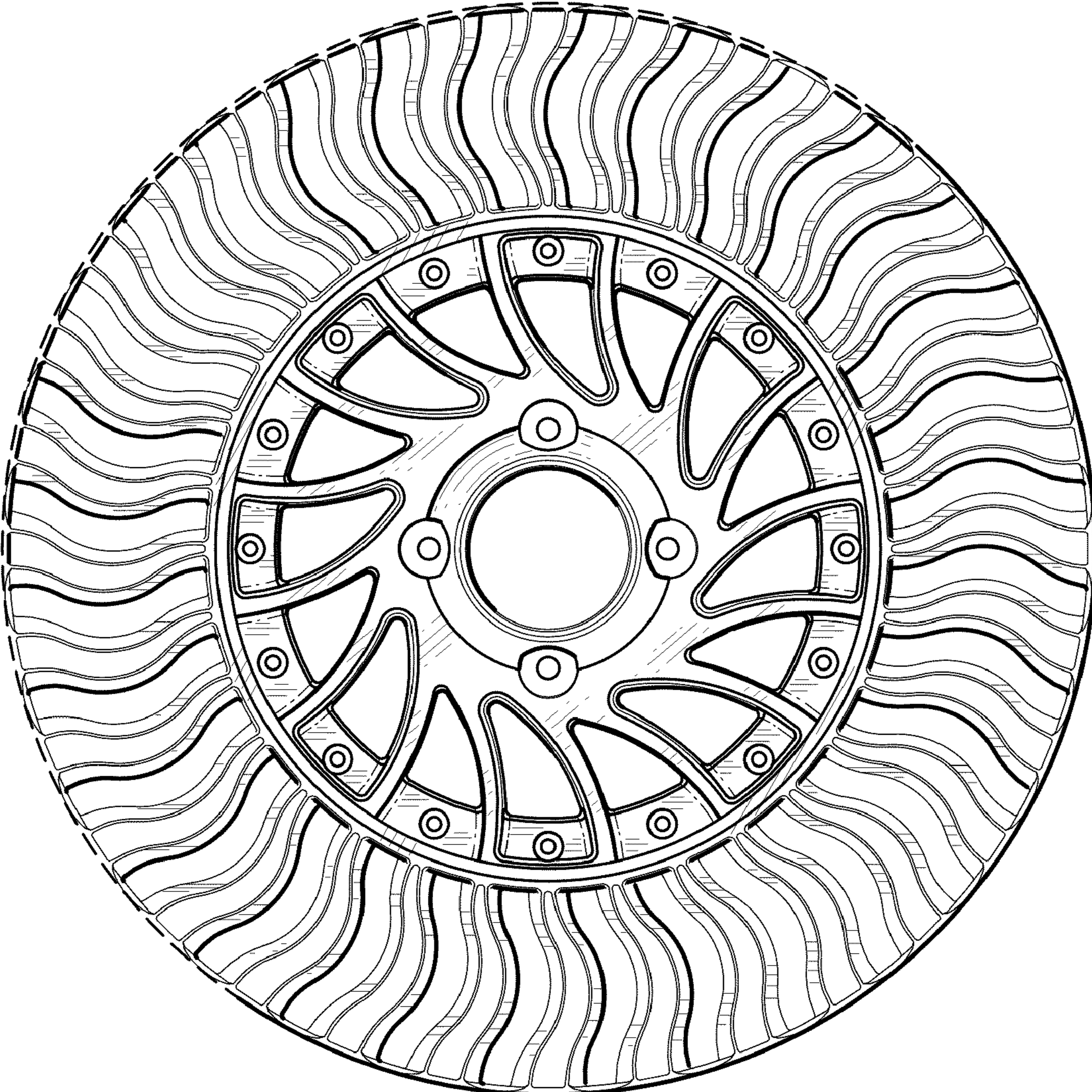


FIG. -2-

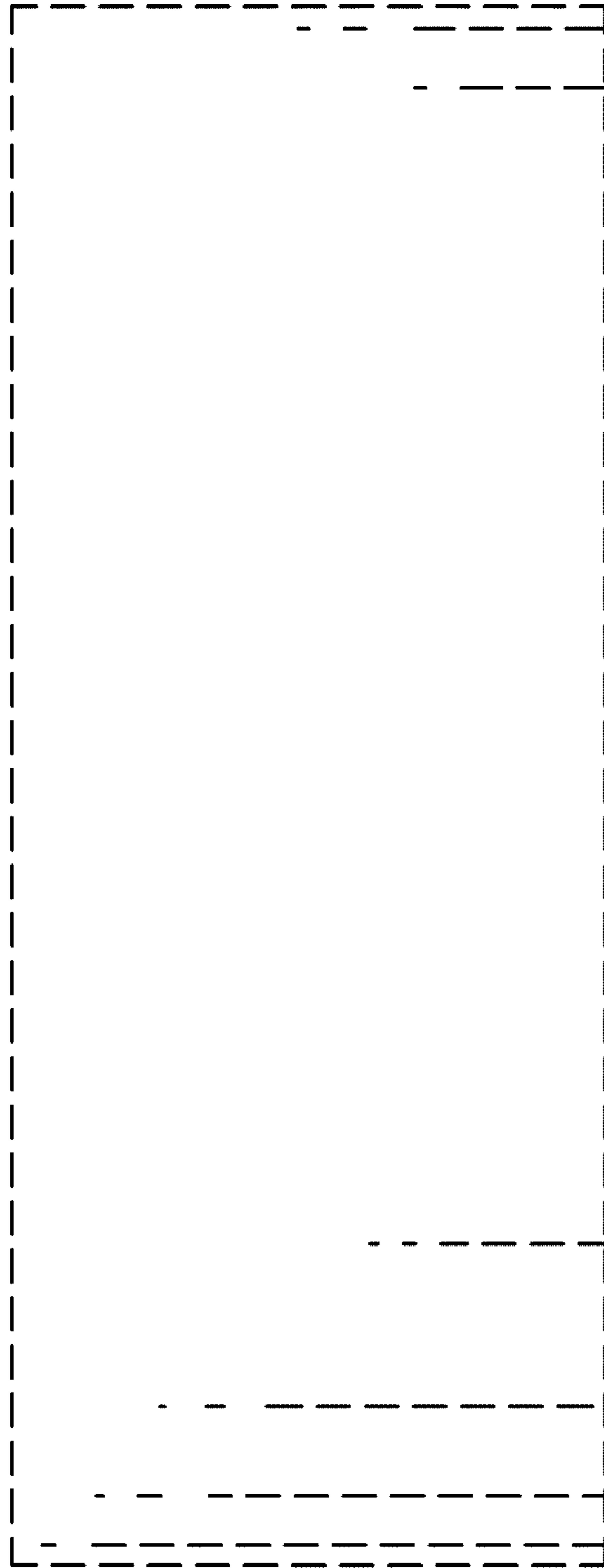


FIG. -3-