



US00D630565S

(12) **United States Design Patent**
Ebel et al.

(10) **Patent No.:** **US D630,565 S**

(45) **Date of Patent:** **** Jan. 11, 2011**

(54) **WHEEL CENTER**

(75) Inventors: **Benjamin E. Ebel**, Greenville, SC (US);
Derick Lonell Harris, Charlotte, NC
(US)

(73) Assignees: **Michelin Recherche et Technique**,
Granges-Paccot (CH); **Societe de**
Technologie Michelin,
Clermont-Ferrand (FR)

(**) Term: **14 Years**

(21) Appl. No.: **29/368,915**

(22) Filed: **Aug. 31, 2010**

(51) **LOC (9) Cl.** **12-16**

(52) **U.S. Cl.** **D12/209**

(58) **Field of Classification Search** D12/204-213;
301/37.101, 64.101, 65, 64.201

See application file for complete search history.

(56) **References Cited**

U.S. PATENT DOCUMENTS

D311,896 S * 11/1990 Mori D12/209
D386,740 S * 11/1997 Cullen D12/209

D403,646 S * 1/1999 Rotundo D12/209
D486,772 S * 2/2004 Warming D12/211
D531,952 S * 11/2006 Sands D12/211
D542,206 S * 5/2007 Evans D12/209
D576,094 S * 9/2008 Bernoni D12/211
7,418,988 B2 9/2008 Cron et al.
D594,800 S * 6/2009 Blasi D12/209
D616,799 S * 6/2010 Zhao D12/209
D617,249 S * 6/2010 Juergens et al. D12/211
2009/0294000 A1 12/2009 Cron
2010/0193097 A1 8/2010 McNier et al.

* cited by examiner

Primary Examiner—Stacia Cadmus

(74) *Attorney, Agent, or Firm*—Dority & Manning P.A.

(57) **CLAIM**

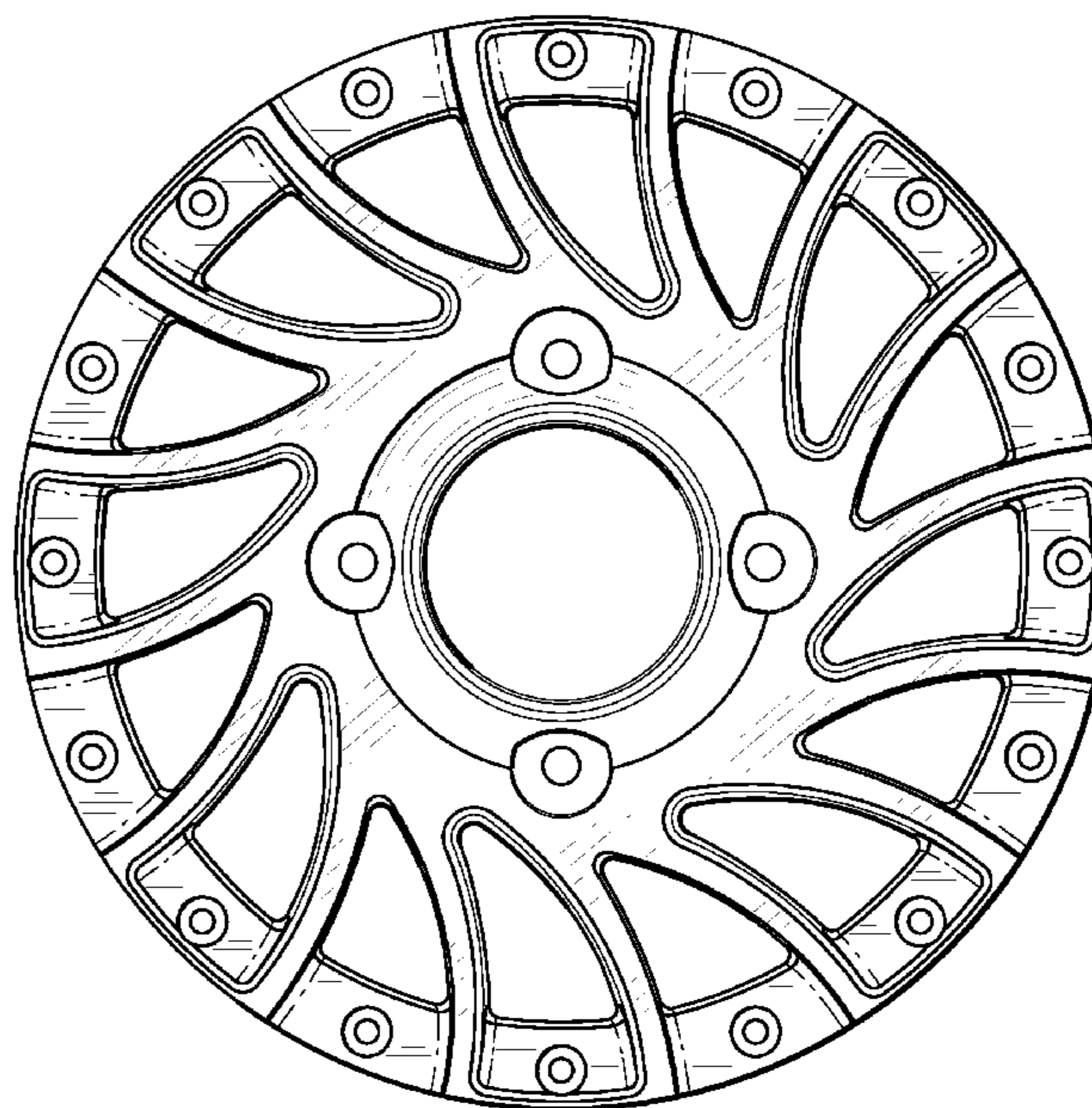
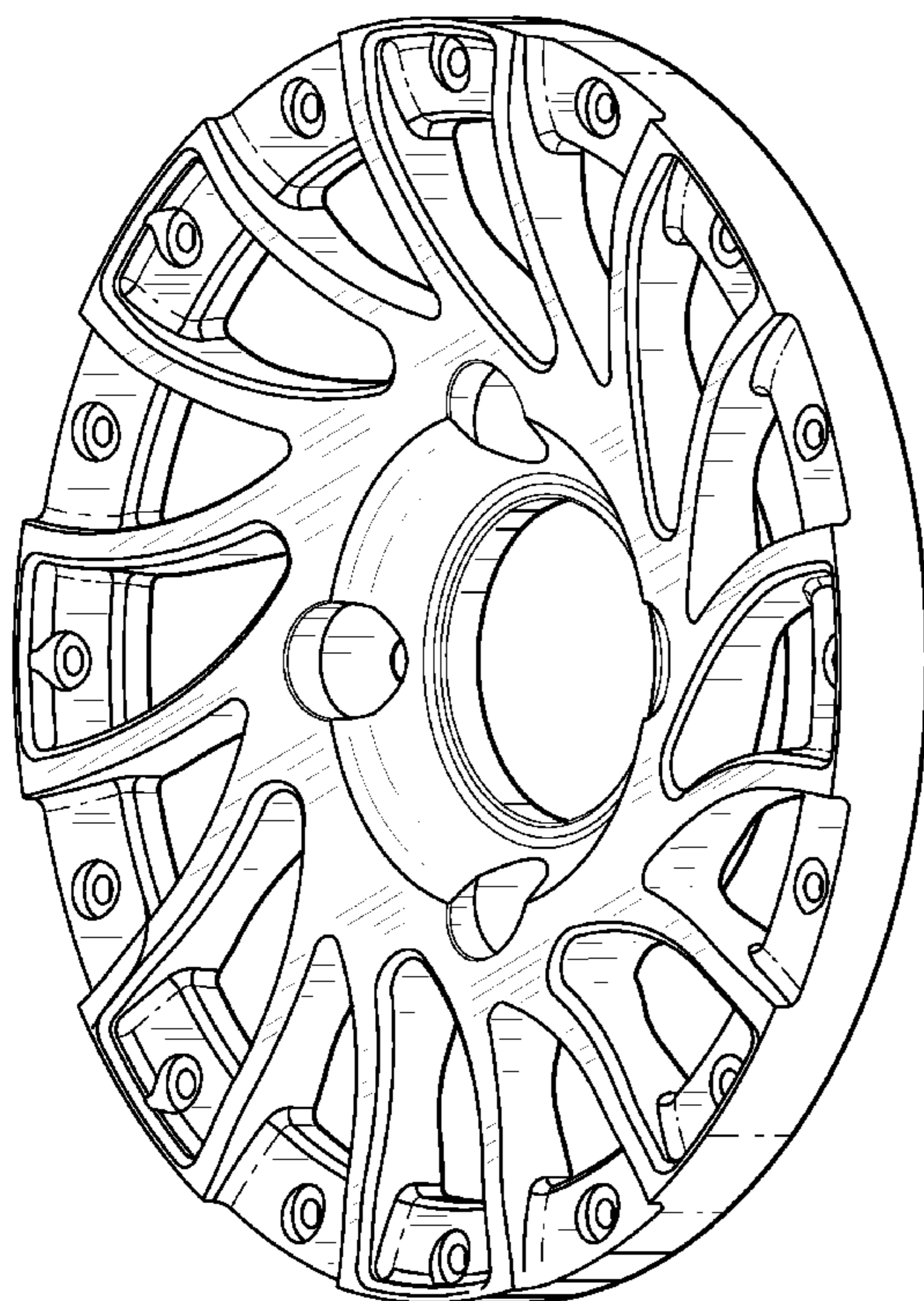
The ornamental design for a wheel center, as shown and described.

DESCRIPTION

FIG. 1 is a perspective view of a wheel center showing our new design; and,

FIG. 2 is a side elevation view.

1 Claim, 2 Drawing Sheets



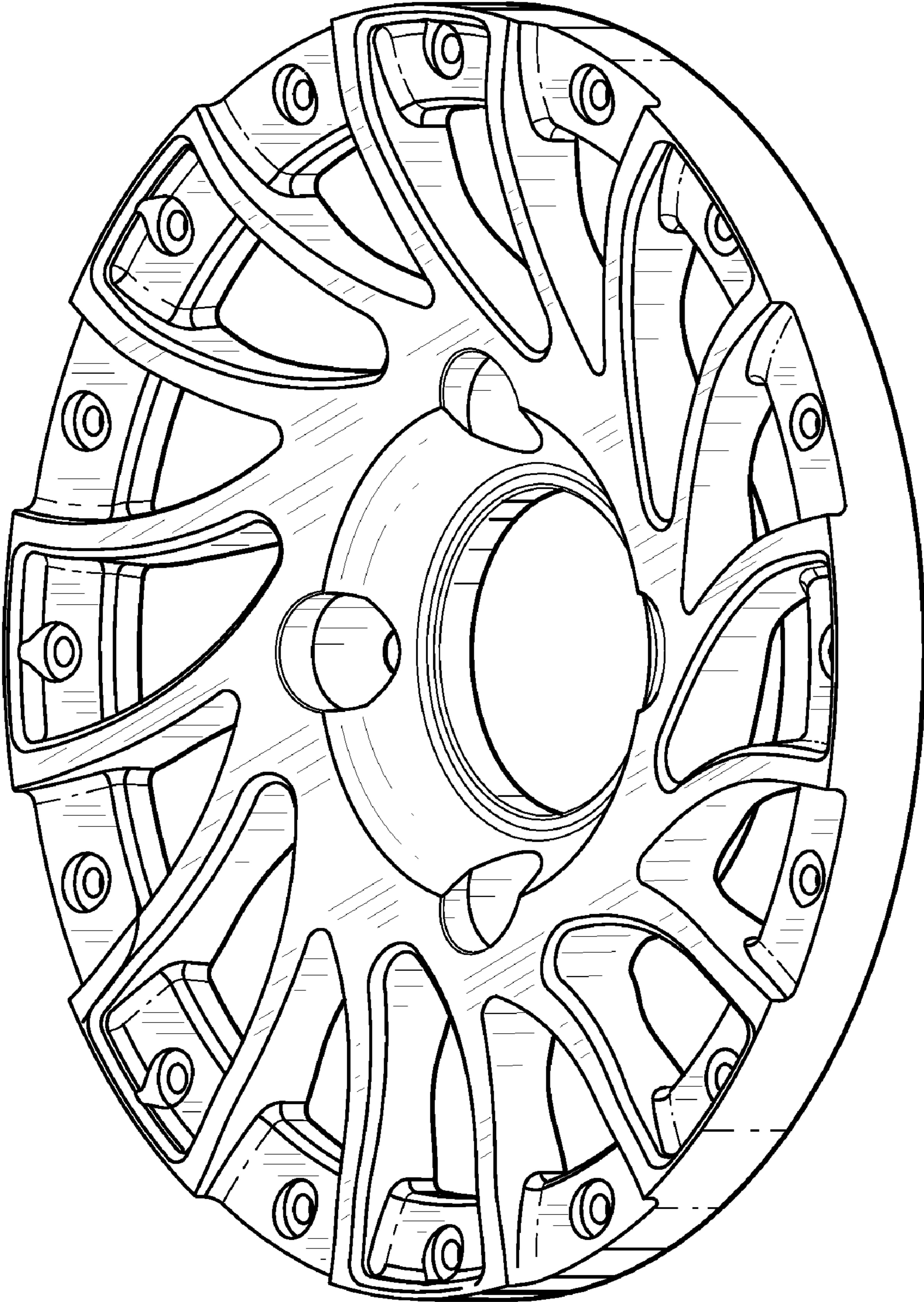


FIG. -1-

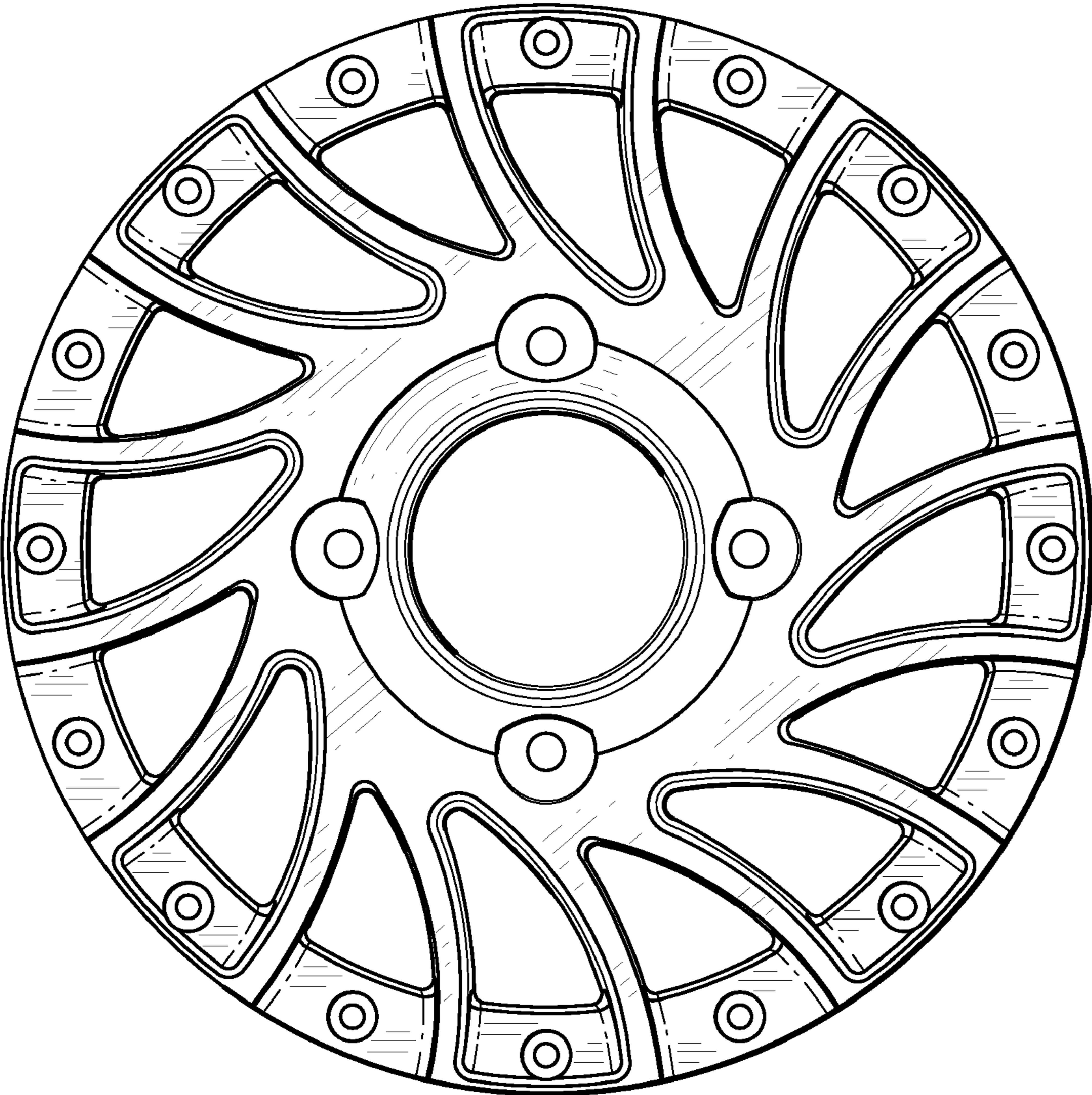


FIG. -2-