



US00D630564S

(12) **United States Design Patent**
Baum

(10) **Patent No.:** **US D630,564 S**
(45) **Date of Patent:** **** Jan. 11, 2011**

(54) **WHEEL OR WHEEL COVER**

(75) Inventor: **Stephan Baum**, Olching (DE)

(73) Assignee: **Bayerische Motoren Werke Aktiengesellschaft**, Munich (DE)

(**) Term: **14 Years**

(21) Appl. No.: **29/363,392**

(22) Filed: **Jun. 9, 2010**

(30) **Foreign Application Priority Data**

Dec. 10, 2009 (DE) 402009006245

(51) **LOC (9) Cl.** **12-16**

(52) **U.S. Cl.** **D12/209**

(58) **Field of Classification Search** D12/204-213;
301/37.101, 64.101, 65, 64.201

See application file for complete search history.

(56) **References Cited**

U.S. PATENT DOCUMENTS

D475,337 S *	6/2003	Kataoka	D12/209
D492,235 S	6/2004	Nordmann		
D501,174 S *	1/2005	Kataoka	D12/209
D518,429 S *	4/2006	Sands	D12/209
D538,216 S	3/2007	Sycha		
D583,739 S *	12/2008	Gallert	D12/209
D584,672 S *	1/2009	Osborne	D12/209
D598,356 S *	8/2009	Aroney	D12/209
D601,074 S *	9/2009	Buschmann	D12/209
D608,714 S *	1/2010	Bucher et al.	D12/209

D613,659 S *	4/2010	Cortes	D12/209
D614,558 S *	4/2010	Luciani et al.	D12/209
D617,712 S	6/2010	Juergens et al.		
D617,716 S *	6/2010	Lamm et al.	D12/211
D618,151 S	6/2010	Junker		
D621,770 S	8/2010	Pollmann		

FOREIGN PATENT DOCUMENTS

DE	40104441.6	9/2001
EM	000577945-0002	9/2006
EM	001636978-0003	11/2009
EM	001636978-0009	11/2009
EM	001636978-0010	11/2009
EM	001658154-0002	5/2010

* cited by examiner

Primary Examiner—Stacia Cadmus

(74) *Attorney, Agent, or Firm*—Crowell & Moring LLP

(57) **CLAIM**

The ornamental design for a wheel or wheel cover, as shown and described.

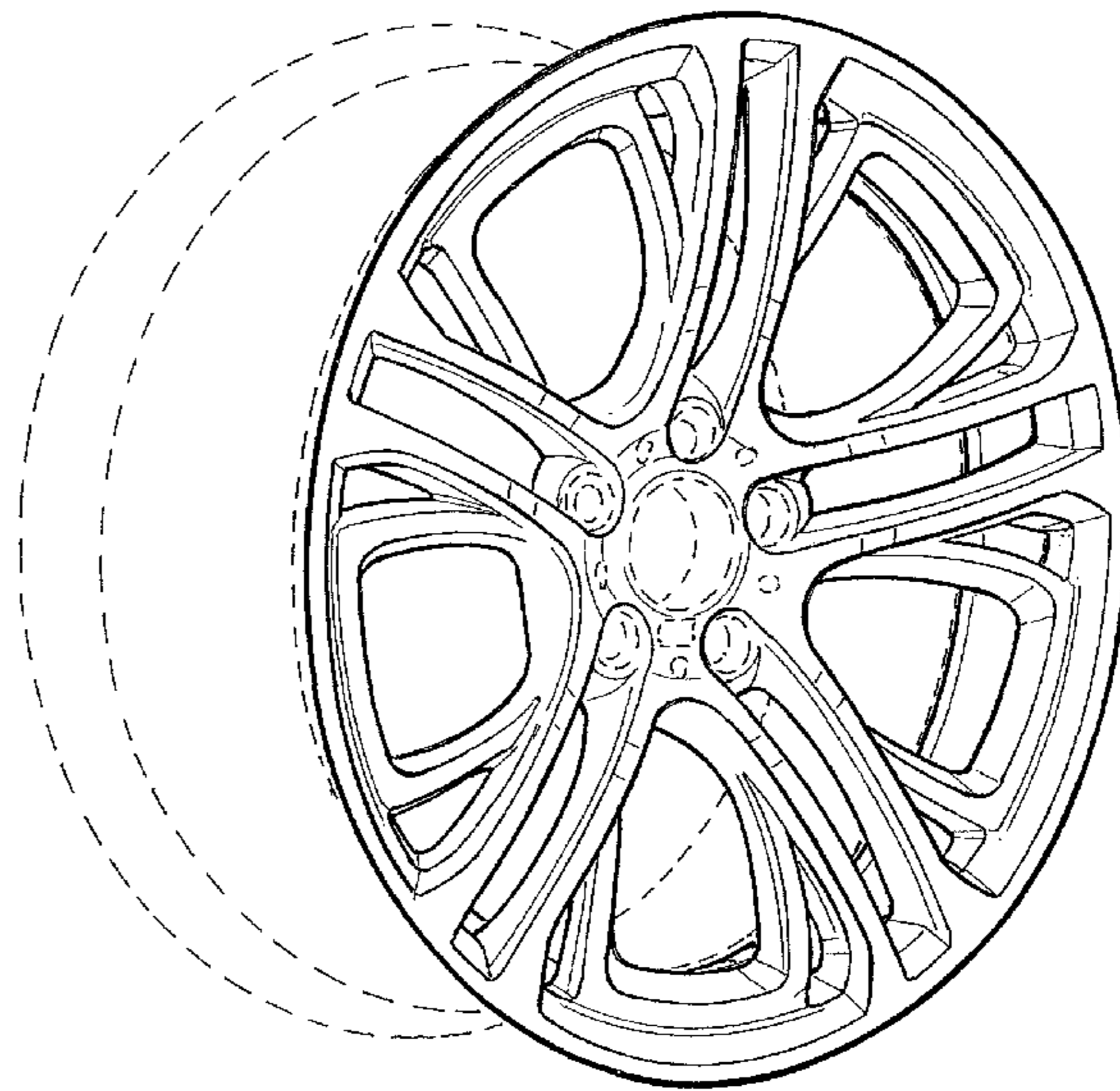
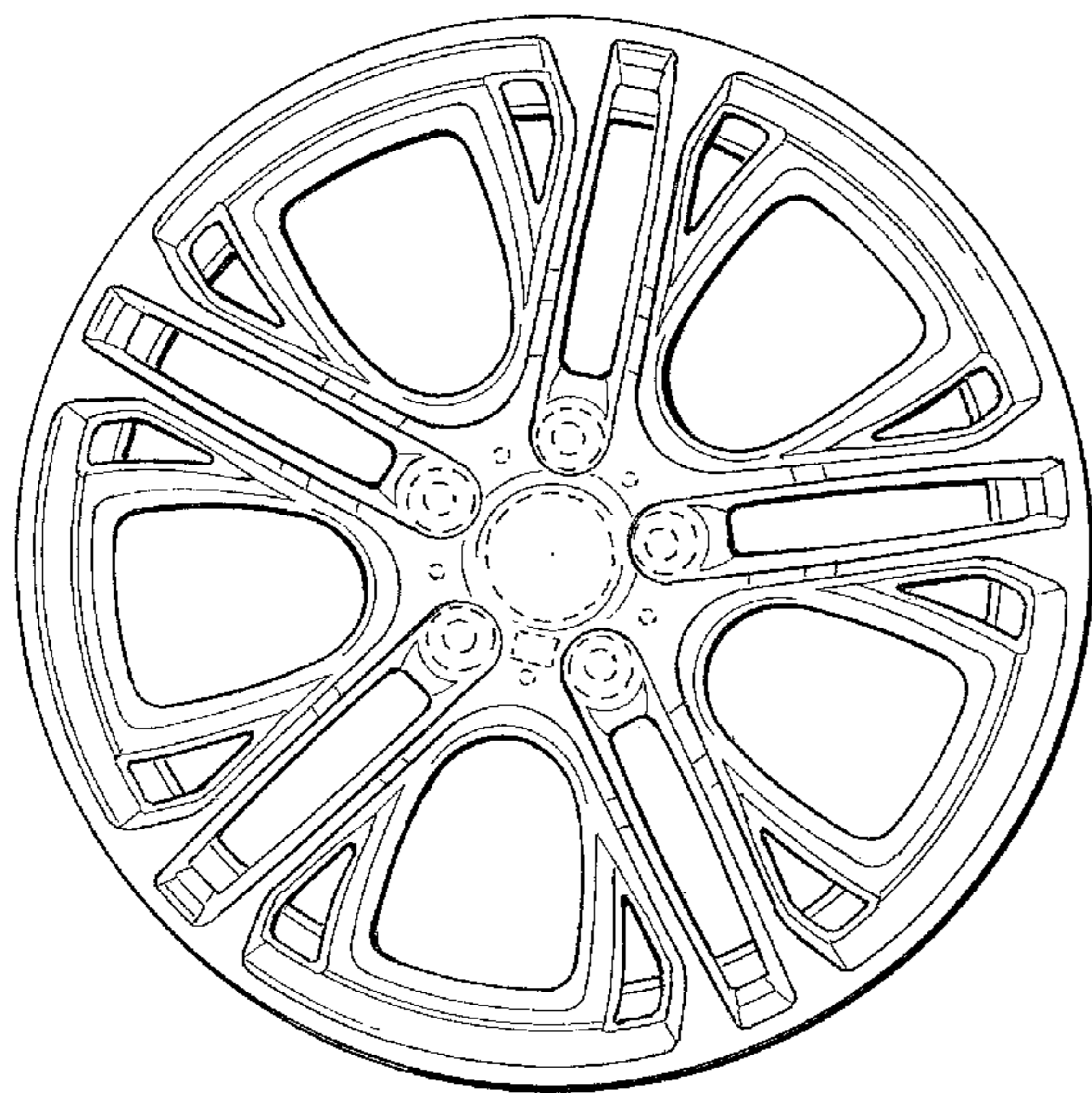
DESCRIPTION

FIG. 1 is a front view of a wheel or wheel cover according to my design; and,

FIG. 2 is a perspective view thereof.

The broken line showing of the rear of the rim and the bolt holes and center hole in the central hub area is included for the purpose of illustrating environment and forms no part of the claimed design.

1 Claim, 1 Drawing Sheet



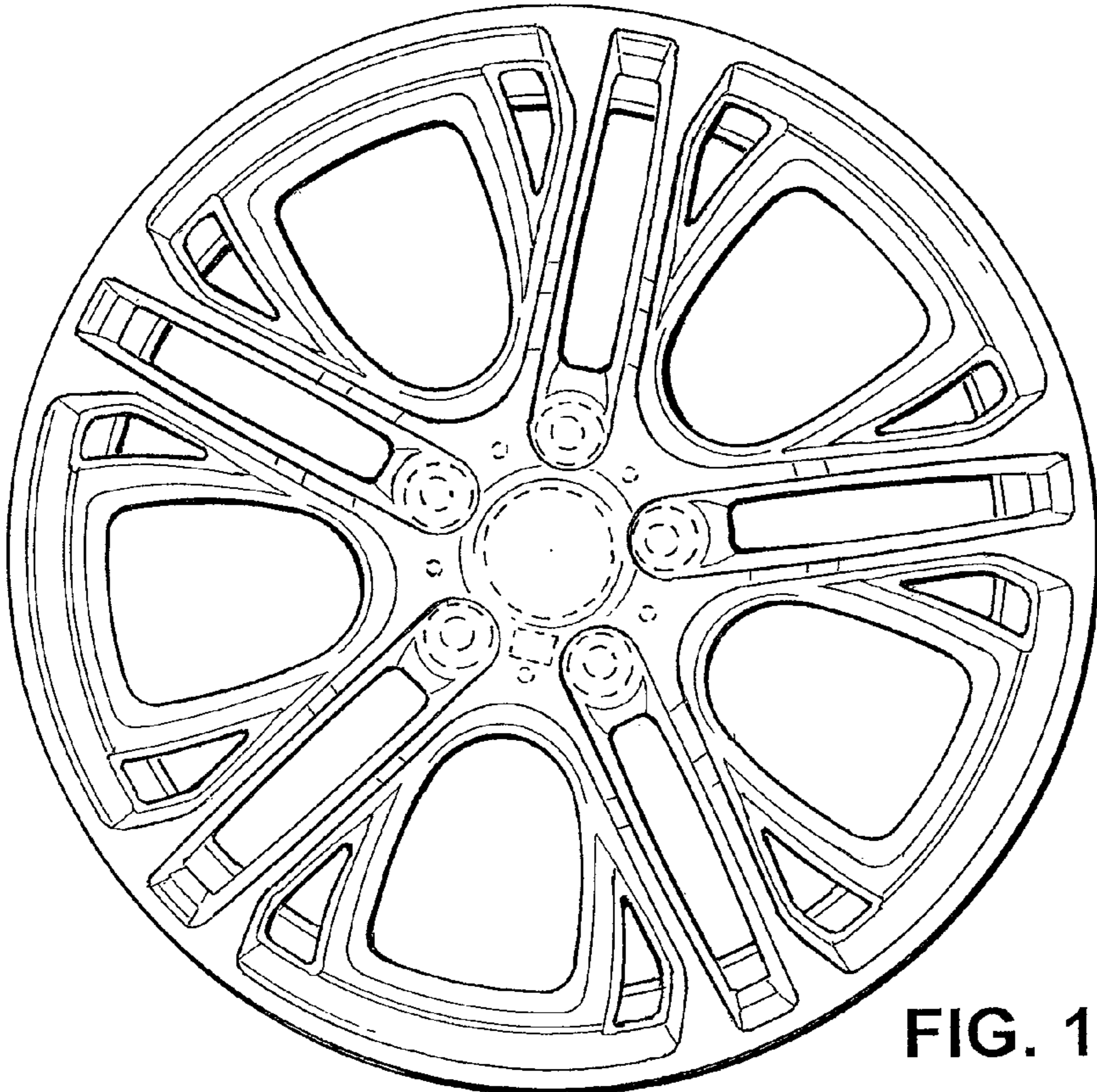


FIG. 1

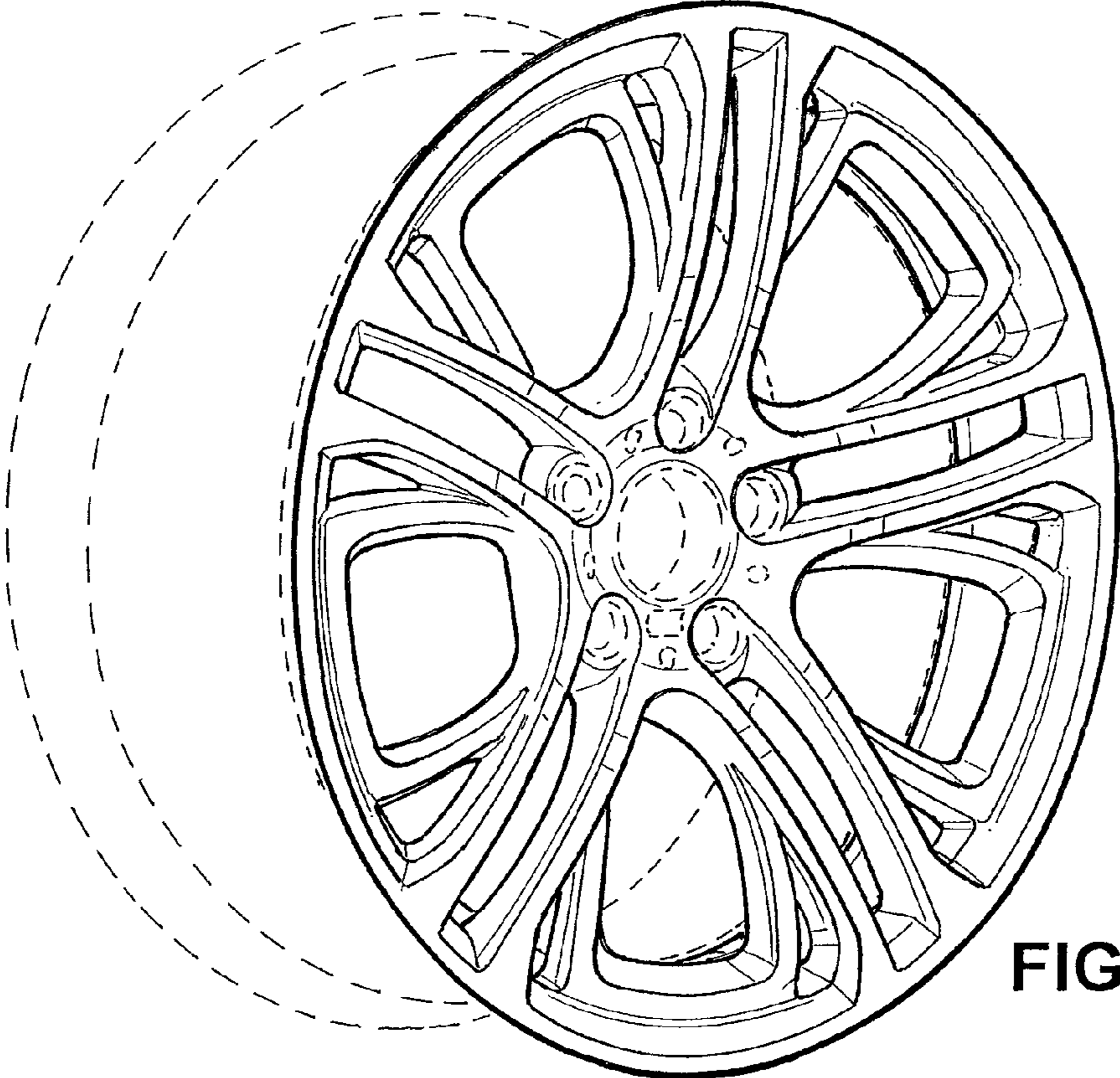


FIG. 2