



US00D630555S

(12) **United States Design Patent**
Koshino et al.

(10) **Patent No.:** **US D630,555 S**
(45) **Date of Patent:** **** Jan. 11, 2011**

(54) **MOTOR VEHICLE AND/OR TOY REPLICA THEREOF**

(75) Inventors: **Tatsurou Koshino**, Yokosuka (JP);
Tetsuya Nakagawa, Yokosuka (JP); **Jun Takahashi**, Yokosuka (JP)

(73) Assignee: **Toyota Jidosha Kabushiki Kaisha** (JP)

(**) Term: **14 Years**

(21) Appl. No.: **29/359,221**

(22) Filed: **Apr. 7, 2010**

(51) **LOC (9) Cl.** **12-08**

(52) **U.S. Cl.** **D12/92**

(58) **Field of Classification Search** D12/86,
D12/90-92; D21/424, 433, 434; 296/181.1,
296/181.5

See application file for complete search history.

(56) **References Cited**

U.S. PATENT DOCUMENTS

D603,297 S	*	11/2009	Takahashi	D12/92
D606,901 S	*	12/2009	Inukai et al.	D12/92
D611,388 S	*	3/2010	Hogios et al.	D12/92
D612,296 S	*	3/2010	Miyazaki et al.	D12/92
D612,299 S	*	3/2010	Ito et al.	D12/92

OTHER PUBLICATIONS

Honda Accord, Honda, Netcarshow.com, <http://www.netcarshow.com/honda/2009>, available as early as Mar. 31, 2010.

Honda Civic, Honda, Netcarshow.com, http://www.netcarshow.com/honda/2007-civic_type_r_sedan/, available as early as Mar. 31, 2010.

* cited by examiner

Primary Examiner—Melody N Brown

(74) *Attorney, Agent, or Firm*—Saidman DesignLaw Group

(57) **CLAIM**

The ornamental design for a motor vehicle and/or toy replica thereof, as shown and described.

DESCRIPTION

FIG. 1 is a front perspective view of a motor vehicle and/or toy replica thereof showing our new design;

FIG. 2 is a rear perspective view thereof;

FIG. 3 is a right-side view thereof, the left-side view being a mirror image;

FIG. 4 is a top view thereof;

FIG. 5 is a front view thereof; and,

FIG. 6 is a rear view thereof.

1 Claim, 3 Drawing Sheets



Fig. 1



Fig. 2



Fig. 3

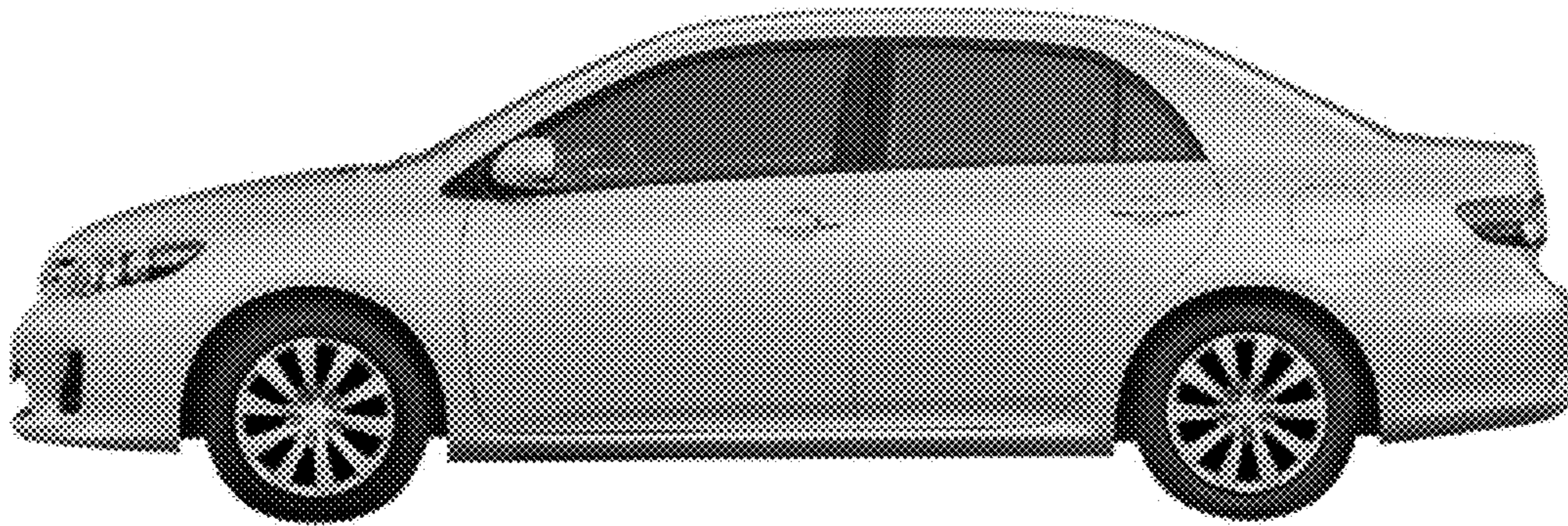


Fig. 4

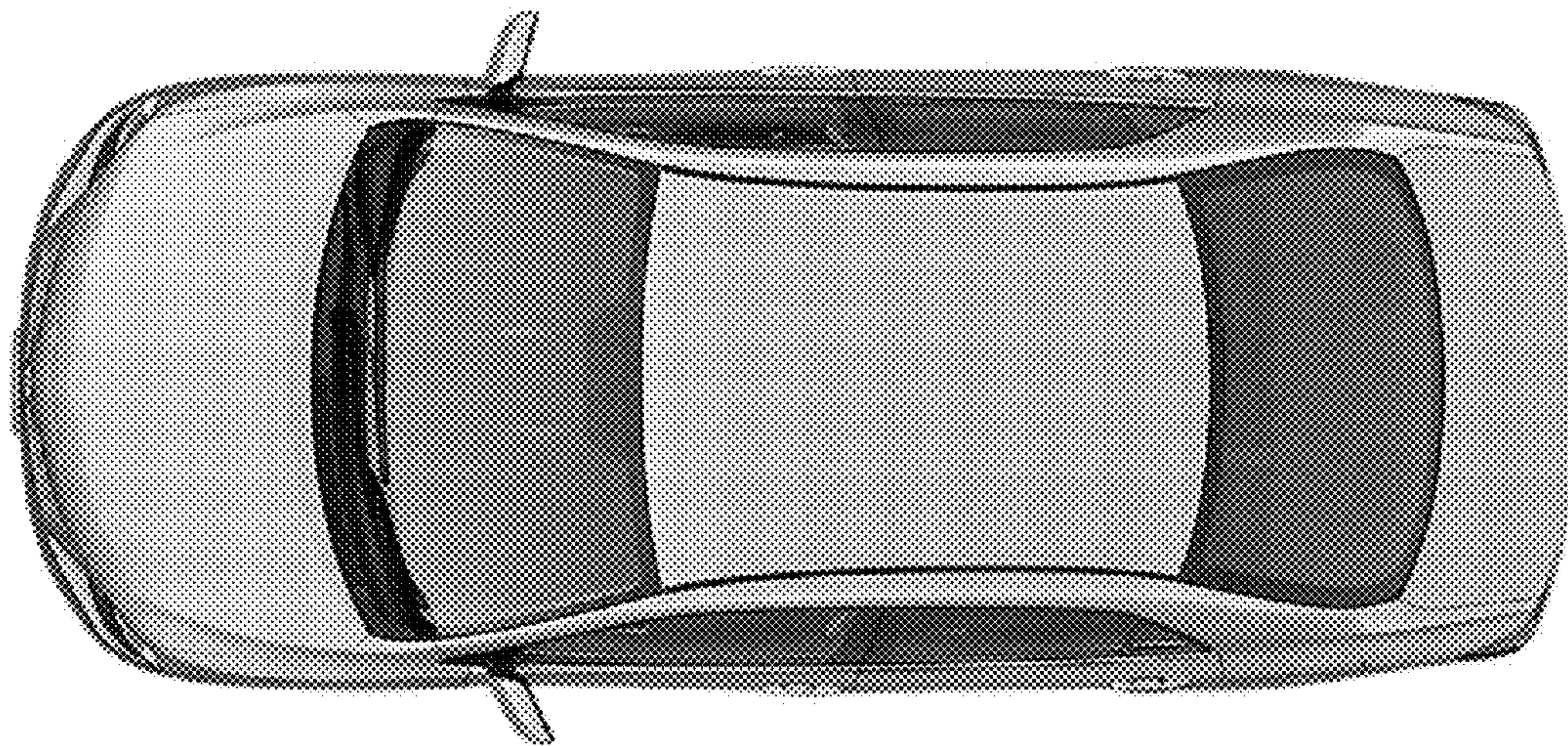


Fig. 5



Fig. 6

