



US00D630552S

(12) **United States Design Patent**
Tombazis

(10) **Patent No.:** **US D630,552 S**
(45) **Date of Patent:** **** Jan. 11, 2011**

(54) **CAR, TOY REPLICA AND/OR OTHER REPLICAS**

(75) Inventor: **Nikolaos Tombazis**, Castelnuovo Rangone (IT)

(73) Assignee: **Ferrari S.p.A.** (IT)

(**) Term: **14 Years**

(21) Appl. No.: **29/365,835**

(22) Filed: **Jul. 15, 2010**

(30) **Foreign Application Priority Data**

Jan. 18, 2010 (EP) 001657958
Jan. 18, 2010 (EP) 001657966

(51) **LOC (9) Cl.** **12-08**

(52) **U.S. Cl.** **D12/88**

(58) **Field of Classification Search** D12/86,
D12/90-92, 88; D21/424, 433, 434; 296/181.1,
296/181.5

See application file for complete search history.

(56) **References Cited**

U.S. PATENT DOCUMENTS

D528,041 S * 9/2006 Costa D12/88

D552,510 S * 10/2007 Costa D12/88
D576,918 S * 9/2008 Taylor et al. D12/88
D577,314 S * 9/2008 Dockery D12/88
D597,442 S * 8/2009 Steinhauser D12/88
D610,949 S * 3/2010 Tombazis D12/88

* cited by examiner

Primary Examiner—Melody N Brown

(74) *Attorney, Agent, or Firm*—Cantor Colburn LLP

(57) **CLAIM**

I claim, the ornamental design for a car, toy replica and/or other replicas, as shown and described.

DESCRIPTION

FIG. 1 is a front view of a car, toy replica and/or other replicas, showing my new design;

FIG. 2 is a side view thereof taken from the right of FIG. 1;

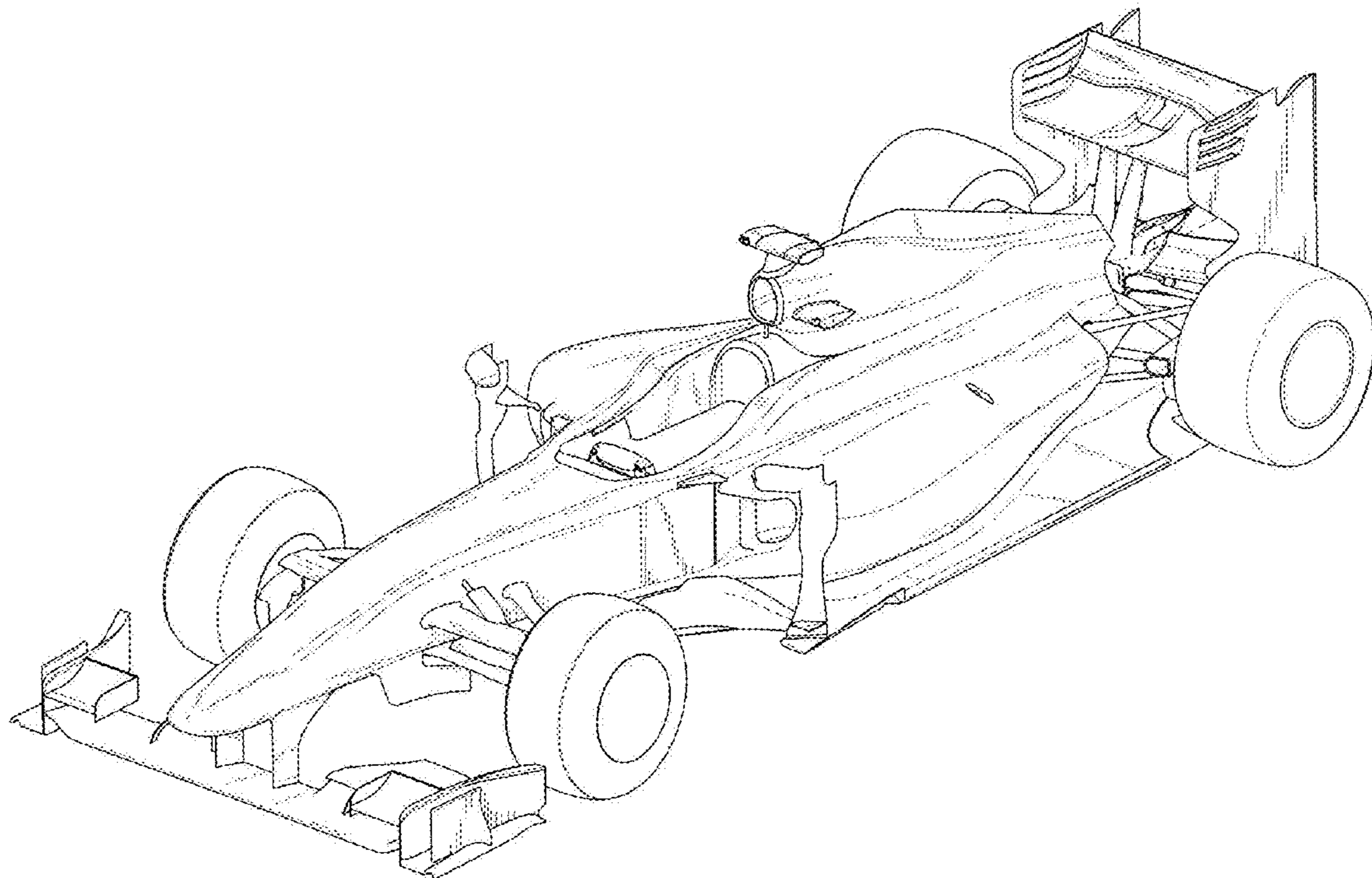
FIG. 3 is a side view thereof taken from the left of FIG. 1;

FIG. 4 is a rear view thereof;

FIG. 5 is a top view thereof; and,

FIG. 6 is a front and side perspective view thereof.

1 Claim, 6 Drawing Sheets



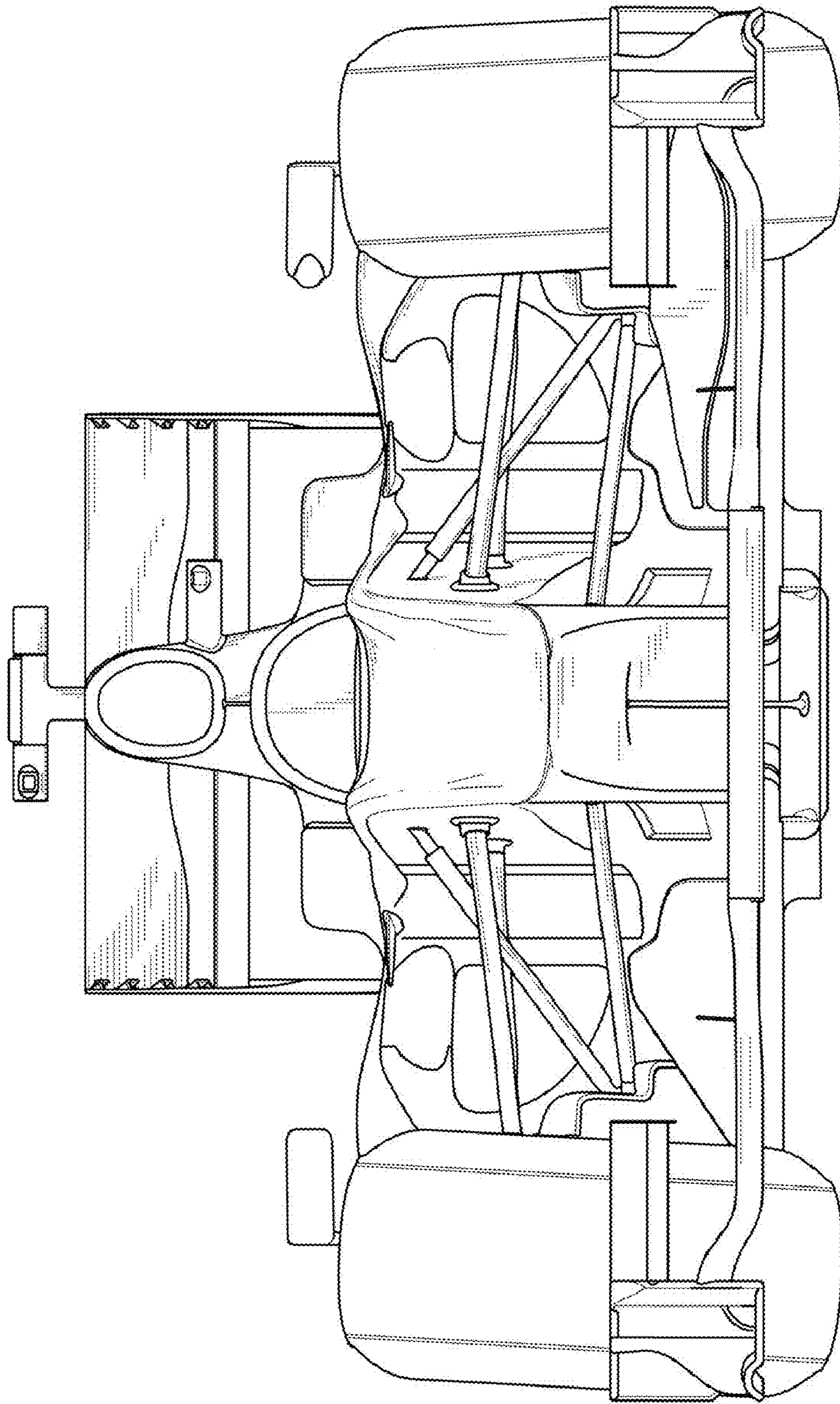


Fig.1

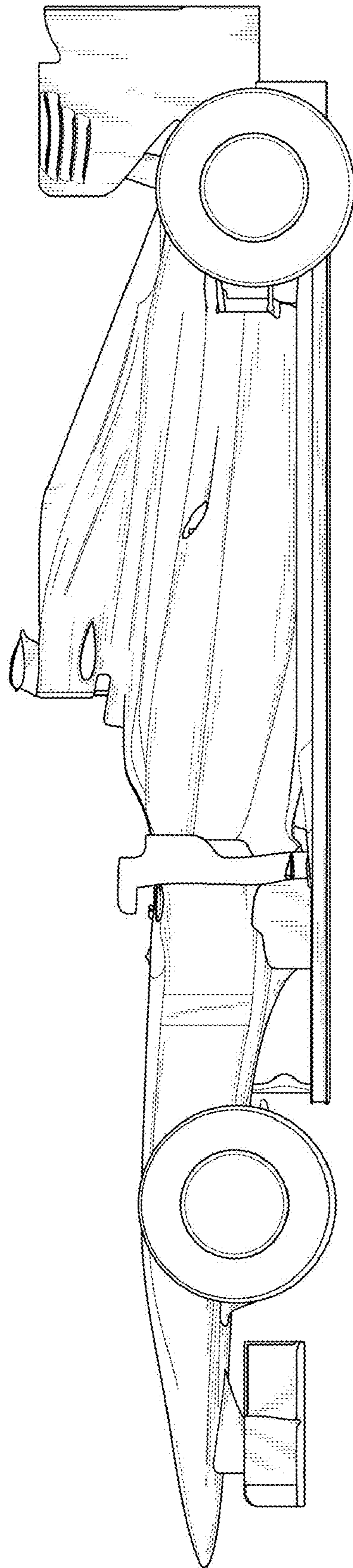


Fig.2

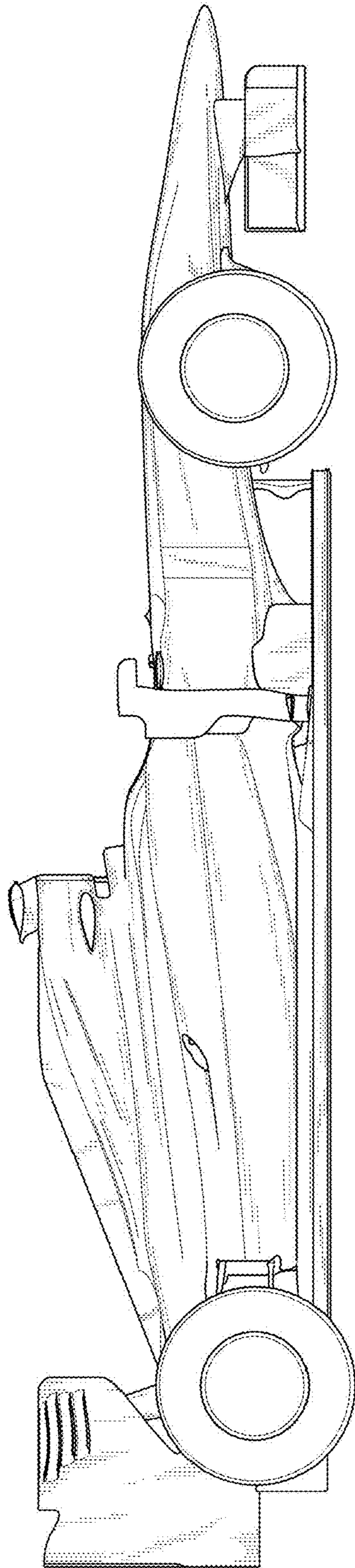


Fig.3

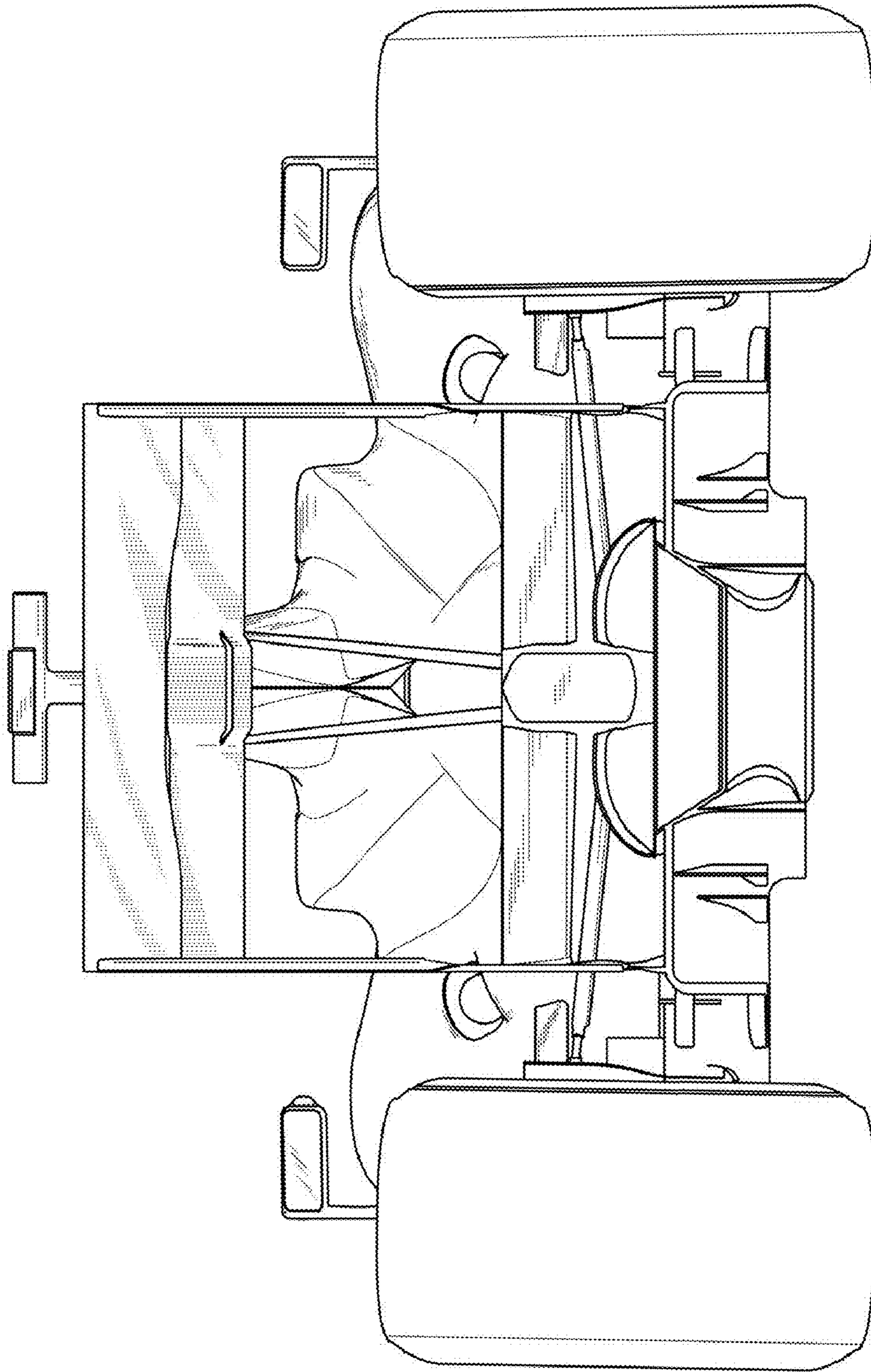


Fig.4

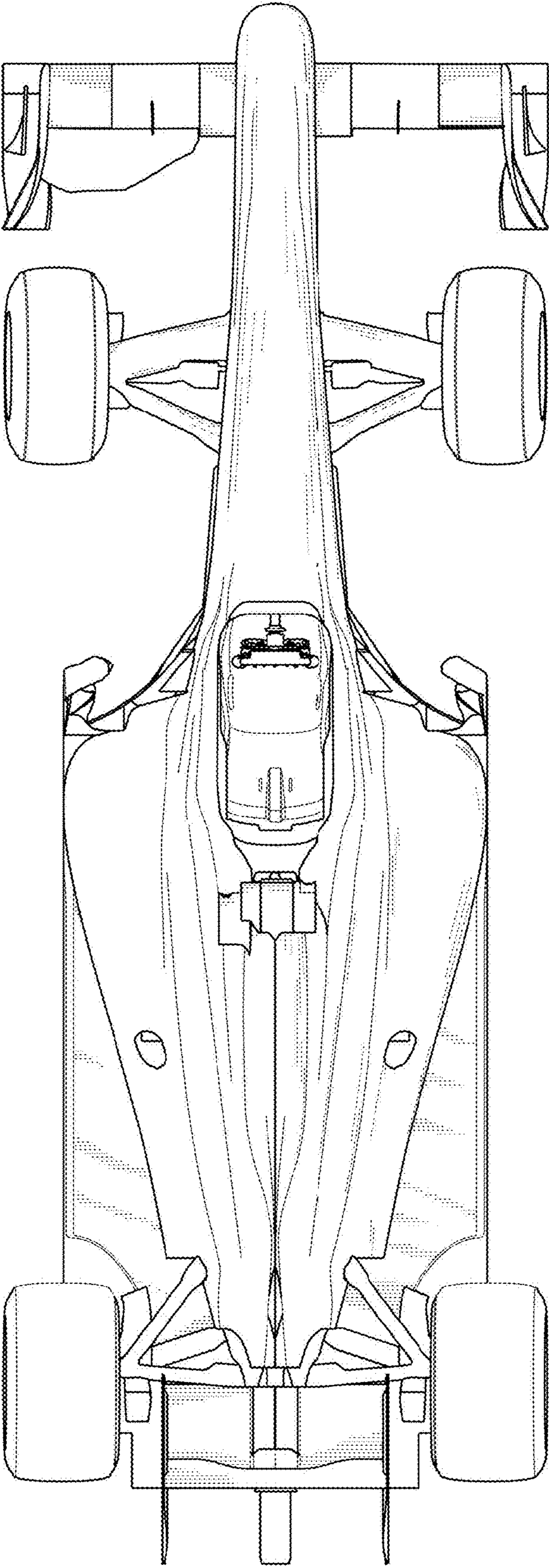


Fig.5

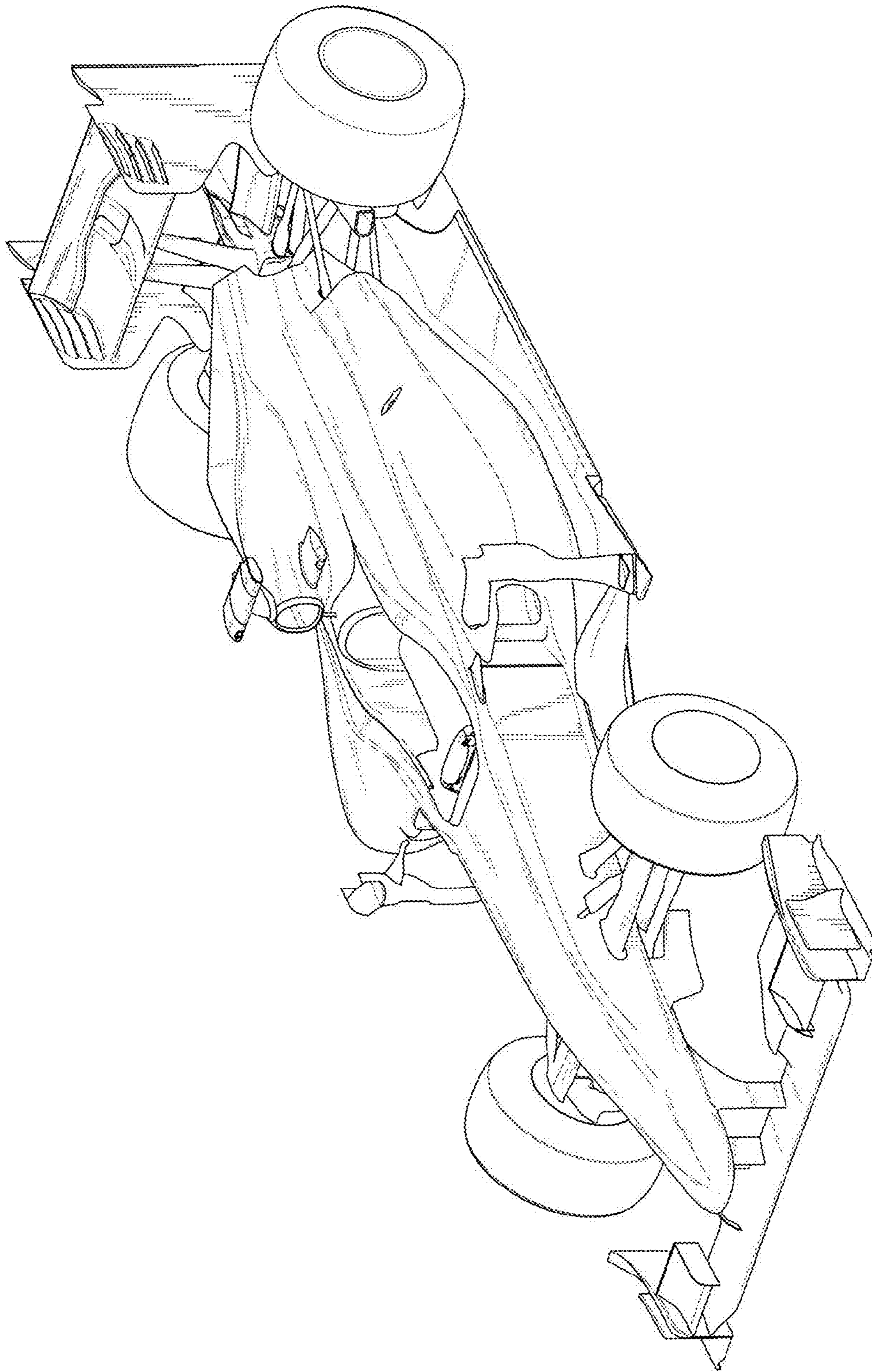


Fig.6