



US00D630551S

(12) **United States Design Patent**
Vermeersch et al.

(10) **Patent No.:** **US D630,551 S**
(45) **Date of Patent:** **** Jan. 11, 2011**

(54) **SNOW GROOMER**

(75) Inventors: **Lowie Vermeersch**, Turin (IT); **Alfredo Palma**, Turin (IT); **Marco Capolicchio**, Turin (IT)

(73) Assignee: **Rolic Invest S.AR.L.**, Luxembourg (LU)

(**) Term: **14 Years**

(21) Appl. No.: **29/355,012**

(22) Filed: **Feb. 1, 2010**

(30) **Foreign Application Priority Data**

Oct. 23, 2009 (EM) 1172761

(51) **LOC (9) Cl.** **12-14**

(52) **U.S. Cl.** **D12/11; D15/30**

(58) **Field of Classification Search** D15/10-12, D15/30, 33; D12/1, 7, 11, 12, 96; 296/190.09, 296/190.01, 190.08, 190.11; 362/485, 493; 180/7.1, 90, 89.12, 89.1, 89.19, 9.1; 37/196, 37/225, 219, 224, 263

See application file for complete search history.

(56) **References Cited**

U.S. PATENT DOCUMENTS

3,227,295	A	1/1966	Hamilton et al.	
3,534,701	A	10/1970	Hebert	
D222,859	S *	1/1972	Delisle et al.	D12/7
3,692,132	A	9/1972	Pollanen	
3,763,944	A	10/1973	Kaltenegger	
D237,373	S *	10/1975	Cole et al.	D12/96
4,087,135	A	5/1978	Unruh	
D253,174	S *	10/1979	Mason	D15/12
4,348,825	A	9/1982	Bachler	
D274,801	S *	7/1984	Griffin et al.	D12/7
4,458,954	A	7/1984	Hass	
4,500,139	A	2/1985	Tucek	
4,788,783	A	12/1988	Bachler	
5,318,141	A	6/1994	Hansen	
D384,358	S *	9/1997	Smith	D15/30
D398,616	S *	9/1998	Kwak et al.	D15/30
6,155,363	A	12/2000	Matsumoto et al.	

D449,252	S	10/2001	Takeshita et al.	
6,354,023	B1	3/2002	Trahan et al.	
D492,621	S *	7/2004	Morris	D12/12
6,810,609	B2	11/2004	Lassonde et al.	
D502,296	S *	2/2005	Cunningham	D32/16

(Continued)

FOREIGN PATENT DOCUMENTS

CA 2211050 1/1998

(Continued)

OTHER PUBLICATIONS

PistenBully 600 brochure, written by Kassbohrer Gelandefahrzeug AG, published in Mar. 2010.

(Continued)

Primary Examiner—Mark A Goodwin
(74) *Attorney, Agent, or Firm*—K&L Gates LLP

(57) **CLAIM**

The ornamental design for a snow groomer, as shown and described.

DESCRIPTION

FIG. 1 is a top front perspective view of a snow groomer showing our new design, the broken line showing of portions of the snow groomer in FIGS. 1-7 is included for the purpose of illustrating environmental structure only and forms no part of the claimed design.

FIG. 2 is a rear perspective view thereof.

FIG. 3 is a front view thereof.

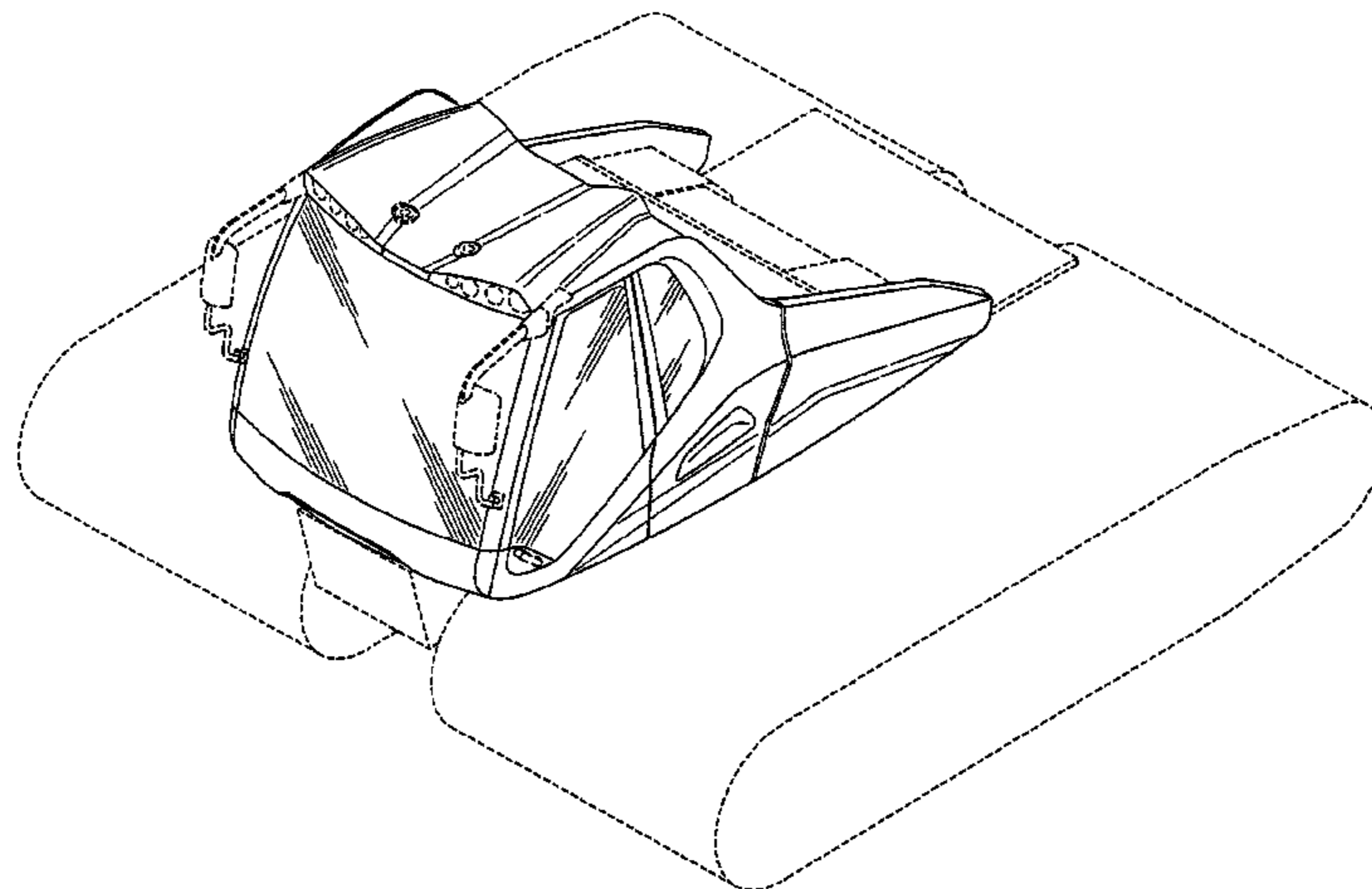
FIG. 4 is a rear view thereof.

FIG. 5 is a left side view thereof.

FIG. 6 is a right side view thereof; and,

FIG. 7 is a top plan view thereof.

1 Claim, 7 Drawing Sheets



US D630,551 S

Page 2

U.S. PATENT DOCUMENTS

6,921,304	B2	7/2005	Hewitt	
6,983,927	B2	1/2006	Pelletier et al.	
7,530,547	B2	5/2009	Leitner et al.	
7,740,094	B2 *	6/2010	Pelletier	180/184
2003/0051376	A1	3/2003	Lassonde et al.	
2003/0154633	A1 *	8/2003	Lassonde	37/219
2003/0177668	A1 *	9/2003	Eriksson et al.	37/219
2004/0069981	A1	4/2004	Pelletier et al.	
2004/0083627	A1 *	5/2004	Pelletier	37/219
2004/0144000	A1 *	7/2004	Kanzler	37/196
2005/0252592	A1	11/2005	Albright et al.	
2005/0279980	A1	12/2005	Leitner et al.	
2007/0130806	A1	6/2007	Goodman	
2008/0269986	A1	10/2008	Regnell et al.	
2008/0309157	A1	12/2008	Runggaldier et al.	
2009/0000833	A1	1/2009	Dorais et al.	
2009/0007461	A1	1/2009	Pelletier et al.	
2009/0013562	A1	1/2009	Pelletier	
2010/0225160	A1 *	9/2010	Rainer et al.	305/191
2010/0231025	A1 *	9/2010	Wagner	298/17 R

FOREIGN PATENT DOCUMENTS

CA 2443765 A1 4/2004

DE	2219623	11/1973
DE	2254276	5/1974
DE	3534626	3/1987
DE	29515866	1/1996
DE	10320523	11/2004
EP	1827954 B1	12/2005
EP	1995159 A1	6/2007
EP	1908673 B1	9/2009
EP	1908672 B1	4/2010
FR	2336292	7/1977
FR	2586727	3/1987
IT	74693	3/2002
WO	WO2008155423	12/2008
WO	WO2008155425	12/2008
WO	WO2009056577	5/2009

OTHER PUBLICATIONS

PistenBully Scout brochure, written by Kassbohrer Gelandefahrzeug AG, published in Jan. 2010.

* cited by examiner

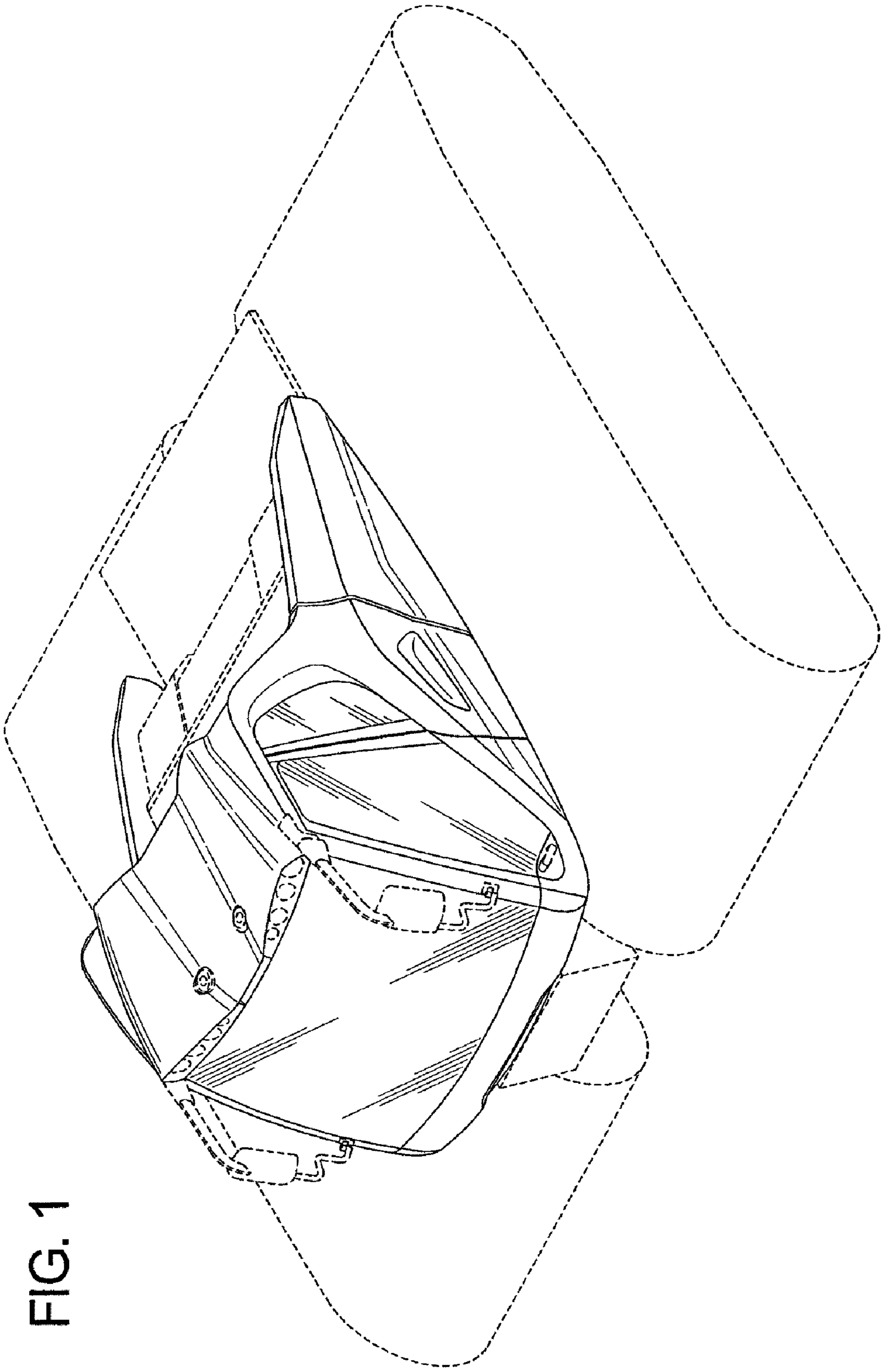


FIG. 1

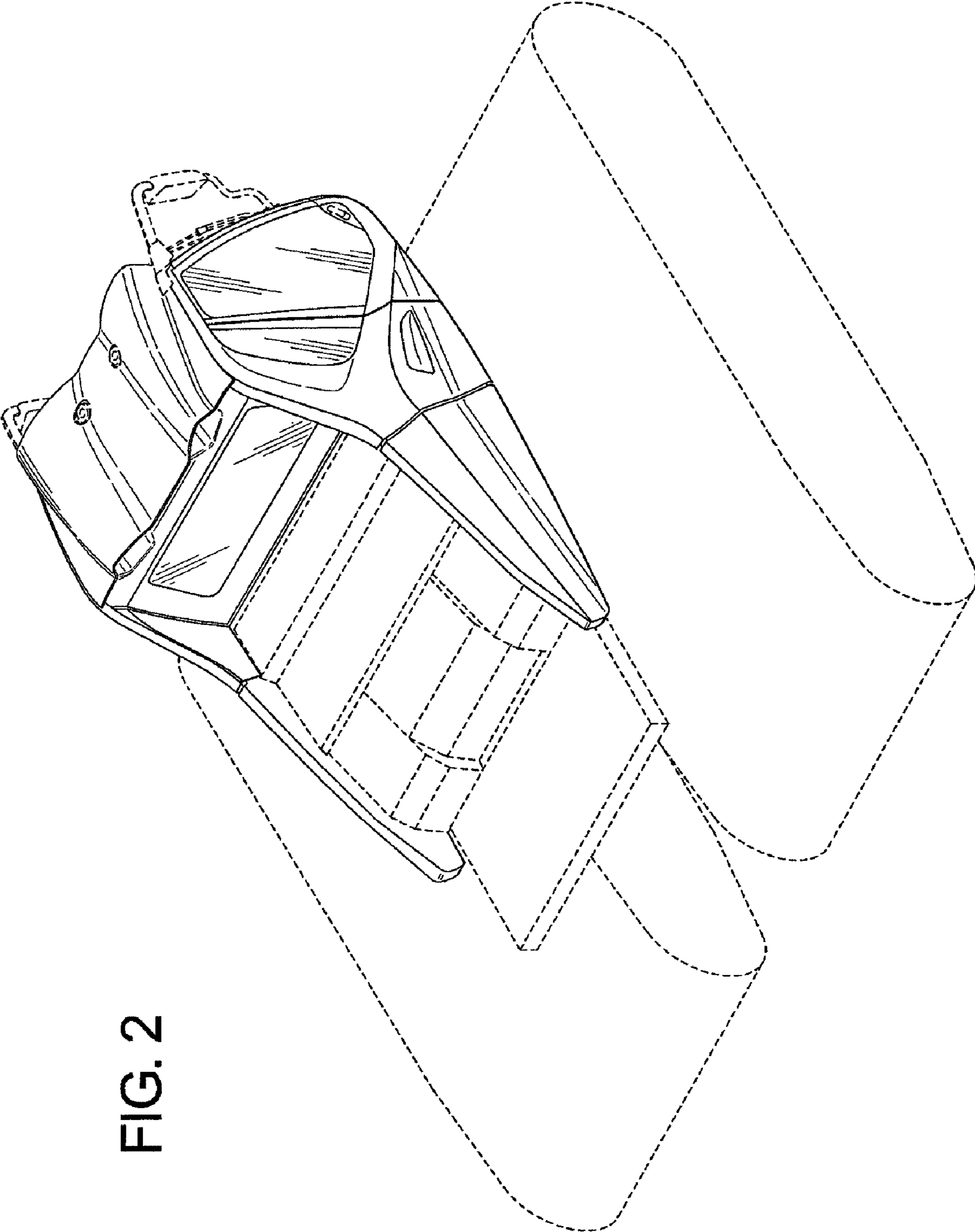


FIG. 2

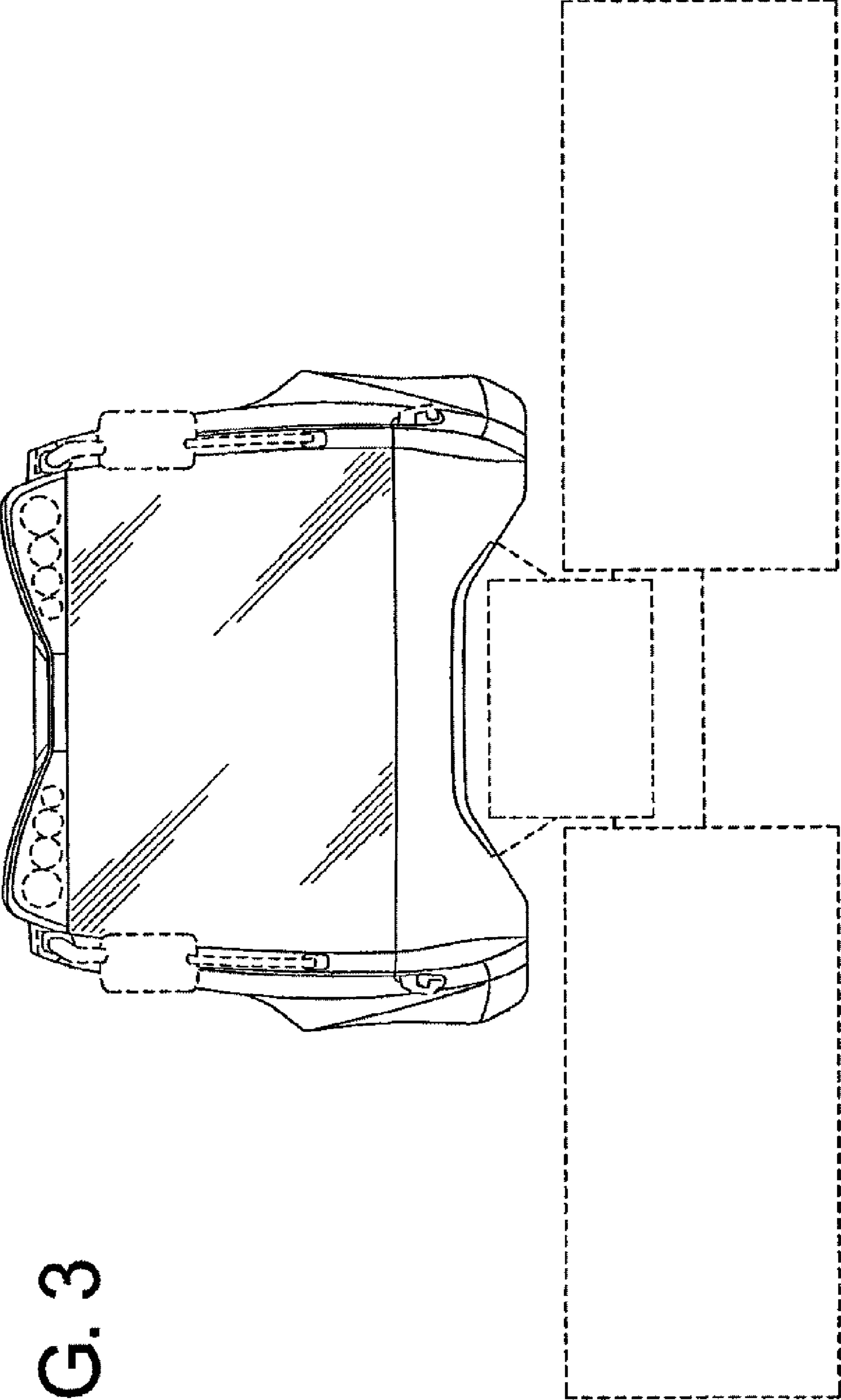


FIG. 3

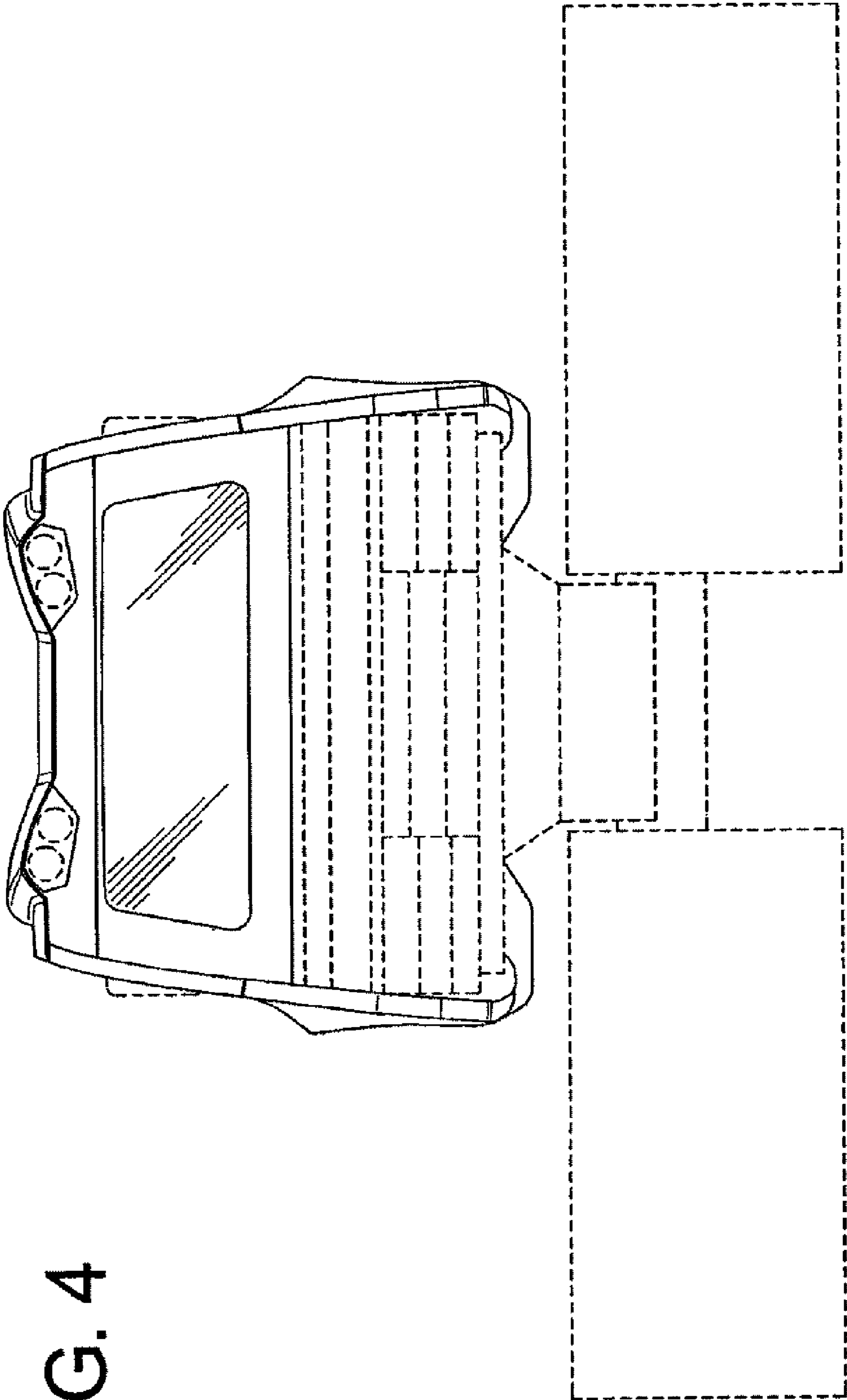


FIG. 4

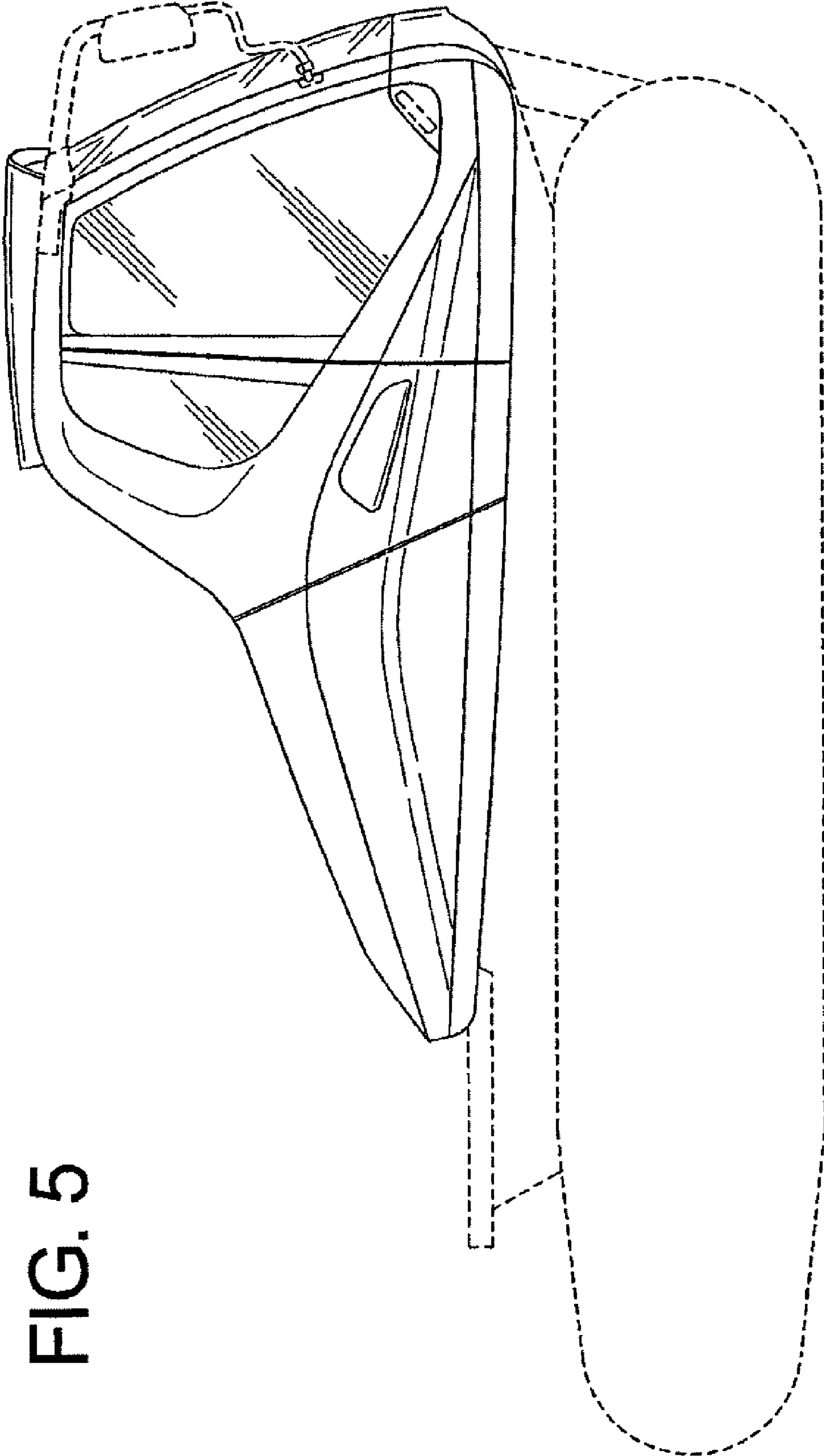
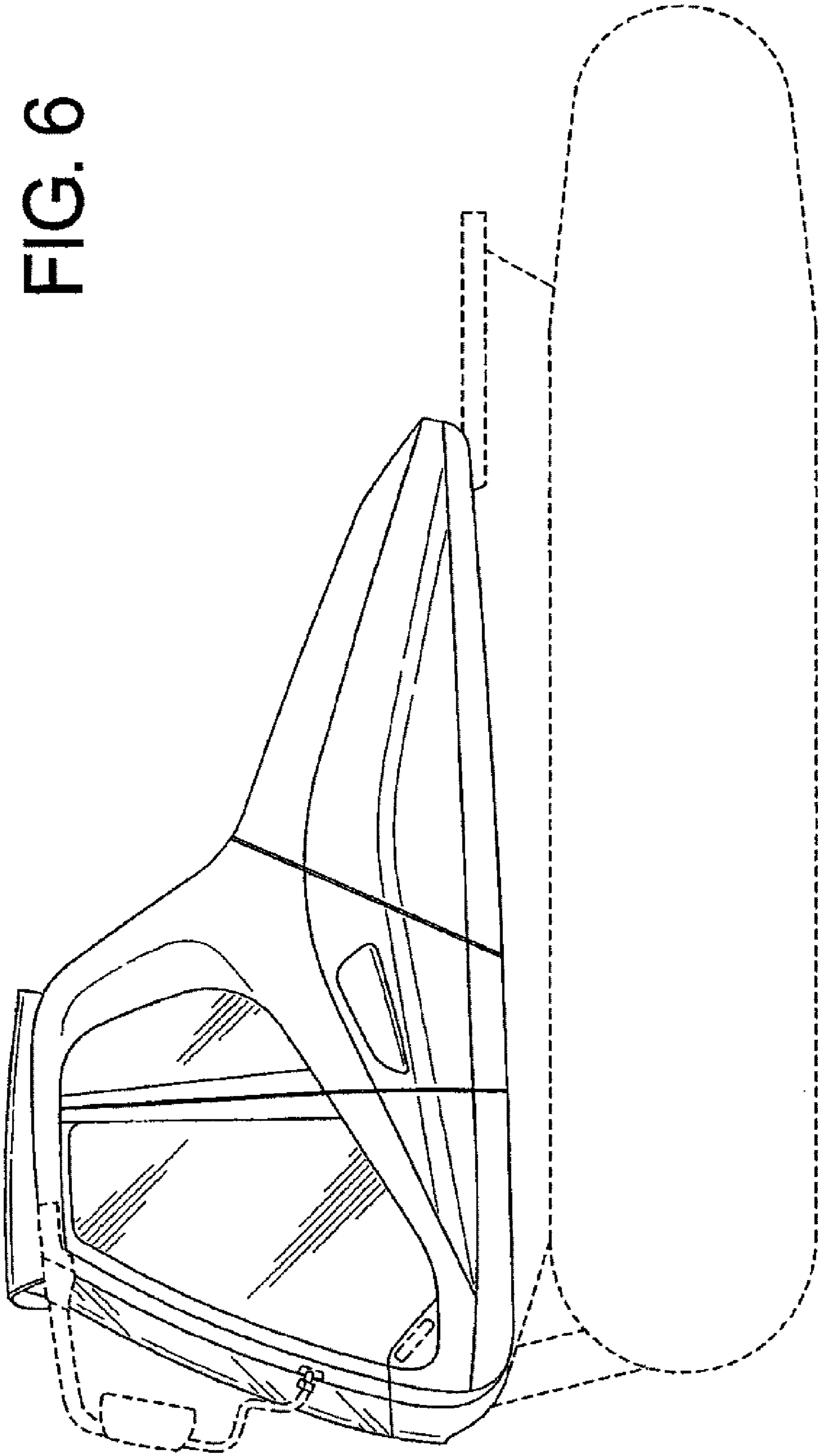


FIG. 5

FIG. 6



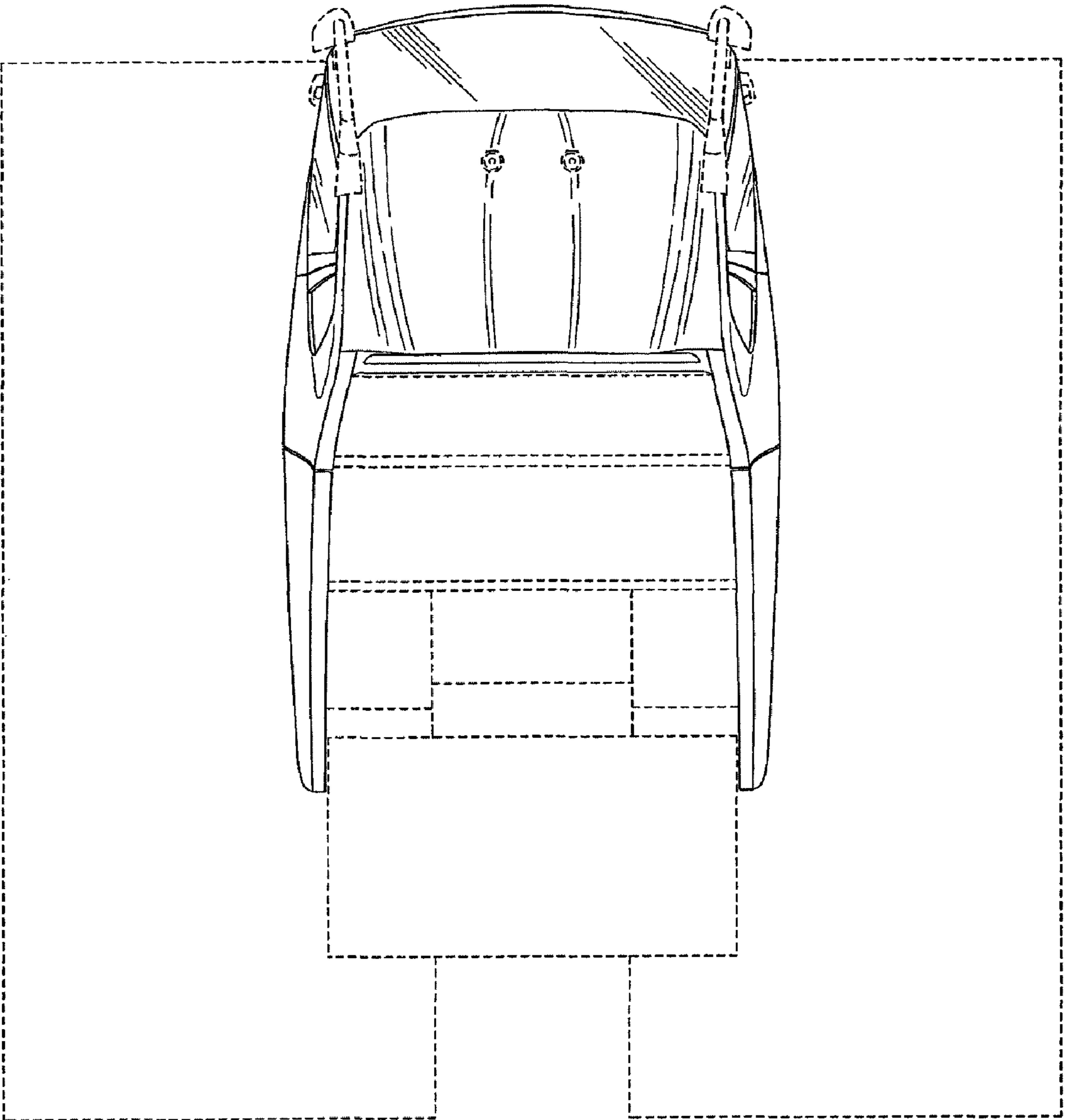


FIG. 7