



US00D630548S

(12) **United States Design Patent**
Kaltman et al.

(10) **Patent No.:** **US D630,548 S**
(45) **Date of Patent:** **** Jan. 11, 2011**

(54) **POT COVER**

5,070,645 A 12/1991 Vaughn
D326,246 S * 5/1992 Weder D11/152
D326,830 S * 6/1992 Vaughn D11/143

(75) Inventors: **Dennis M. Kaltman**, Princeton, NJ
(US); **Richard C. Thibault**, Westchester,
PA (US); **John R. Widener**, Haslett, MI
(US); **Carol J. Moore**, Grand Rapids,
MI (US)

(Continued)

(73) Assignee: **Multi Packaging Solutions**, Lansing,
MI (US)

FOREIGN PATENT DOCUMENTS

GB 2121383 12/1983

(**) Term: **14 Years**

(21) Appl. No.: **29/344,203**

(Continued)

(22) Filed: **Sep. 25, 2009**

(51) **LOC (9) Cl.** **11-02**

Primary Examiner—Holly H Baynham
Assistant Examiner—Michelle E Wilson

(52) **U.S. Cl.** **D11/164**

(74) *Attorney, Agent, or Firm*—Dobrusin & Thennisch PC

(58) **Field of Classification Search** D11/143–145,
D11/149, 152–154, 157, 164, 147; 47/65.5,
47/67, 66.6, 69, 70, 71, 79, 80, 81; 220/574,
220/579; 206/423; 248/27.8; D7/354, 359,
D7/367, 672, 538, 540, 584

(57) **CLAIM**

See application file for complete search history.

The ornamental design for a pot cover, as shown and
described.

(56) **References Cited**

DESCRIPTION

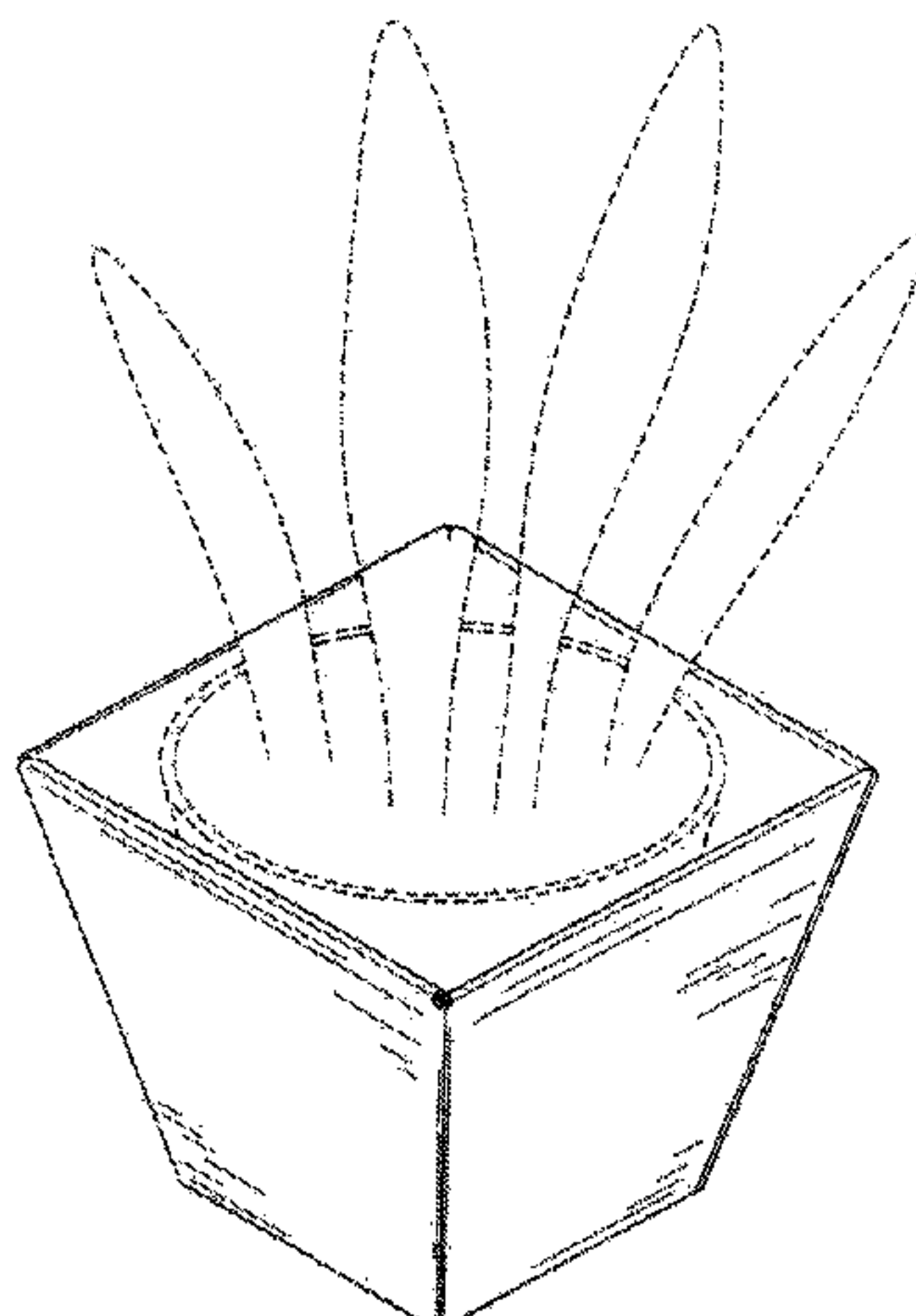
U.S. PATENT DOCUMENTS

329,559 A	11/1885	Hohenstein	
1,046,017 A	12/1912	Reber	
2,391,767 A	12/1945	Beerend	
2,536,530 A	1/1951	Bergstein	
2,944,719 A	7/1960	Arneson	
3,314,194 A	4/1967	Halleck	
3,559,869 A	2/1971	Reynolds	
3,567,106 A	3/1971	Anderson	
3,606,078 A	9/1971	Phillips, Jr.	
3,754,642 A	8/1973	Stidolph	
3,869,828 A	3/1975	Matsumoto	
3,913,823 A	10/1975	Lin	
4,119,265 A	10/1978	Dlugopolski	
4,242,835 A	1/1981	Mondragon Sorribes	
4,260,098 A	4/1981	Manizza et al.	
D317,582 S *	6/1991	Weder D11/164	
5,029,708 A	7/1991	Alonso et al.	

FIG. 1 is a perspective view of the pot cover of our design;
FIG. 2 is a front elevational view of the pot cover, it being
understood that the rear elevational view is the same;
FIG. 3 is a right side elevational view of the pot cover shown
in FIGS. 1 and 2, it being understood that the left side eleva-
tional view is the same;
FIG. 4 is a top plan view of the pot cover; and,
FIG. 5 is a bottom plan view of the pot cover.

The broken line showing of a pot cover is included for the
purpose of illustrating environmental structure and forms no
part of the claimed design.

1 Claim, 3 Drawing Sheets



US D630,548 S

Page 2

U.S. PATENT DOCUMENTS

D327,234 S * 6/1992 Vaughn D11/143
D327,236 S * 6/1992 Weder D11/152
5,174,061 A * 12/1992 Dambricourt 47/72
5,221,248 A * 6/1993 Weder et al. 493/133
5,254,072 A * 10/1993 Weder et al. 493/154
5,284,294 A 2/1994 Floyd
D360,387 S * 7/1995 Weder et al. D11/164
D361,738 S * 8/1995 Shryock D11/164
D363,450 S * 10/1995 Weder et al. D11/164
D398,261 S 9/1998 Weder et al.
6,050,483 A 4/2000 Haraldsson et al.
6,345,467 B1 2/2002 Weder
6,421,959 B1 7/2002 Van Laere

6,561,353 B2 5/2003 Levieux et al.
D480,660 S 10/2003 Faulkner
6,745,514 B1 6/2004 Myrland
6,782,659 B2 8/2004 Van Laere
D572,169 S * 7/2008 De Roeck D11/155
2002/0038527 A1* 4/2002 Weder 47/72
2002/0148159 A1* 10/2002 Weder 47/72
2002/0184821 A1* 12/2002 Campeau 47/72
2008/0060270 A1* 3/2008 Weder 47/72

FOREIGN PATENT DOCUMENTS

GB 2276870 12/1994

* cited by examiner

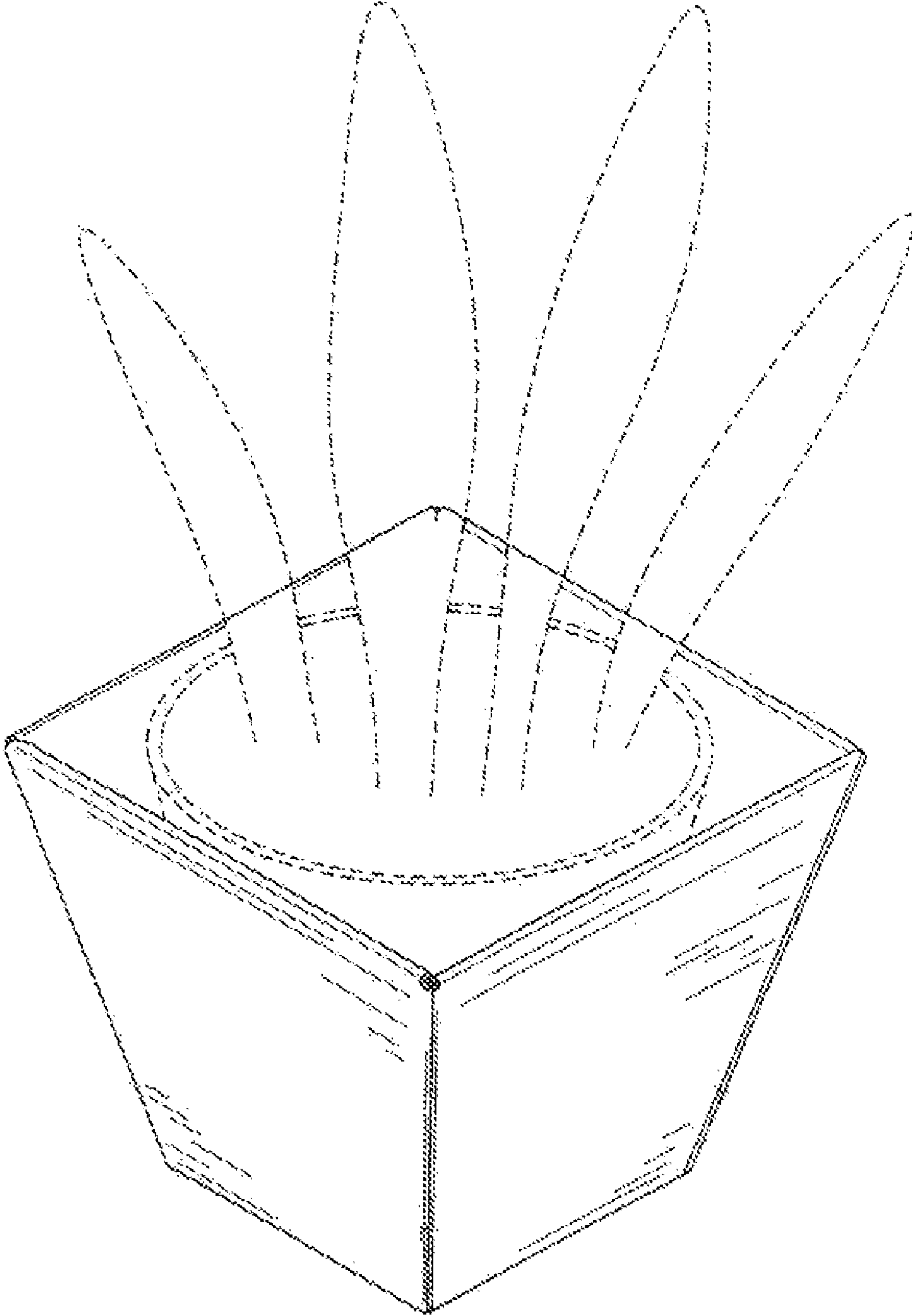


FIG. 1

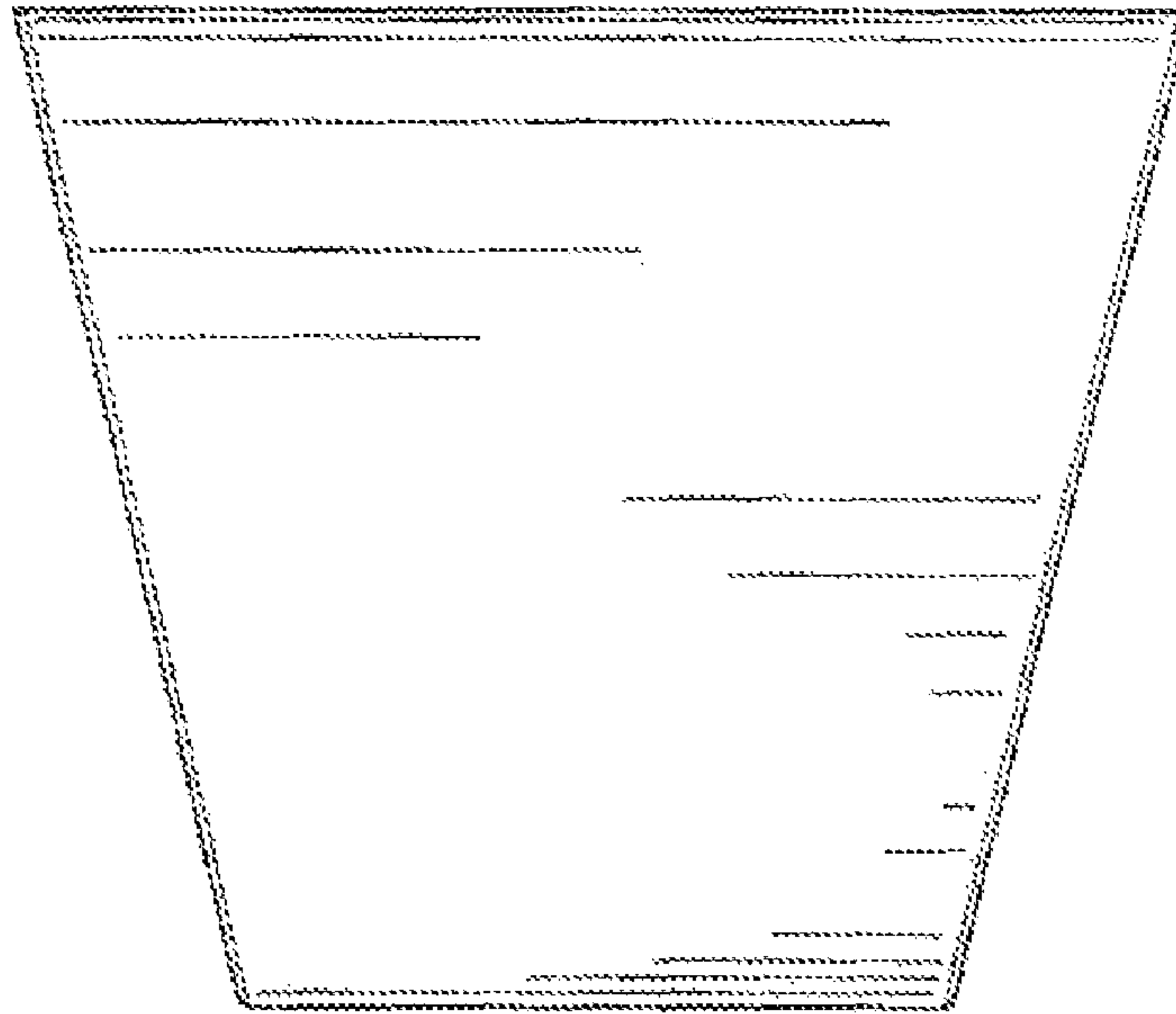


FIG. 2

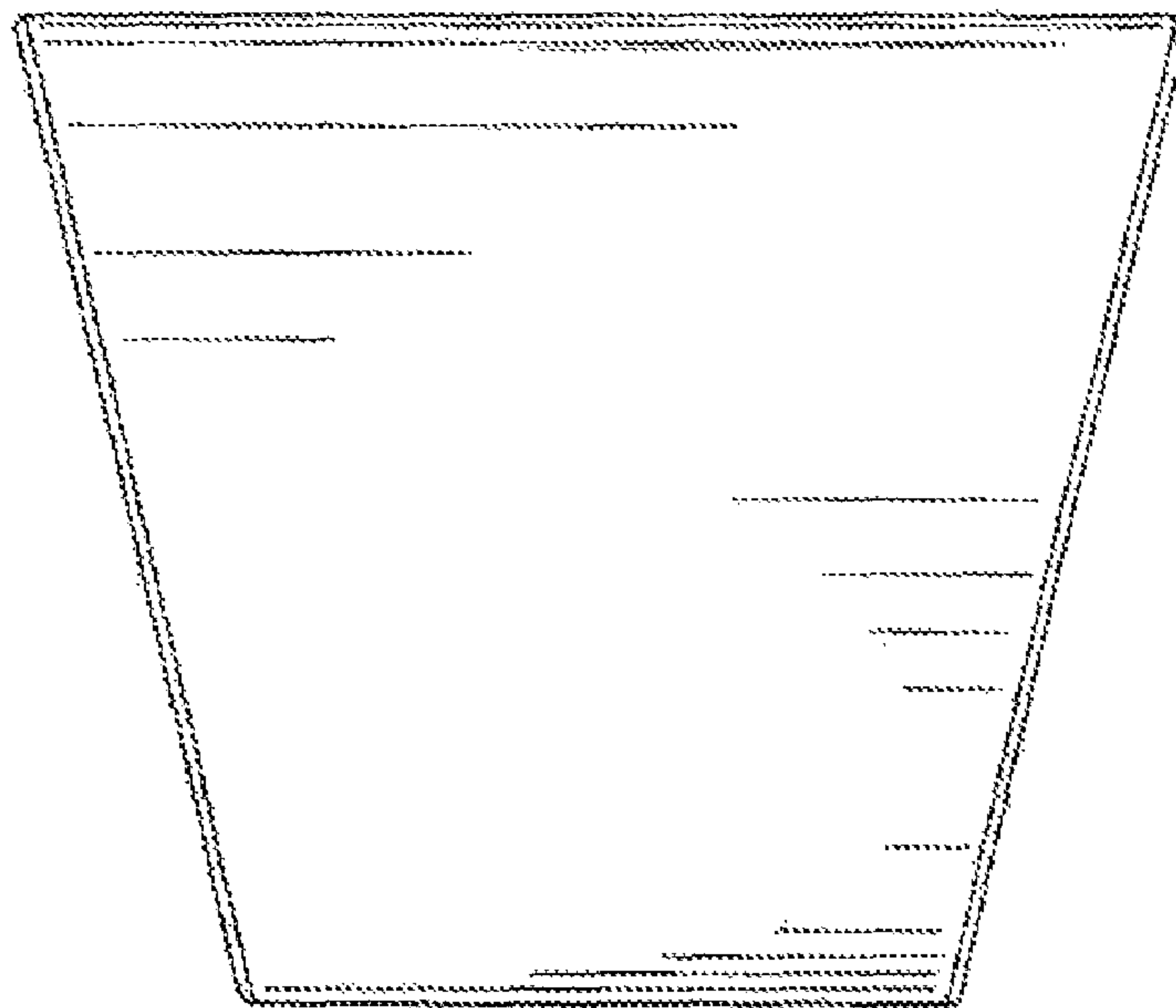


FIG. 3

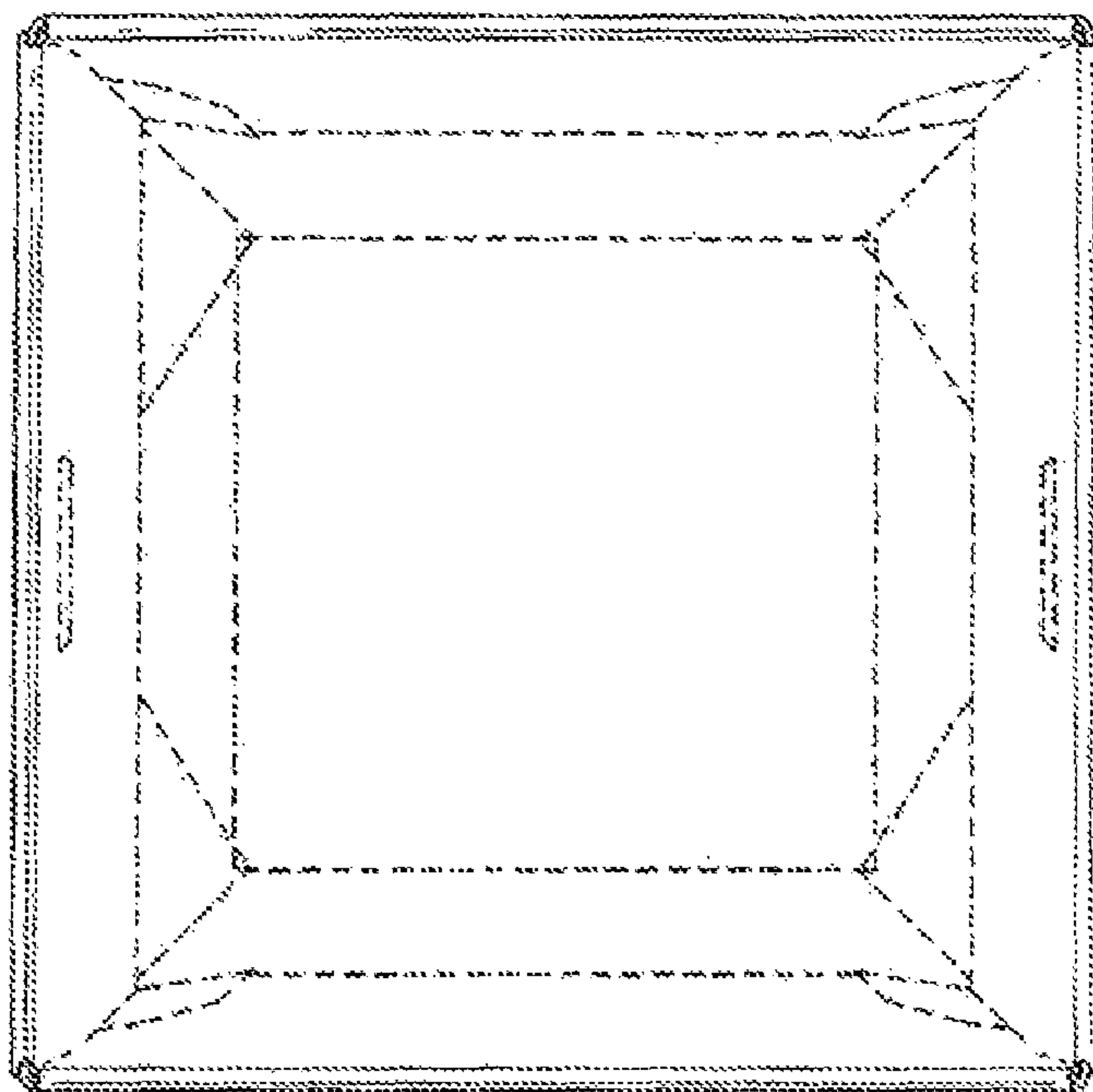


FIG. 4

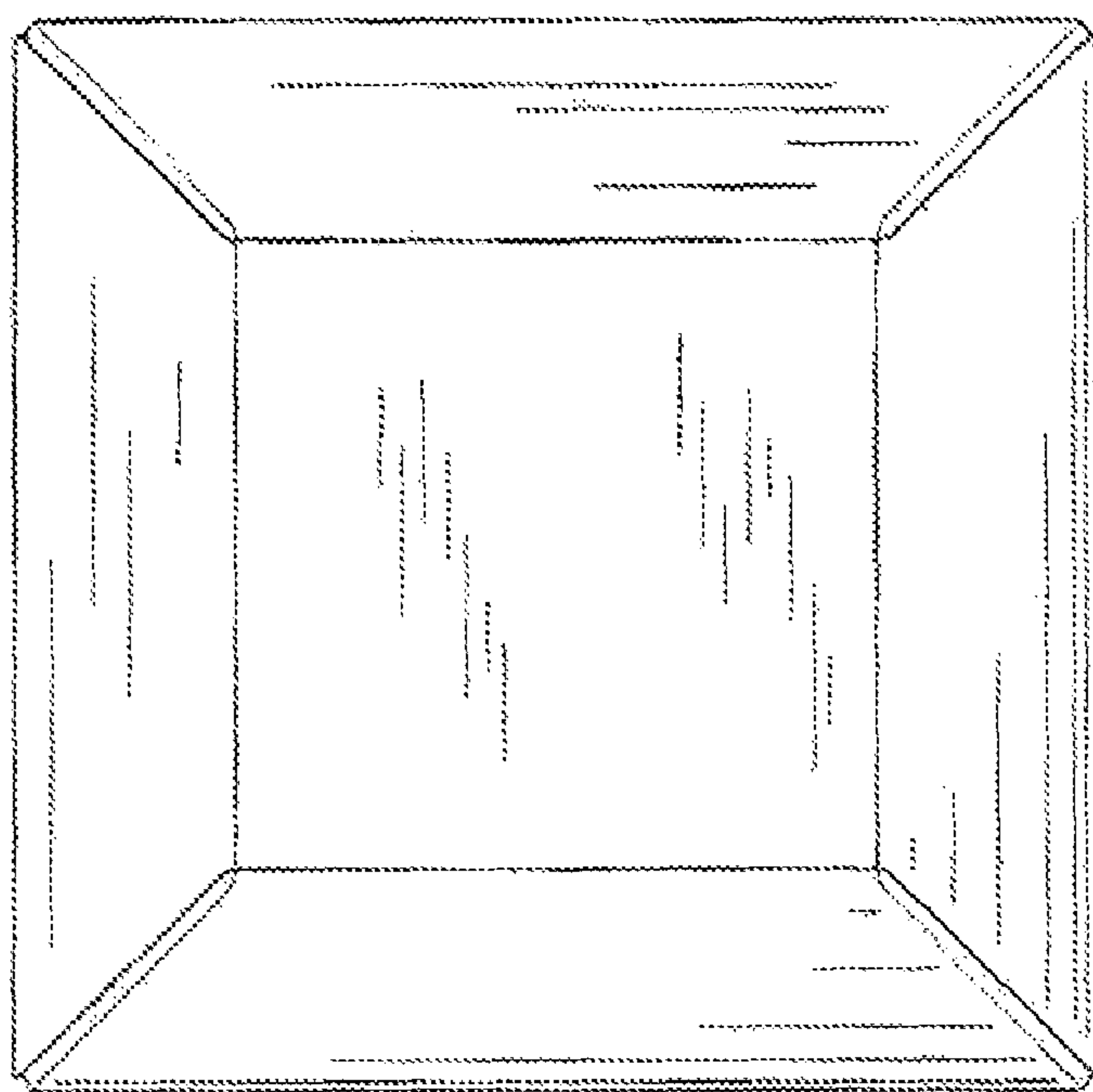


FIG. 5