



US00D630544S

(12) **United States Design Patent**
Sobchenko

(10) **Patent No.:** **US D630,544 S**

(45) **Date of Patent:** **** Jan. 11, 2011**

(54) **GEMSTONE SETTING**

(76) **Inventor:** **Dimitriy Sobchenko**, 21-21 41st Ave.,
Long Island City, NY (US) 11101

(**) **Term:** **14 Years**

(21) **Appl. No.:** **29/318,758**

(22) **Filed:** **May 27, 2008**

(51) **LOC (9) Cl.** **11-01**

(52) **U.S. Cl.** **D11/91**

(58) **Field of Classification Search** D11/89-94,
D11/1, 2, 6-12, 16, 24-28, 34-43, 79, 70,
D11/222, 47, 75; 63/1.11-14.1, 15-15.4,
63/20, 22, 23, 26-33

See application file for complete search history.

(56) **References Cited**

U.S. PATENT DOCUMENTS

208,968	A *	10/1878	Dolloff	63/12
389,446	A *	9/1888	Cziner et al.	63/26
D32,439	S *	4/1900	Gay	D6/491
1,005,564	A *	10/1911	Lightbody	63/32
1,008,419	A *	11/1911	Levi	63/14.7
1,791,567	A *	2/1931	Meyer	63/14.8
D174,740	S *	5/1955	Davidson	D11/75
2,784,512	A *	3/1957	Goodwin	63/23
4,935,268	A *	6/1990	Poll	63/26
5,497,307	A *	3/1996	Bae et al.	63/1.13
D388,010	S *	12/1997	Scheufele	D11/26
6,381,984	B1 *	5/2002	Russo et al.	63/1.15
D460,715	S *	7/2002	Itzkowitz	D11/91
6,584,656	B1 *	7/2003	Karmeli	63/12
6,763,681	B1 *	7/2004	Klundt	63/1.11
D497,120	S *	10/2004	Chia et al.	D11/93
D533,479	S *	12/2006	Dubnicka	D11/91
2009/0100865	A1 *	4/2009	Van Guelpen	63/1.11
2009/0293543	A1 *	12/2009	Sobchenko	63/28

* cited by examiner

Primary Examiner—T. Chase Nelson

(74) *Attorney, Agent, or Firm*—Jennifer Meredith, Esq;
Meredith & Keyhani, PLLC

(57) **CLAIM**

The ornamental design for a gemstone setting, as shown and described.

DESCRIPTION

FIG. 1 is a top perspective view of a gemstone setting according to the present invention, the gemstone cut shown in broken line forming no part of the claimed design;

FIG. 2 is a bottom perspective view of a gemstone setting according to the present invention, the gemstone cut shown in broken line forming no part of the claimed design;

FIG. 3 is a top view of a gemstone setting according to the present invention, the gemstone cut shown in broken line forming no part of the claimed design;

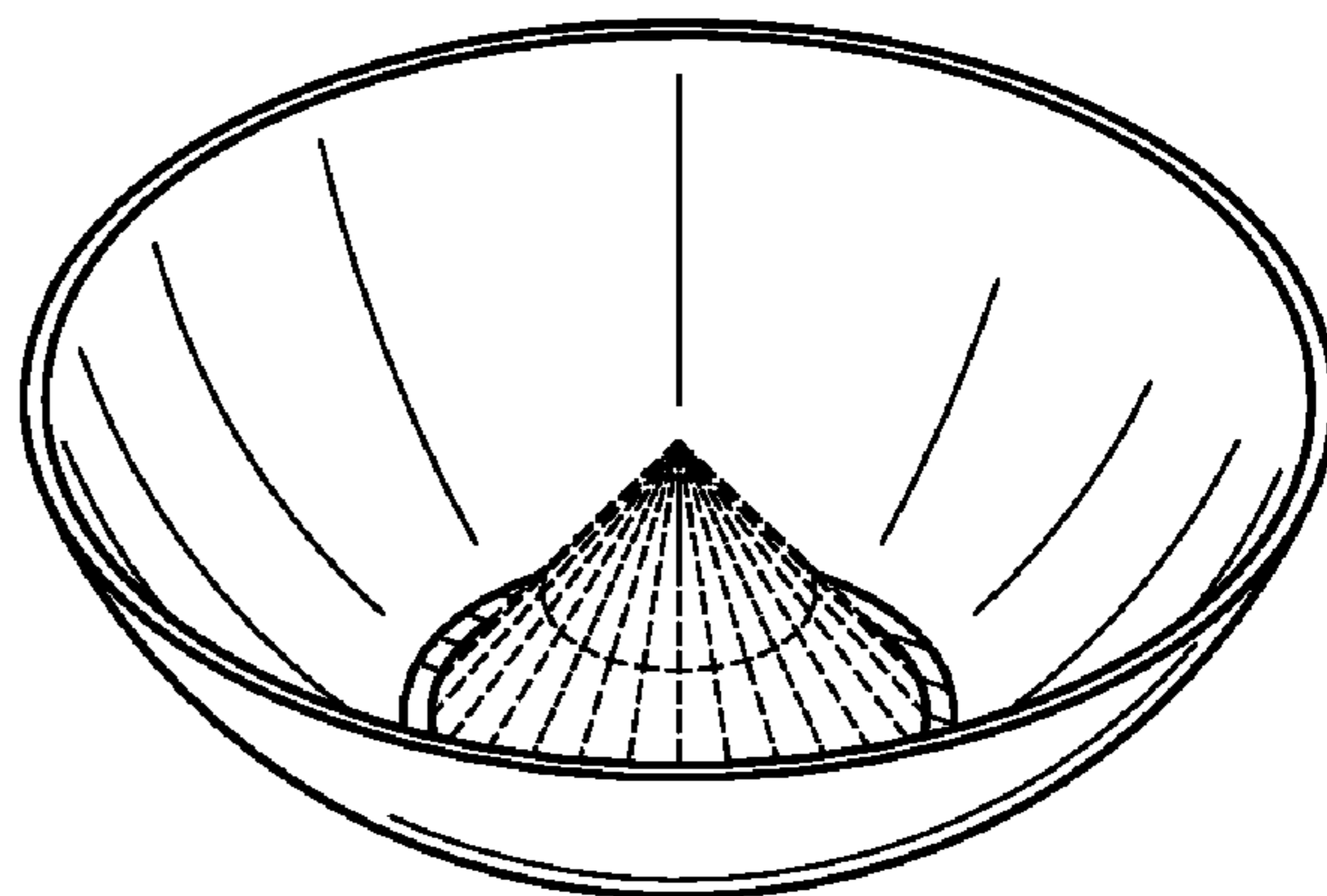
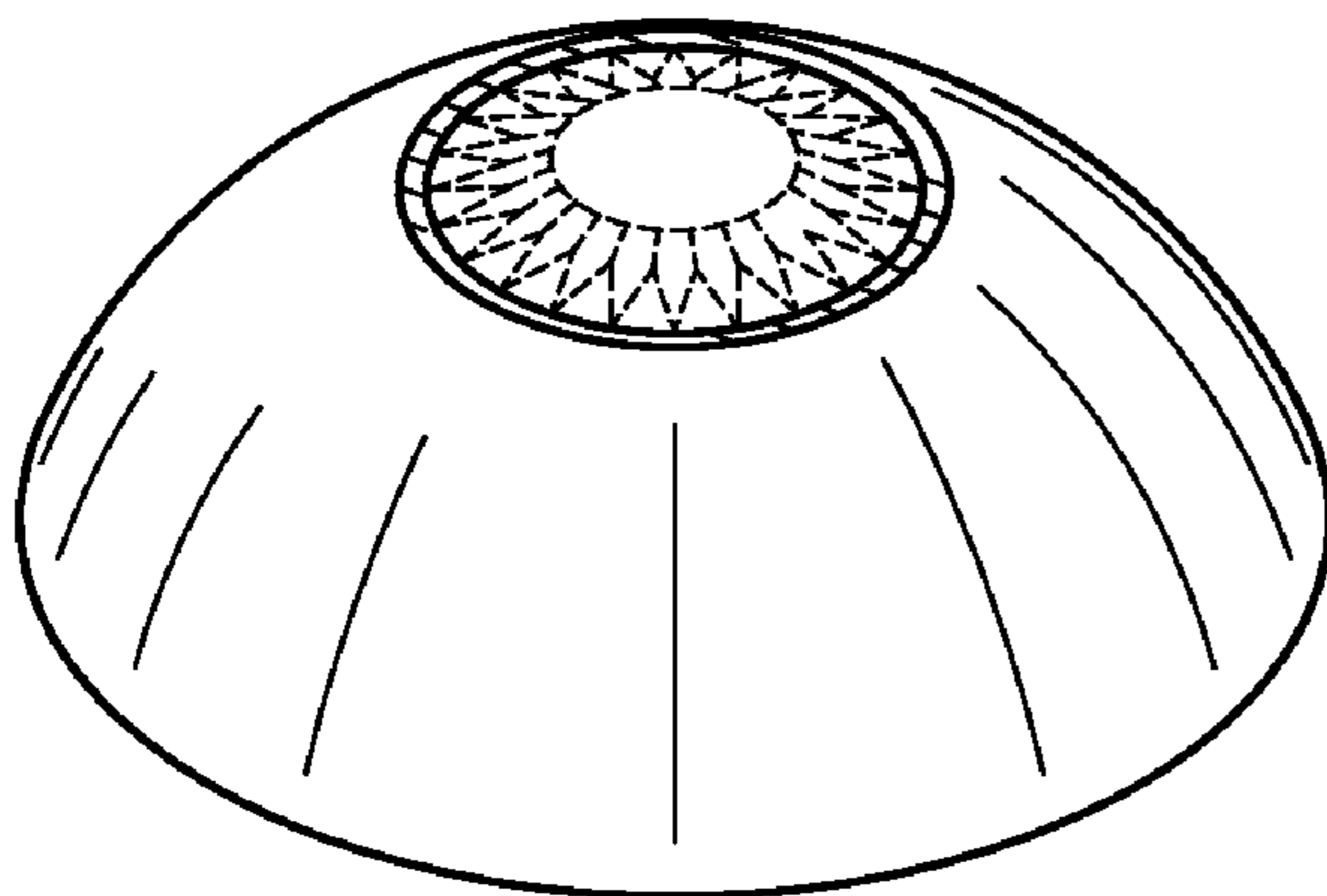
FIG. 4 is a bottom view of a gemstone setting according to the present invention, the gemstone cut shown in broken line forming no part of the claimed design;

FIG. 5 is a side view of a gemstone setting according to the present invention, the gemstone cut shown in broken line forming no part of the claimed design;

FIG. 6 is a top view of a gemstone setting according to the present invention; the bracelet additional gemstone setting, and gemstones shown in broken line forming no part of the claimed design; and,

FIG. 7 is a top view of a gemstone setting according to the present invention, the ring, additional gemstone setting, and gemstones shown in broken line forming no part of the claimed design.

1 Claim, 3 Drawing Sheets



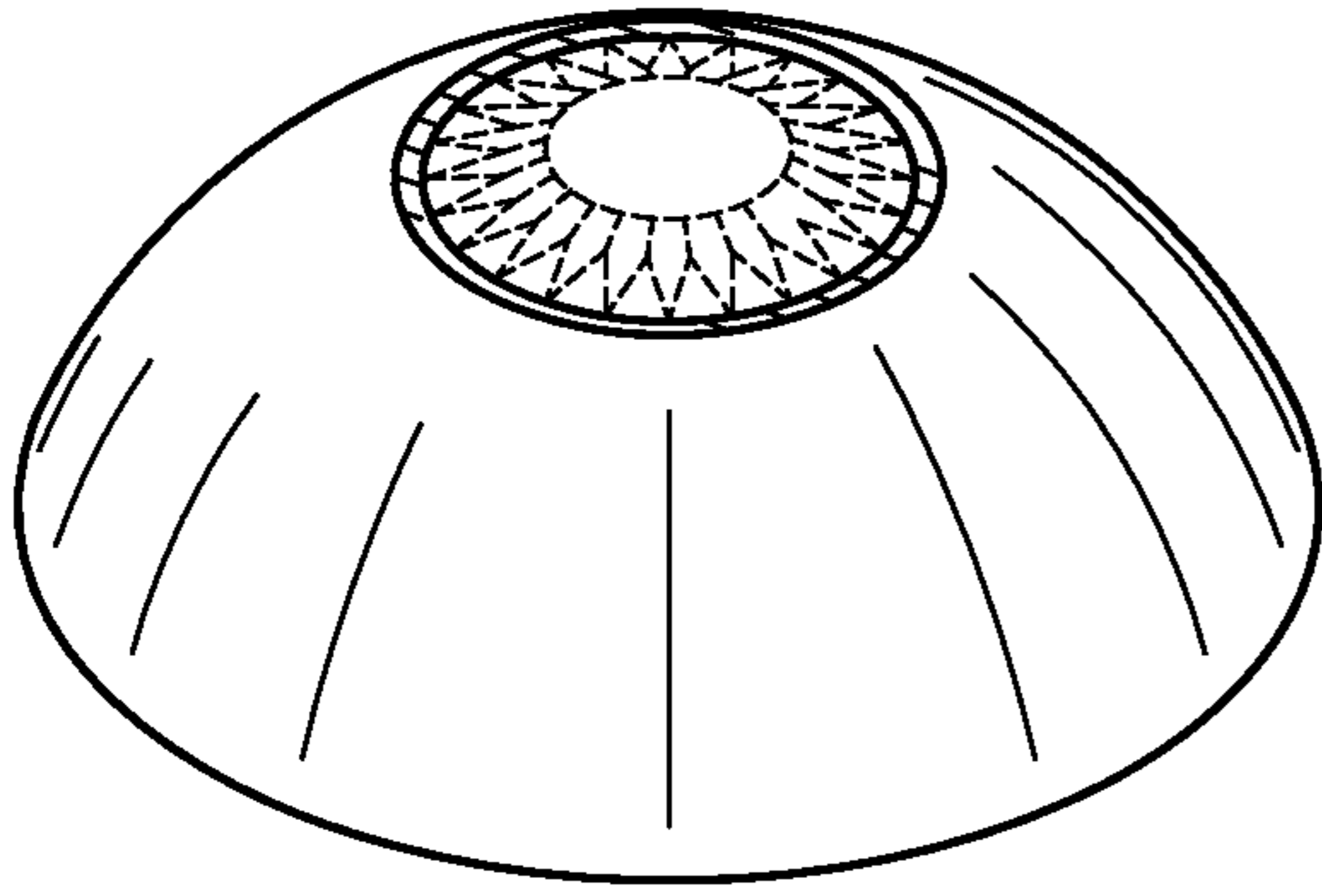


FIG. 1

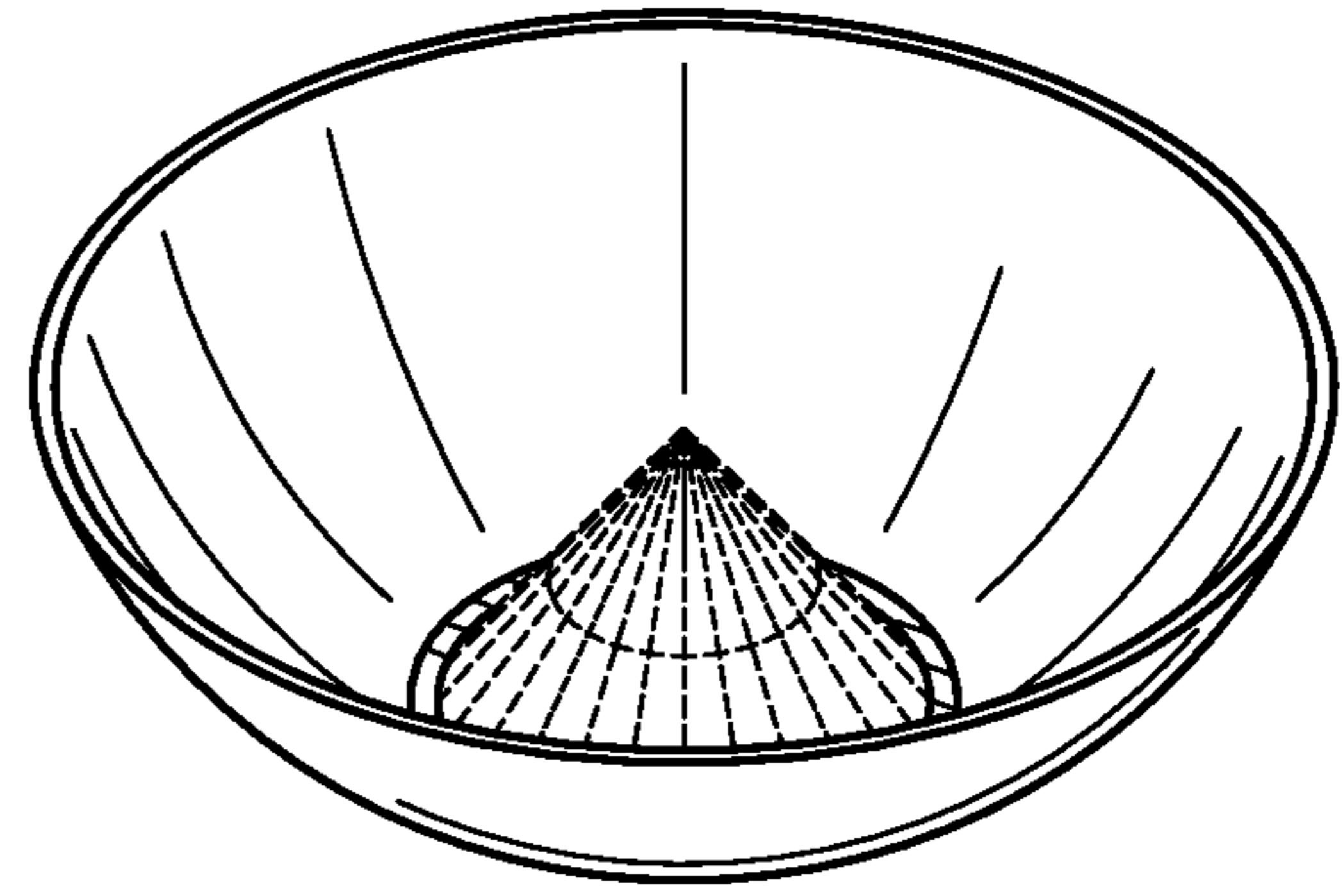


FIG. 2

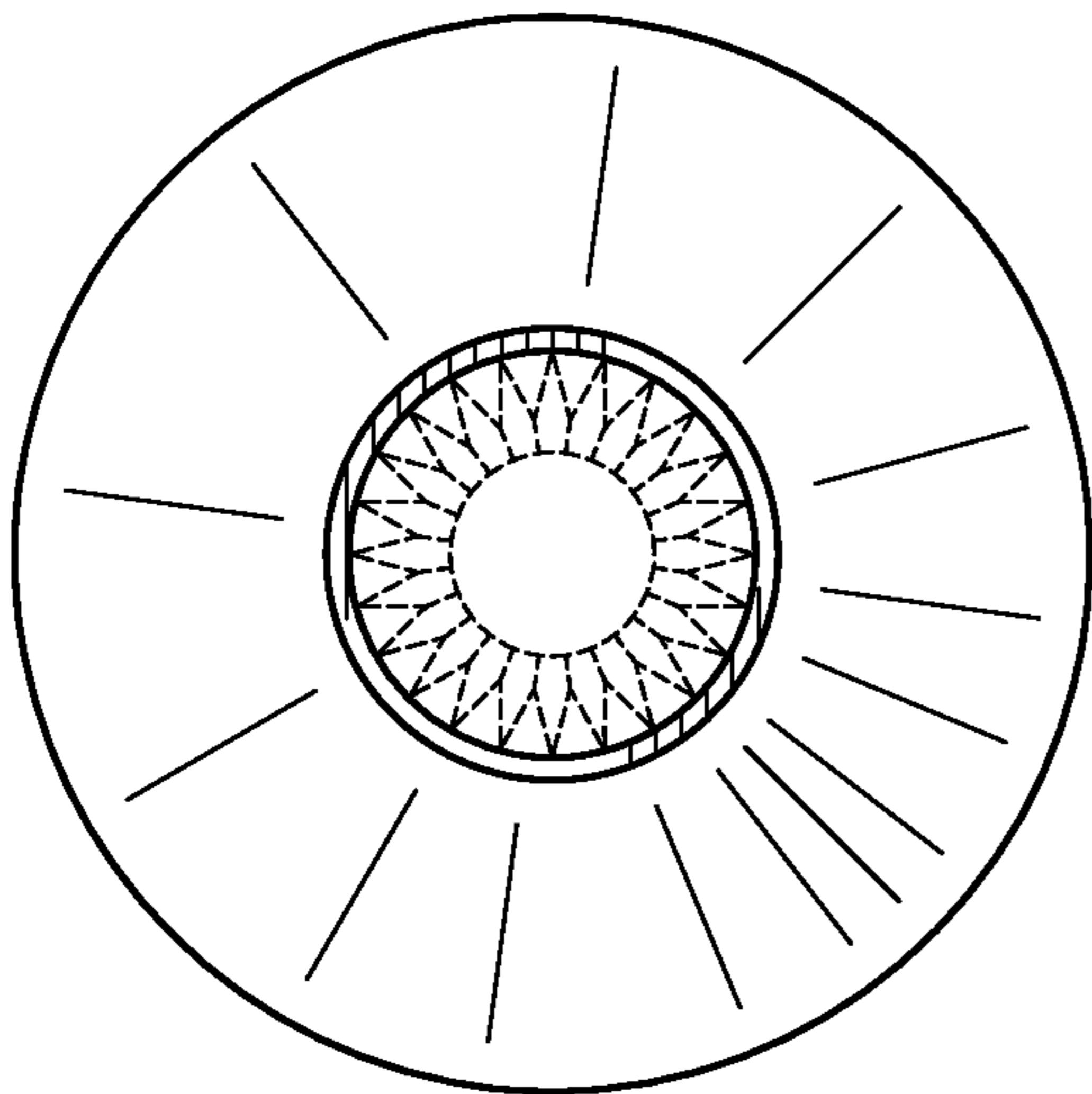


FIG. 3

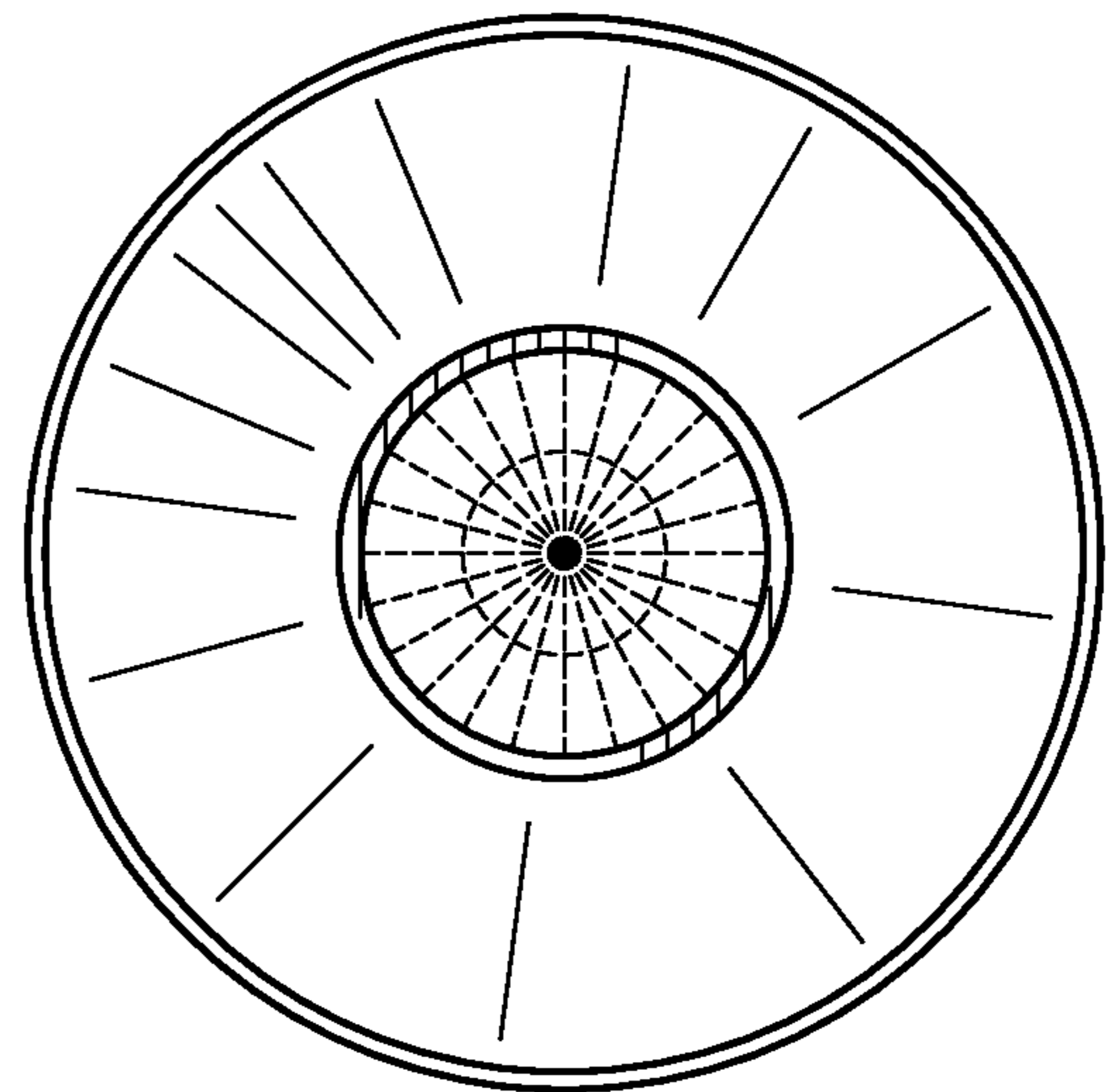


FIG. 4

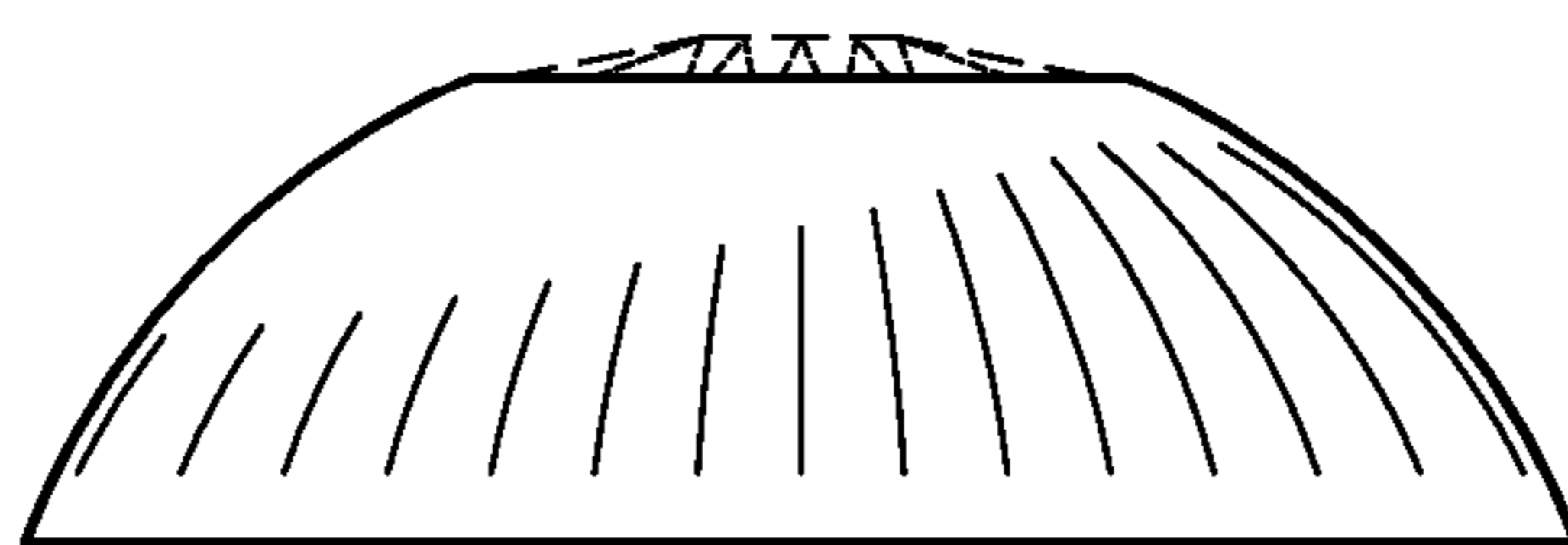


FIG. 5

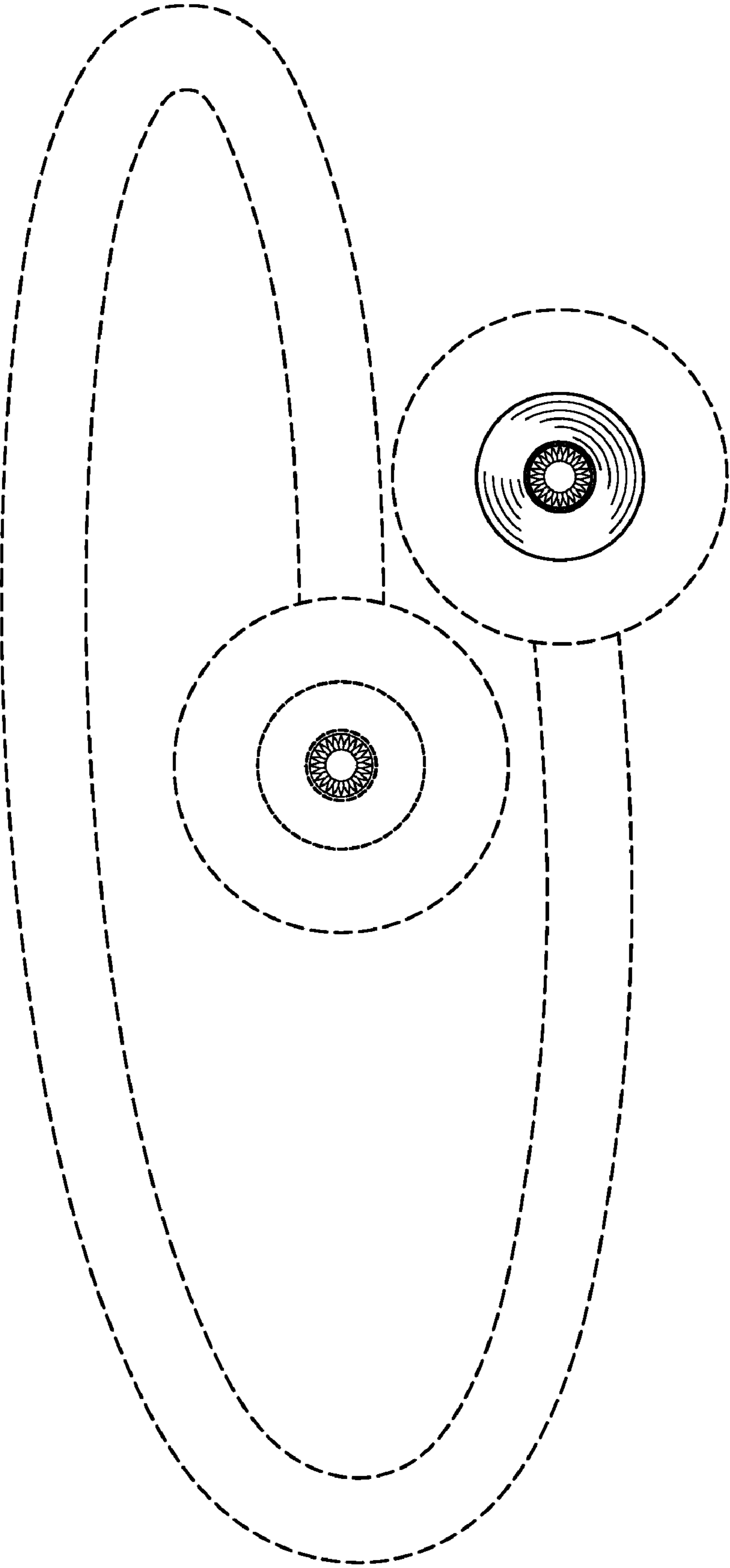


FIG. 6

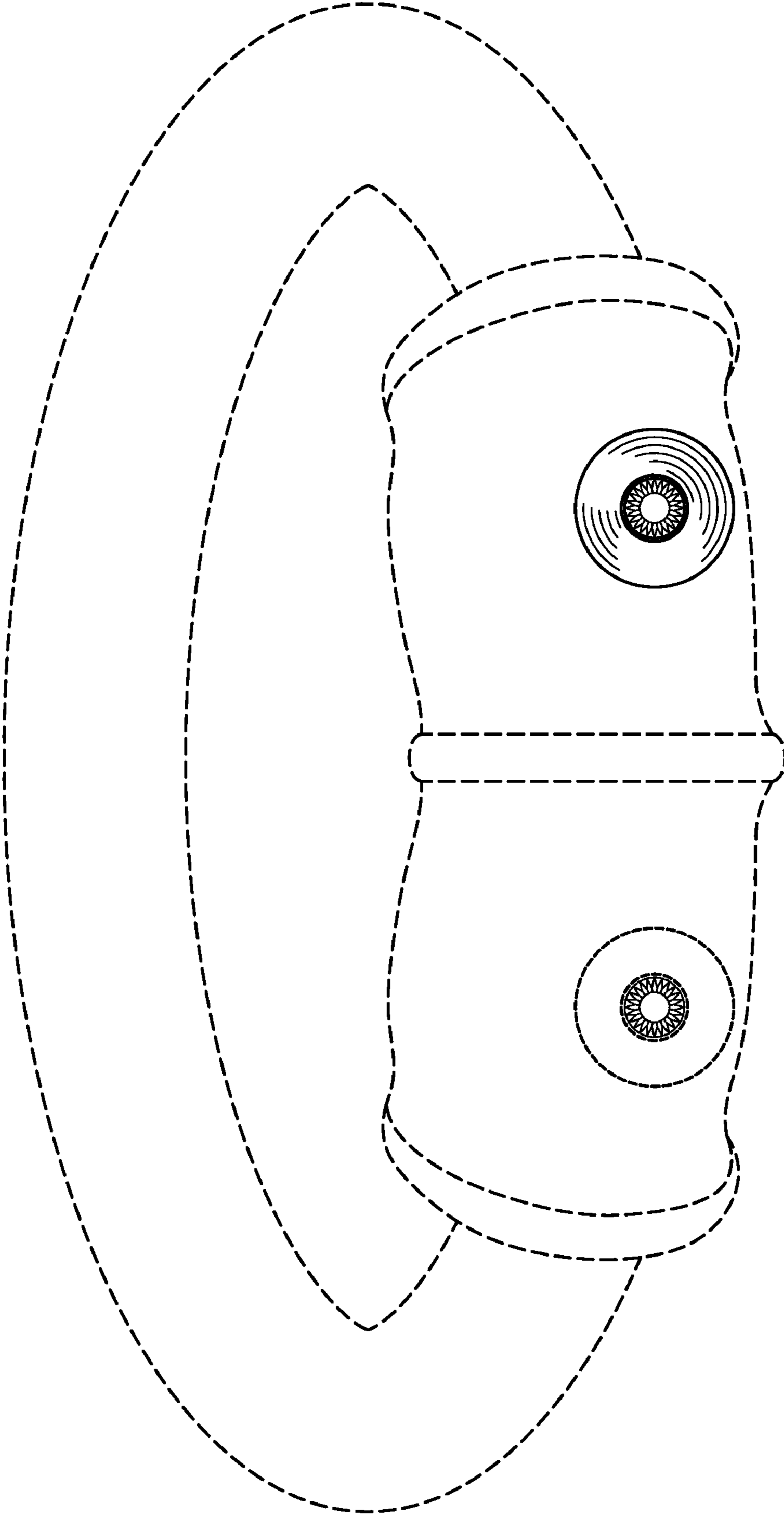


FIG. 7