



US00D630539S

(12) **United States Design Patent**
Barley et al.

(10) **Patent No.:** **US D630,539 S**

(45) **Date of Patent:** **** Jan. 11, 2011**

(54) **ELECTRONIC ANIMAL CALL**

(75) Inventors: **Christopher B. Barley**, Grand Prairie, TX (US); **James Brandon Roach**, Grand Prairie, TX (US)

(73) Assignee: **WGI Innovations, Ltd.**, Grand Prairie, TX (US)

(**) Term: **14 Years**

(21) Appl. No.: **29/361,570**

(22) Filed: **May 12, 2010**

(51) **LOC (9) Cl.** **10-05**

(52) **U.S. Cl.** **D10/119**

(58) **Field of Classification Search** D10/116-120; 446/402, 204-206, 213; 116/137 R; D14/187
See application file for complete search history.

(56) **References Cited**

U.S. PATENT DOCUMENTS

D189,354 S *	11/1960	Taylor	D14/187
D271,968 S *	12/1983	Segan et al.	D14/187
5,859,915 A *	1/1999	Norris	381/75
D488,736 S *	4/2004	Wiggerman	D10/120
D508,720 S *	8/2005	Yuen	D21/405
D568,195 S *	5/2008	Solow	D10/120
D605,067 S *	12/2009	Dir	D10/119

OTHER PUBLICATIONS

Gander Mountain, Extreme Dimensions Mini Phantom Digital Predator Call, 2 web pages; Extreme Dimensions Mini Phantom Digital Call Speaker, 1 web page; Extreme Dimensions Mini Phantom Remote Digital Call, 2 web pages; Cass Creek Electronic Fox Call, 2 web pages; Cass Creek Mini Series Predator Electronic Call, 2 web pages; Cass Creek Nomad Series Predator Call, 2 web pages;

FoxPro SpitFire Digital Call, 2 web pages; FoxPro Fury 1000 Digital Game Call, 2 web pages; gandermountain.com/.../details.cgi?i=4..., Mar. 19, 2010.

Cass Creek, Nomad Wild Boar Receiver Only, casscreek.com/.../69-Nomad-Wild-Boar..., 1 web page; Big Horn Remote Speaker, casscreek.com/.../65-Ampli-Fire-Moose-..., 1 web page, Mar. 19, 2010.

Cabela's, FoxPro TX-500 Fury Electronic Caller, 2 web pages; Western Rivers Nite Stalker Electronic Call, 2 web pages; Western Rivers Apache Game Caller, 2 web pages; Primos Power Dogg Electronic Call, 2 web pages, cabelas.com/.../standard-item.jsp?id=0..., Mar. 19, 2010.

(Continued)

Primary Examiner—Caron Veynar

Assistant Examiner—George D Kirschbaum

(74) *Attorney, Agent, or Firm*—Geoffrey A. Mantooth

(57) **CLAIM**

The ornamental design for an electronic animal call, as shown and described.

DESCRIPTION

FIG. 1 is an isometric top, left and front side view of an electronic animal call, showing our new design;

FIG. 2 is an isometric top, left and rear side view thereof;

FIG. 3 is a front side view thereof;

FIG. 4 is a rear side view thereof;

FIG. 5 is a top side view thereof;

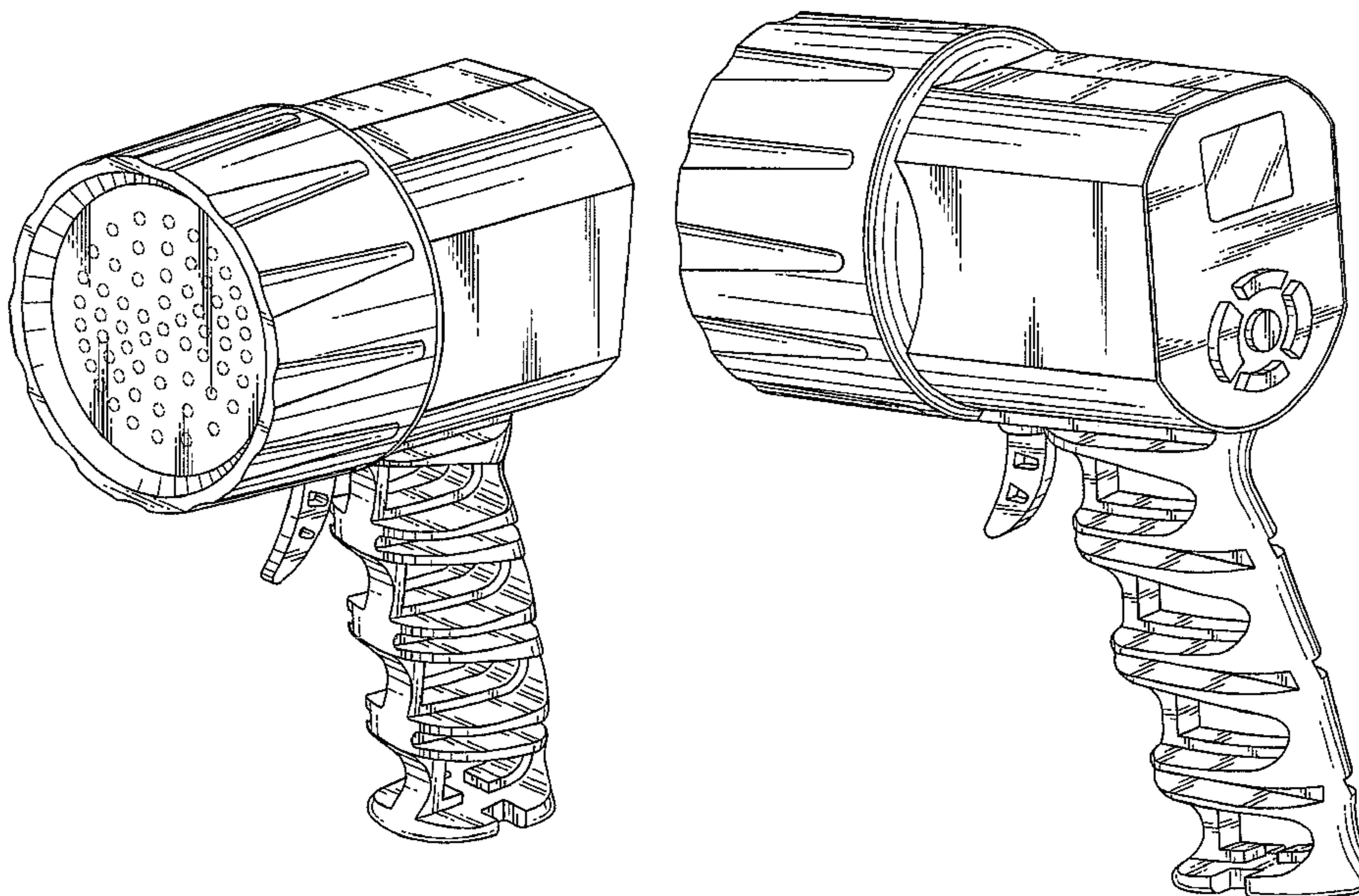
FIG. 6 is a bottom side view thereof;

FIG. 7 is a right side view thereof; and,

FIG. 8 is a left side view thereof.

The portions of the article in broken lines are for illustrative purposes only and form no part of the claimed design.

1 Claim, 7 Drawing Sheets



OTHER PUBLICATIONS

Midway USA, Fox Pro FX3 Electronic Predator Game Call, midwayusa.com/viewProduct/?product..., 2 web pages, Mar. 19, 2010.

Primos Hunting Calls, Electronic Calls, ...primos.com/c-8-electronic calls.aspx, 1 web page; e-Deer Electronic Calls, shop.primos.com/pc-789-8-e-deer.aspx. 2 web pages, Mar. 19, 2010.

GameCalls.Net, Johnny Stewart Attractor Crow Call 1 w/Remote, gamecalls.net/.../Johnny_Stewart_attra..., 1 web page; Western Riv-

ers Predation Deer Mini, 1 web page, gamecalls.net/.../Western_Rivers_Pred...; Woods Wise Replicator Digital Coyote..., gamecalls.net/.../Woods_Wise_Replicat..., 1 web page; Knight & Hale Total eCall..., gamecalls.net/.../Knight_Hale_Total_eC..., 2 web pages, Mar. 19, 2010.

Johnny Stewart Wildlife Calls, Preymaster Digital Caller, 1 web page; Wireless Preymaster Digital Caller, 1 web page, johnnystewart.com/.../update_display.c..., Mar. 19, 2010.

* cited by examiner

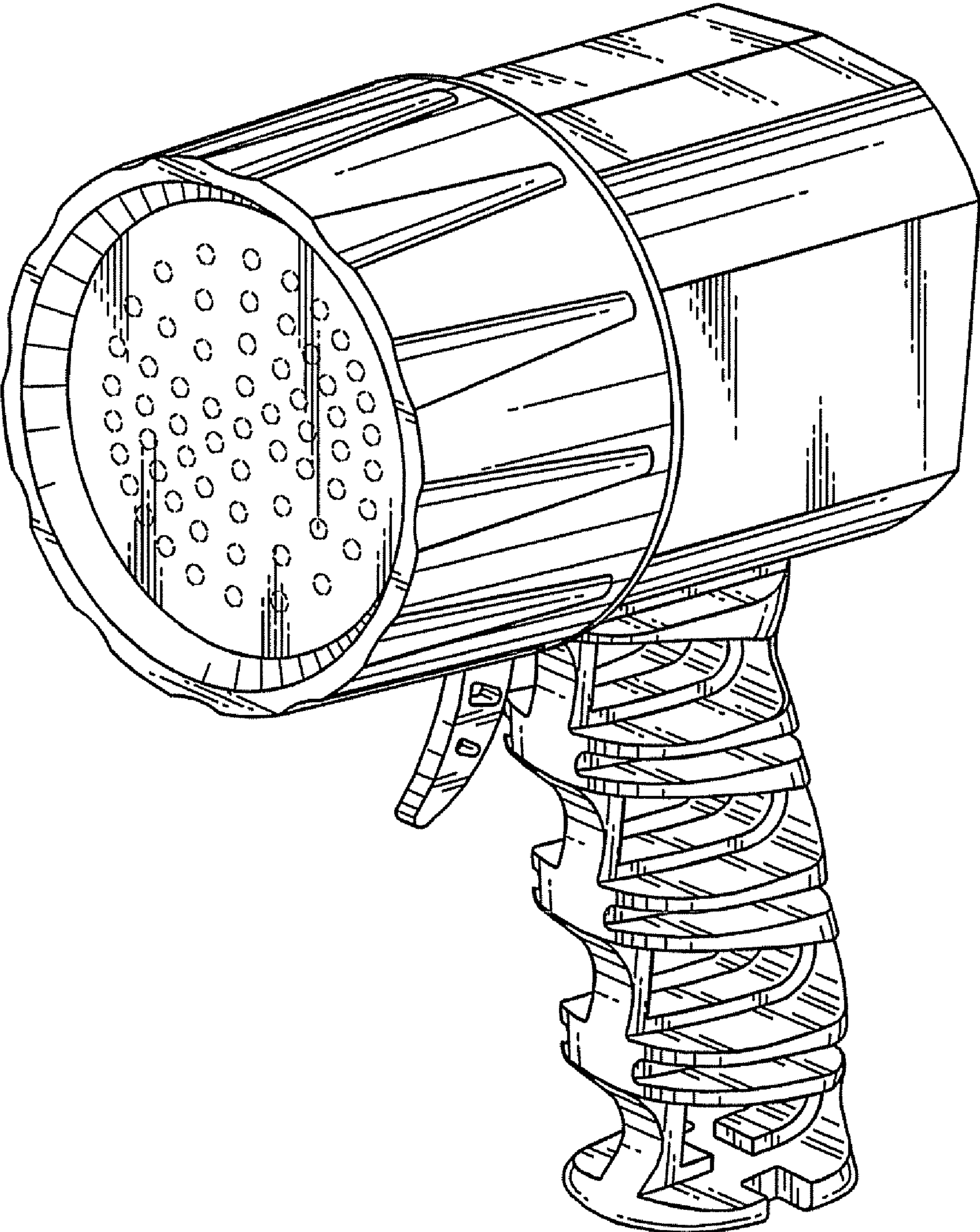


Fig. 1

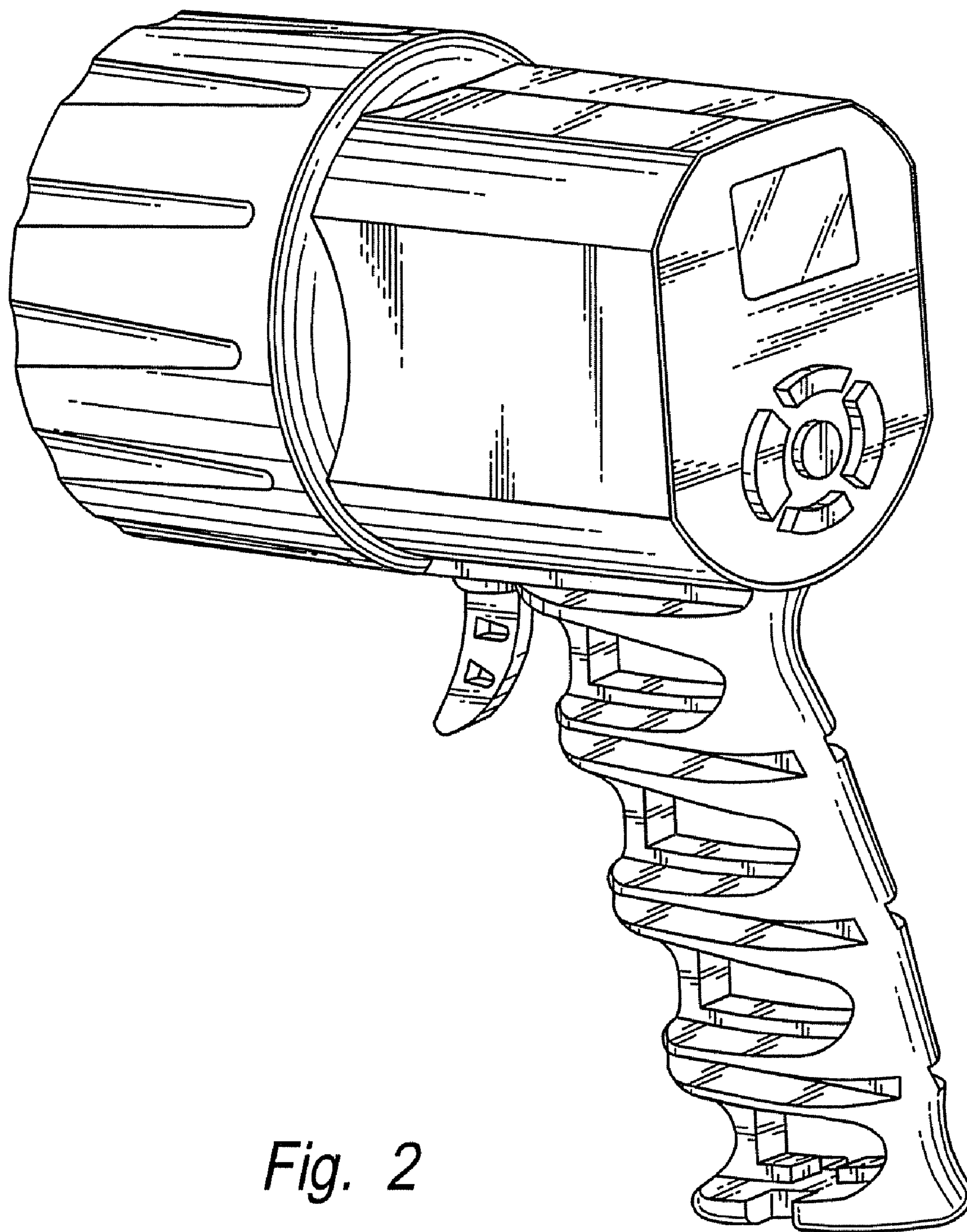


Fig. 2

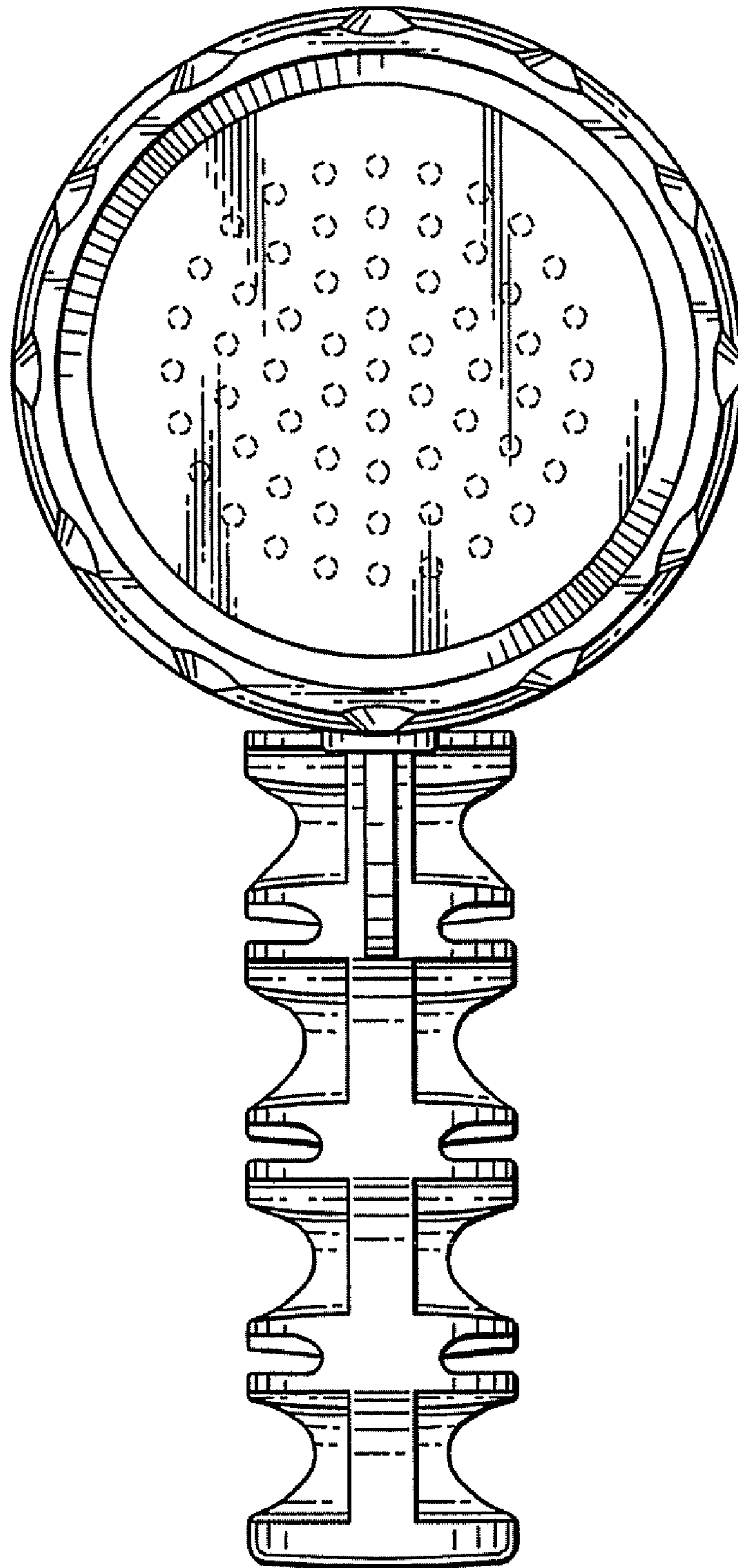


Fig. 3

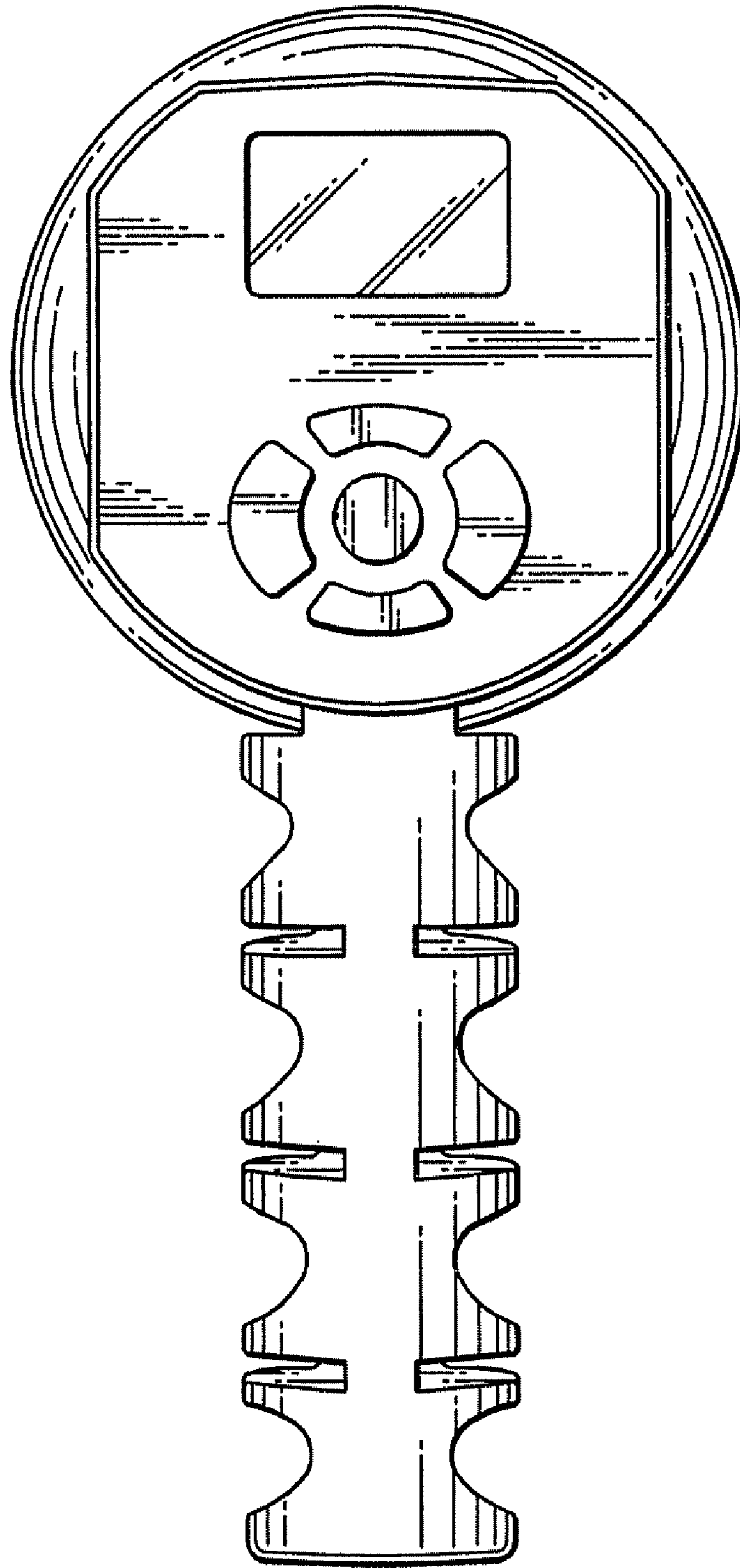


Fig. 4

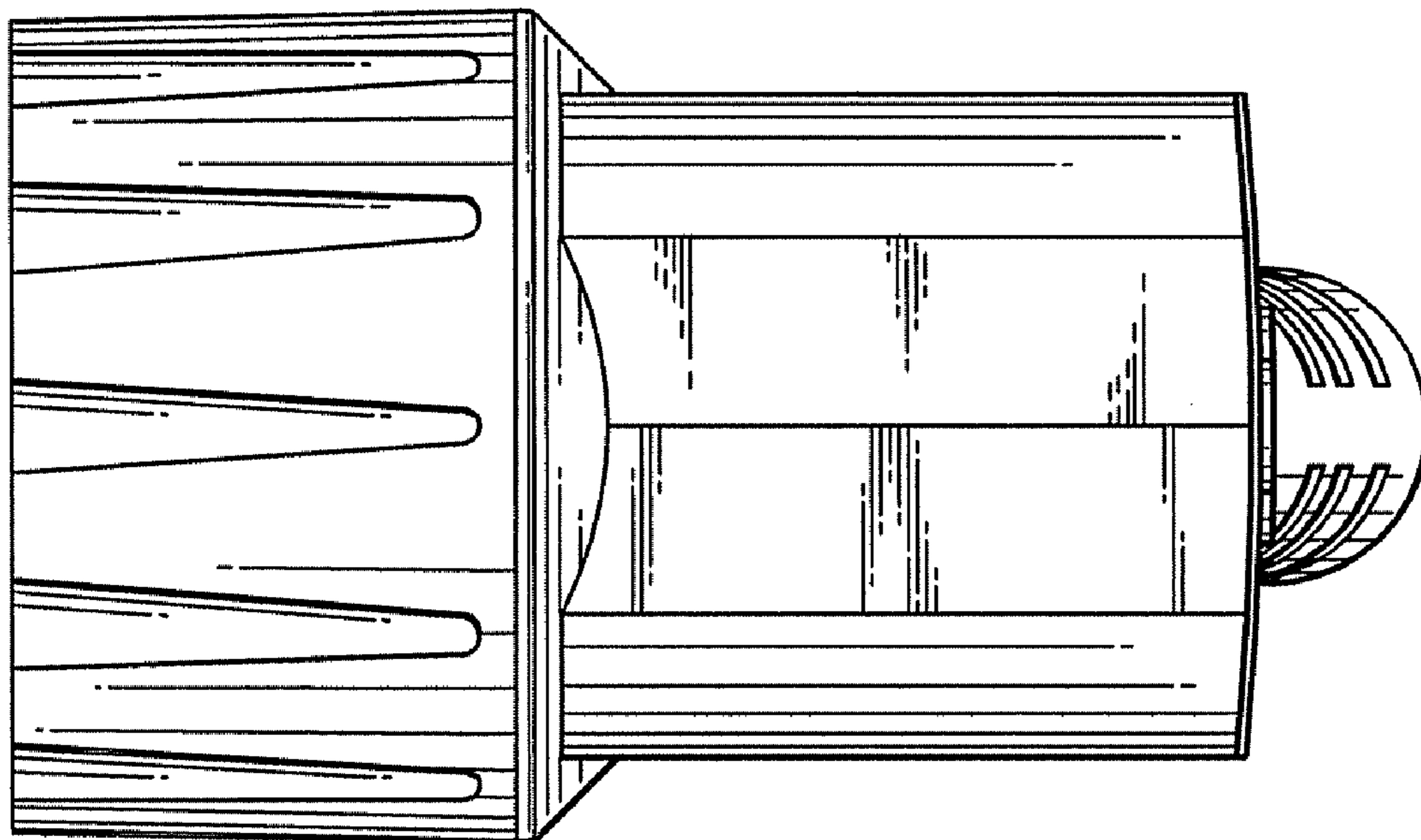


Fig. 5

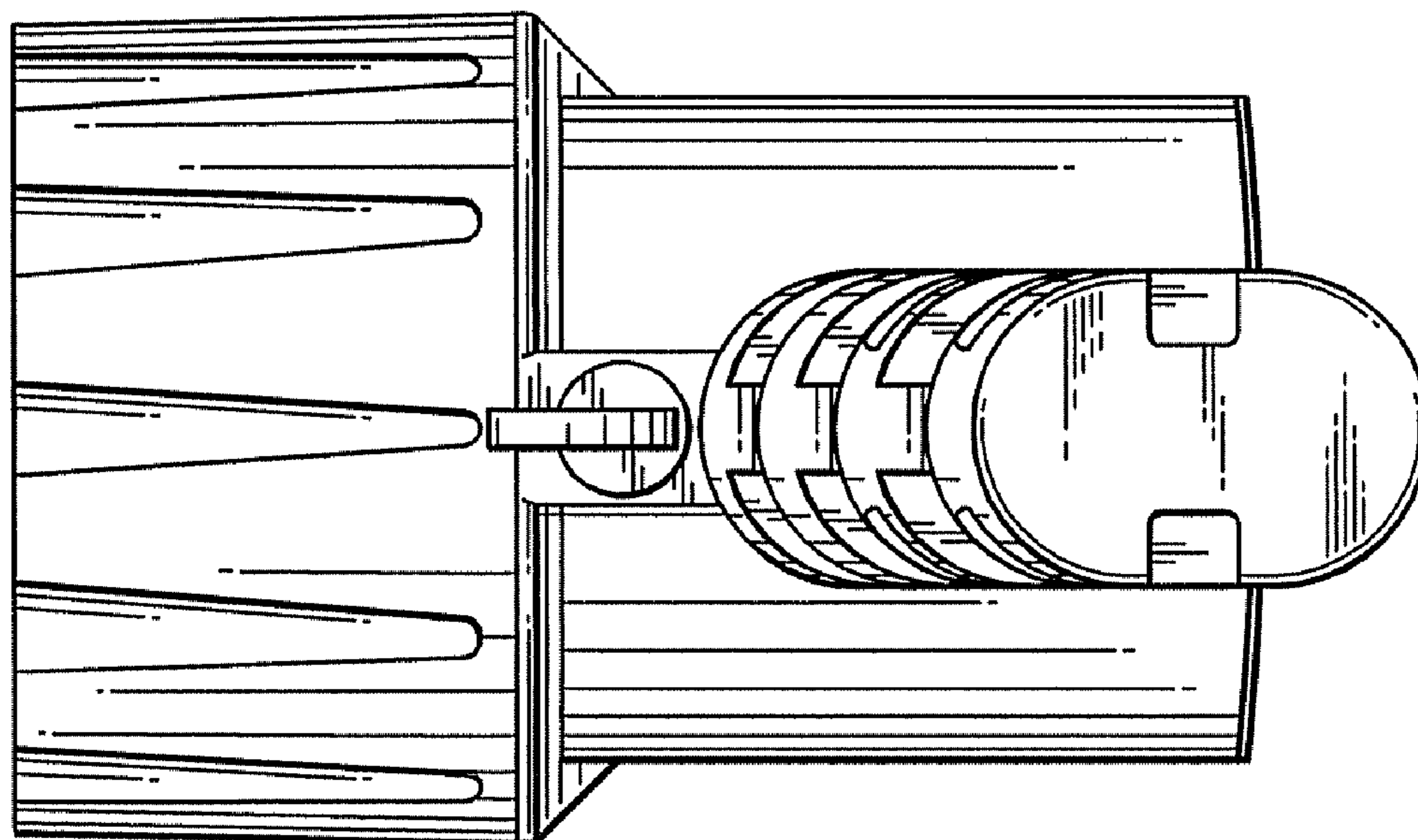


Fig. 6

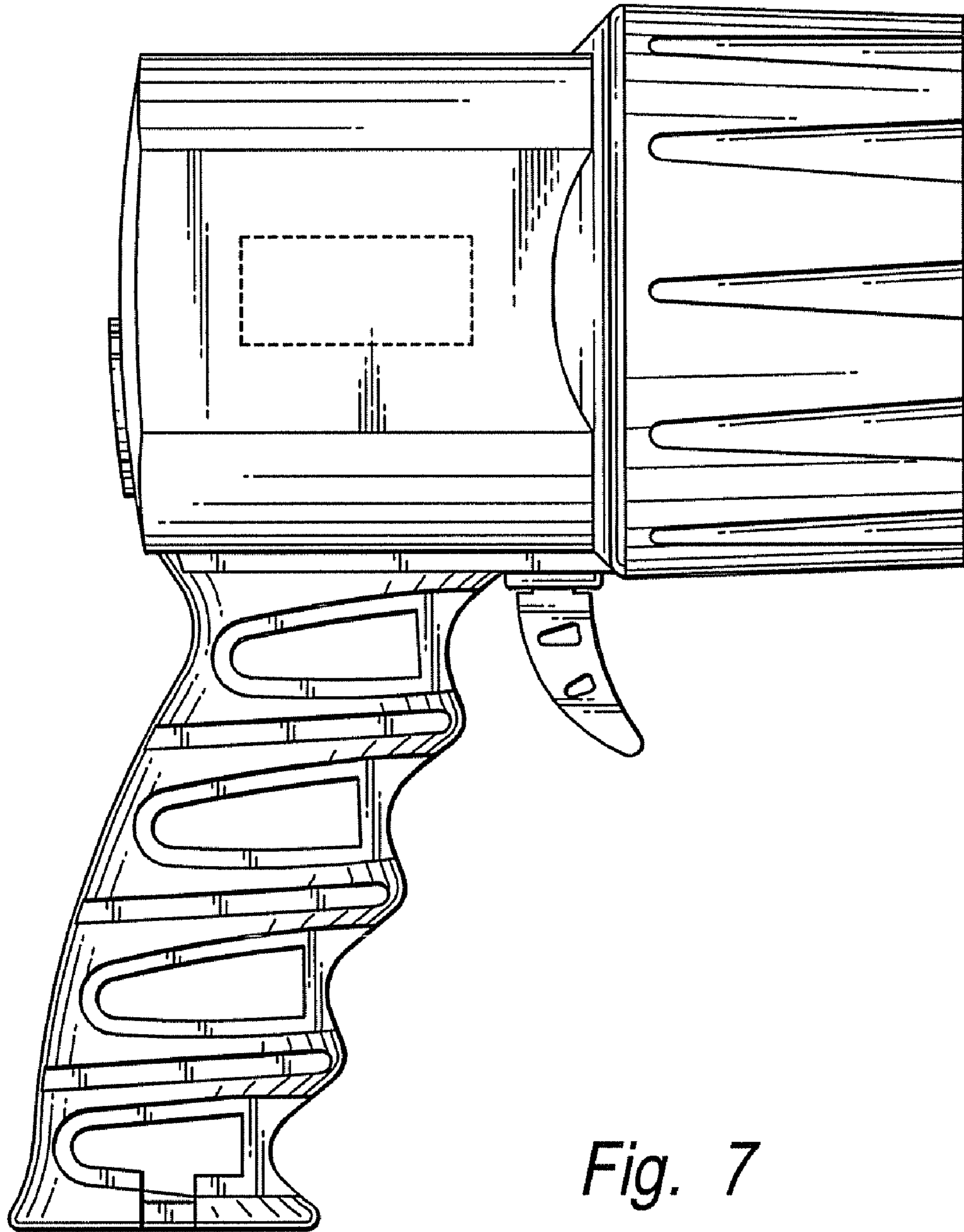


Fig. 7

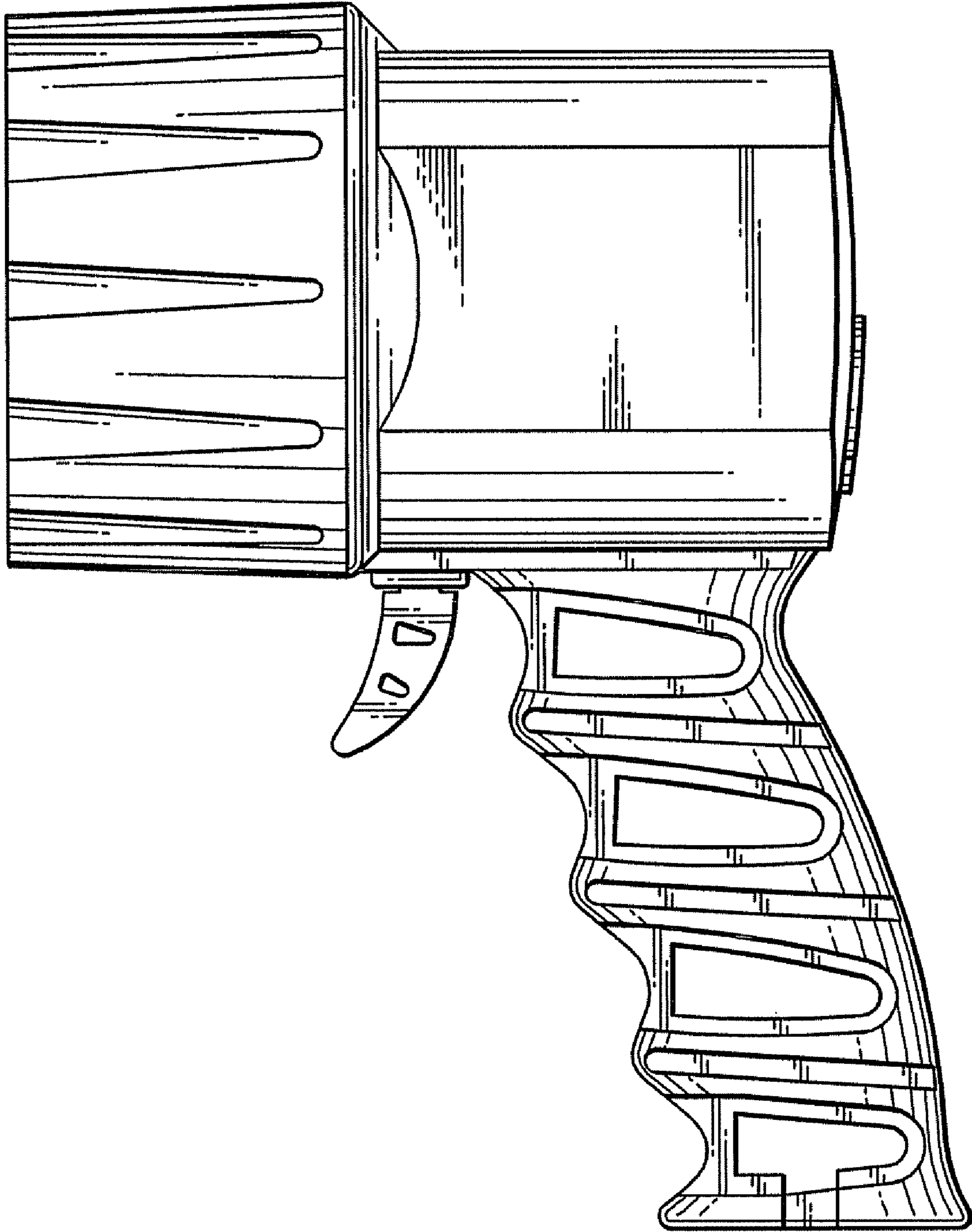


Fig. 8