



US00D630536S

(12) **United States Design Patent**
Pettit

(10) **Patent No.:** **US D630,536 S**

(45) **Date of Patent:** **** Jan. 11, 2011**

(54) **TUBE FLOW METER**

(76) Inventor: **Teresa M. Pettit**, 1421 Hilltop Rd.,
Newton, AL (US) 36352

(**) Term: **14 Years**

(21) Appl. No.: **29/316,630**

(22) Filed: **Oct. 16, 2009**

(51) **LOC (9) Cl.** **10-04**

(52) **U.S. Cl.** **D10/96**

(58) **Field of Classification Search** D10/96;
116/291, 293, 296, 305, 306, 312, 315, 323,
116/324; 73/39, 237, 238, 732-741, 861.47,
73/861.58, 861.79-861.92, 861.93, 861.94,
73/201; 137/315.06, 315.41, 797; 29/700
See application file for complete search history.

(56) **References Cited**

U.S. PATENT DOCUMENTS

2,476,713 A * 7/1949 Emery 116/291
4,016,760 A * 4/1977 Taylor 73/861.47

4,513,604 A * 4/1985 Frantz et al. 73/39
D283,204 S * 4/1986 McDonald D10/96
6,588,447 B1 * 7/2003 Hendey 137/315.06

* cited by examiner

Primary Examiner—Antoine D Davis

(74) *Attorney, Agent, or Firm*—Richard L. Mikesell

(57) **CLAIM**

The ornamental design for a tube flow meter, as shown and described.

DESCRIPTION

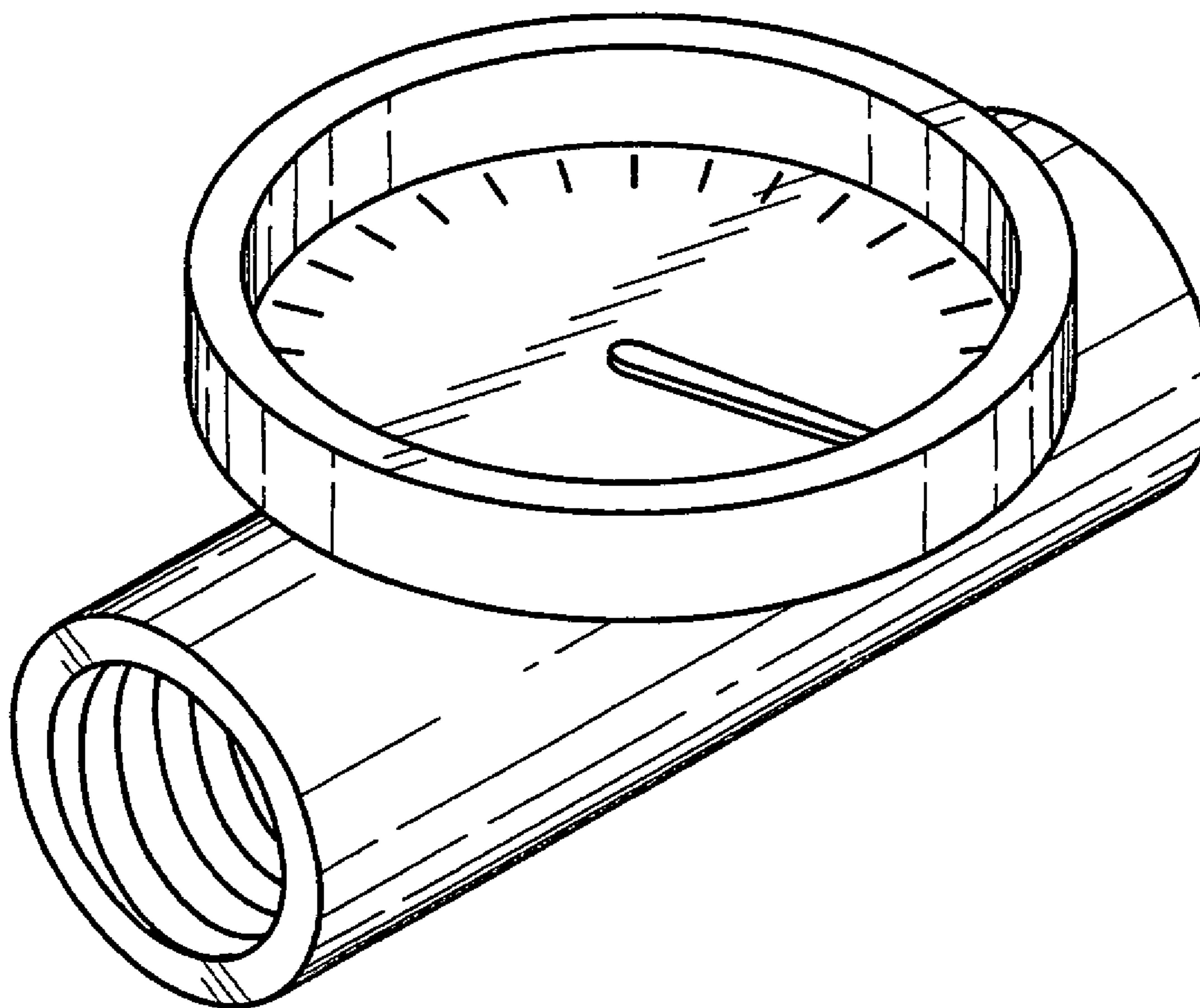
FIG. 1: Top perspective view;

FIG. 2: Top plan view;

FIG. 3: Side Elevation; and,

FIG. 4: End view.

1 Claim, 2 Drawing Sheets



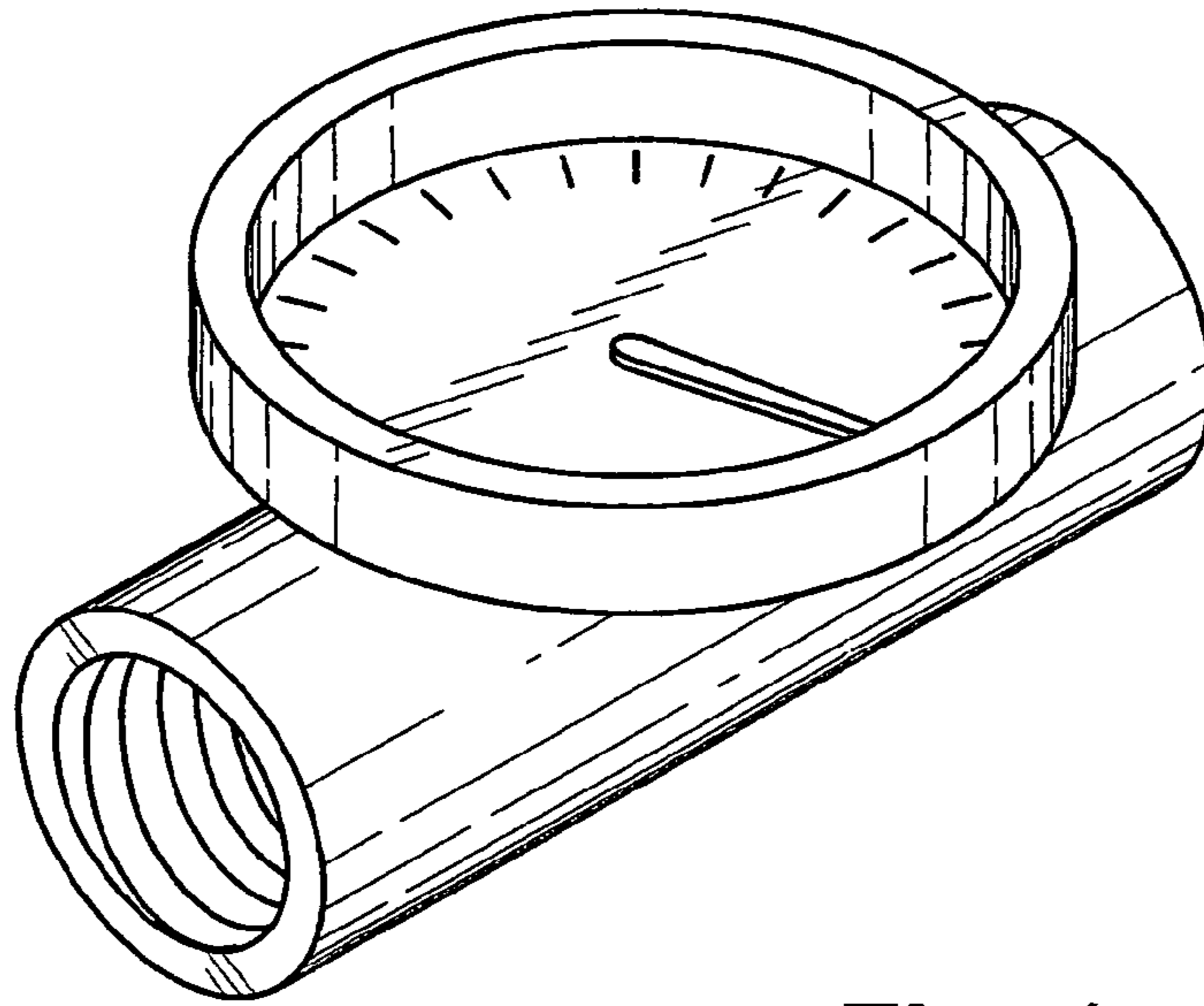


Fig. 1

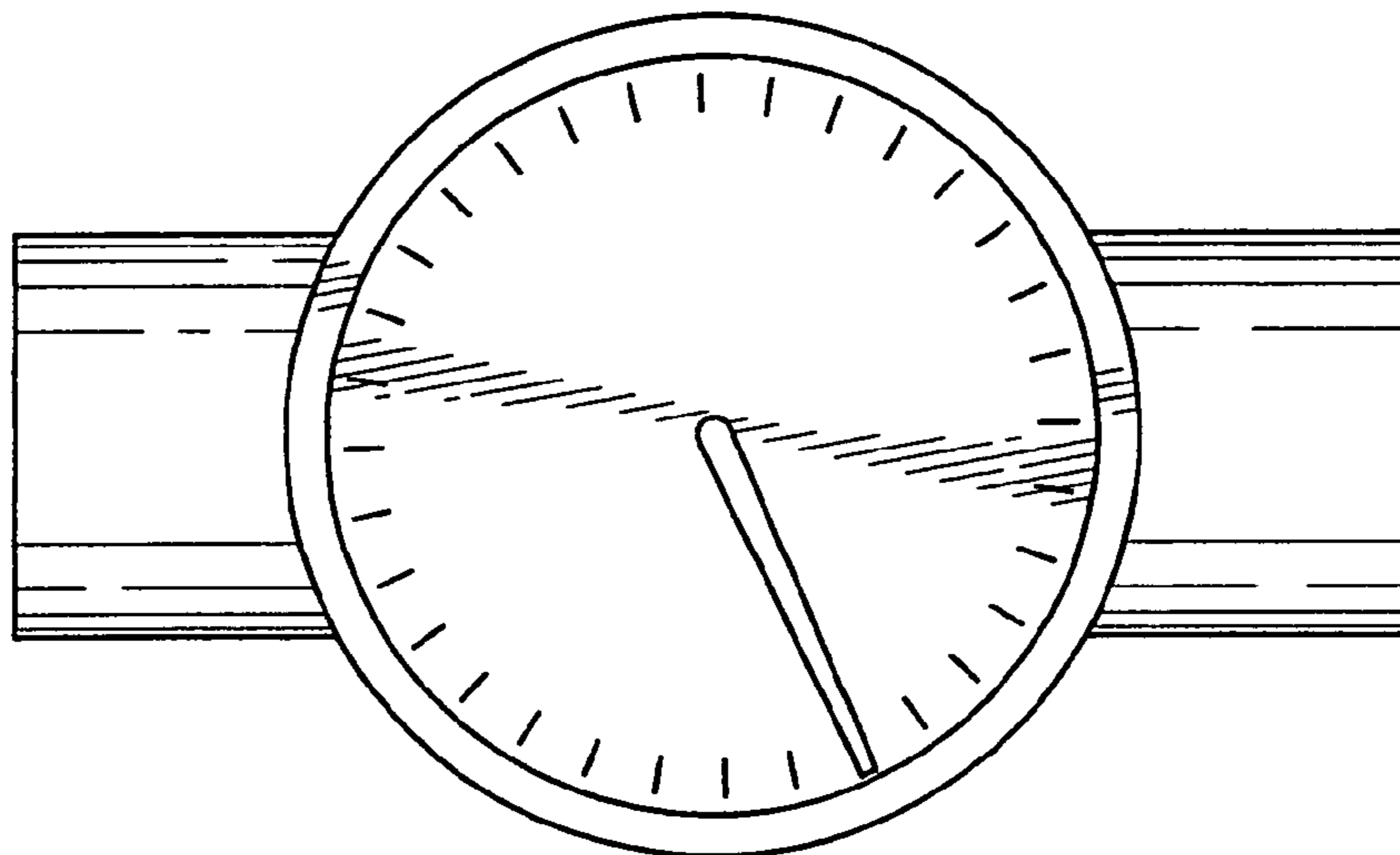


Fig. 2

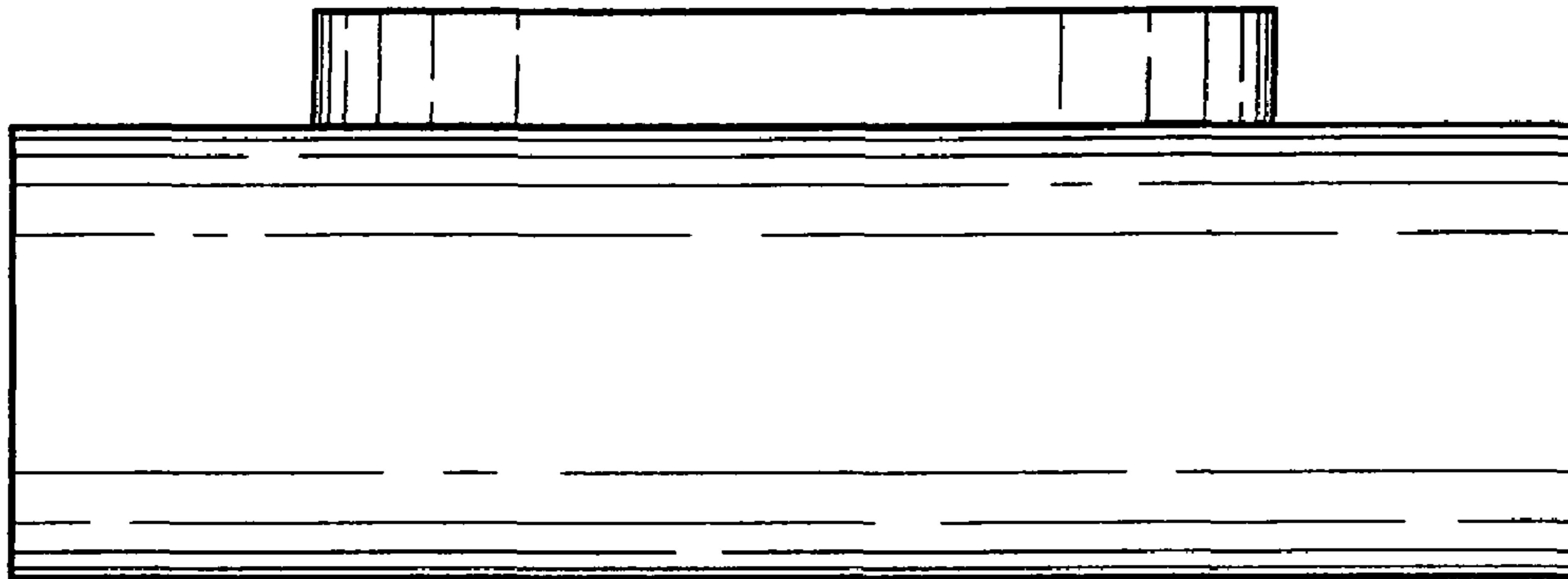


Fig. 3

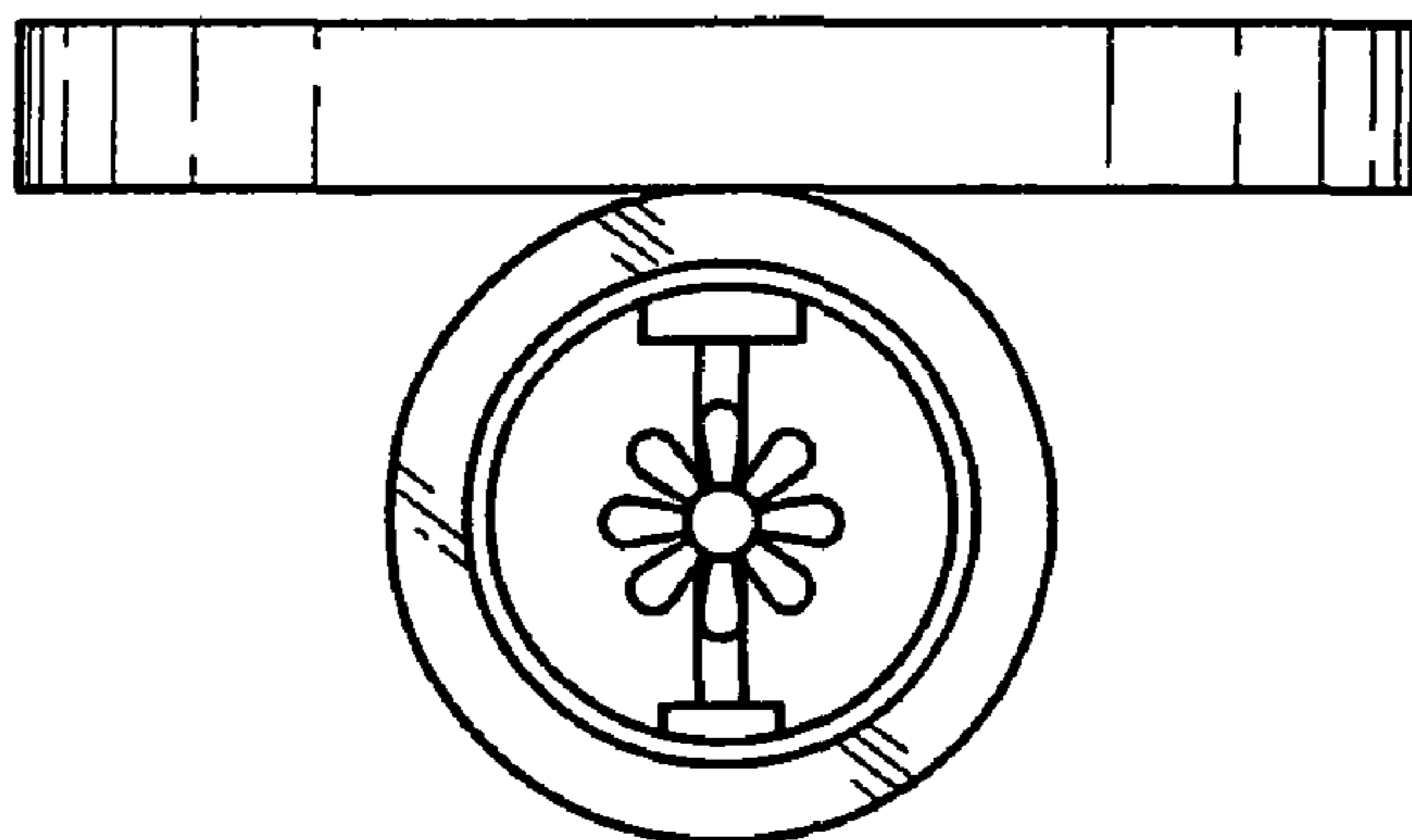


Fig. 4