



US00D630534S

(12) **United States Design Patent**
Gasparino, Jr.

(10) **Patent No.:** **US D630,534 S**
(45) **Date of Patent:** **** *Jan. 11, 2011**

(54) **GRINDER SAFETY GAUGE**

(76) Inventor: **Joseph Peter Gasparino, Jr.**, 50
Starkweather St., Manchester, CT (US)
06042

(**) Term: **14 Years**

(21) Appl. No.: **29/332,998**

(22) Filed: **Mar. 1, 2009**

(51) **LOC (9) Cl.** **10-04**

(52) **U.S. Cl.** **D10/65**

(58) **Field of Classification Search** D10/46,
D10/64, 65, 71; 33/501, 501.08, 501.45,
33/531, 542, 609, 613, 655
See application file for complete search history.

(56) **References Cited**

U.S. PATENT DOCUMENTS

4,218,824	A	8/1980	Schaefer	
5,199,180	A	4/1993	Yablonsky	
D356,513	S *	3/1995	Burkholder, II	D10/64
6,457,913	B1 *	10/2002	Garten	33/613
6,886,267	B1	5/2005	Karwowski	
6,931,744	B1	8/2005	Ikerd, Jr.	
D580,802	S *	11/2008	Janik	D10/64
2006/0196068	A1 *	9/2006	Thompson et al.	33/613

OTHER PUBLICATIONS

www.Rockfordsystems.com, Guard-Opening Scales and Sign,
Stainless-Steel ANSI Guard Opening Scale-Part N. KSC-075.

* cited by examiner

Primary Examiner—Antoine D Davis
(74) *Attorney, Agent, or Firm*—J.T. Hollin, Attorney at Law,
P.C.

(57) **CLAIM**

The ornamental design for a grinder safety gauge, as shown
and described.

DESCRIPTION

FIG. 1 displays a right side elevation view of the grinder
safety gauge.

FIG. 2 presents a perspective view, from the bottom of the
grinder safety gauge, according to its design.

FIG. 3 is a view of the top surface of the grinder safety gauge;
and,

FIG. 4 is a view of the bottom surface of the grinder safety
gauge.

The grinder safety gauge as shown is primarily a rectangular
structure with sunken, indented pocket panels comprising
two-thirds of its length and a stepped-down, tiered surface
forming the remaining one-third of its length.

1 Claim, 2 Drawing Sheets

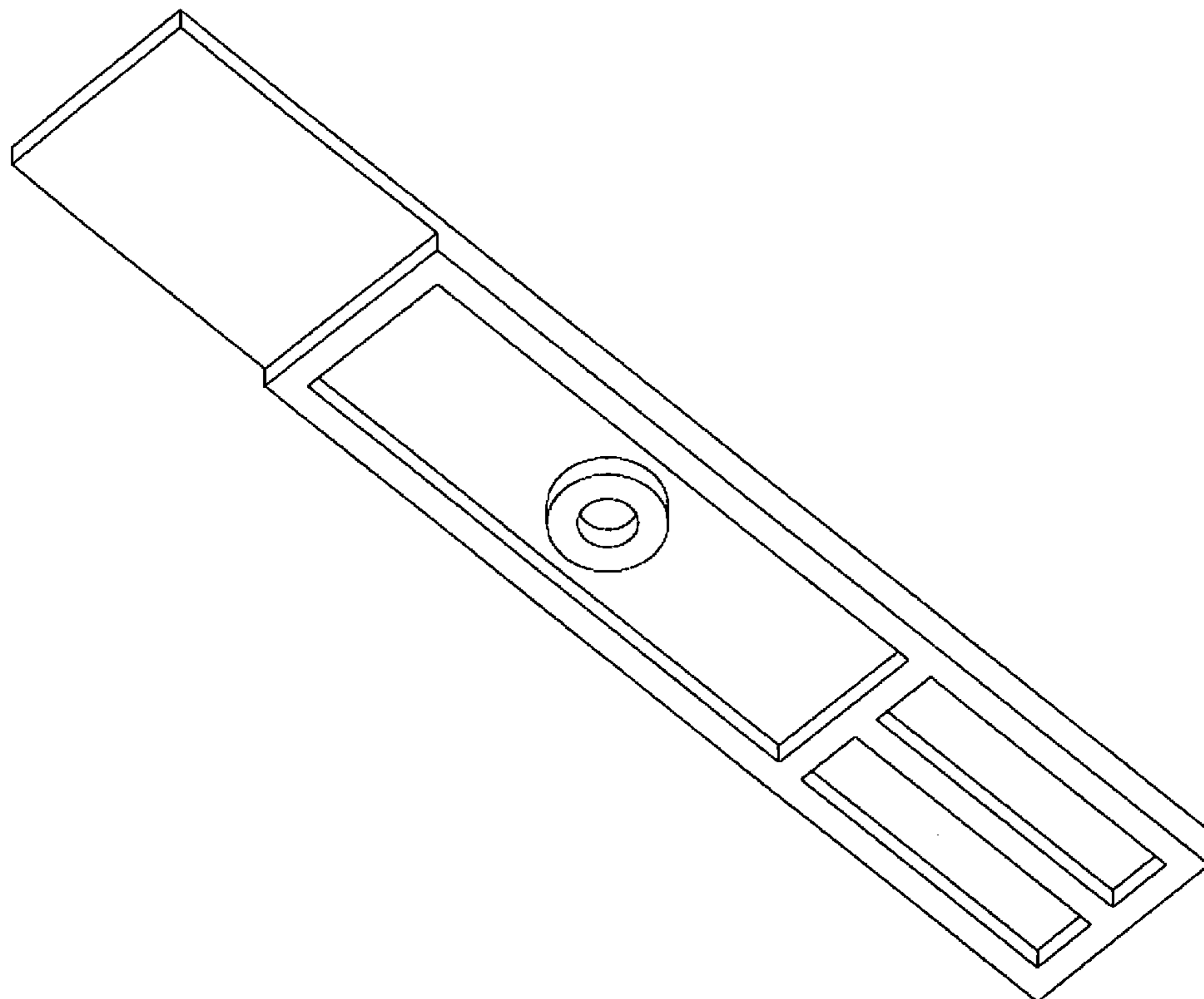




Fig. 1

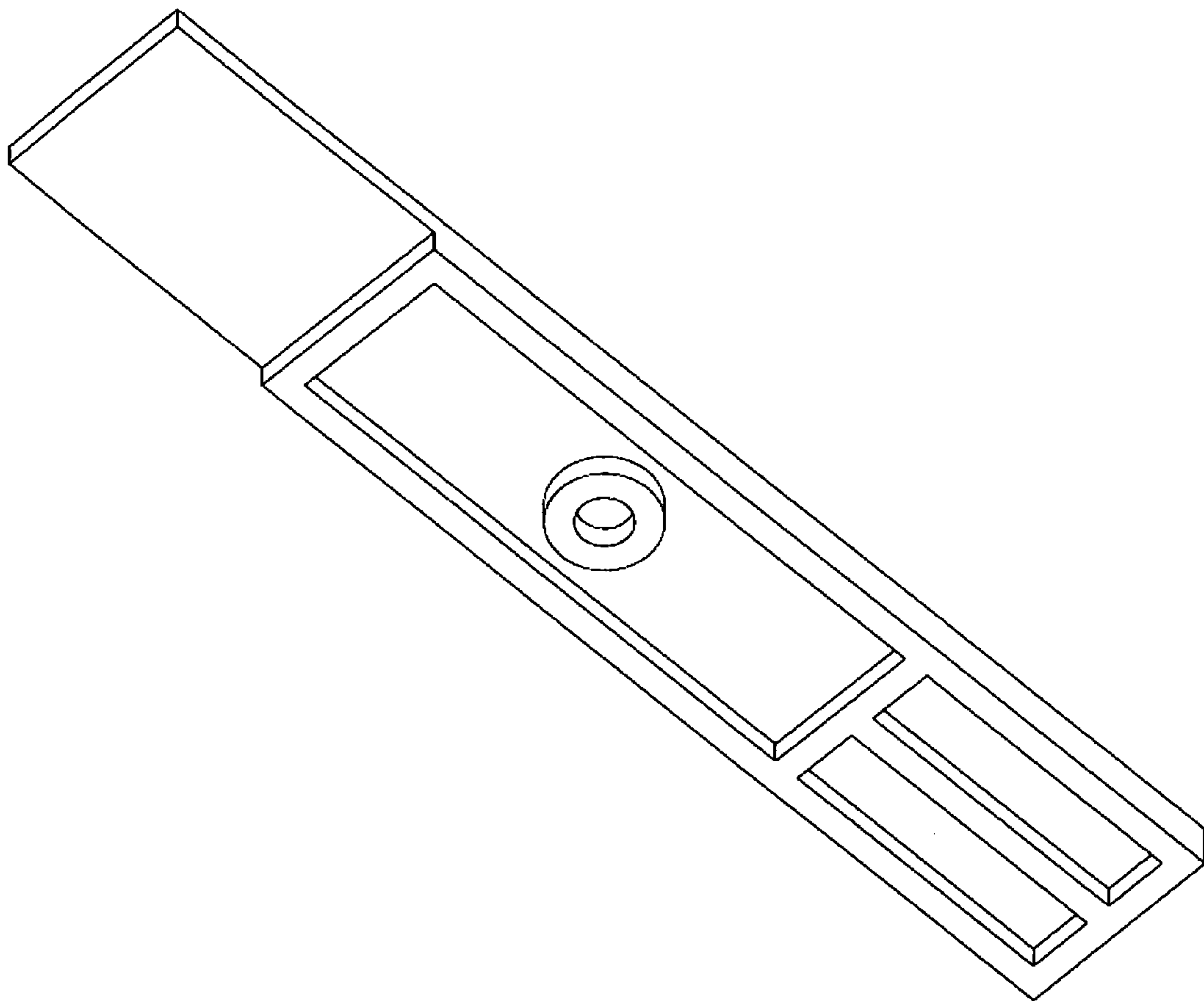


Fig. 2

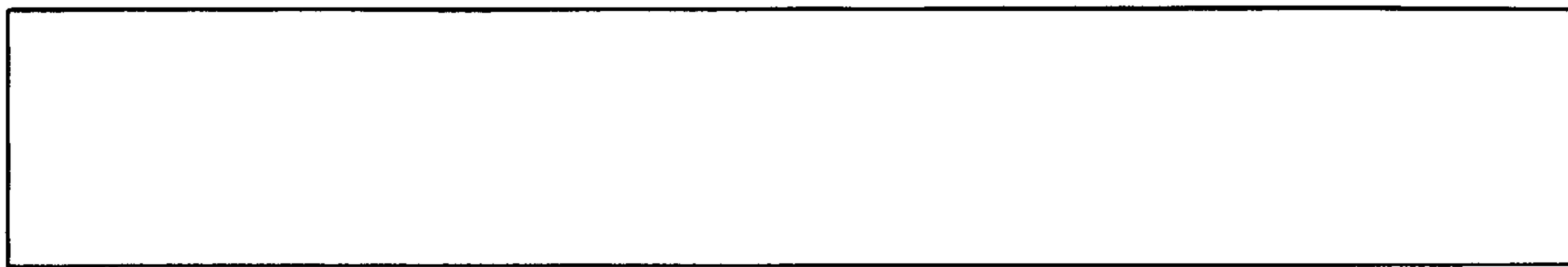


Fig. 3

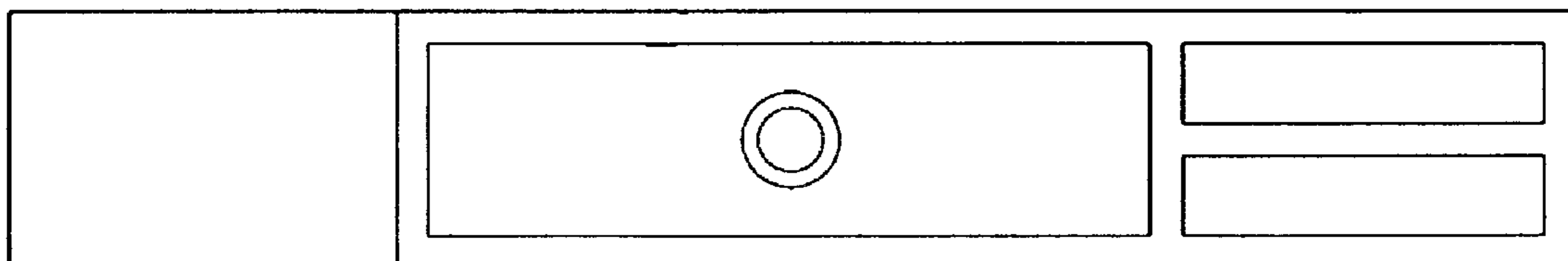


Fig. 4