



US00D630533S

(12) **United States Design Patent**
Clausen

(10) **Patent No.:** **US D630,533 S**
(45) **Date of Patent:** **** Jan. 11, 2011**

(54) **THERMOSTATIC HEAD**
(75) Inventor: **Anders Clausen**, Ry (DK)
(73) Assignee: **Danfoss A/S**, Nordborg (DK)
(**) Term: **14 Years**
(21) Appl. No.: **29/352,605**
(22) Filed: **Dec. 23, 2009**

(30) **Foreign Application Priority Data**
Jul. 15, 2009 (EM) 001582974
(51) **LOC (9) Cl.** **10-04**
(52) **U.S. Cl.** **D10/49; D10/50**
(58) **Field of Classification Search** D10/49,
D10/50; D23/233, 235, 237; 62/225, 324.1;
137/454.5, 539, 614.15, 614.21; 236/46 R,
236/47, 49.3, 51, 84, 92 B, 94, 100; 237/8 A;
400/485
See application file for complete search history.

(56) **References Cited**
U.S. PATENT DOCUMENTS
D503,630 S * 4/2005 Bertolotti D10/50
7,331,359 B2 * 2/2008 Shay 137/454.2
D603,277 S * 11/2009 Clausen et al. D10/50
2007/0151607 A1 * 7/2007 Fan 137/539

* cited by examiner

Primary Examiner—Antoine D Davis
(74) *Attorney, Agent, or Firm*—McCormick, Paulding & Huber LLP

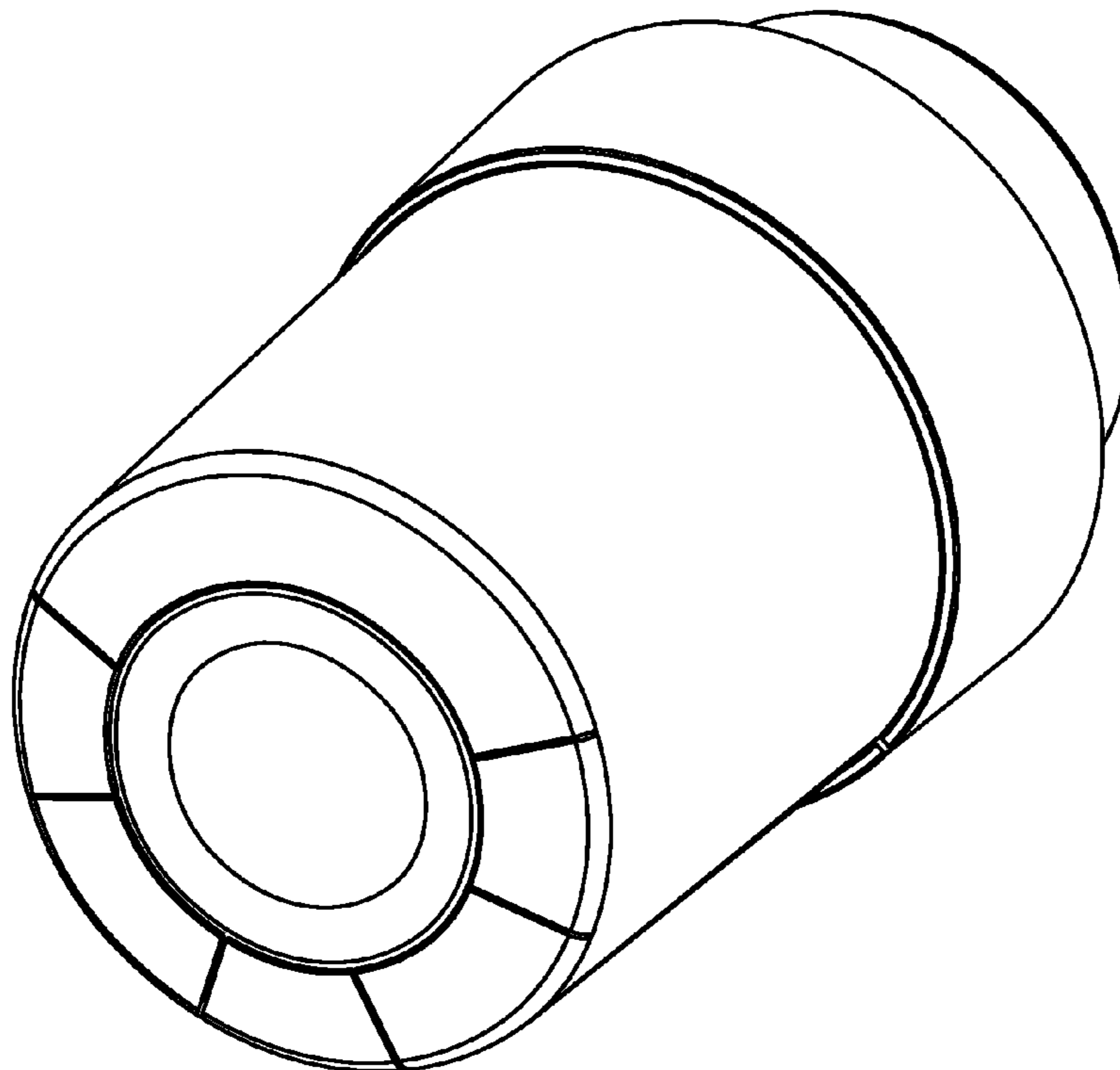
(57) **CLAIM**

The ornamental design for a thermostatic head, substantially as shown and described.

DESCRIPTION

FIG. 1 is a rear view of a thermostatic head comprising a new, original and ornamental design;
FIG. 2 is a front view of a thermostatic head comprising the new, original and ornamental design;
FIG. 3 is a left-hand side view of a thermostatic head comprising the new, original and ornamental design;
FIG. 4 is a top, rear, right-hand side perspective view of a thermostatic head comprising the new, original and ornamental design;
FIG. 5 is a right-hand side view of a thermostatic head comprising the new, original and ornamental design; and,
FIG. 6 is a top view of a thermostatic head comprising the new, original and ornamental design.
No claim is made to the bottom view, which is omitted from the drawings.

1 Claim, 4 Drawing Sheets



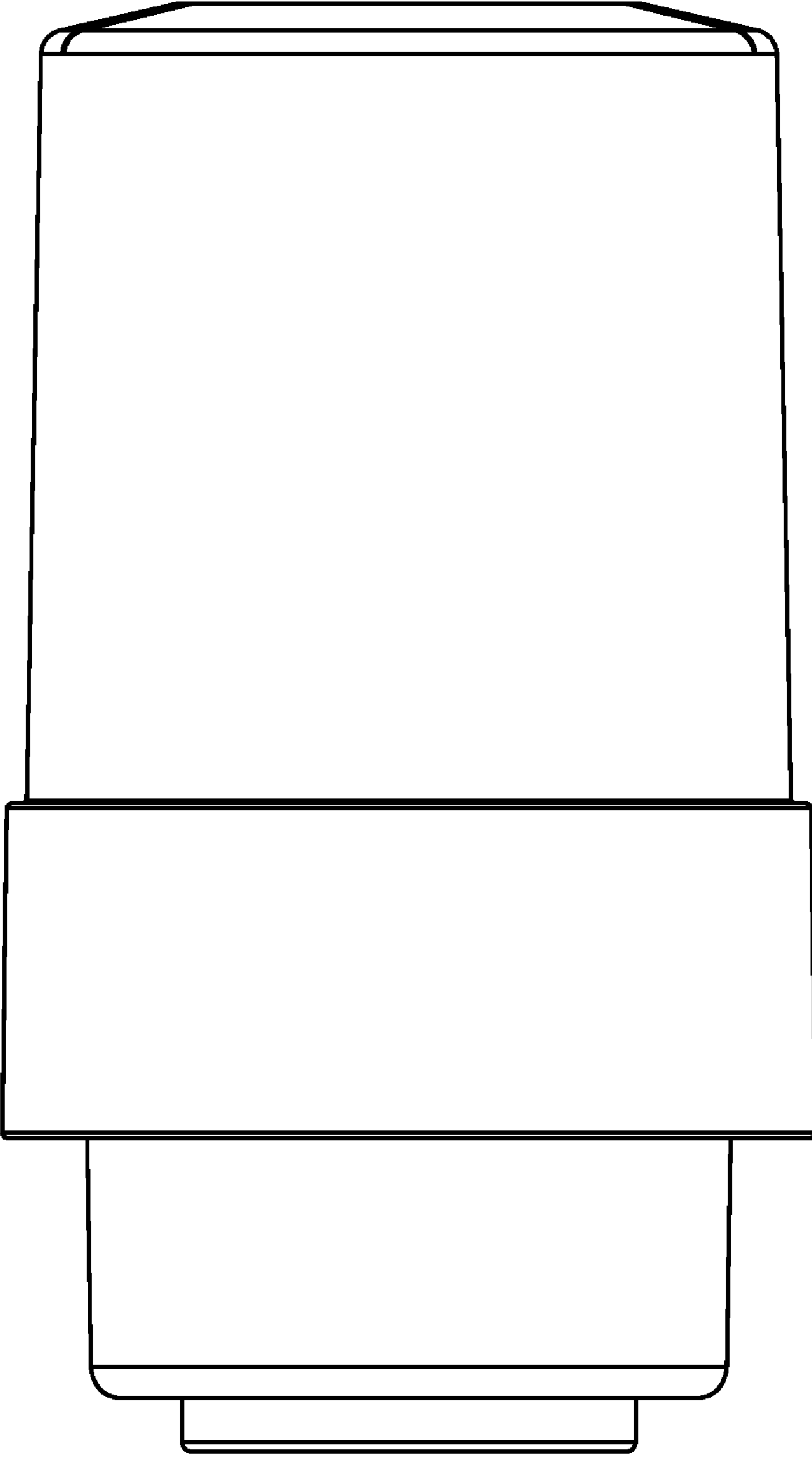


FIG. 1

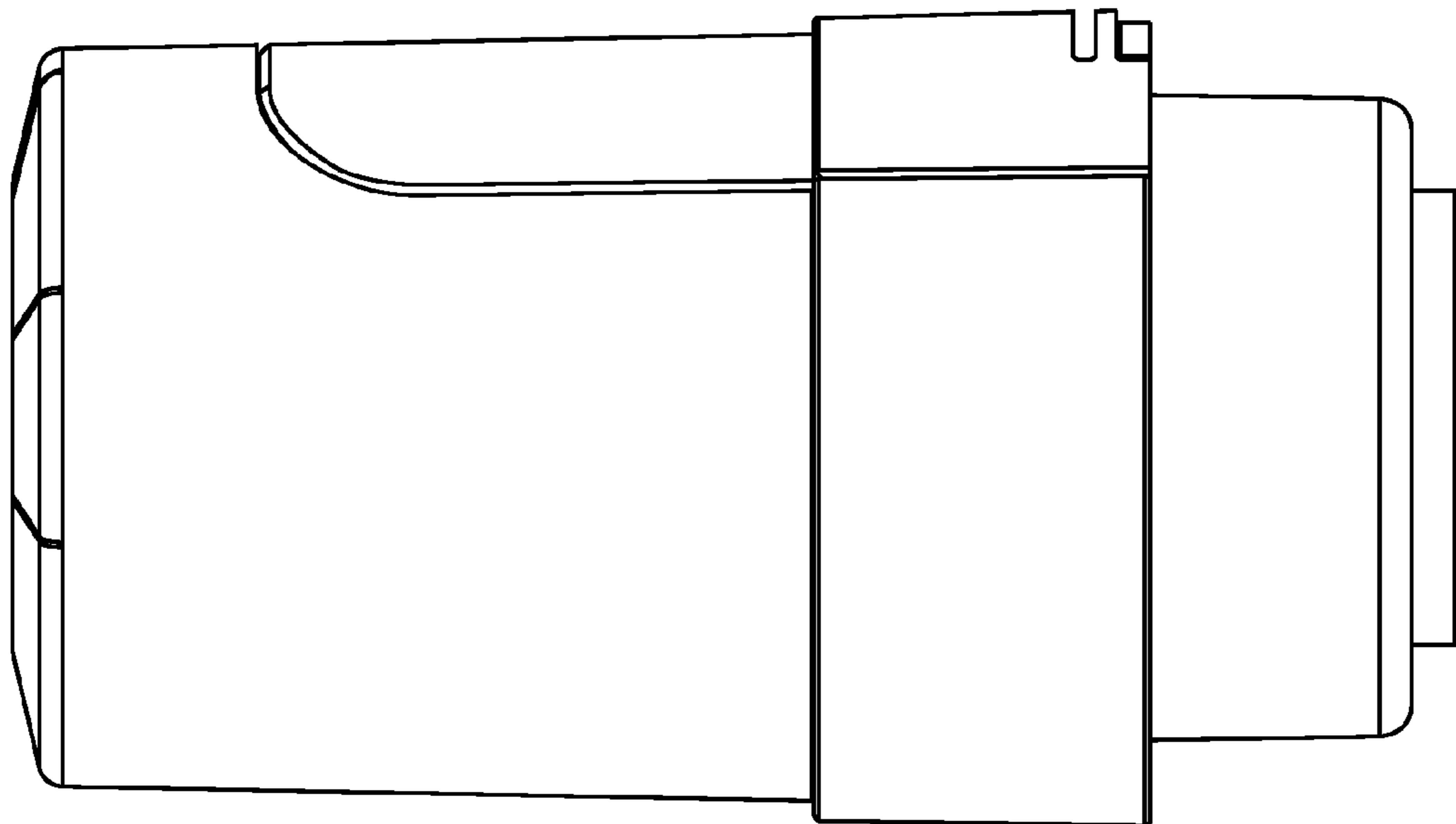


FIG. 3

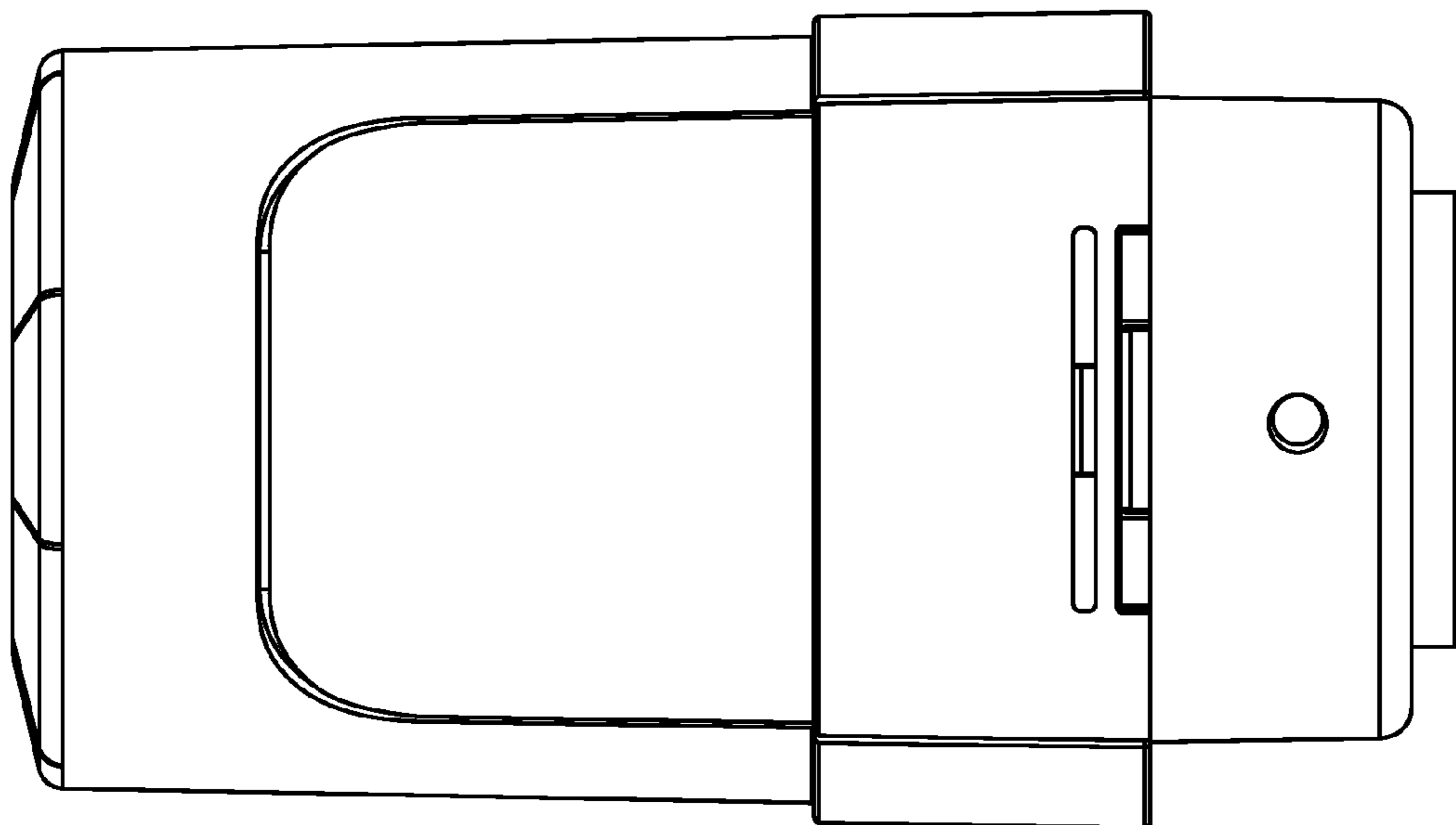


FIG. 2

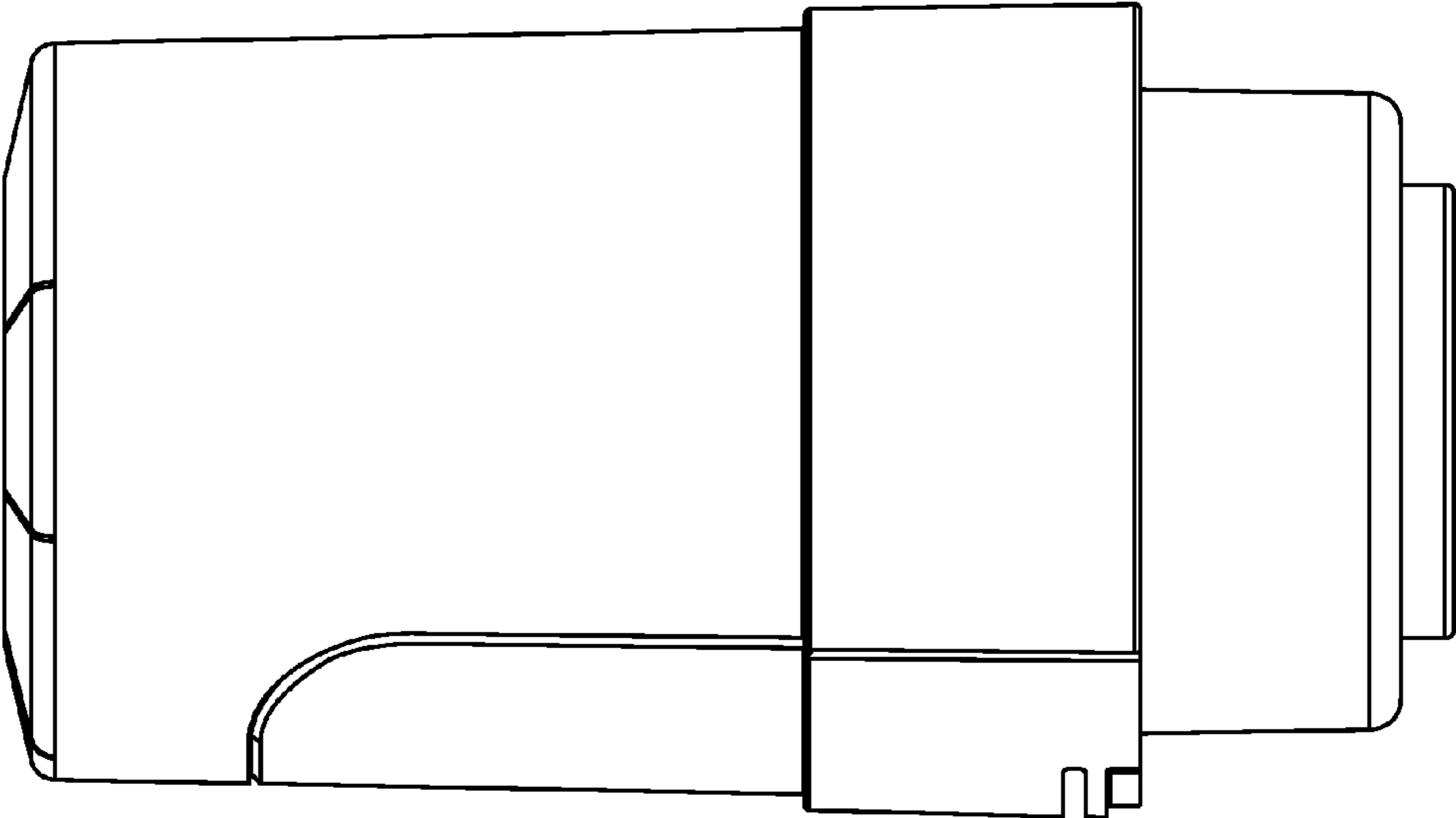


FIG. 5

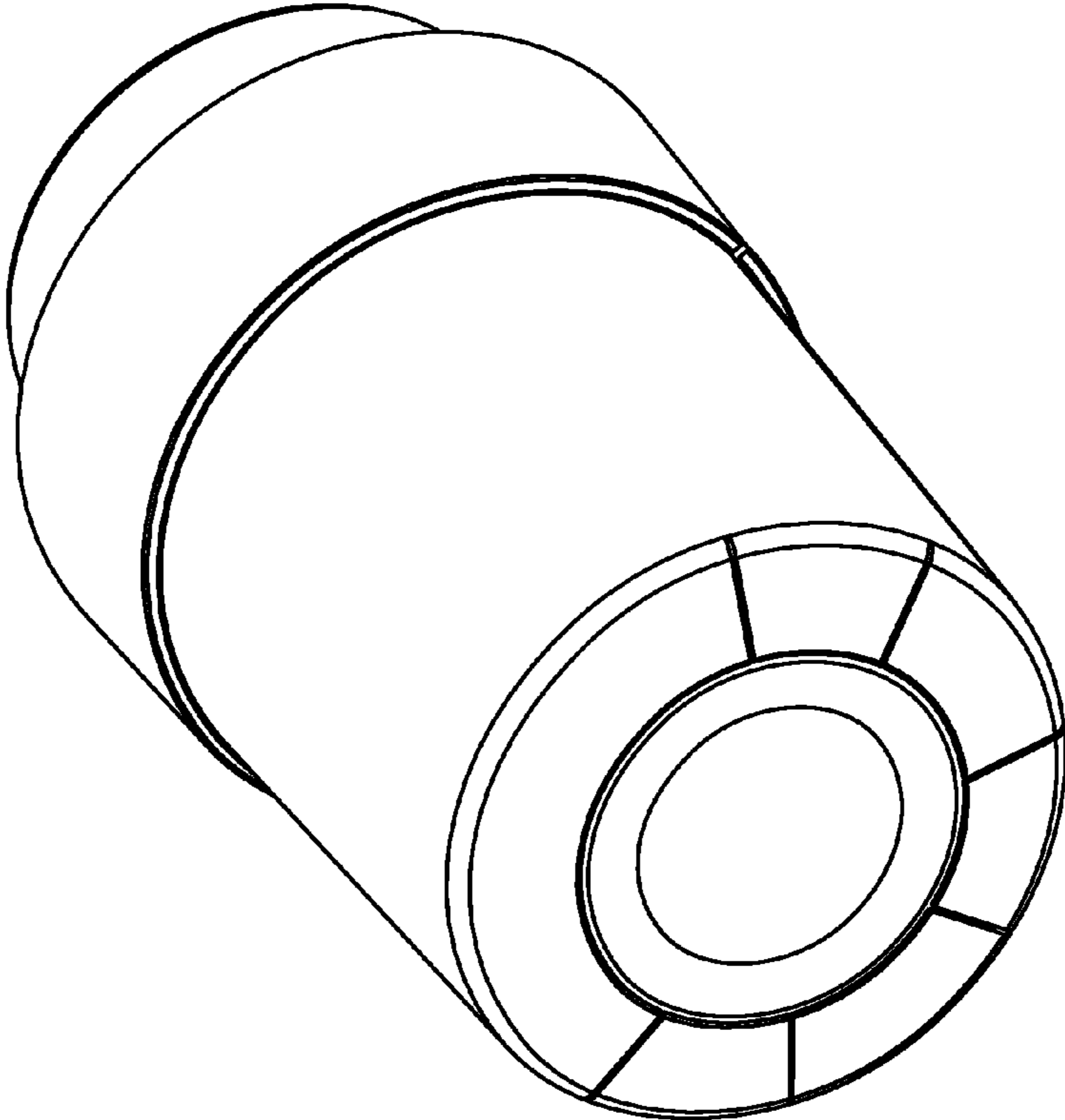


FIG. 4

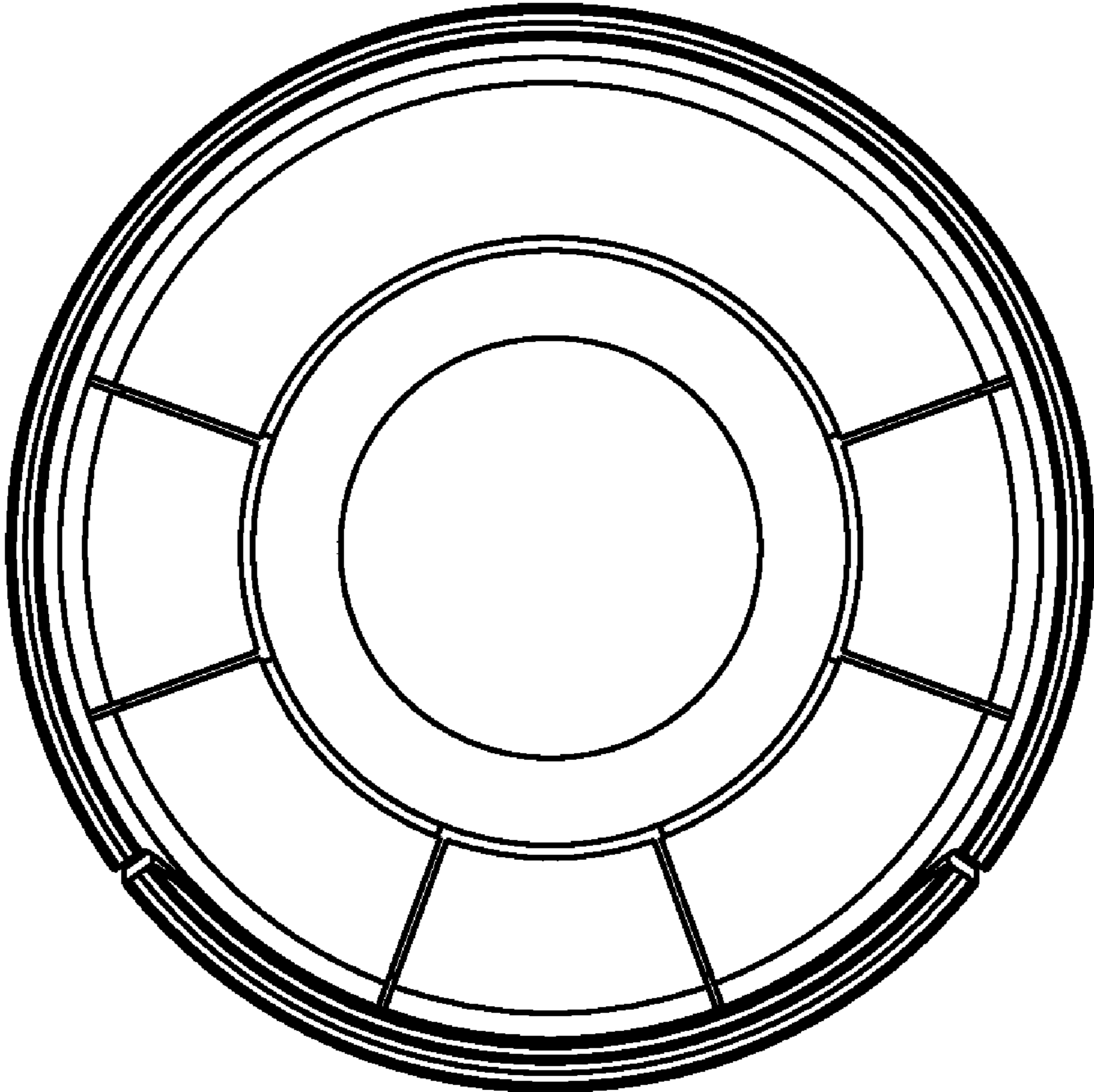


FIG. 6