



US00D630530S

(12) **United States Design Patent**
Nunes

(10) **Patent No.:** **US D630,530 S**

(45) **Date of Patent:** **** Jan. 11, 2011**

(54) **WATCH CASING**

(76) **Inventor:** **Brendon Nunes**, 1 Cherry Rd., Ajax
Ontario (CA) L1S 6V7

(**) **Term:** **14 Years**

(21) **Appl. No.:** **29/316,525**

(22) **Filed:** **Oct. 6, 2009**

(51) **LOC (9) Cl.** **10-02**

(52) **U.S. Cl.** **D10/38**

(58) **Field of Classification Search** D10/30-39,
D10/122-132; 368/276, 281, 282, 285, 288,
368/294, 295

See application file for complete search history.

(56) **References Cited**

U.S. PATENT DOCUMENTS

D202,061	S	*	8/1965	Montese-Caruso	D10/38
3,395,531	A	*	8/1968	Caprara	368/291
3,427,800	A	*	2/1969	Blum	368/223
3,475,902	A	*	11/1969	Wessel	368/10
4,218,873	A	*	8/1980	Lang	368/281
5,255,248	A	*	10/1993	Goodmon	368/228
D358,101	S	*	5/1995	Scheufele	D10/32
D381,277	S	*	7/1997	Schneider	D10/30
D412,670	S		8/1999	Riley		
D415,040	S		10/1999	Sang		
D447,699	S	*	9/2001	Ramos, Jr.	D10/30
D459,236	S	*	6/2002	Haquet	D10/30
D462,909	S	*	9/2002	Cattin	D10/39
D525,537	S	*	7/2006	Monachon	D10/32
D531,524	S	*	11/2006	Behling	D10/38
D533,088	S	*	12/2006	Bedat	D10/39
D537,371	S	*	2/2007	Belamich	D10/39
D537,737	S		3/2007	Galli		
7,242,639	B2	*	7/2007	Blondeau et al.	368/11
D555,515	S	*	11/2007	Krieger	D10/31
D555,518	S	*	11/2007	Borraccino et al.	D10/39
D555,519	S	*	11/2007	Borraccino et al.	D10/39
7,324,410	B1	*	1/2008	Ziv	368/88

D568,181	S	*	5/2008	Rabassa	D10/39
D577,611	S	*	9/2008	Lalo	D10/32
D578,412	S	*	10/2008	Belamich	D10/39
D581,814	S	*	12/2008	Baer	D10/38
D584,173	S	*	1/2009	Monachon	D10/39
D588,025	S	*	3/2009	Belamich	D10/39
D594,352	S	*	6/2009	Belamich	D10/39
D598,304	S	*	8/2009	Belamich	D10/39
D599,680	S	*	9/2009	Schoepfer	D10/32
D601,043	S	*	9/2009	Belamich	D10/39
D604,646	S	*	11/2009	Belamich	D10/38
7,628,530	B2	*	12/2009	Andren et al.	368/281

* cited by examiner

Primary Examiner—Lucy Lieberman

(57) **CLAIM**

The ornamental design for a watch casing, as shown and described.

DESCRIPTION

FIG. 1 is a top and right side perspective view of a watch casing showing my new design;

FIG. 2 is a top plan view thereof;

FIG. 3 is a front view thereof;

FIG. 4 is a right side view thereof;

FIG. 5 is a left side view thereof;

FIG. 6 is a top and right side perspective view of a second embodiment of the watch casing;

FIG. 7 is a top plan view of the second embodiment;

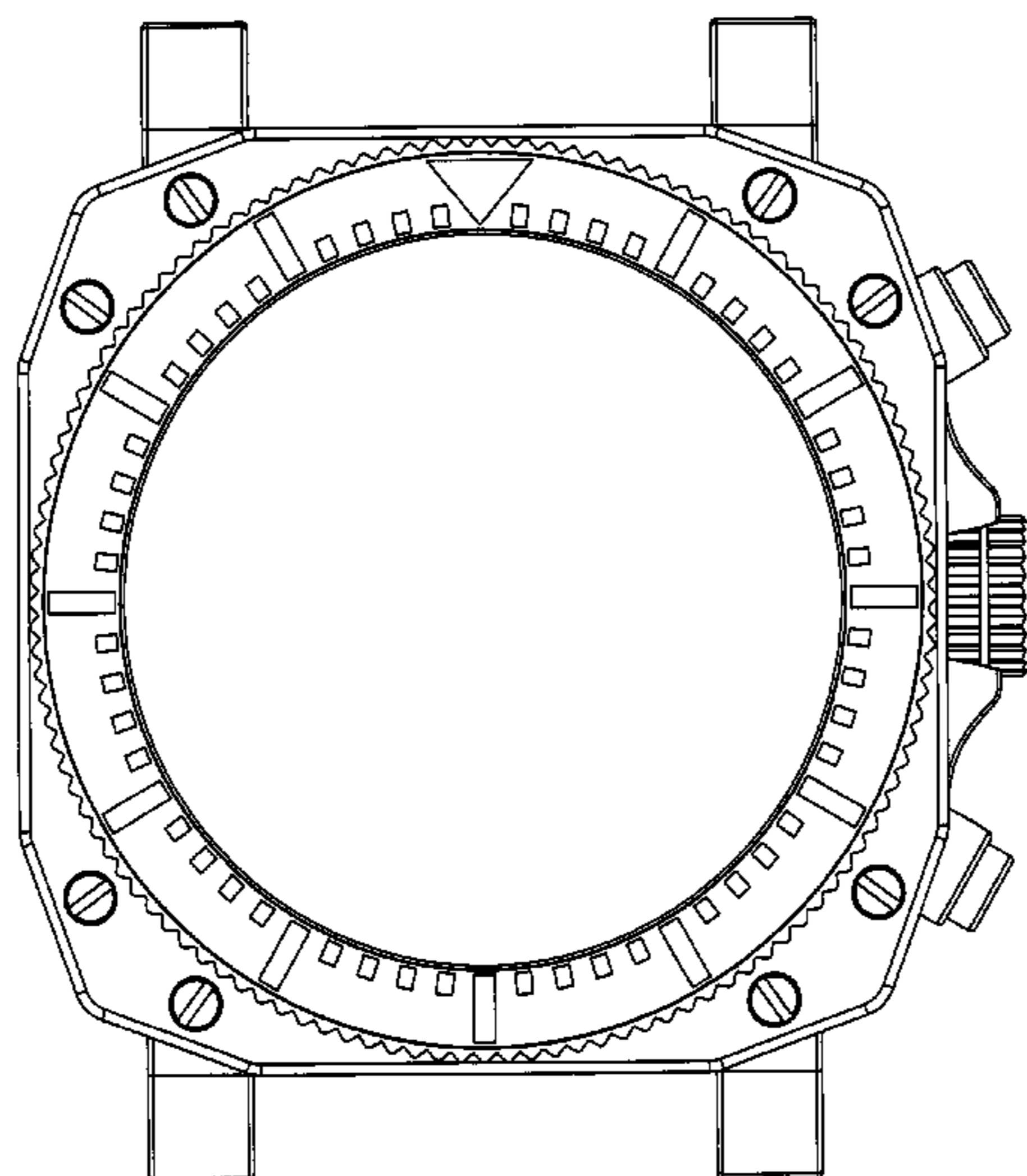
FIG. 8 is a front view of the second embodiment, the rear view is a mirror image thereto;

FIG. 9 is a right side view of the second embodiment; and,

FIG. 10 is a left side view of the second embodiment.

The portions of the drawings provided by broken line are intended to reflect environment, and do not form a part of my design.

1 Claim, 10 Drawing Sheets



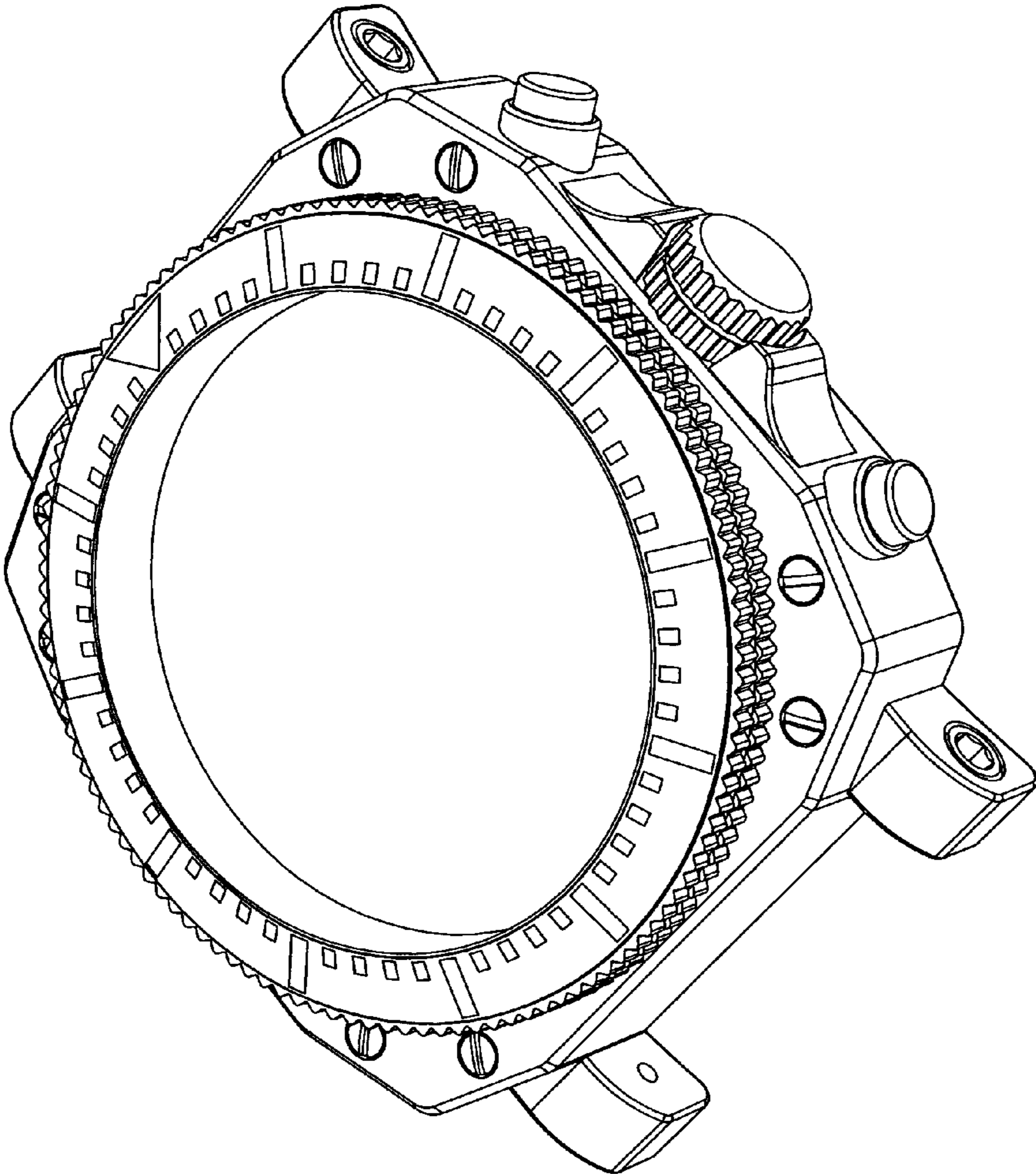


FIGURE 1

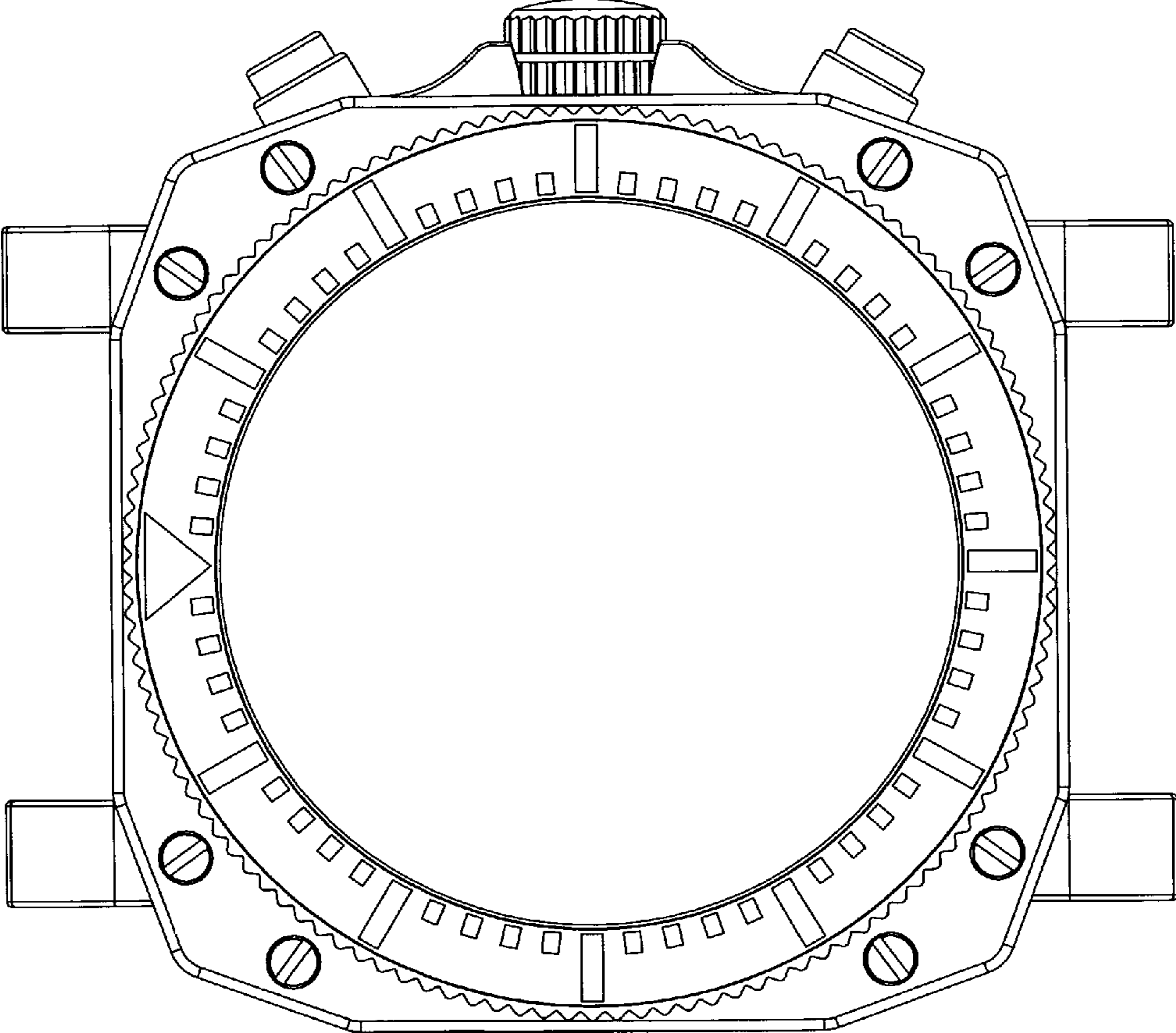


FIGURE 2

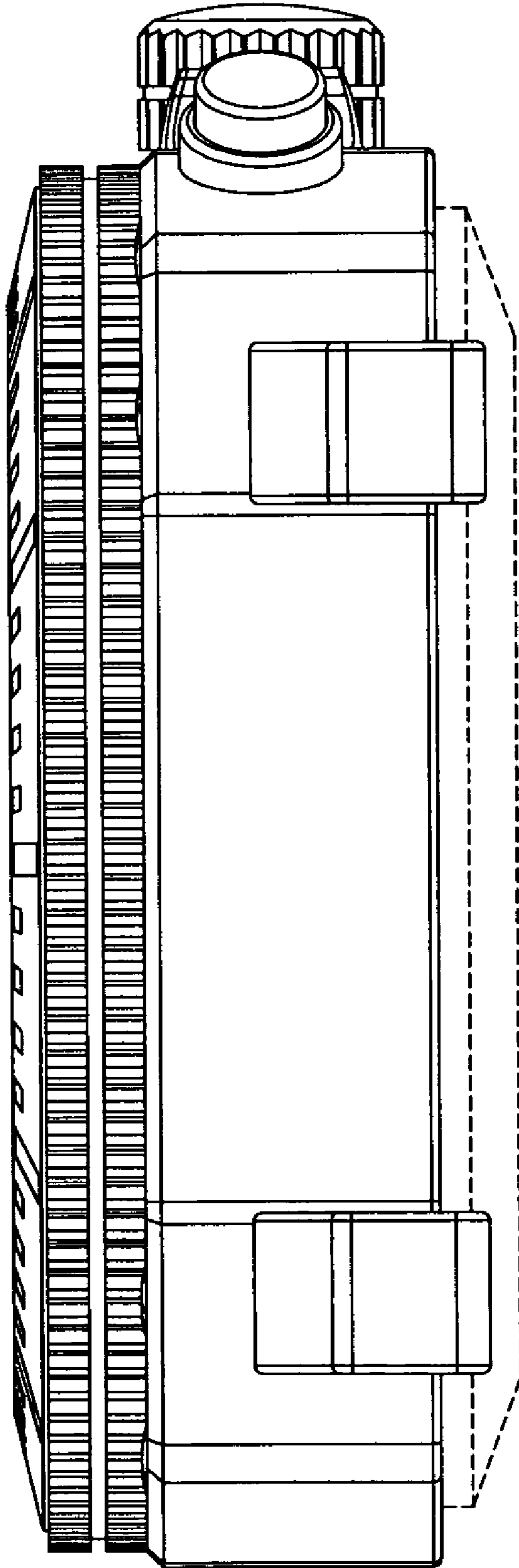


FIGURE 3

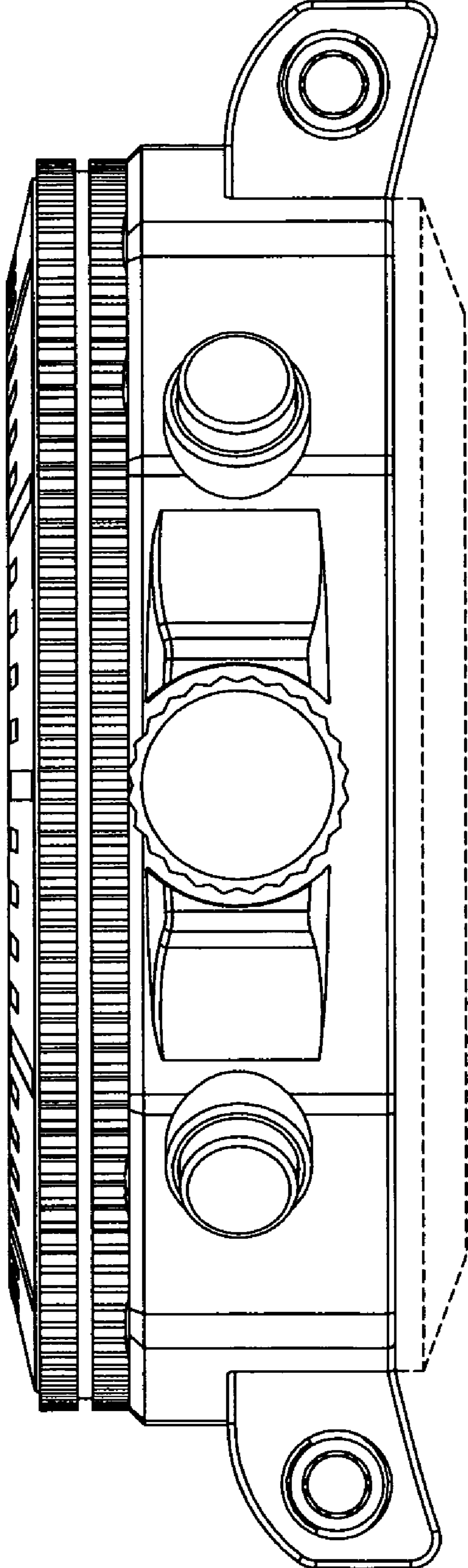


FIGURE 4

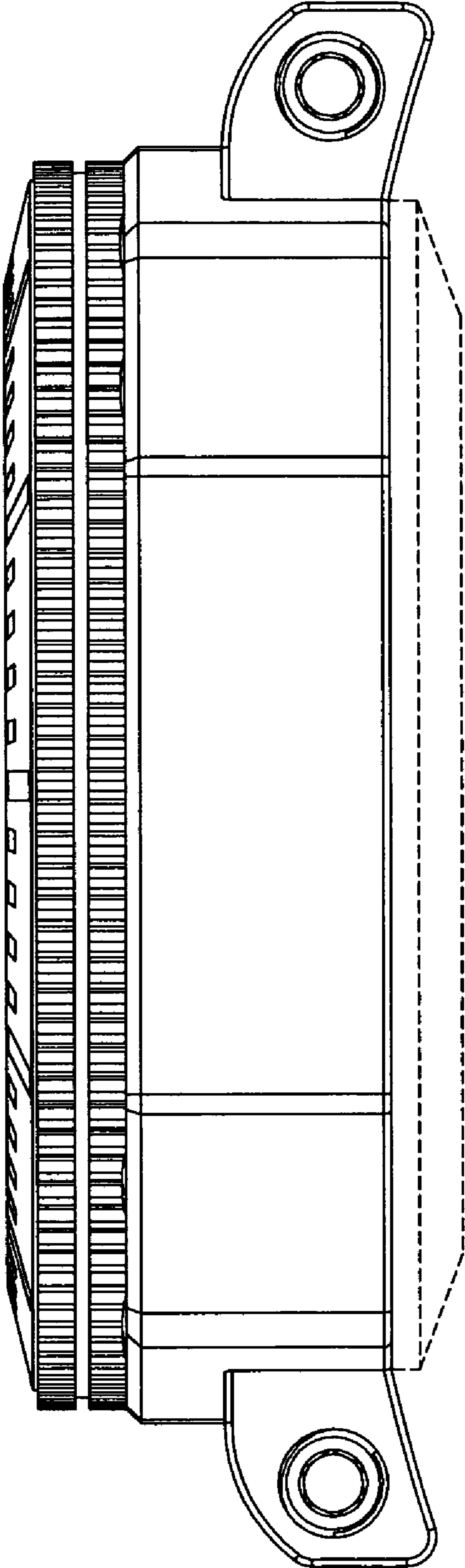


FIGURE 5

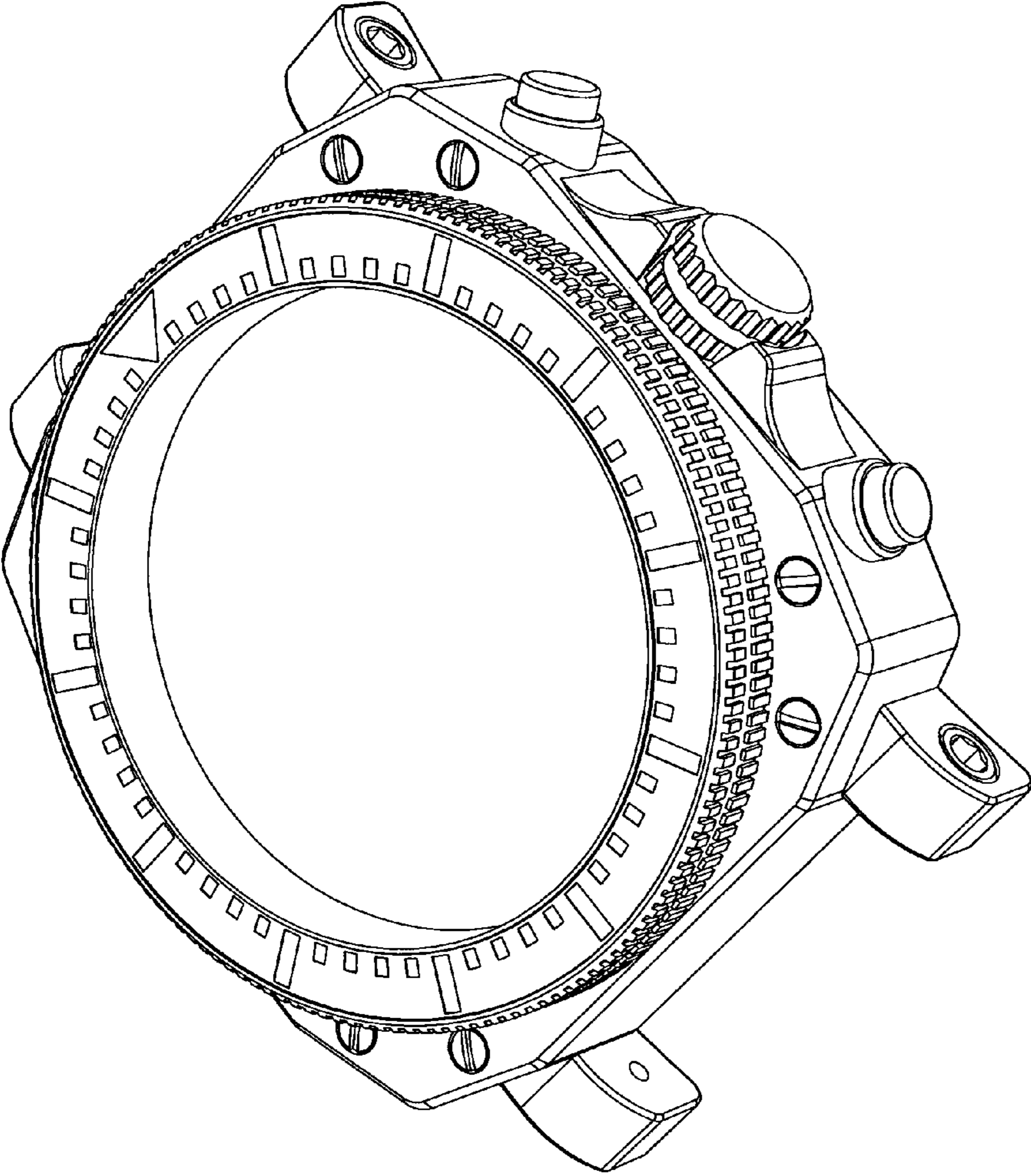


FIGURE 6

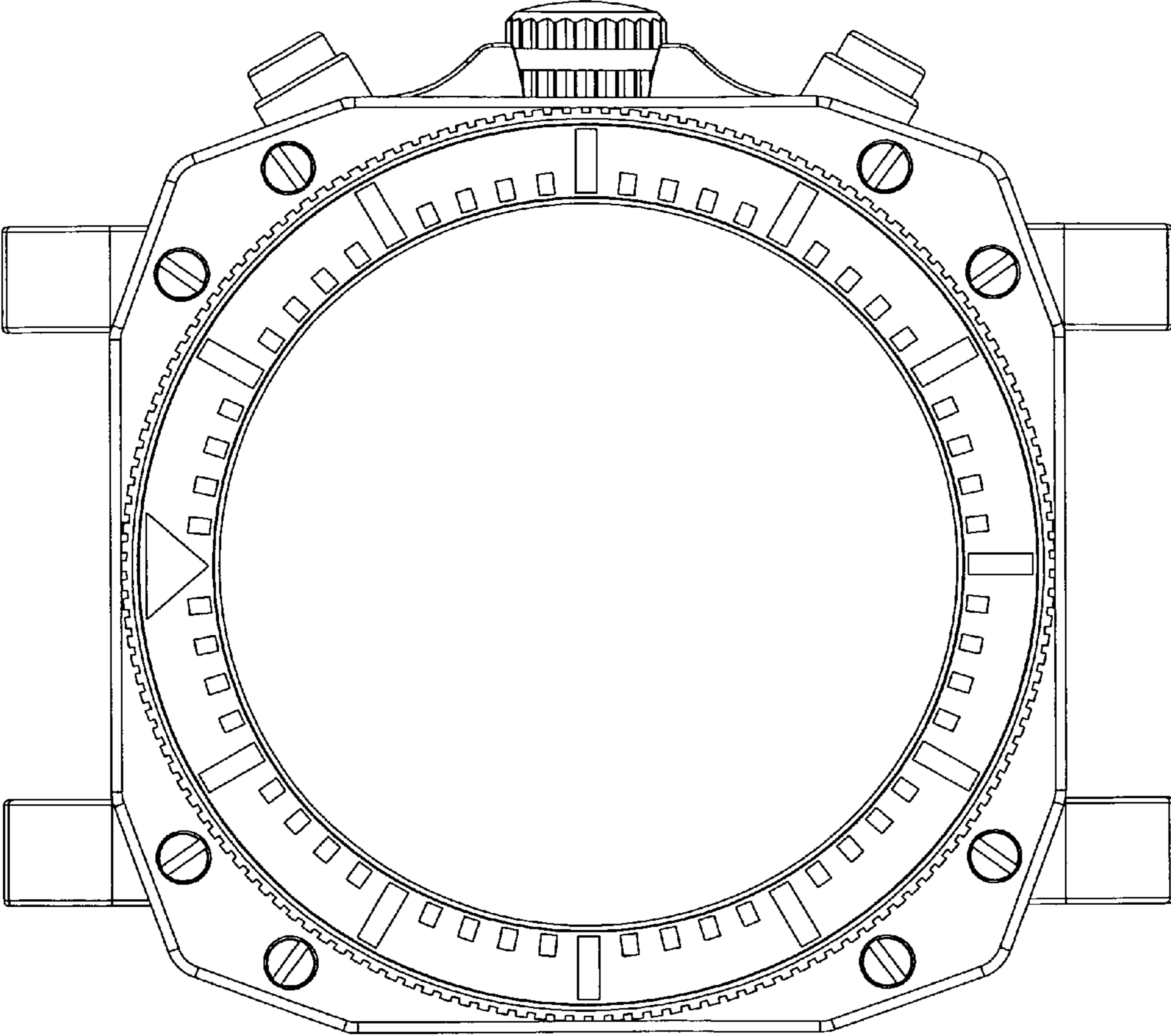


FIGURE 7

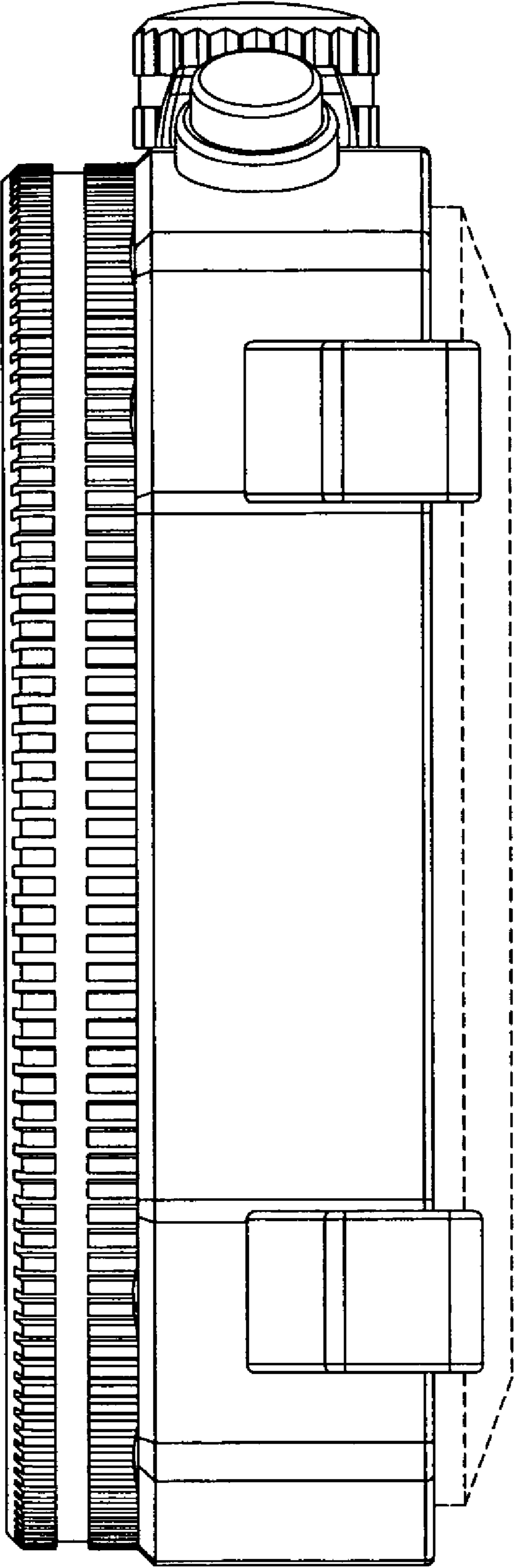


FIGURE 8

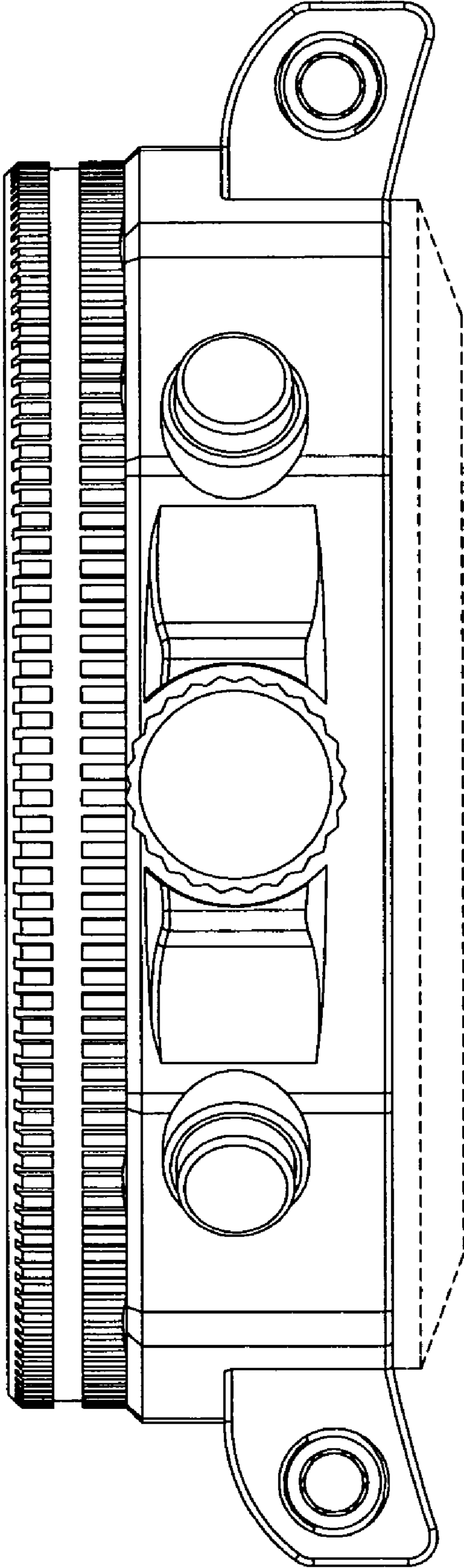


FIGURE 9

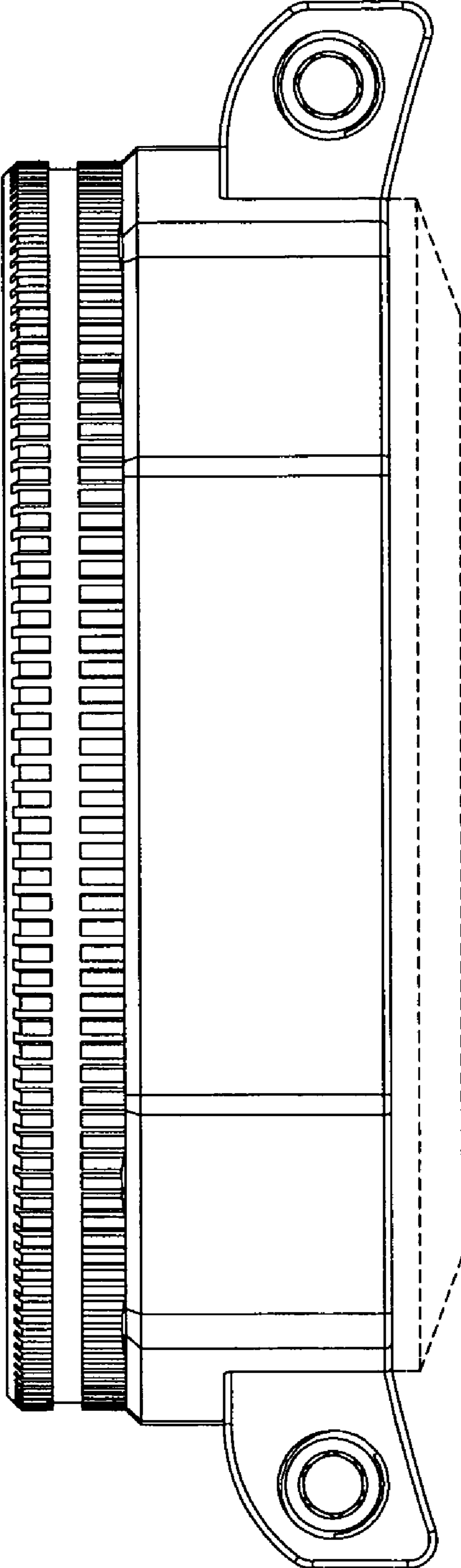


FIGURE 10