



US00D630529S

(12) **United States Design Patent**
Alvares et al.

(10) **Patent No.:** **US D630,529 S**
(45) **Date of Patent:** **** Jan. 11, 2011**

(54) **CAN**
(75) Inventors: **Antonio Carlos Teixeira Alvares**, Sao Paulo (BR); **Silverio Candido Da Cunha**, Lajeado (BR)
(73) Assignee: **Brasilata S/A Embalagens Metalicas**, Sao Paulo-SP (BR)
(**) Term: **14 Years**
(21) Appl. No.: **29/355,499**
(22) Filed: **Feb. 9, 2010**

(30) **Foreign Application Priority Data**
Aug. 14, 2009 (BR) DI6903194
(51) **LOC (9) Cl.** **09-03**
(52) **U.S. Cl.** **D9/766**
(58) **Field of Classification Search** D9/500,
D9/503, 504, 763, 766, 767, 772, 777, 778;
215/385-392; 220/630, 644, 771, 906; D7/612;
D24/121, 224
See application file for complete search history.

(56) **References Cited**
U.S. PATENT DOCUMENTS
D245,964 S * 10/1977 Sexton et al. D9/772
D246,030 S * 10/1977 Sexton et al. D9/772
D247,772 S * 4/1978 Sexton, Jr. D9/772
D257,958 S * 1/1981 Sexton, Jr. D9/772

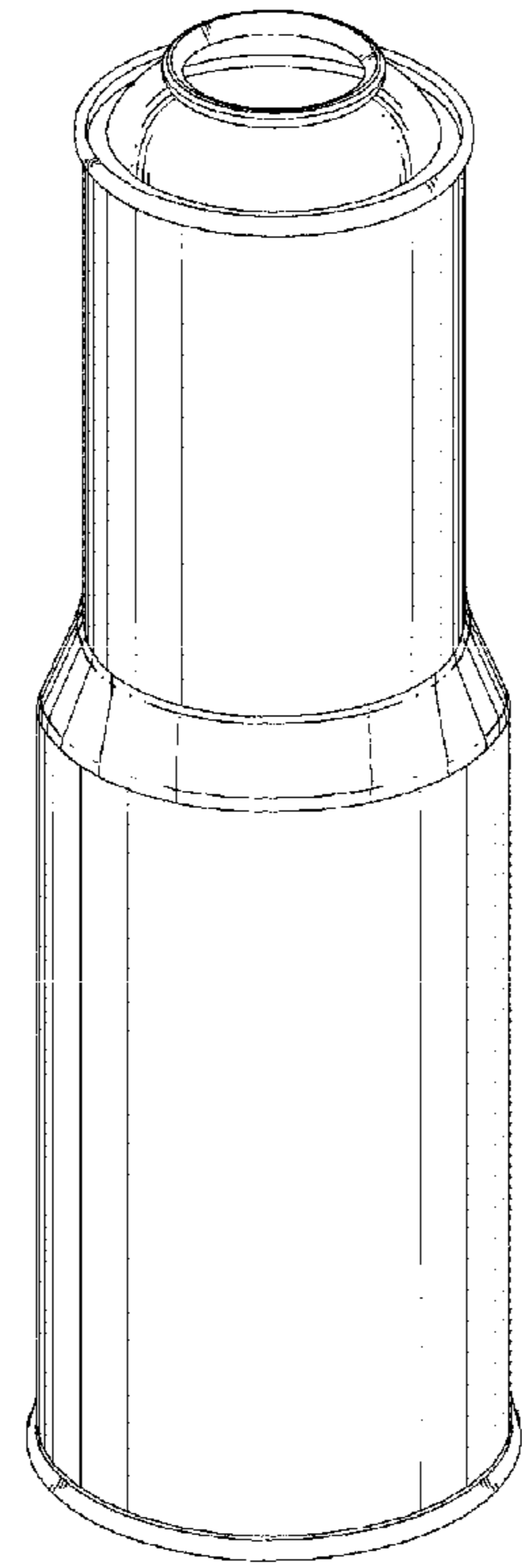
D378,572 S * 3/1997 Culverwell et al. D9/772
D393,205 S * 4/1998 Jansen D9/772
D403,964 S * 1/1999 Jansen D9/772
D445,689 S * 7/2001 McCutchan D9/772
D554,000 S * 10/2007 Walsh D9/772

* cited by examiner
Primary Examiner—Shanda C Hill
(74) *Attorney, Agent, or Firm*—Fish & Richardson P.C.

(57) **CLAIM**
The ornamental design for a can, as shown and described.

DESCRIPTION
FIG. 1 is a top, side perspective view of the first embodiment of a can showing our new design;
FIG. 2 is a side view thereof; and
FIG. 3 is a top view thereof;
FIG. 4 is a top, side perspective view of the second embodiment of the can;
FIG. 5 is a side view thereof; and
FIG. 6 is a top view thereof;
FIG. 7 is a top, side perspective view of the third embodiment of the can;
FIG. 8 is a side view thereof; and,
FIG. 9 is a top view thereof.
The bottom of the can is devoid of surface ornamentation.

1 Claim, 6 Drawing Sheets



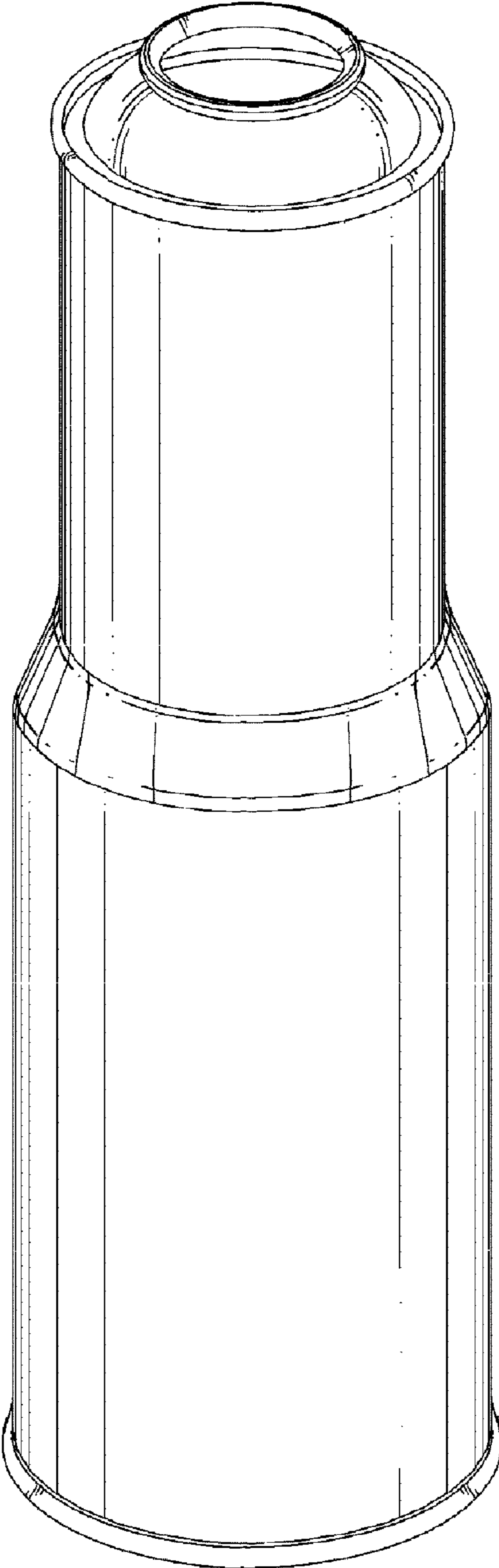


FIG. 1

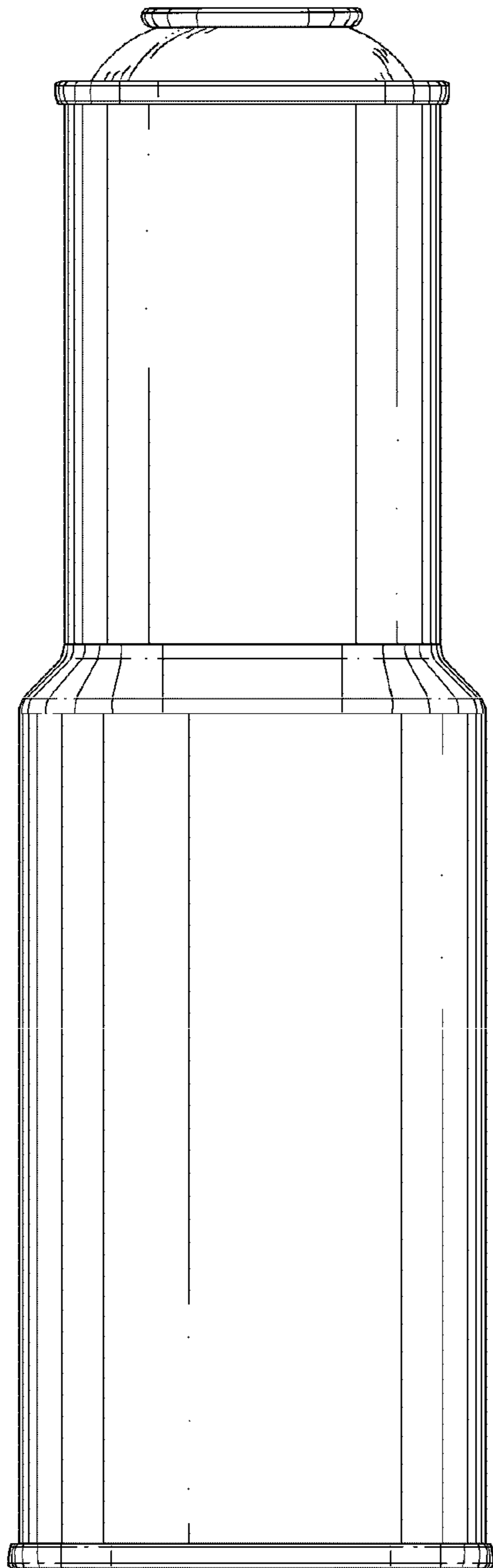


FIG. 2

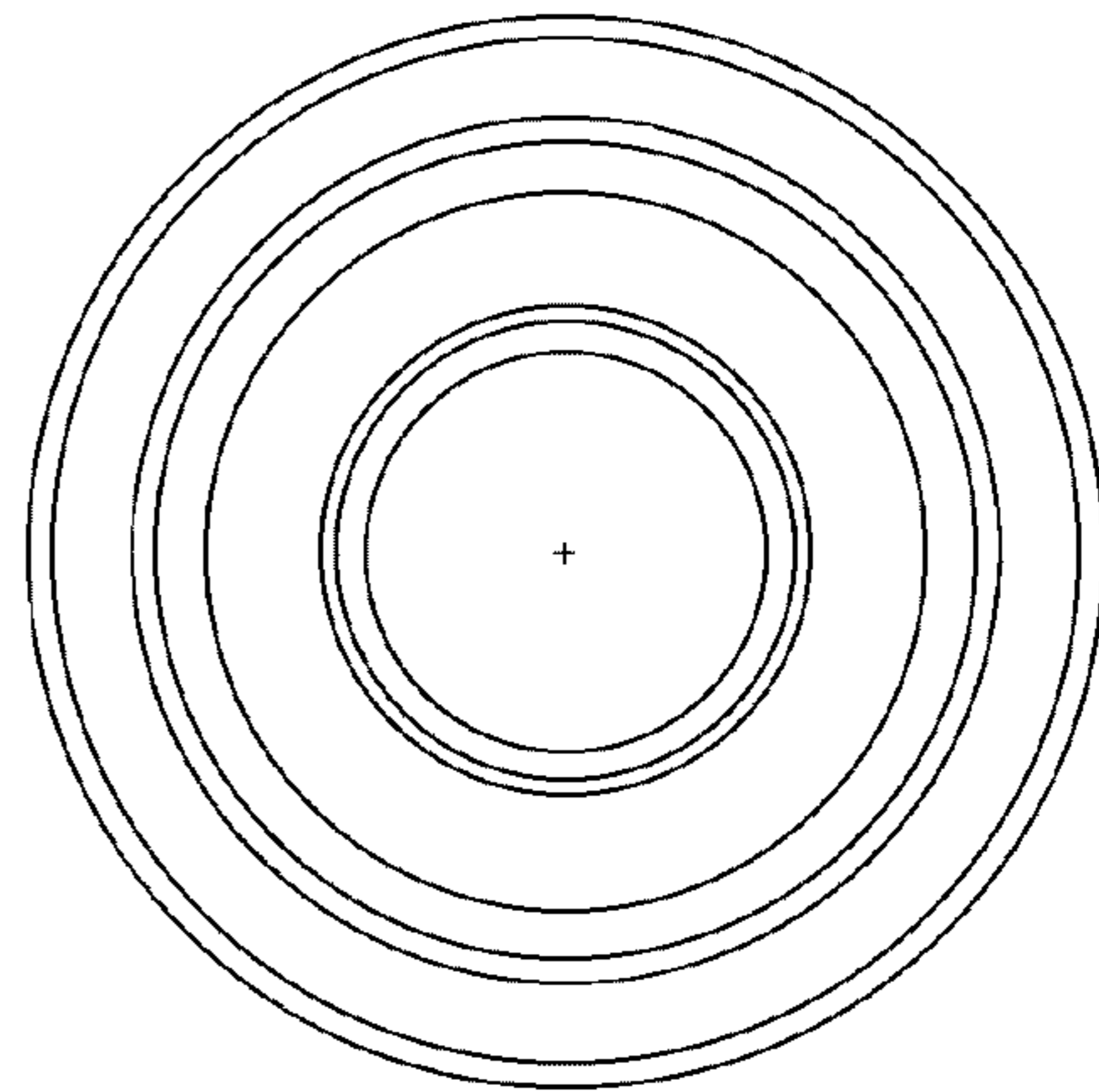


FIG. 3

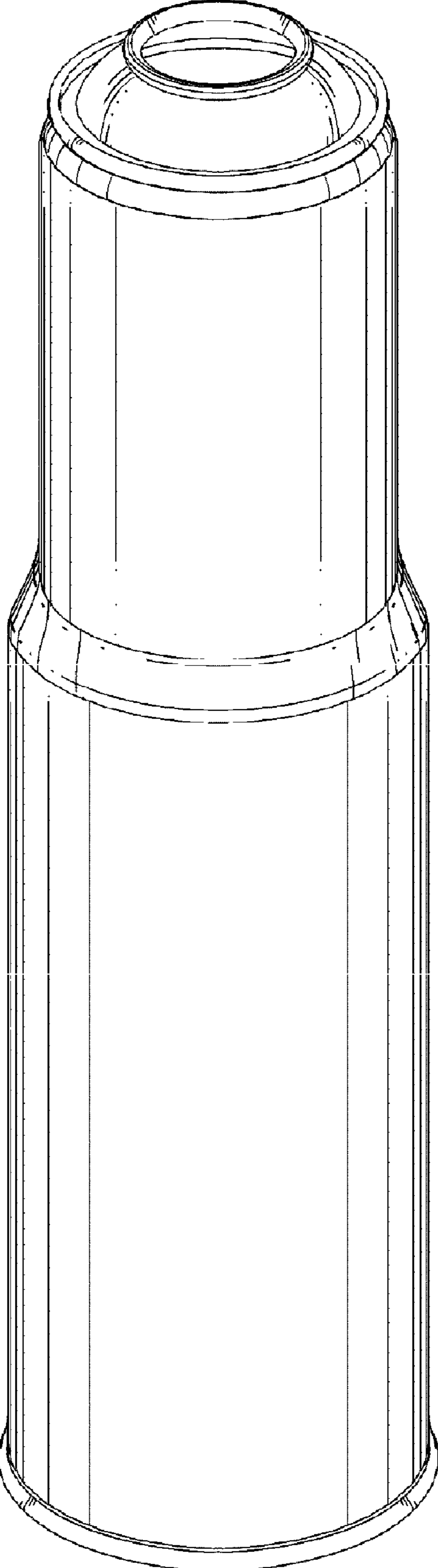


FIG. 4

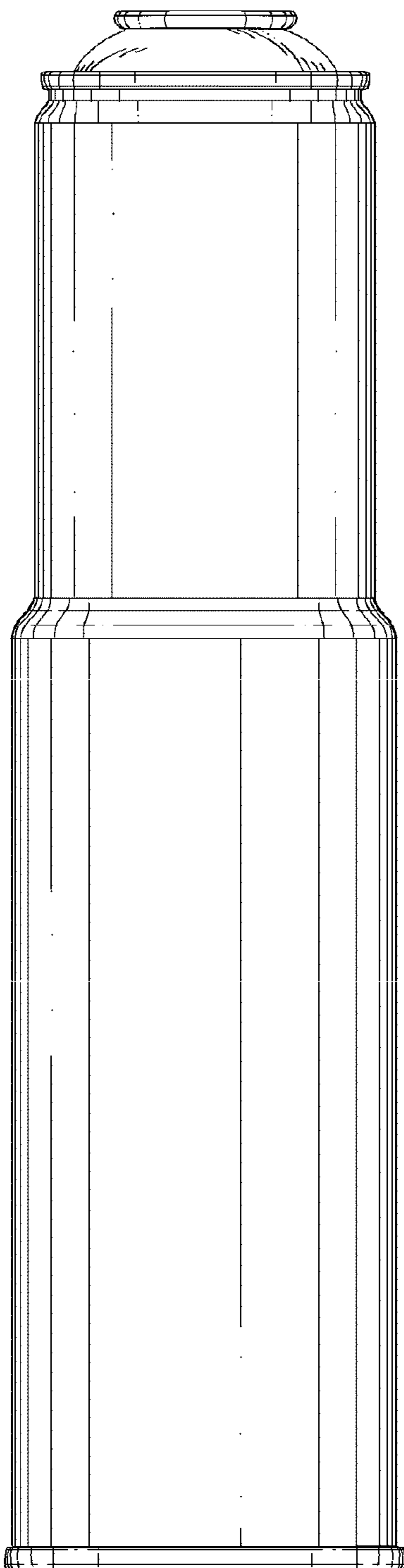


FIG. 5

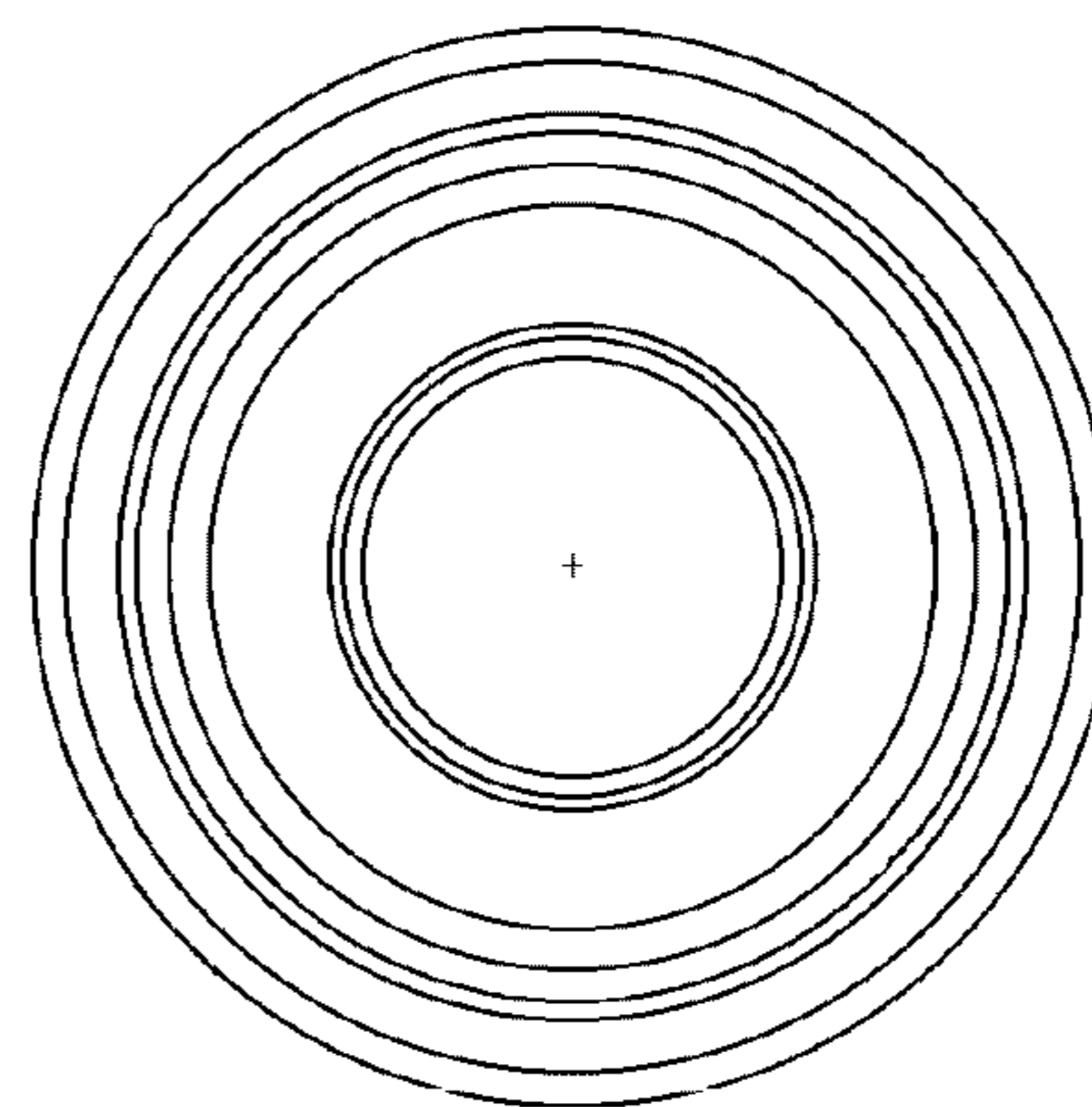


FIG. 6

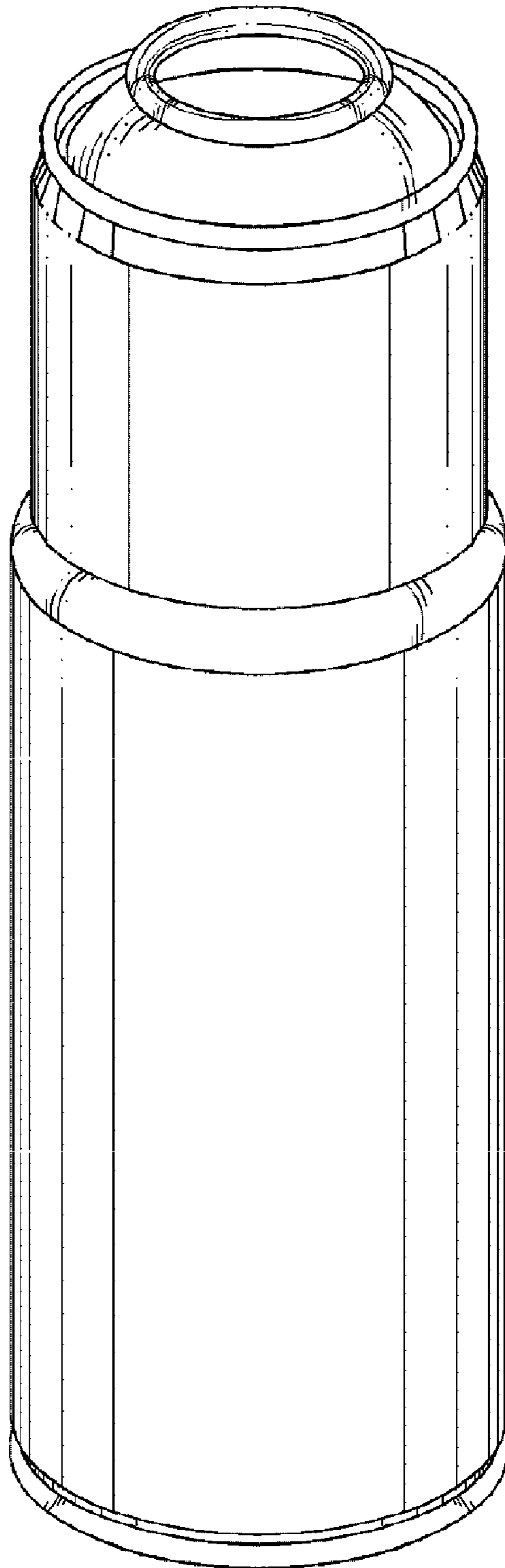


FIG. 7

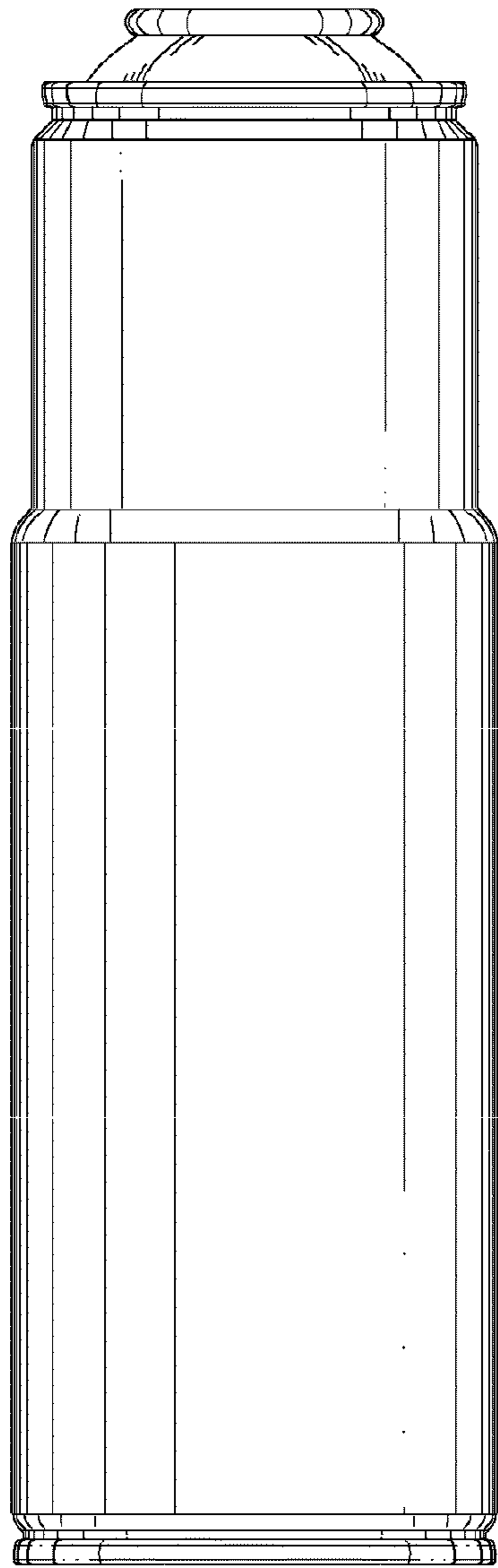


FIG. 8

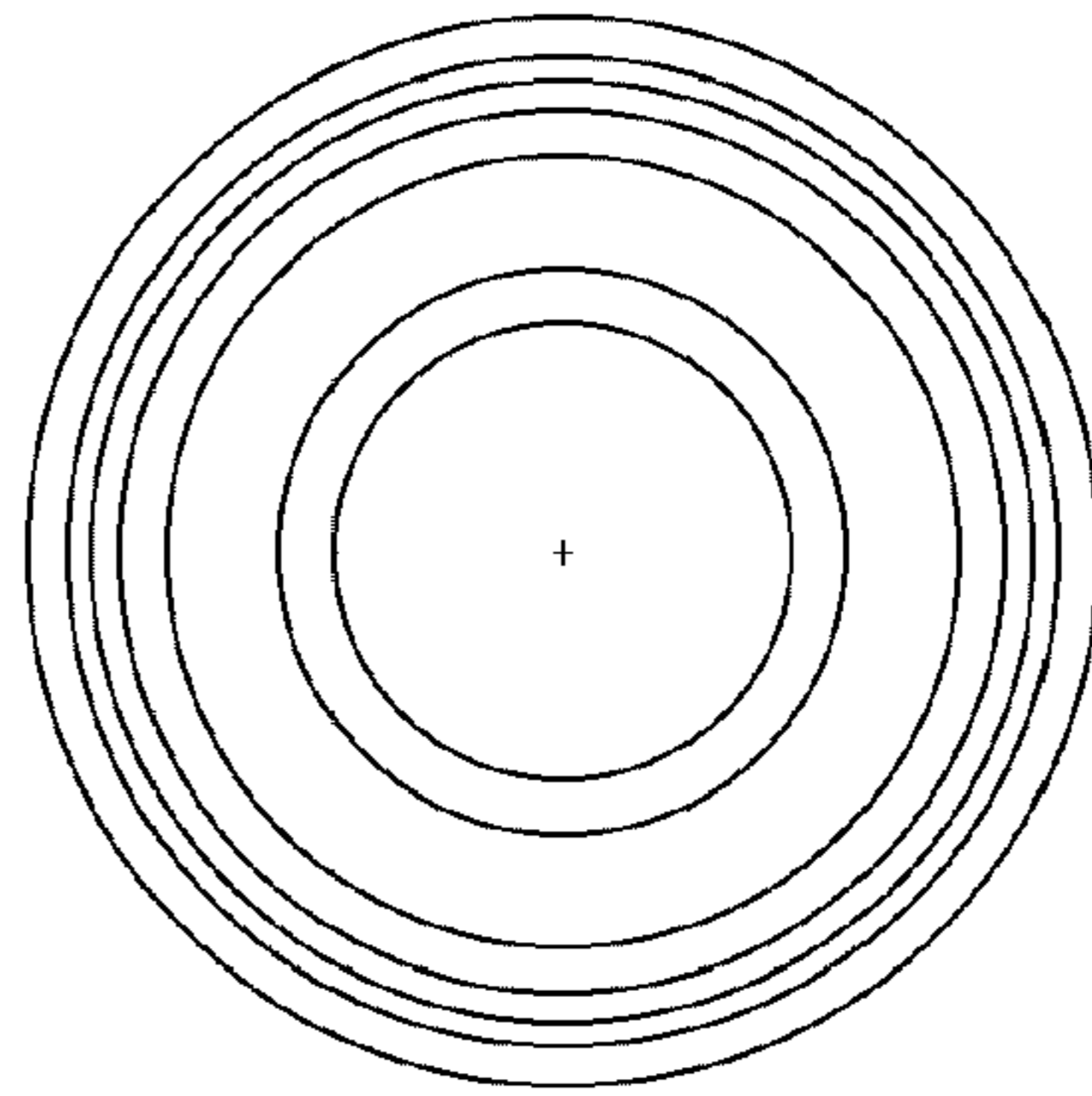


FIG. 9