



US00D630518S

(12) **United States Design Patent**
Biesecker et al.

(10) **Patent No.:** **US D630,518 S**

(45) **Date of Patent:** **** Jan. 11, 2011**

(54) **BOTTLE**

(75) Inventors: **Frederick N. Biesecker**, Boyertown, PA (US); **William Gordon Knestrick, III**, Macungie, PA (US)

(73) Assignee: **Drug Plastics & Glass Company, Inc.**, Boyertown, PA (US)

(**) Term: **14 Years**

(21) Appl. No.: **29/356,938**

(22) Filed: **Mar. 4, 2010**

(51) **LOC (9) Cl.** **09-01**

(52) **U.S. Cl.** **D9/558; D9/547; D9/560; D9/767**

(58) **Field of Classification Search** D9/682, D9/685-687, 693-694, 776-778, 516, 544, D9/547-548, 558, 560, 572, 574; 215/371, 215/379, 381-382

See application file for complete search history.

(56) **References Cited**

U.S. PATENT DOCUMENTS

D8,207 S *	3/1875	Gulden	D9/503
D53,887 S *	10/1919	Connor	D9/767
D54,197 S *	11/1919	Connor	D9/767
D58,366 S *	7/1921	Hothersall	D9/766
1,837,068 A	12/1931	Richter		
D90,558 S	8/1933	Tricard		
D132,180 S	4/1942	Ireys		
2,364,126 A *	12/1944	Cantor et al.	215/6 X
D189,556 S	1/1961	Wolf		
D225,211 S	11/1972	Sackler et al.		
D261,863 S *	11/1981	Pardo	D9/504
D261,987 S	11/1981	Pardo		
D267,076 S *	11/1982	Hurtig	D9/560 X
D279,546 S	7/1985	Marcus		
D285,533 S *	9/1986	Berish et al.	D9/503
D287,103 S	12/1986	Thieffry		
D313,176 S	12/1990	Okuda et al.		
D346,334 S	4/1994	Ahlsvik		
D451,812 S	12/2001	Colonna de Giovellina		

D467,805 S *	12/2002	Restrepo	D9/558 X
D481,640 S	11/2003	Biesecker		
D491,069 S	6/2004	Heliste et al.		
6,997,336 B2	2/2006	Yourist et al.		
D561,040 S	2/2008	Sequeira		
D568,747 S *	5/2008	Sequeira	D9/500
D568,754 S	5/2008	Sequeira		

(Continued)

FOREIGN PATENT DOCUMENTS

GB 3015401 * 1/2004

Primary Examiner—Carol Rademaker

(74) *Attorney, Agent, or Firm*—Panitch Schwarze Belisario & Nadel LLP

(57) **CLAIM**

The ornamental design for a bottle, as shown and described.

DESCRIPTION

FIG. 1 is a top, front, and left side perspective view in accordance with our new design;

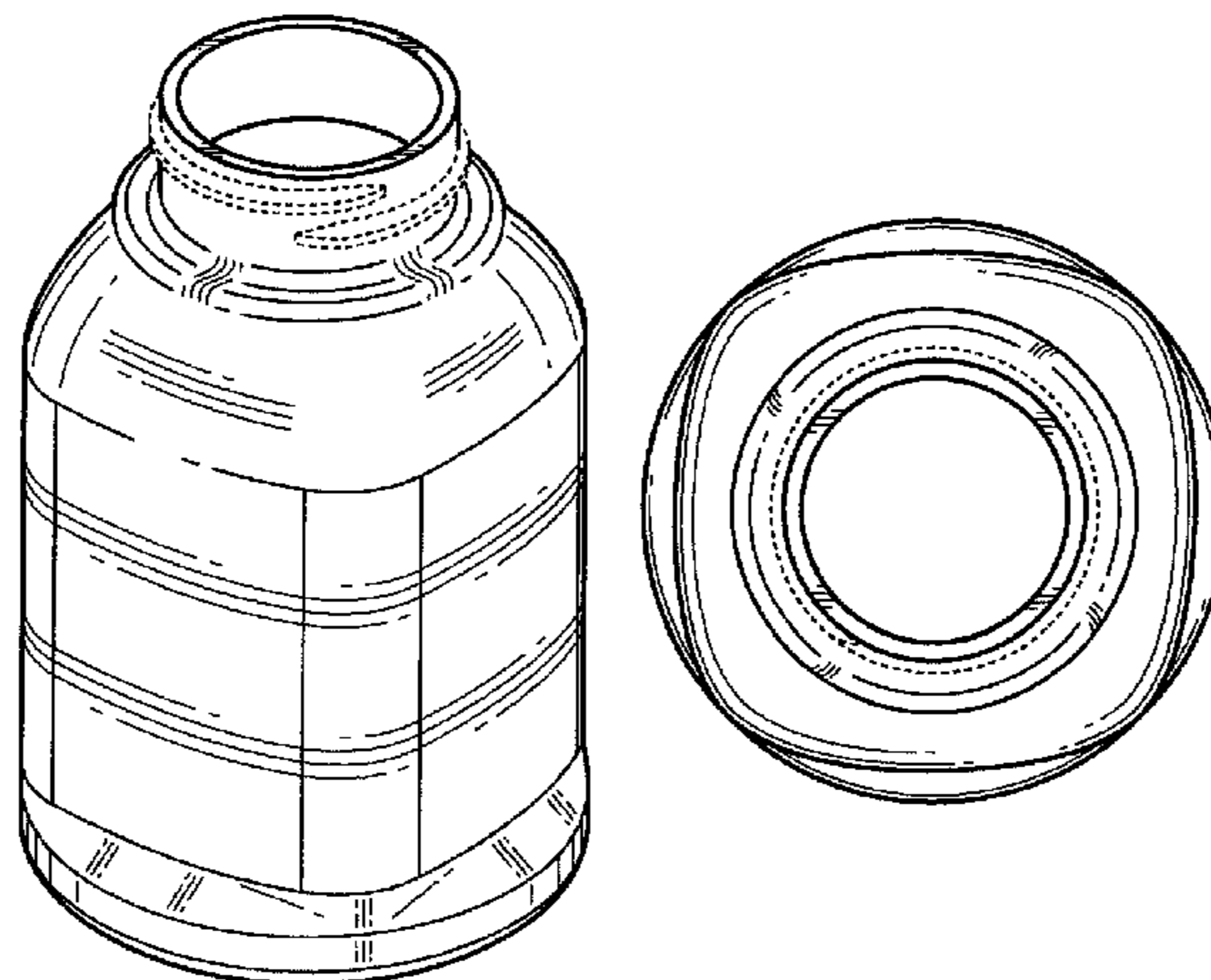
FIG. 2 is a front elevational view thereof, the rear elevational view, right side elevational view, and left side elevational view being identical except for the unclaimed thread;

FIG. 3 is a top plan view thereof; and,

FIG. 4 is a front and right side corner elevational view thereof, the front, and left side corner elevational view, the rear and right side corner elevational view, and the rear and left side corner elevational view being identical except for the unclaimed thread.

The broken lines in the drawings of a pour spout thread is included for the purpose of showing environmental structure that forms no part of the claimed design.

1 Claim, 2 Drawing Sheets



US D630,518 S

Page 2

U.S. PATENT DOCUMENTS

D569,261 S 5/2008 Sequeira
D592,510 S 5/2009 Dell'Orto
D596,949 S 7/2009 Flude

D611,344 S * 3/2010 Longacre D9/500
D619,014 S * 7/2010 Jensen et al. D9/548
D619,473 S * 7/2010 Biesecker et al. D9/560

* cited by examiner

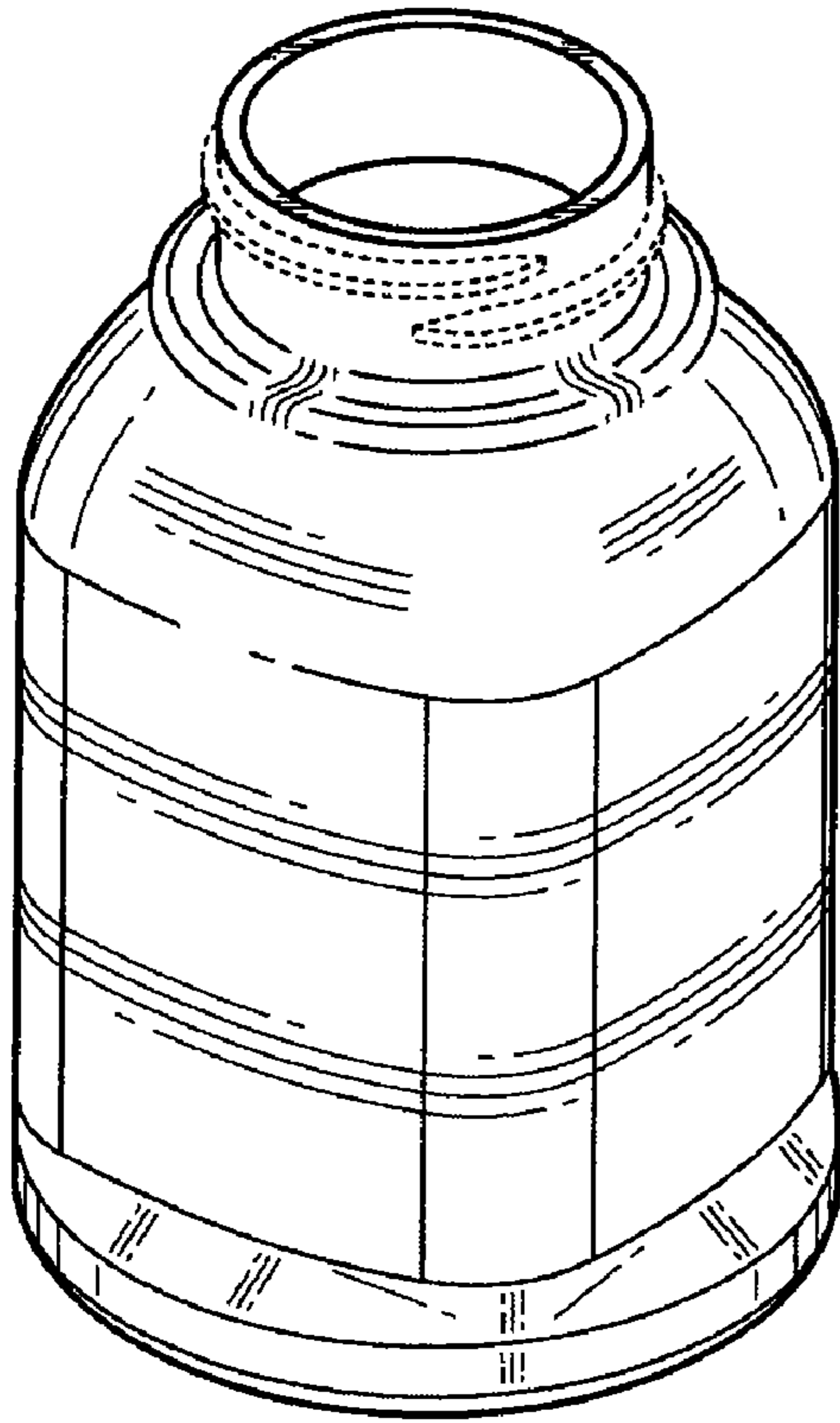


FIG. 1

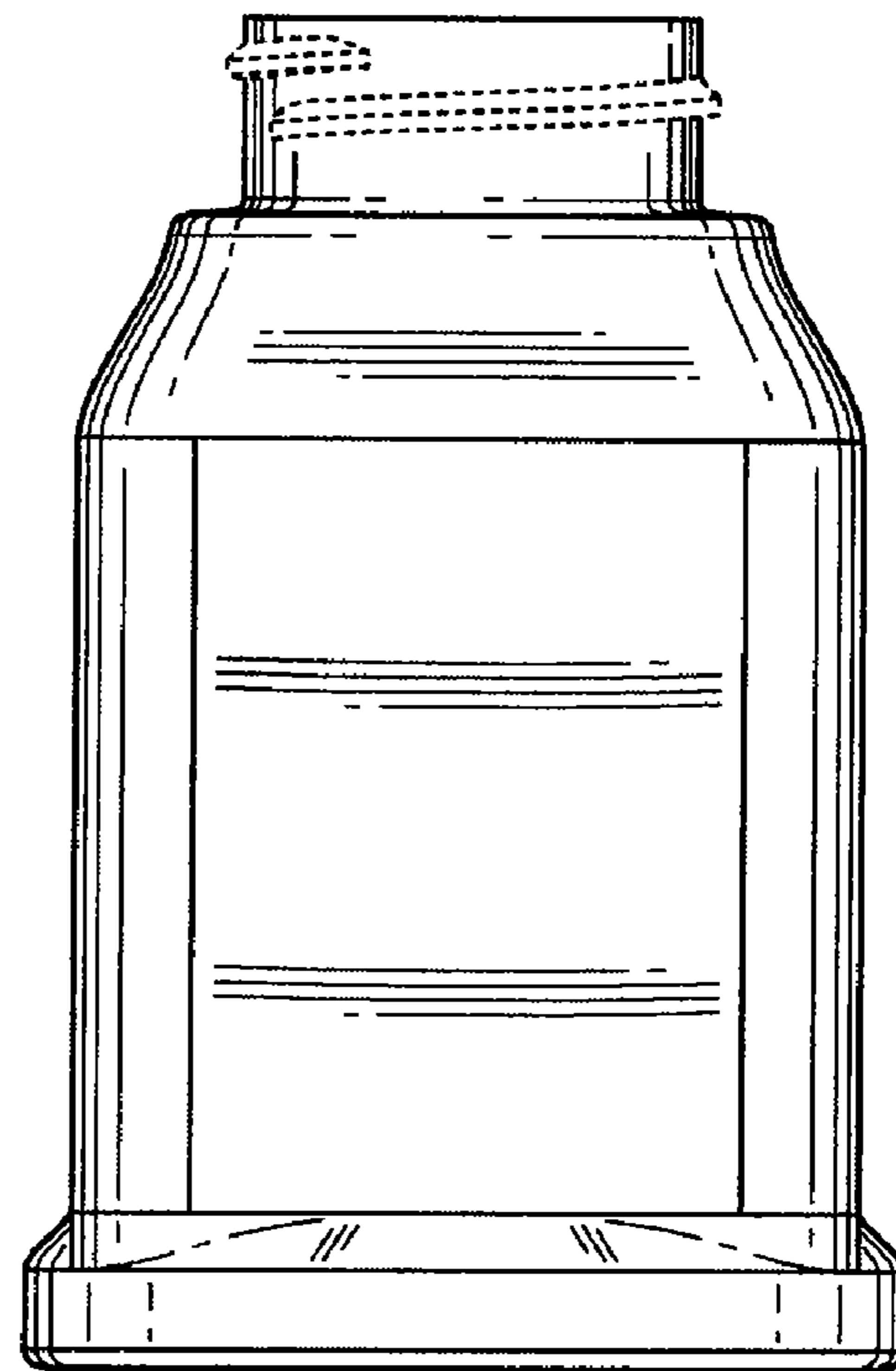


FIG. 2

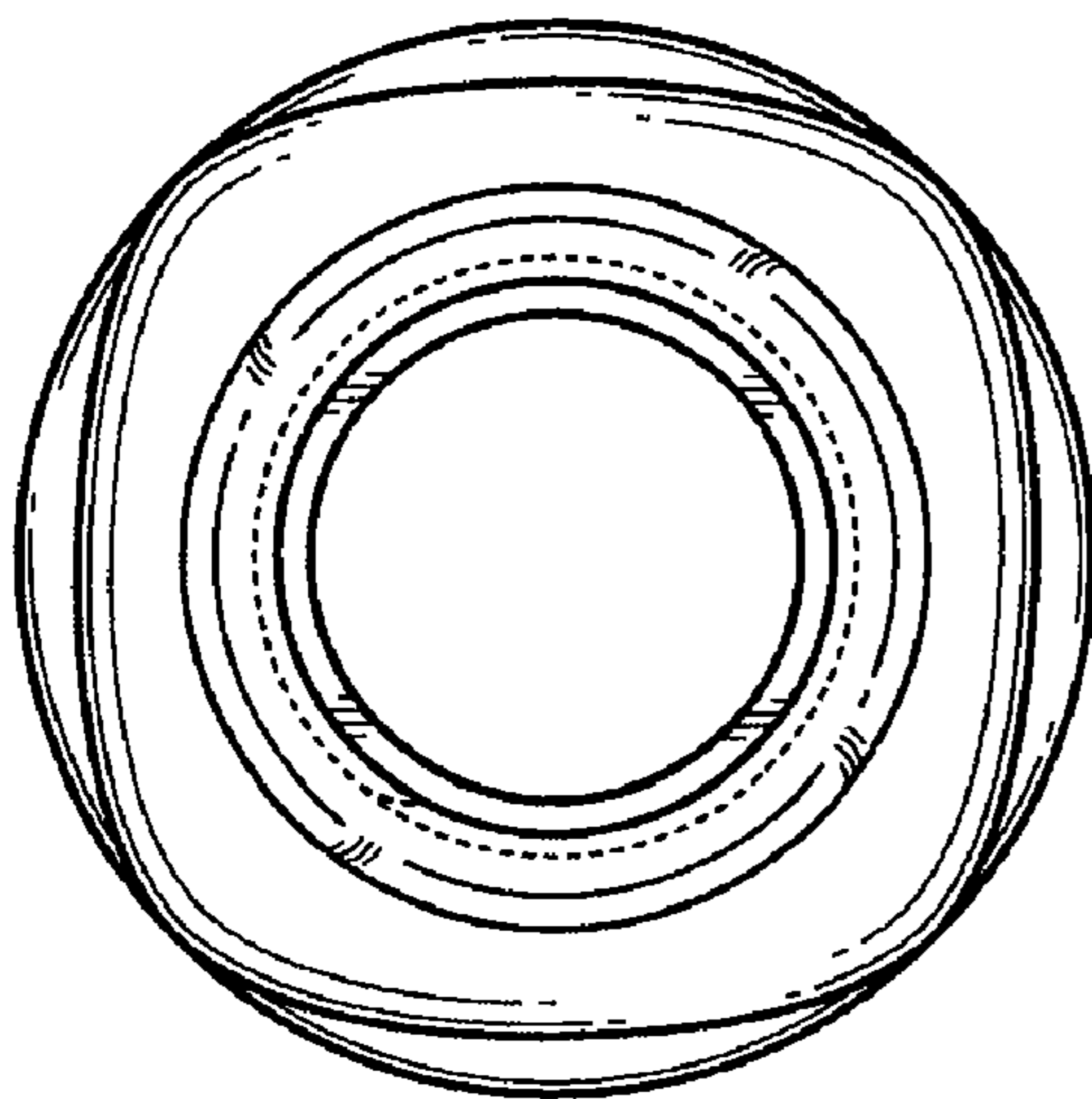


FIG. 3

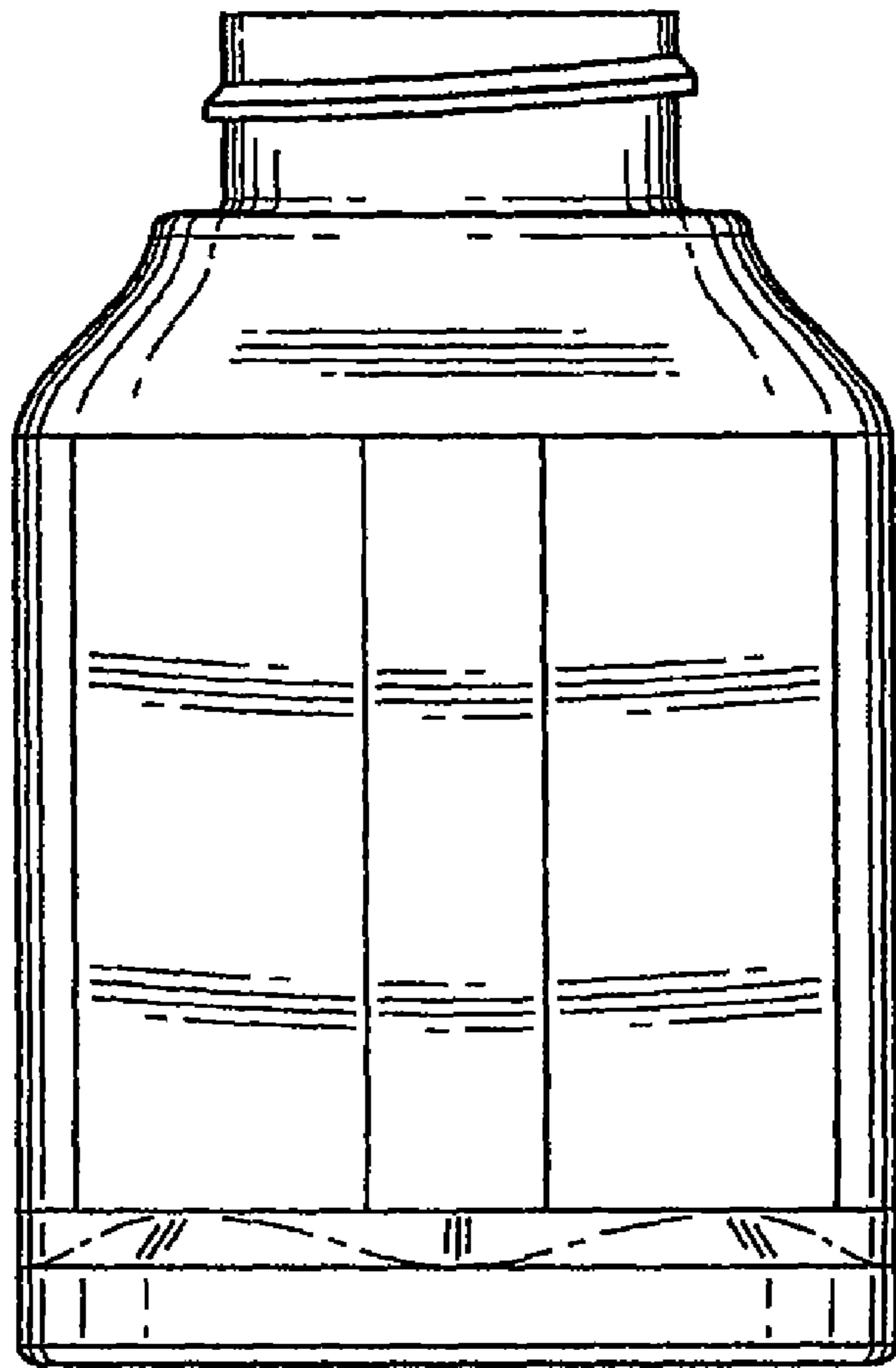


FIG. 4