



US00D630514S

(12) **United States Design Patent**
Niikura et al.

(10) **Patent No.:** **US D630,514 S**
(45) **Date of Patent:** **** Jan. 11, 2011**

(54) **PACKAGING CONTAINER**

(75) Inventors: **Kazuhiro Niikura**, Tokyo (JP); **Yumiko Kamisaku**, Tokyo (JP)

(73) Assignee: **Kosé Corporation**, Tokyo (JP)

(**) Term: **14 Years**

(21) Appl. No.: **29/352,553**

(22) Filed: **Dec. 22, 2009**

(30) **Foreign Application Priority Data**

Aug. 12, 2009 (JP) 2009-018573

(51) **LOC (9) Cl.** **09-01**

(52) **U.S. Cl.** **D9/504; D9/554**

(58) **Field of Classification Search** D9/500,
D9/502-505, 516, 537-540, 545-546, 549-550,
D9/552-554, 557-558, 574-575, 682, 686,
D9/688-692, 763-764, 772-773, 776-777,
D9/905; D7/300, 300.1, 589, 591, 598, 601,
D7/605, 608; 215/379, 381-384; 220/660,
220/662, 669-673, 675; D28/4, 9, 73, 76,
D28/83, 91

See application file for complete search history.

(56) **References Cited**

U.S. PATENT DOCUMENTS

D272,804 S * 2/1984 Braun D9/504
D411,740 S * 6/1999 Kim D9/553

D450,250 S * 11/2001 Burleson et al. D9/554
D484,646 S * 12/2003 Ditrichstein D28/83
D595,577 S * 7/2009 Uneno D9/504
D613,168 S * 4/2010 Rowland et al. D9/504
D613,603 S * 4/2010 Rowland et al. D9/504

* cited by examiner

Primary Examiner—Charles A Rademaker

Assistant Examiner—Dana L Sipos

(74) *Attorney, Agent, or Firm*—Bacon & Thomas, PLLC

(57) **CLAIM**

The ornamental design for a packaging container, as shown and described.

DESCRIPTION

FIG. 1 is a perspective view of my new design for a packaging container;

FIG. 2 is perspective view of the container showing the cap separated from the lower body;

FIG. 3 is front view thereof;

FIG. 4 is a rear view thereof;

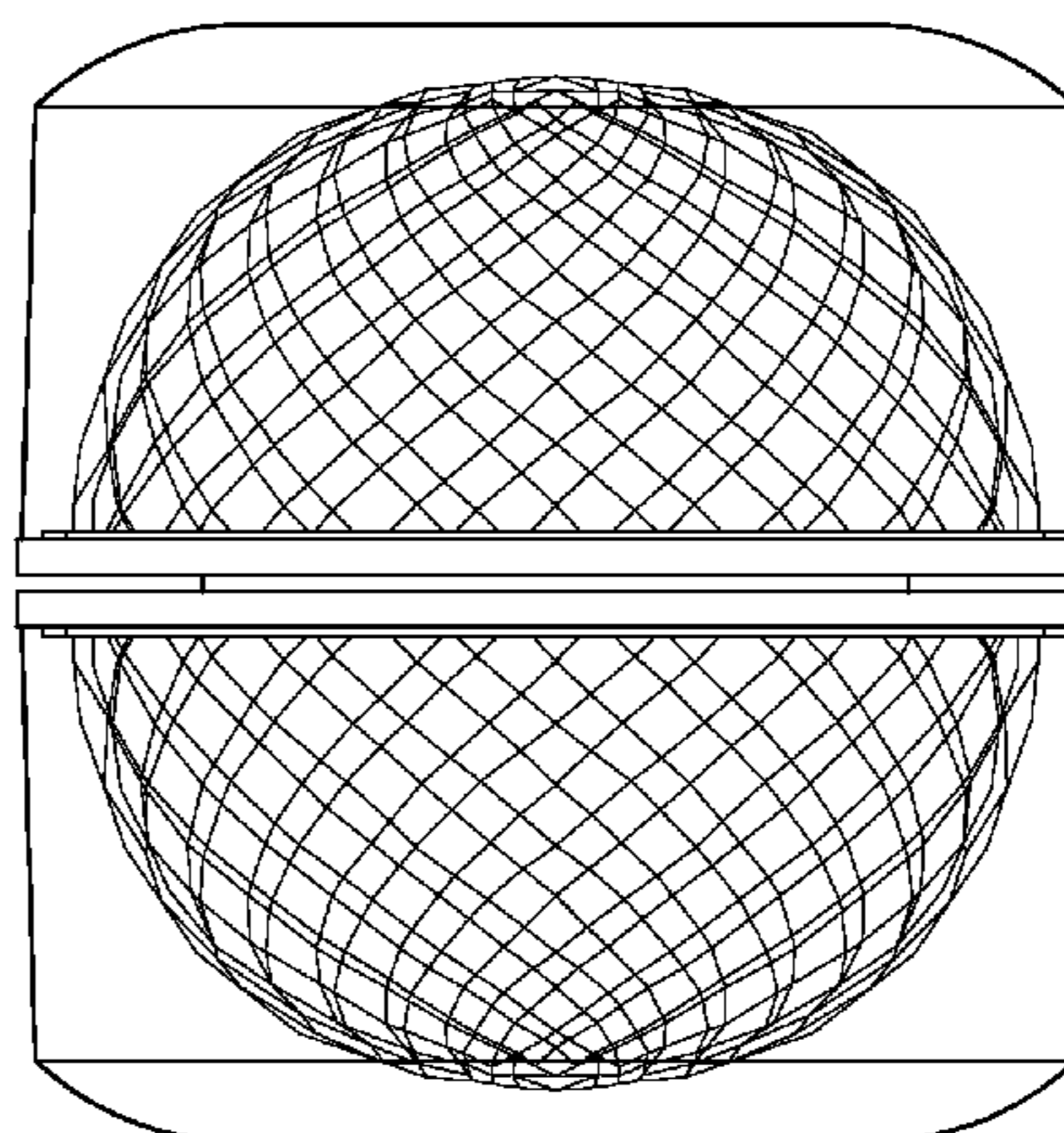
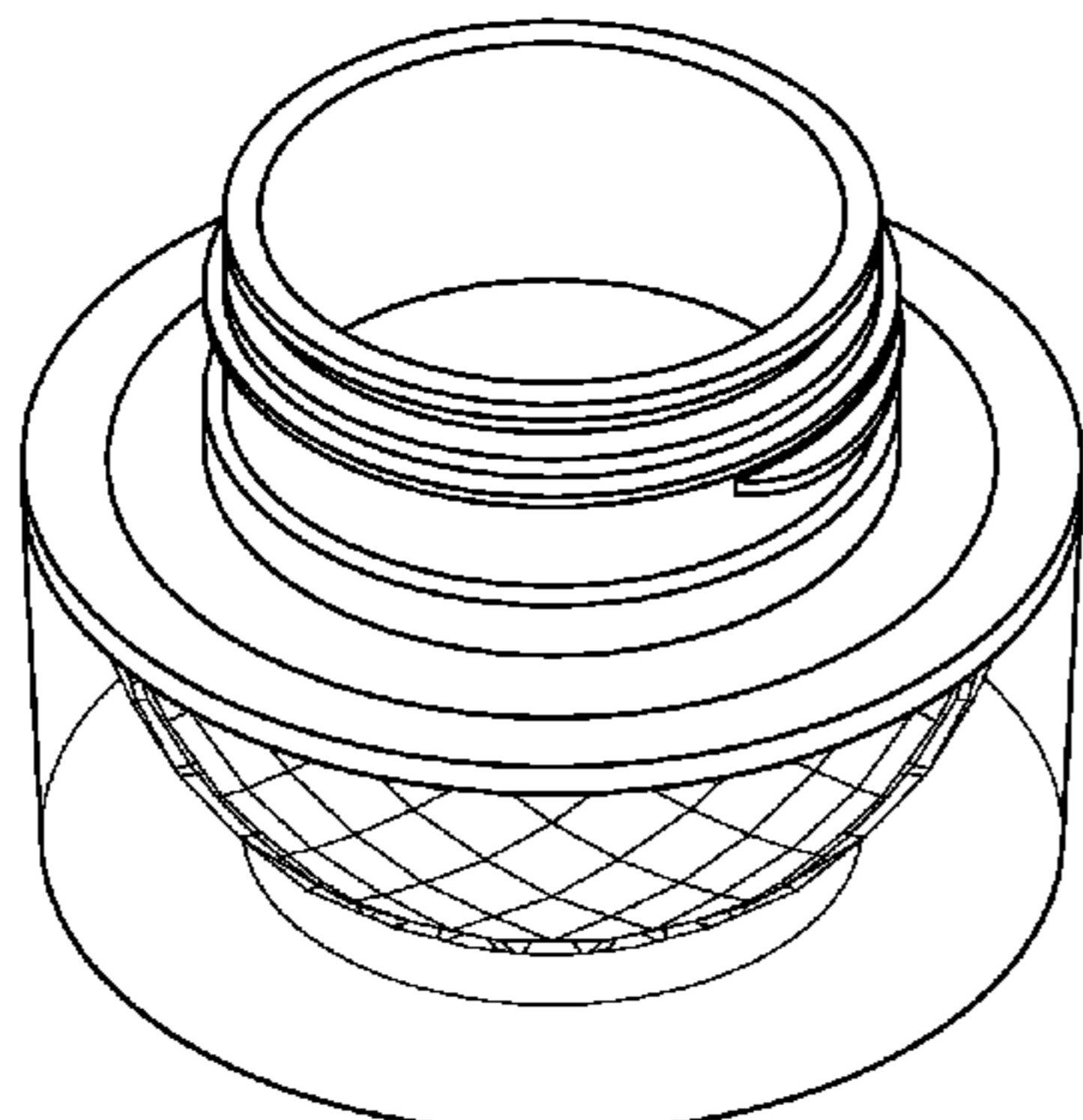
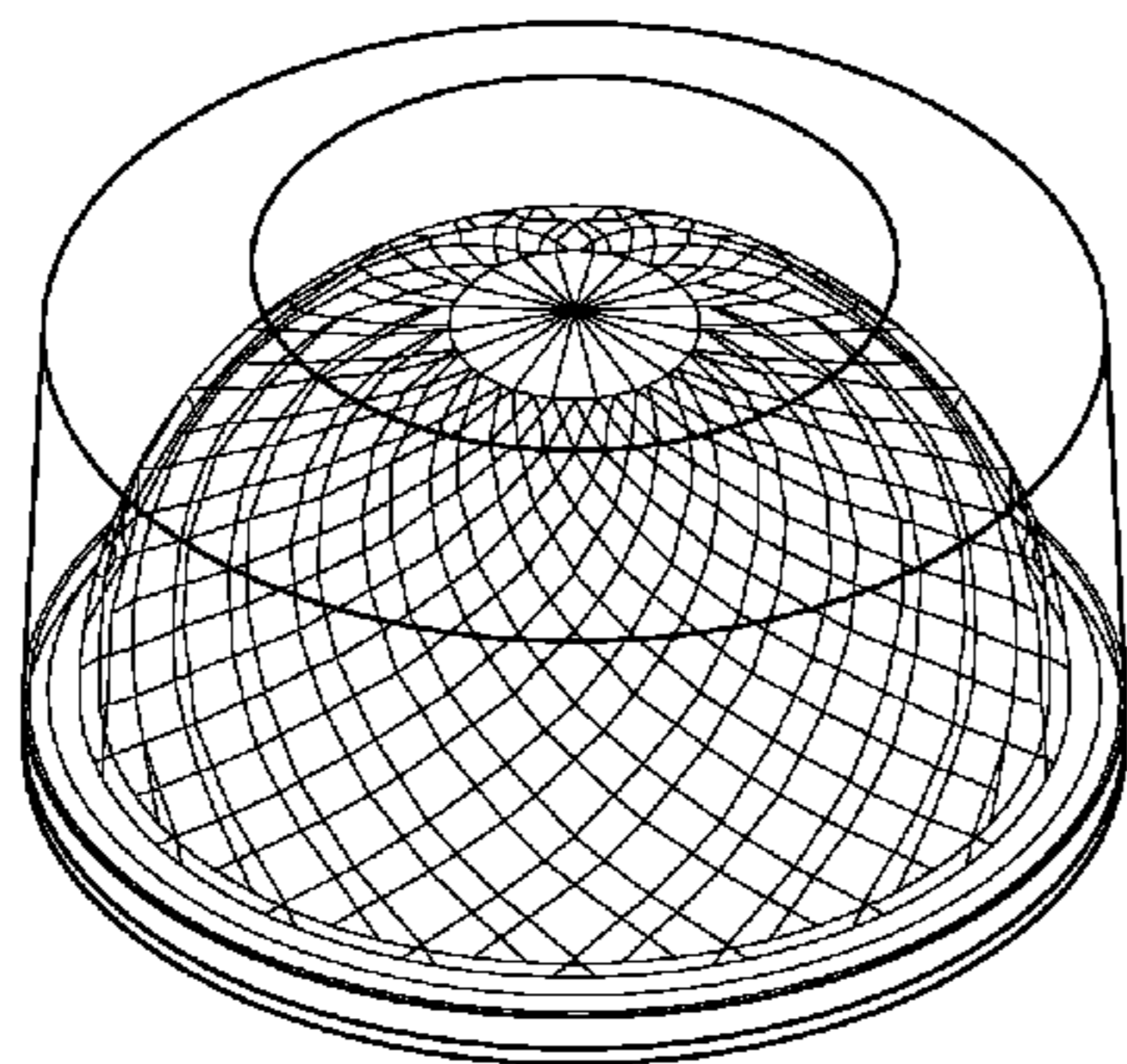
FIG. 5 is top plan view thereof;

FIG. 6 is a bottom view thereof;

FIG. 7 is a right side view thereof; and,

FIG. 8 is a left side view thereof.

1 Claim, 4 Drawing Sheets



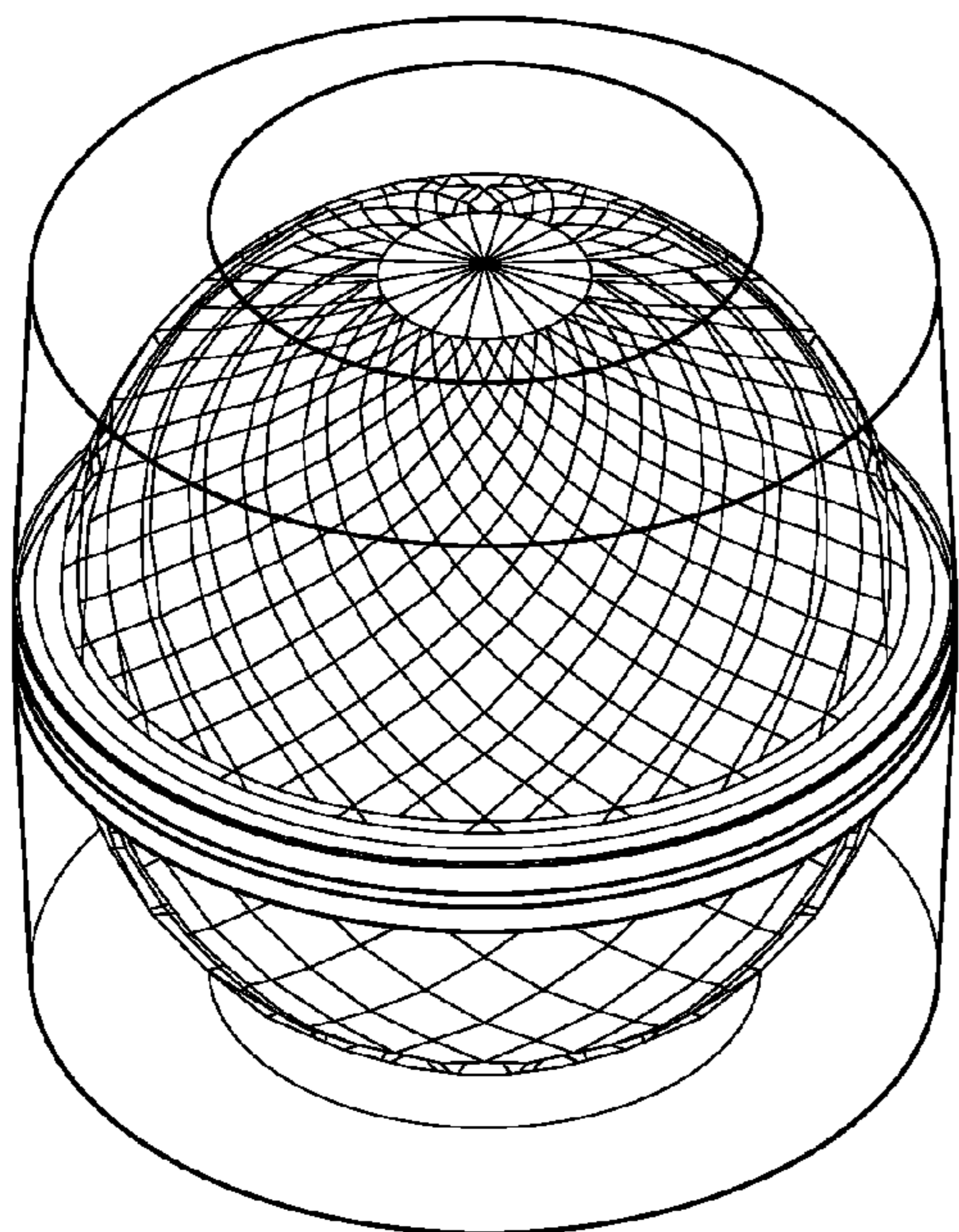


FIG. 1

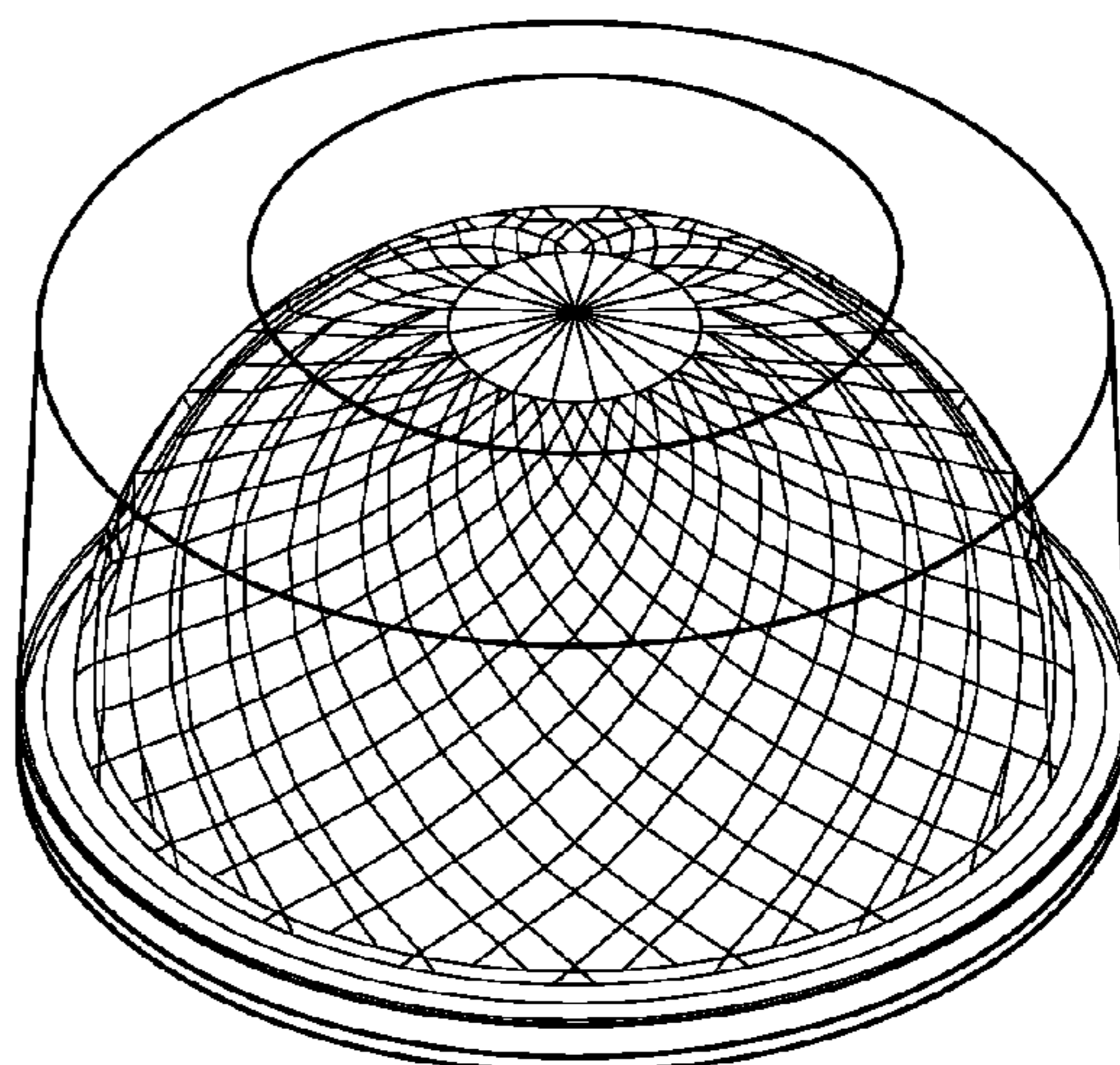
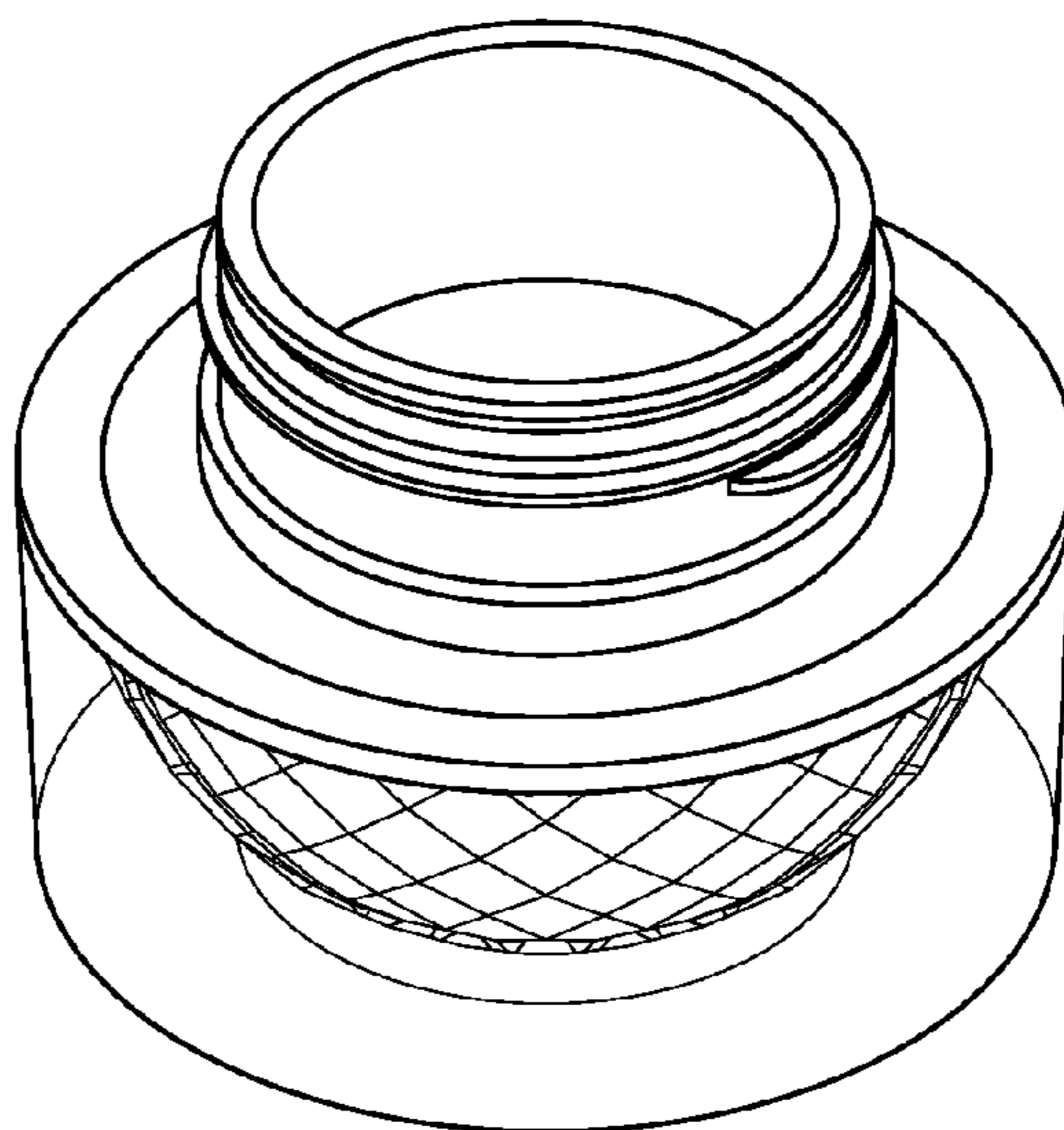


FIG. 2



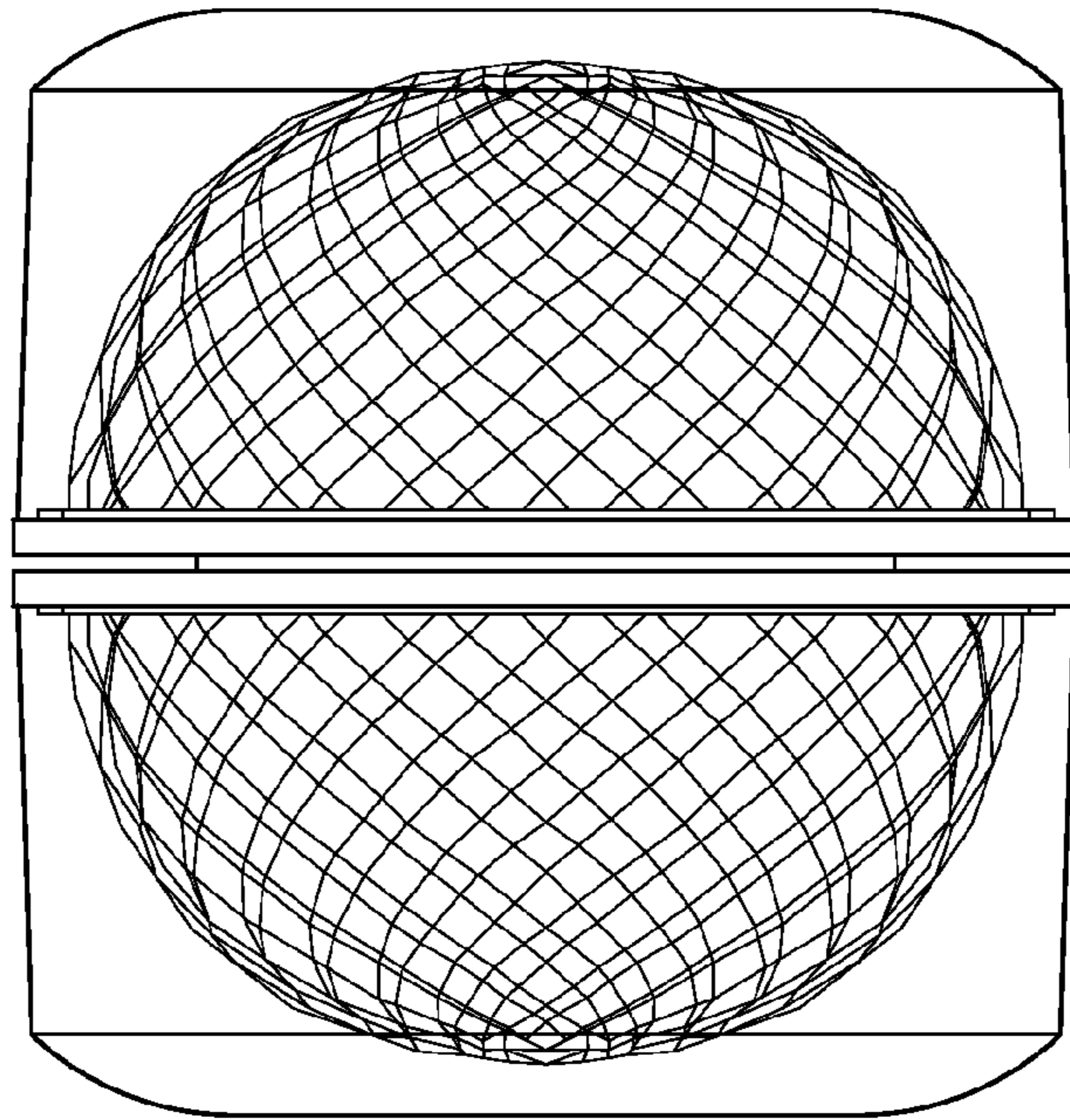


FIG. 3

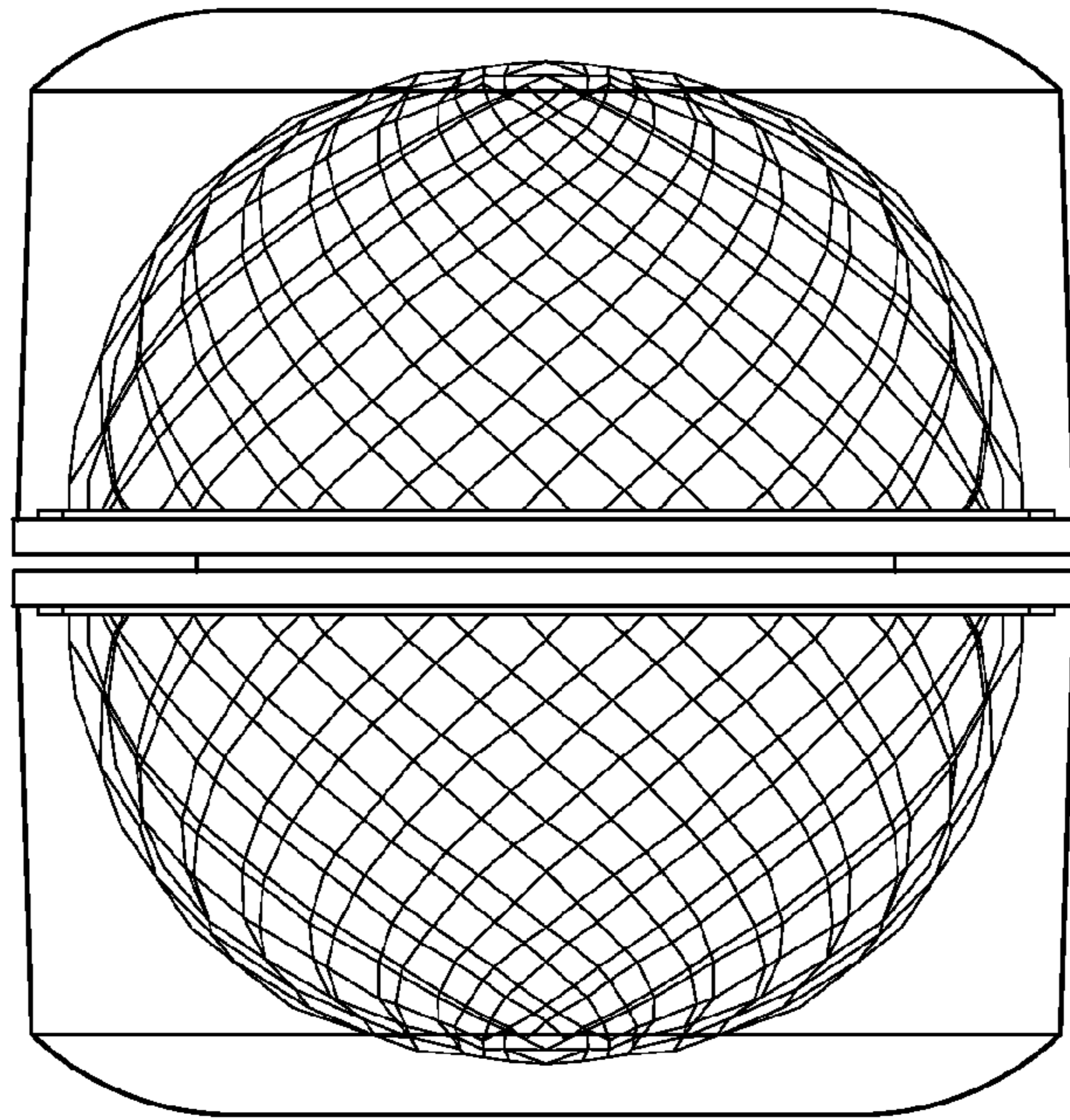


FIG. 4

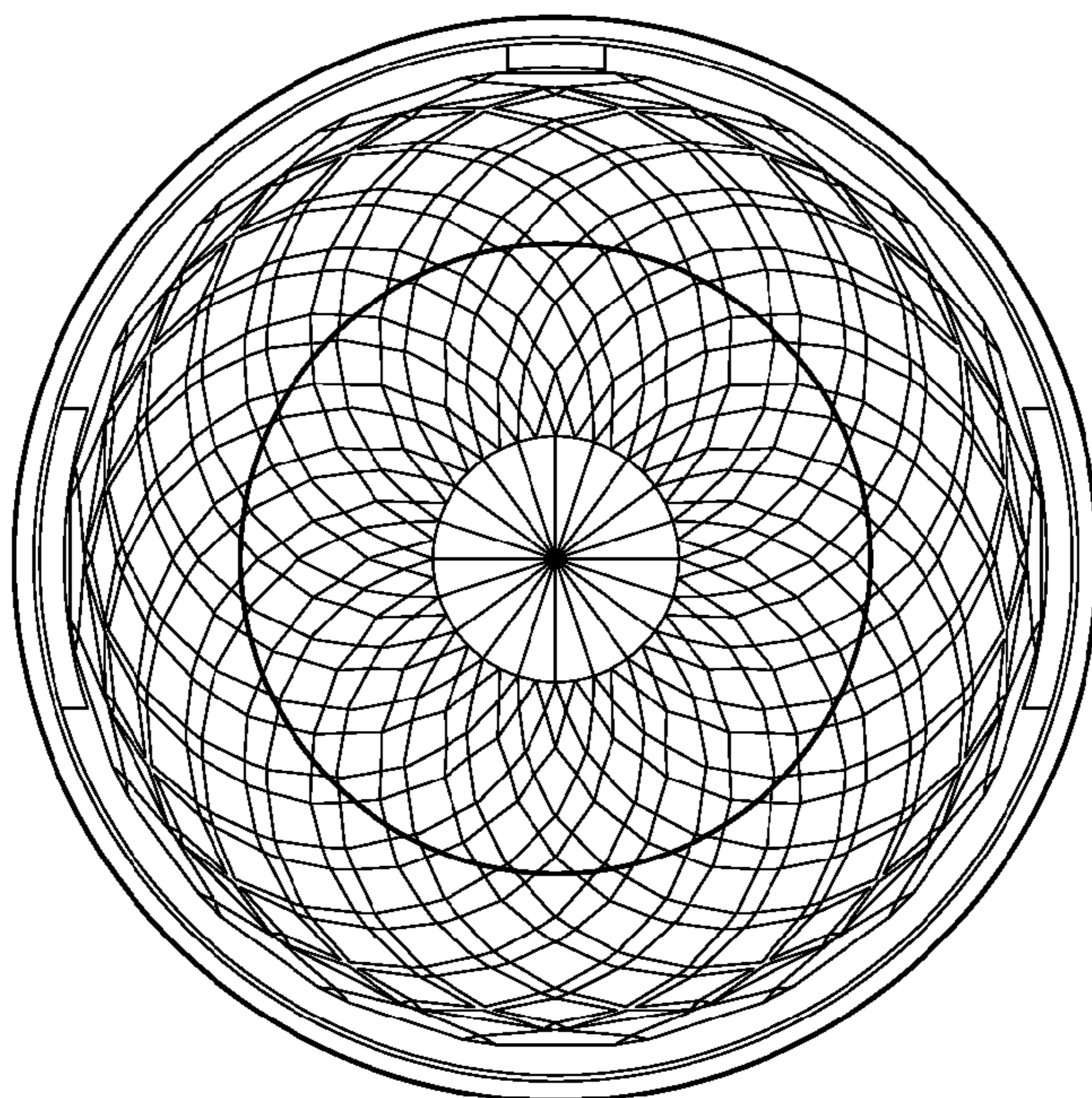


FIG. 5

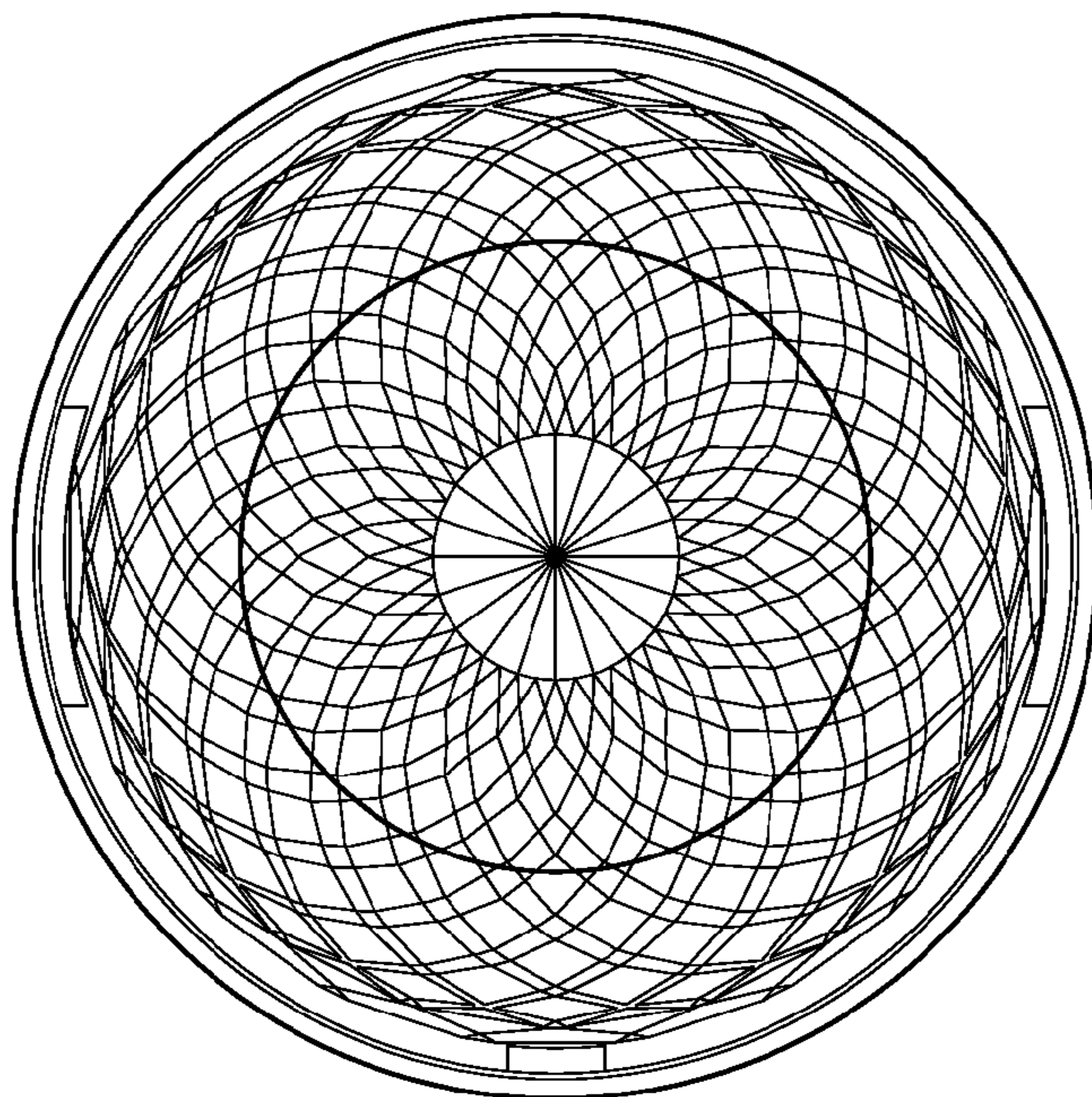


FIG. 6

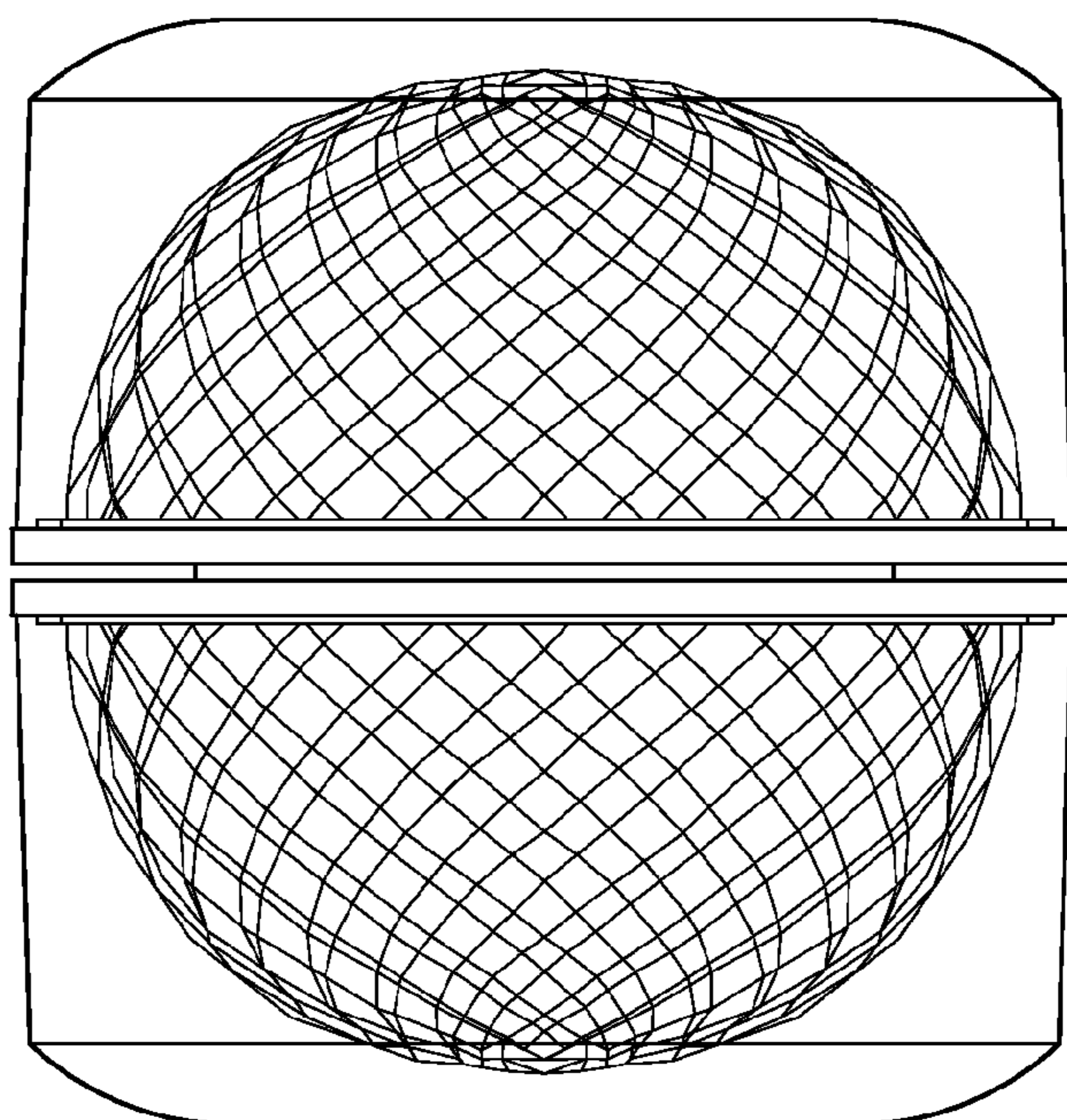


FIG. 7

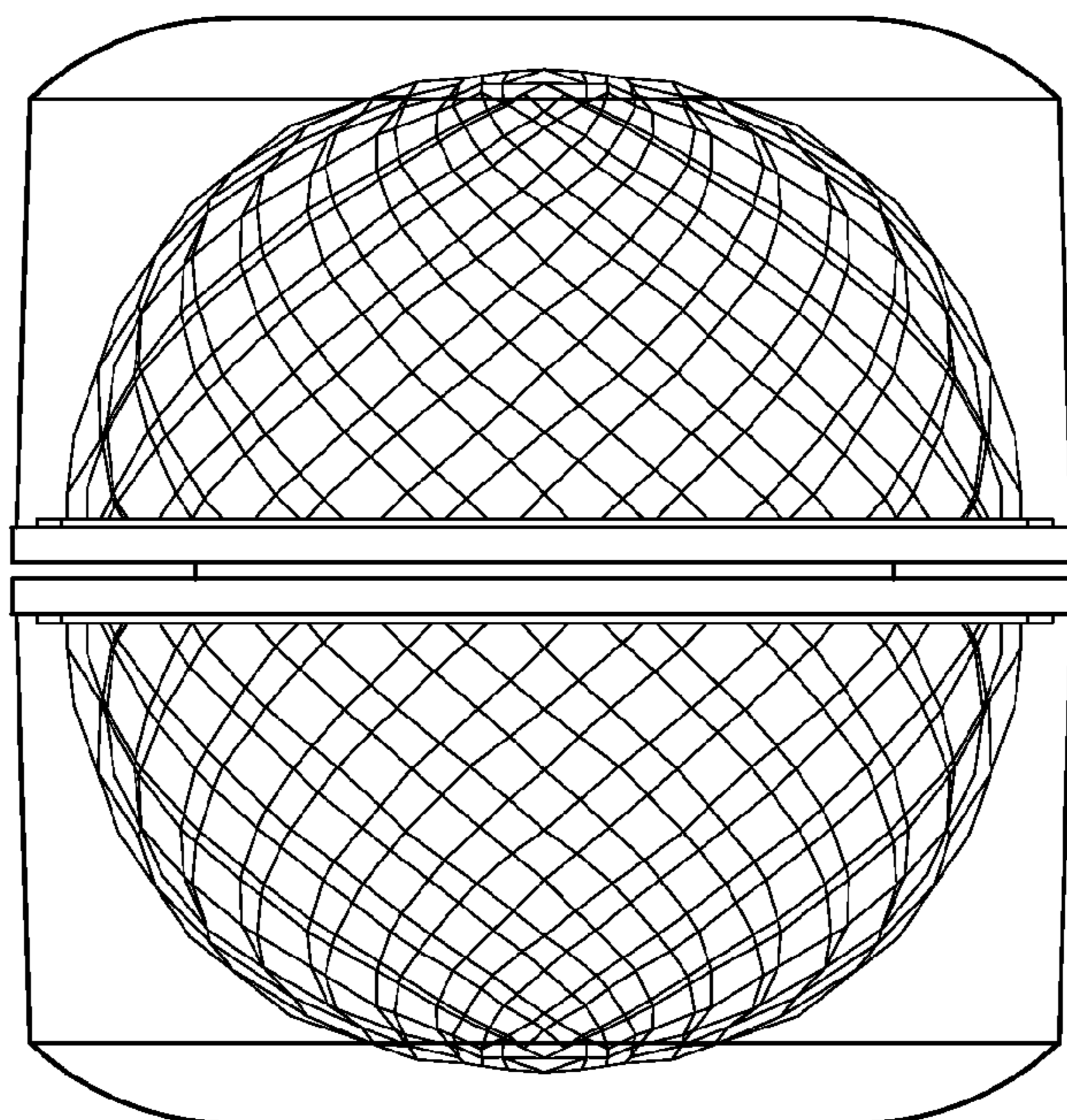


FIG. 8