



US00D630513S

(12) **United States Design Patent**
Zoppas

(10) **Patent No.:** **US D630,513 S**
(45) **Date of Patent:** **** Jan. 11, 2011**

(54) **BOTTLE**

(75) Inventor: **Enrico Zoppas**, Conegliano (IT)

(73) Assignee: **Acqua Minerale S. Benedetto - S.p.A.**,
Scorze' (IT)

(**) Term: **14 Years**

(21) Appl. No.: **29/347,005**

(22) Filed: **Aug. 24, 2009**

(30) **Foreign Application Priority Data**

Mar. 18, 2009 (EM) 001108344

(51) **LOC (9) Cl.** **09-01**

(52) **U.S. Cl.** **D9/500**

(58) **Field of Classification Search** D9/500,
D9/502-505, 516, 537-539, 549, 558; 215/379,
215/381-383; 220/660, 662, 669-673, 675
See application file for complete search history.

(56) **References Cited**

U.S. PATENT DOCUMENTS

- D391,853 S * 3/1998 Green et al. D9/500
- D412,281 S * 7/1999 Lindsay et al. D9/500
- D472,471 S * 4/2003 McClure et al. D9/539
- D473,143 S * 4/2003 McClure et al. D9/539
- D489,992 S * 5/2004 Brauner et al. D9/500
- D496,277 S * 9/2004 Bonnet D9/502

- D505,329 S * 5/2005 Wadalawala et al. D9/503
- D508,205 S * 8/2005 Wadalawala et al. D9/500
- D582,773 S * 12/2008 Klemm et al. D9/500
- D582,774 S * 12/2008 Klemm et al. D9/500

* cited by examiner

Primary Examiner—Carol Rademaker

Assistant Examiner—Dana L Sipos

(74) *Attorney, Agent, or Firm*—Modiano & Associati; Albert
Josif; Daniel J. O'Byrne

(57) **CLAIM**

I claim the ornamental design for a bottle, as shown and
described.

DESCRIPTION

FIG. 1 is a perspective view of a bottle showing my new
design;

FIG. 2 is a front view thereof;

FIG. 3 is a rear view thereof;

FIG. 4 is a left side view thereof;

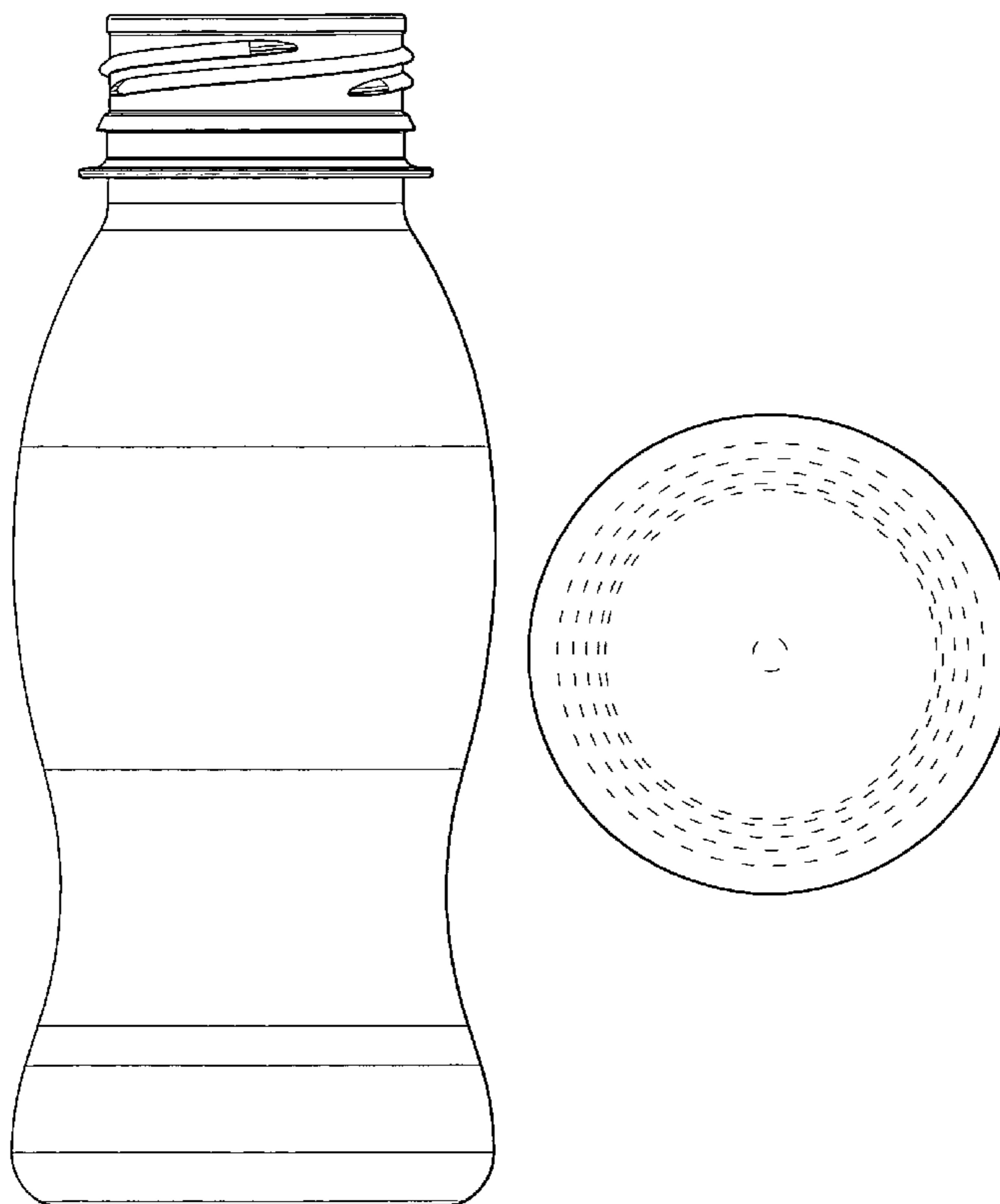
FIG. 5 is a right side view thereof;

FIG. 6 is a top view thereof; and,

FIG. 7 is a bottom view thereof.

The broken lines in FIG. 7 showing the bottom surface details
illustrates the portion of the design that forms no part of the
claim.

1 Claim, 6 Drawing Sheets



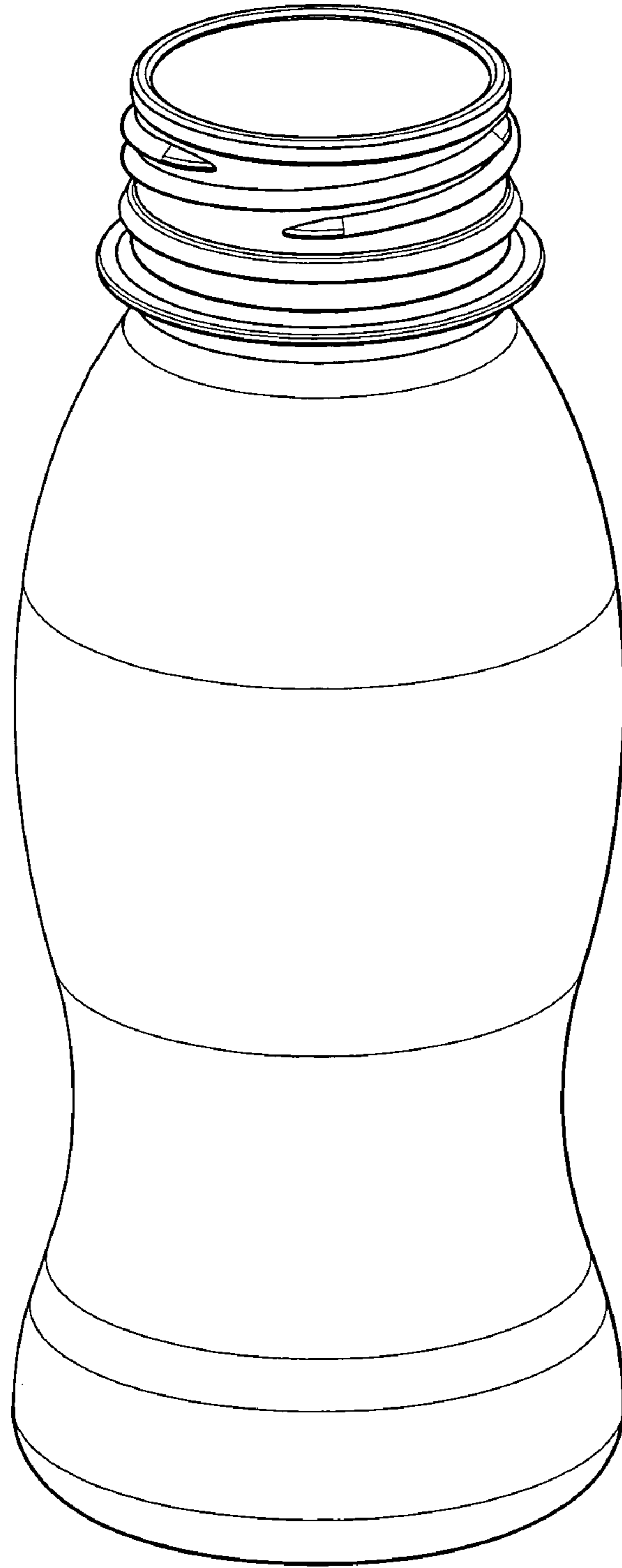


Fig. 1

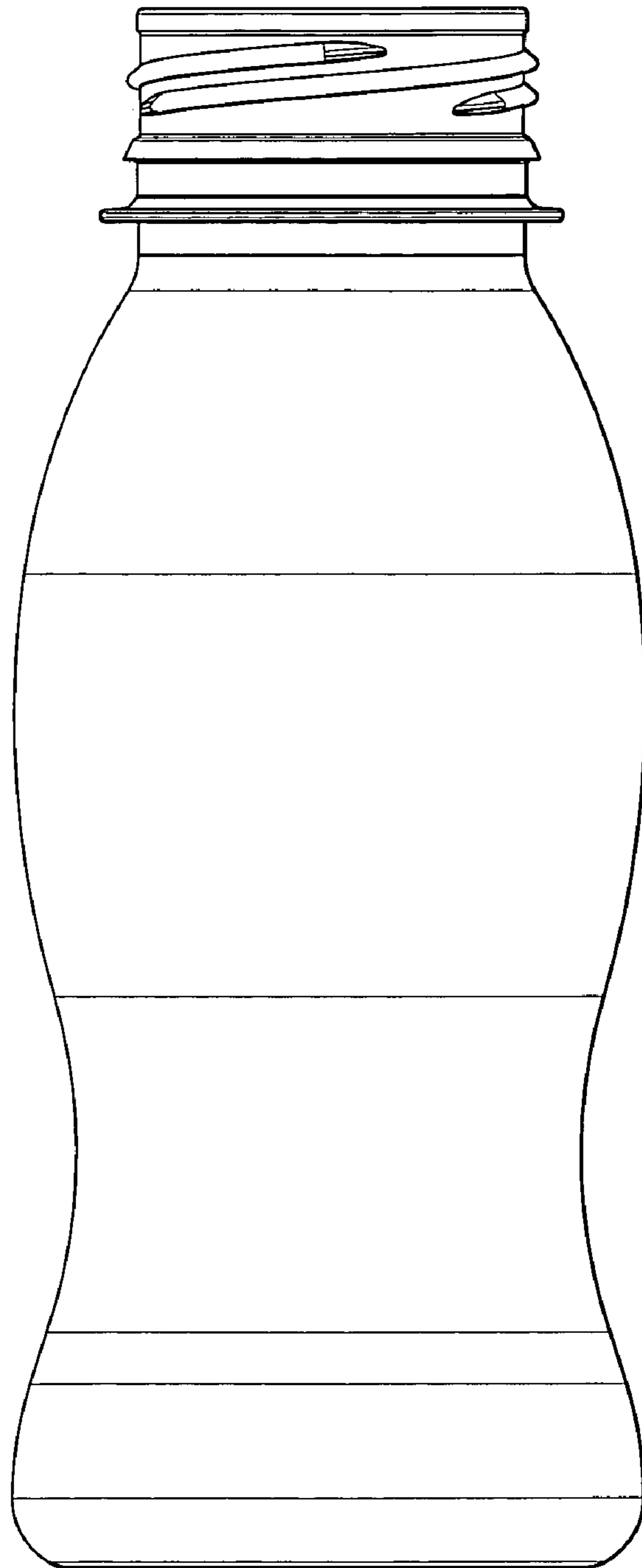


Fig. 2

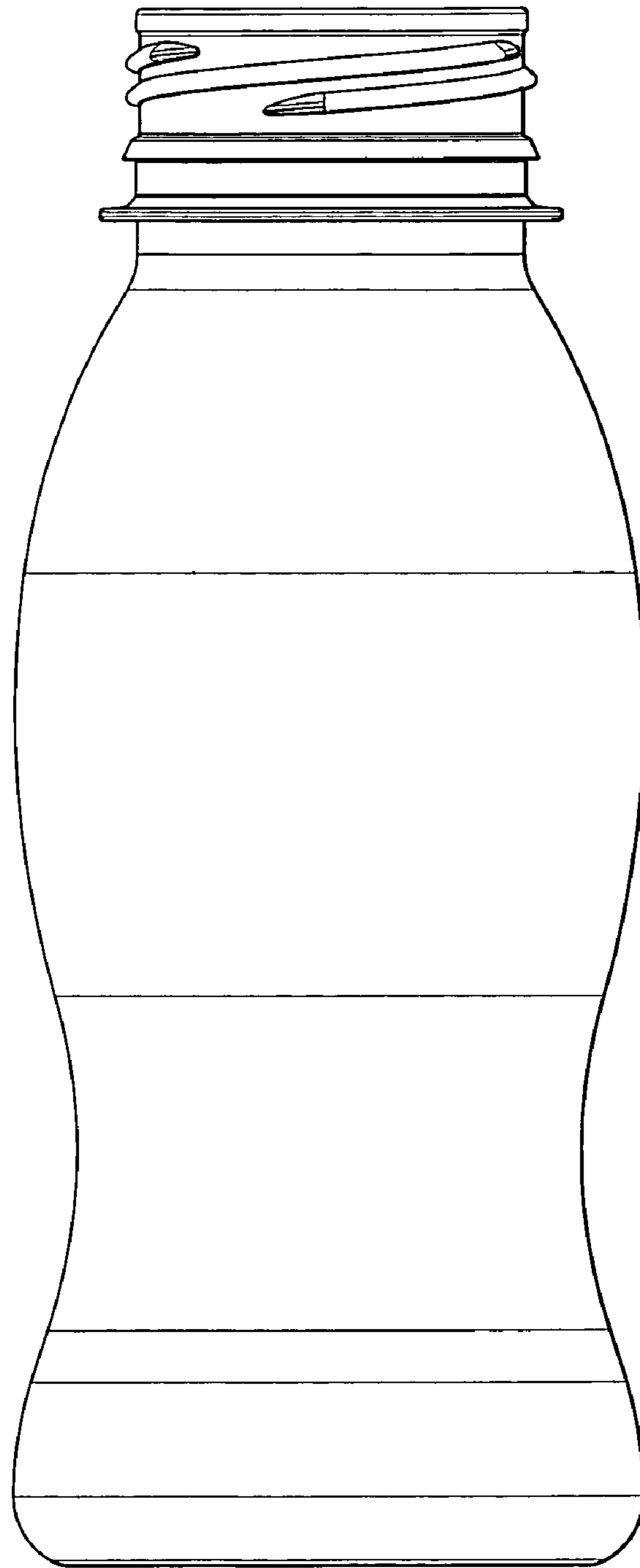


Fig. 3

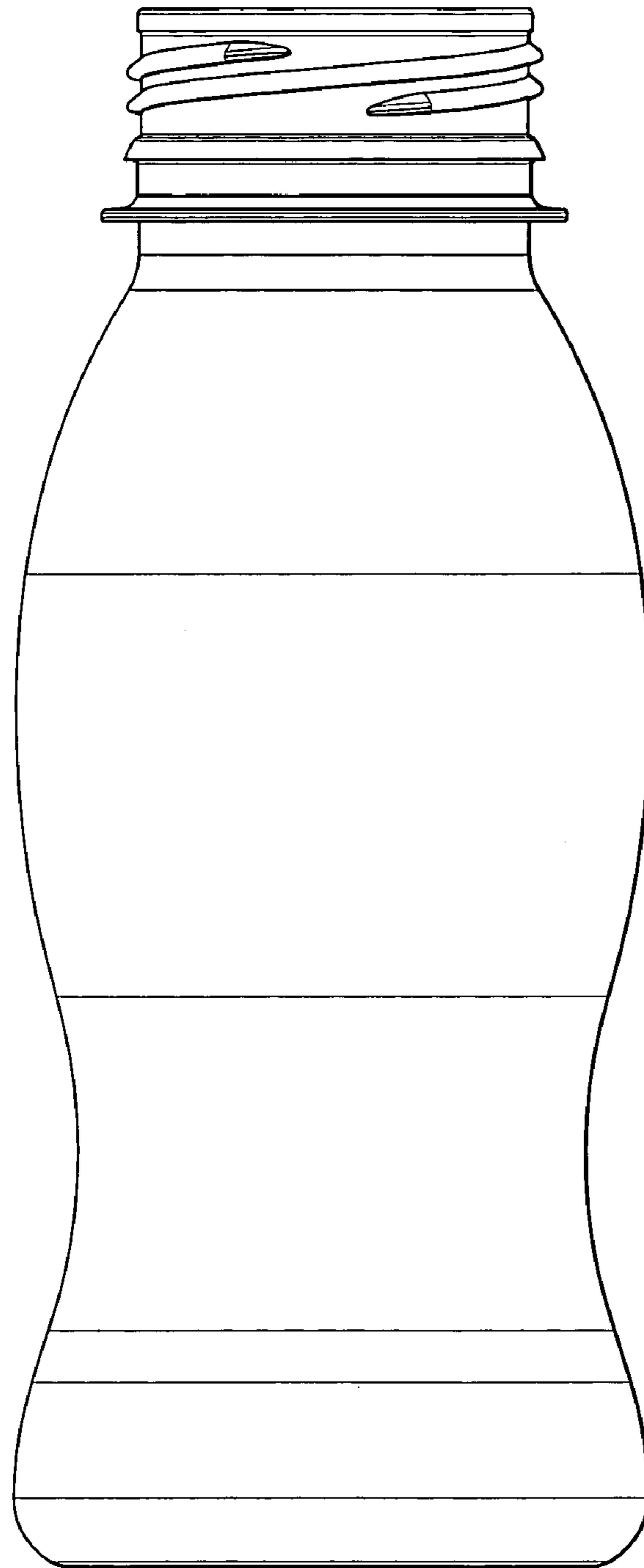


Fig. 4

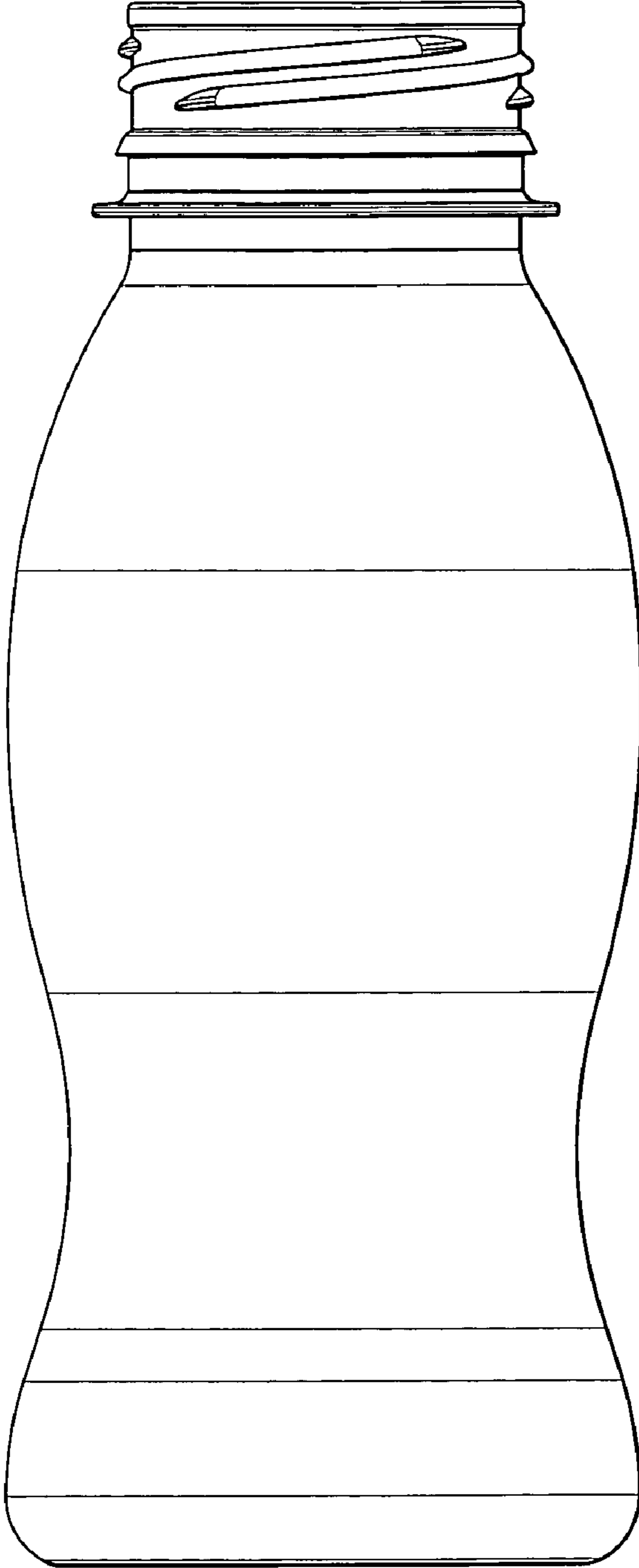


Fig. 5

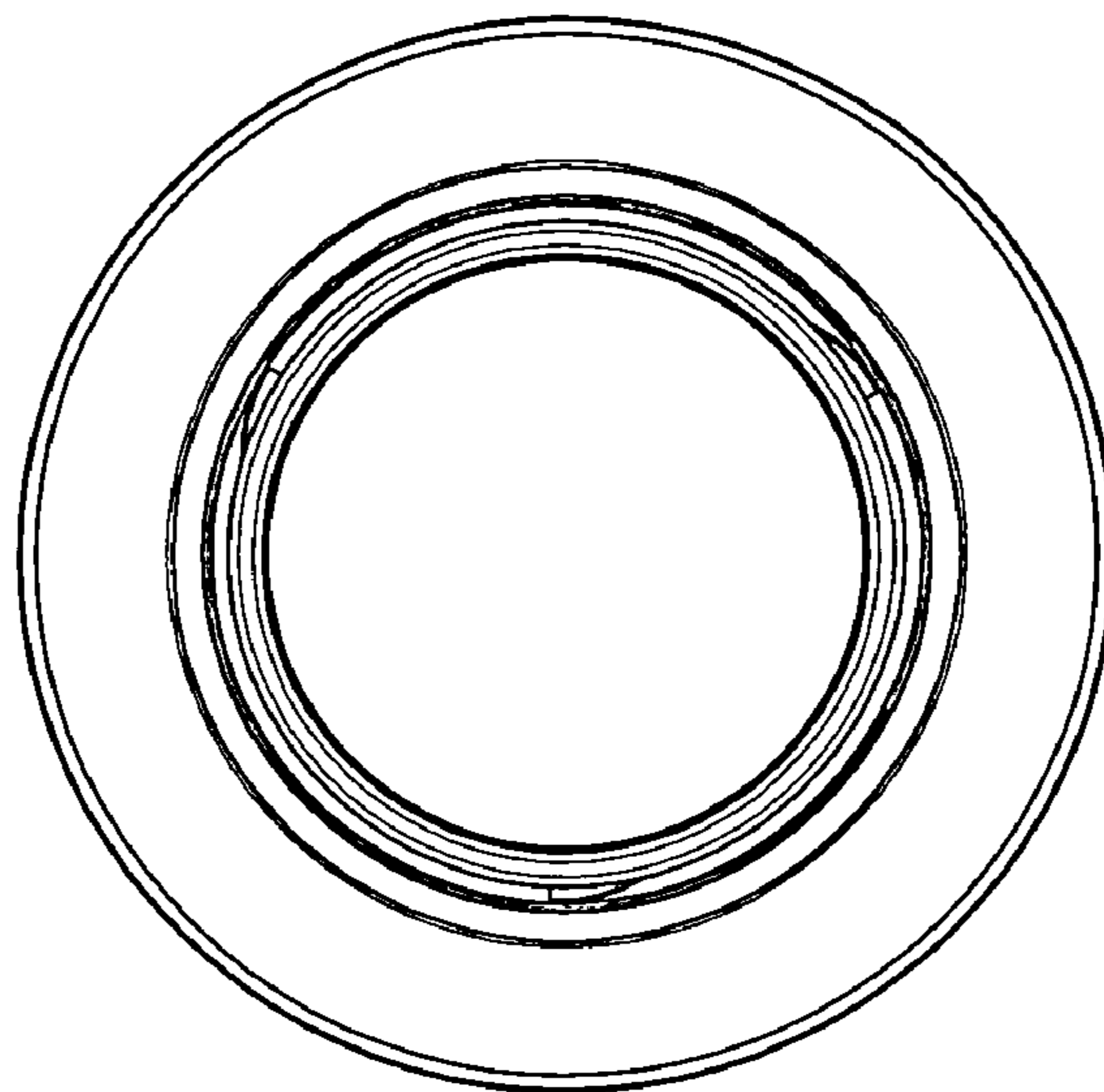


Fig. 6

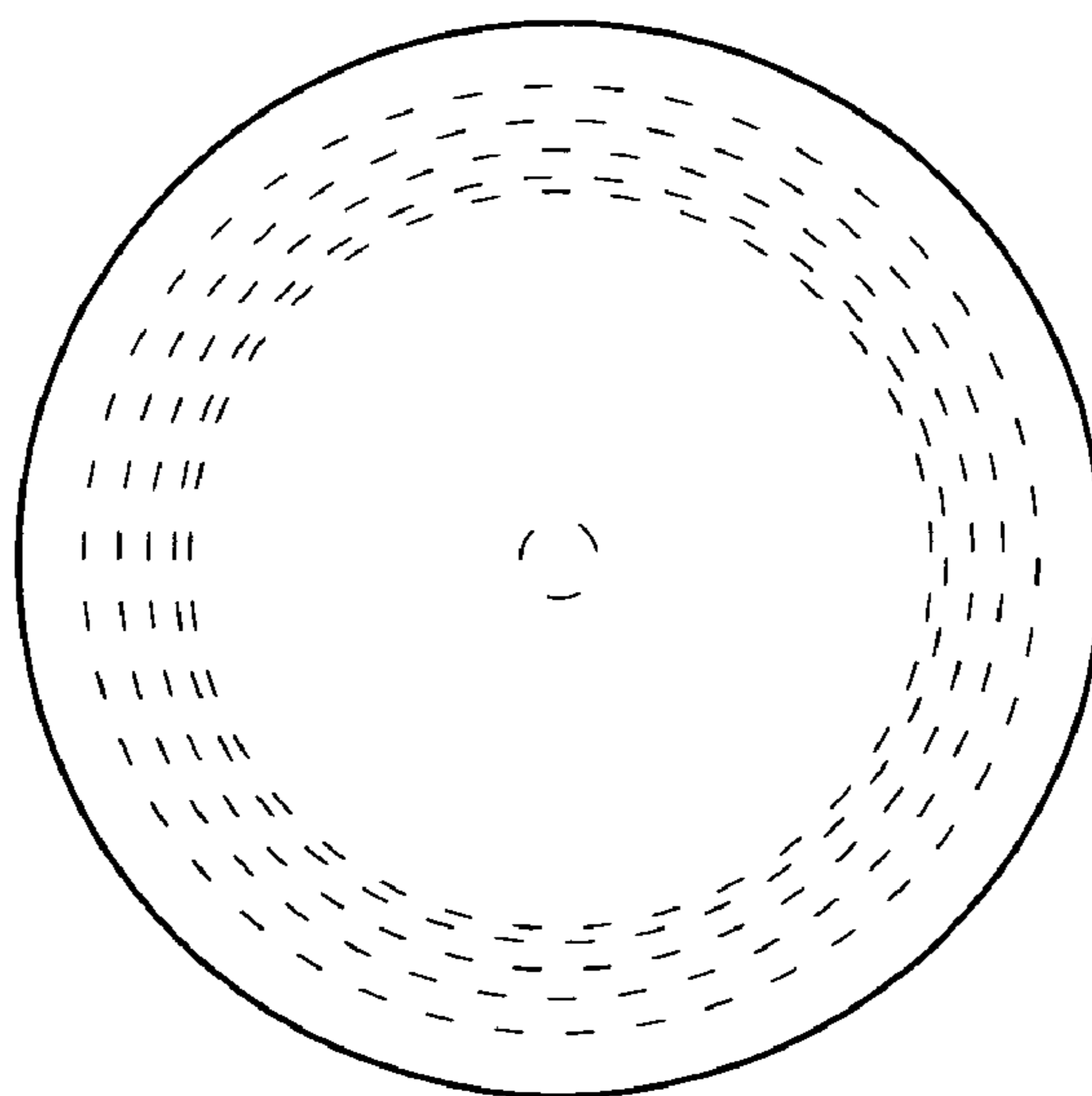


Fig. 7