



US00D630511S

(12) **United States Design Patent**
Stull, Sr. et al.

(10) **Patent No.:** **US D630,511 S**
(45) **Date of Patent:** **** Jan. 11, 2011**

(54) **CLOSURE**

(75) Inventors: **Gene Stull, Sr.**, Far Hills, NJ (US);
Robert T. Auer, East Stroudsburg, PA (US)

(73) Assignee: **Stull Technologies, Inc.**, Somerset, NJ (US)

(**) Term: **14 Years**

(21) Appl. No.: **29/349,380**

(22) Filed: **Mar. 29, 2010**

(51) **LOC (9) Cl.** **09-06**

(52) **U.S. Cl.** **D9/448; D9/447; D9/449**

(58) **Field of Classification Search** D9/529,
D9/504, 503, 454, 453, 452, 450, 449, 447,
D9/446, 443, 435; D7/900, 396.2, 392.1;
222/556, 544, 494, 480, 472, 321.9, 212,
222/185.1; 220/837, 835, 813, 810, 375,
220/254.5; 215/305, 228, 226, 200

See application file for complete search history.

(56) **References Cited**

U.S. PATENT DOCUMENTS

D369,942 S *	5/1996	Ahern, Jr.	D7/391
D385,493 S *	10/1997	Zhang	D9/449
D471,456 S *	3/2003	Young et al.	D9/447
D502,873 S *	3/2005	Capece et al.	D9/447
D513,474 S *	1/2006	Choi	D9/449
D514,446 S *	2/2006	Choi	D9/449
D540,169 S *	4/2007	Tanner	D9/503

OTHER PUBLICATIONS

Stull Technologies' Lighter Fluid Closure, Part No. 6153, 1 pg., undated but acknowledged as prior art.

* cited by examiner

Primary Examiner—Susan Bennett Hattan

(74) *Attorney, Agent, or Firm*—Drinker Biddle & Reath LLP

(57) **CLAIM**

The ornamental design for a closure, as shown and described.

DESCRIPTION

FIG. 1 is an isometric view of a closure according to my new design with its locking cap in the open position.

FIG. 2 is a front view of the closure of FIG. 1.

FIG. 3 is a rear view of the closure of FIG. 1.

FIG. 4 is a right side view of the closure of FIG. 1; the left side view is a minor image.

FIG. 5 is a top view of the closure of FIG. 1.

FIG. 6 is a bottom view of the closure of FIG. 1.

FIG. 7 is an isometric view of a closure of FIG. 1 with its locking cap in the closed position.

FIG. 8 is a front view of the closure of FIG. 7.

FIG. 9 is a rear view of the closure of FIG. 7.

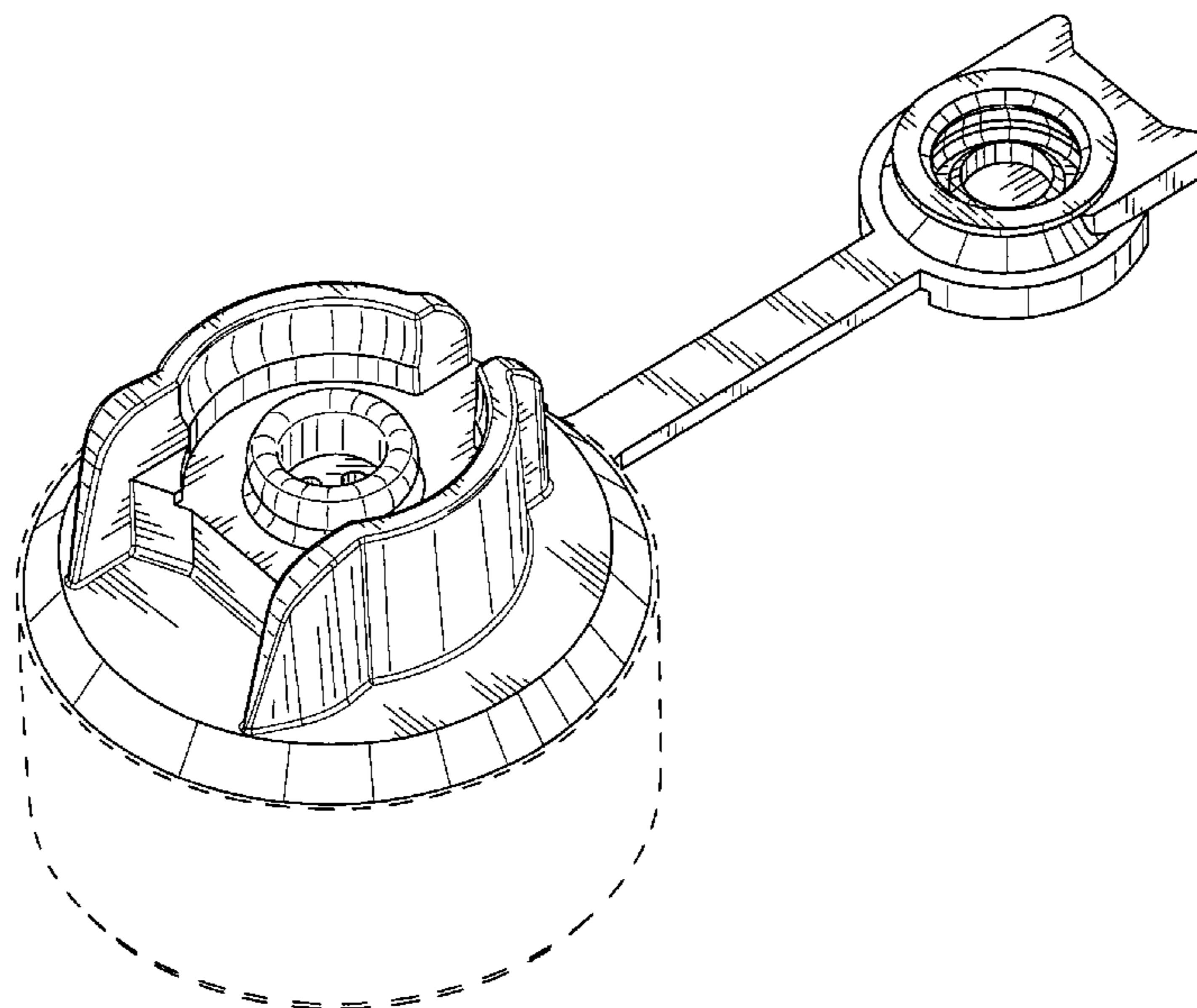
FIG. 10 is a right side view of the closure of FIG. 7; the left side view is a mirror image.

FIG. 11 is a top view of the closure of FIG. 7; and,

FIG. 12 is a bottom view of the closure of FIG. 7.

The portions of the drawings appearing in broken lines are for environment only and do not form a part of the claimed design.

1 Claim, 10 Drawing Sheets



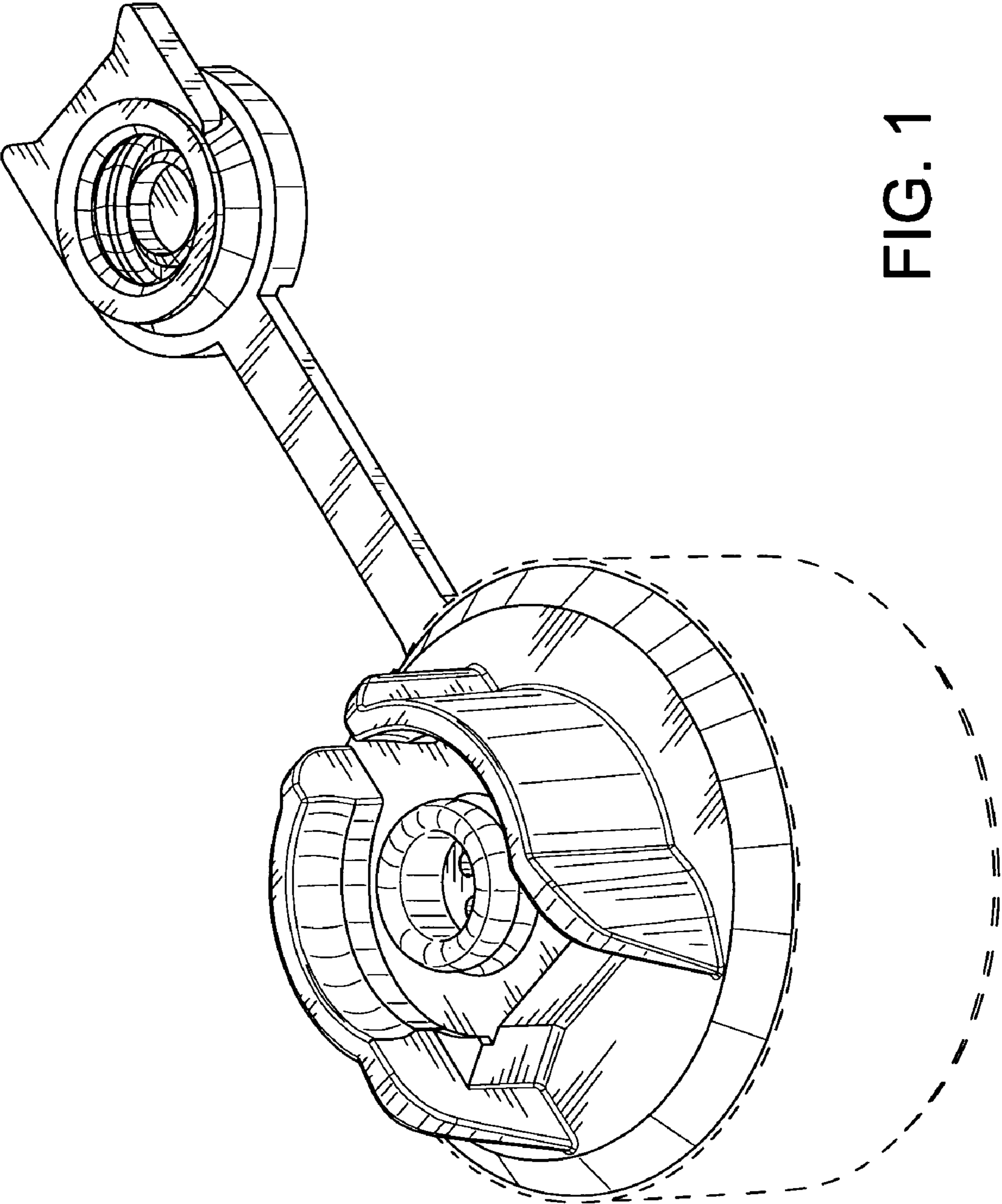


FIG. 1

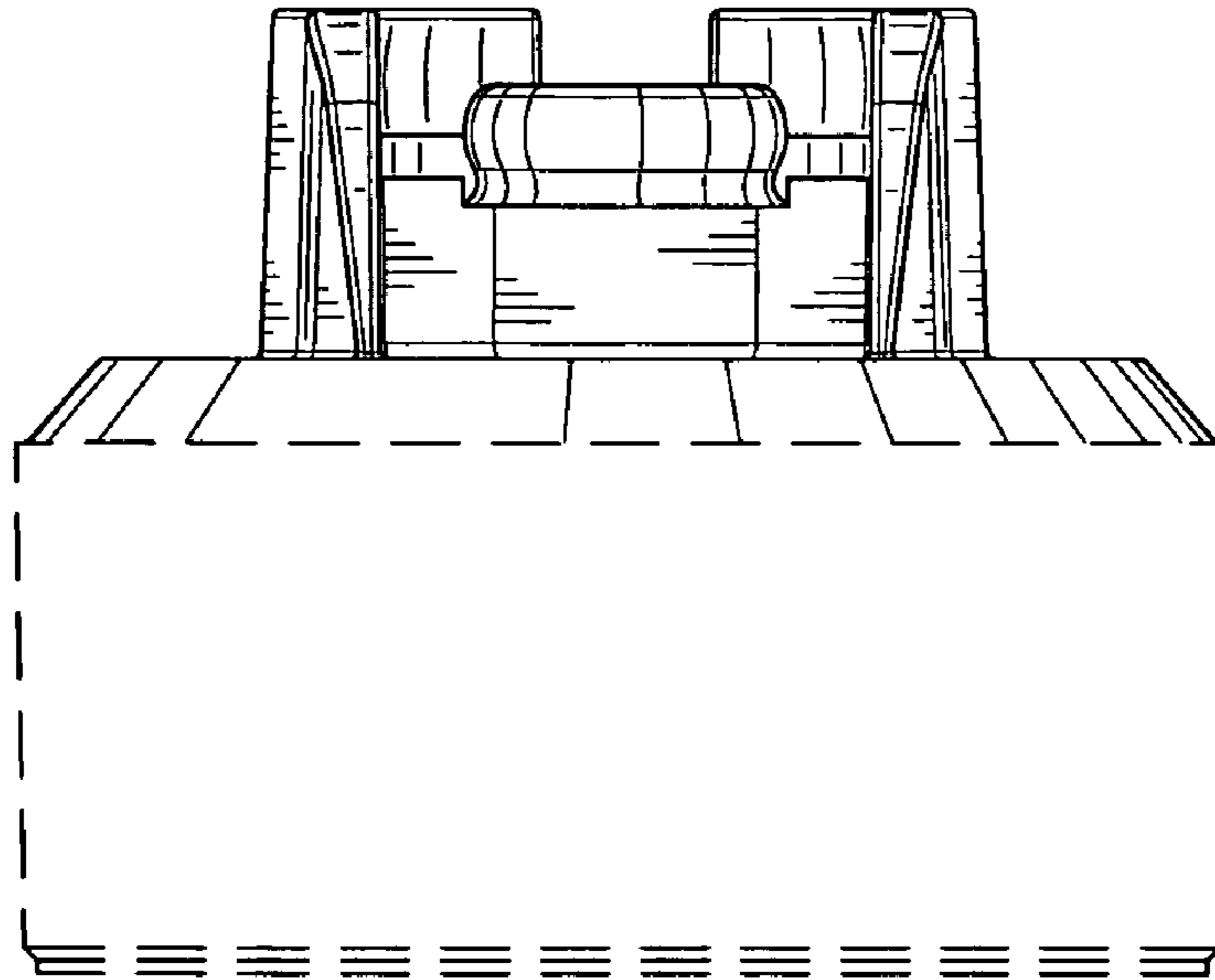


FIG. 2

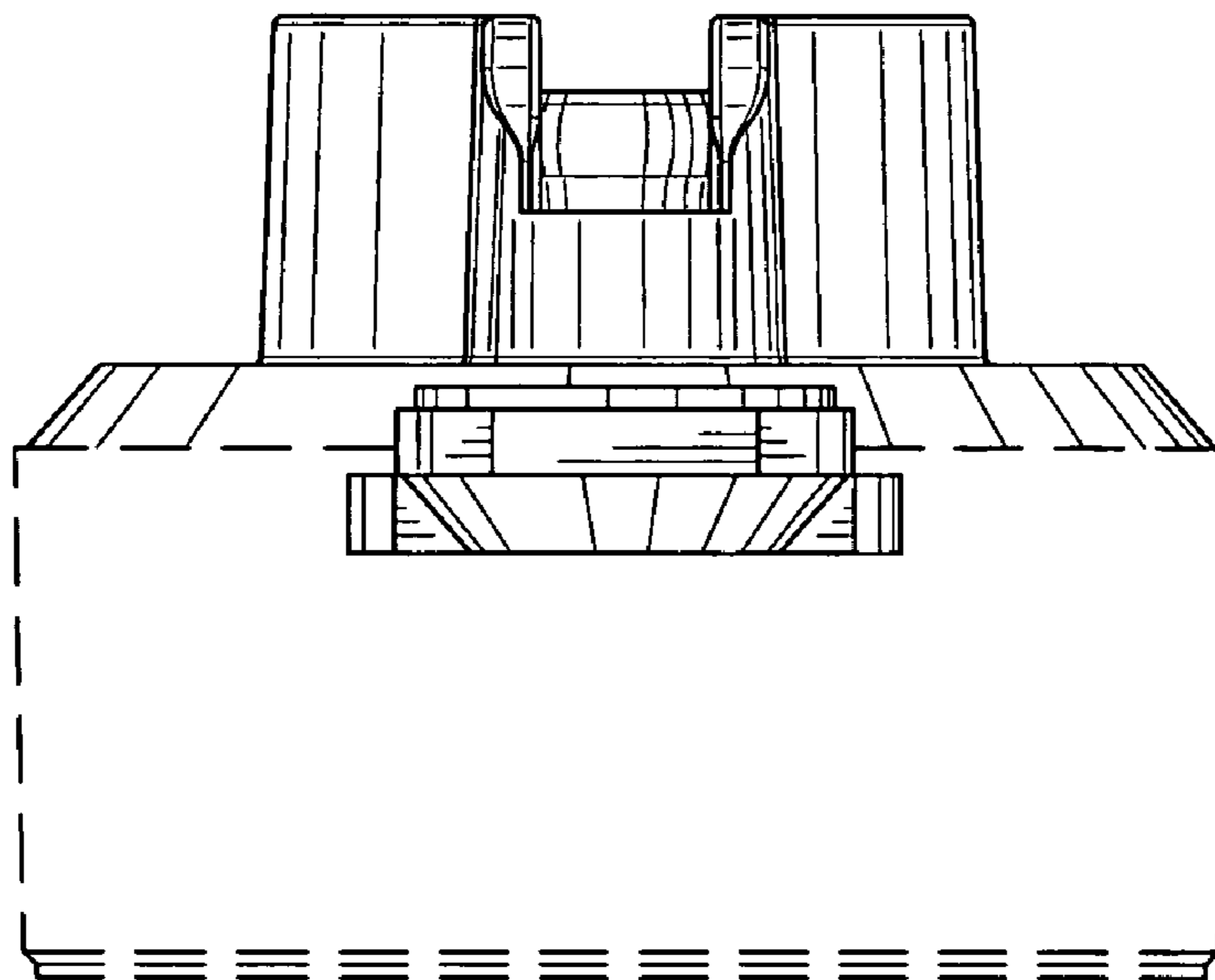


FIG. 3

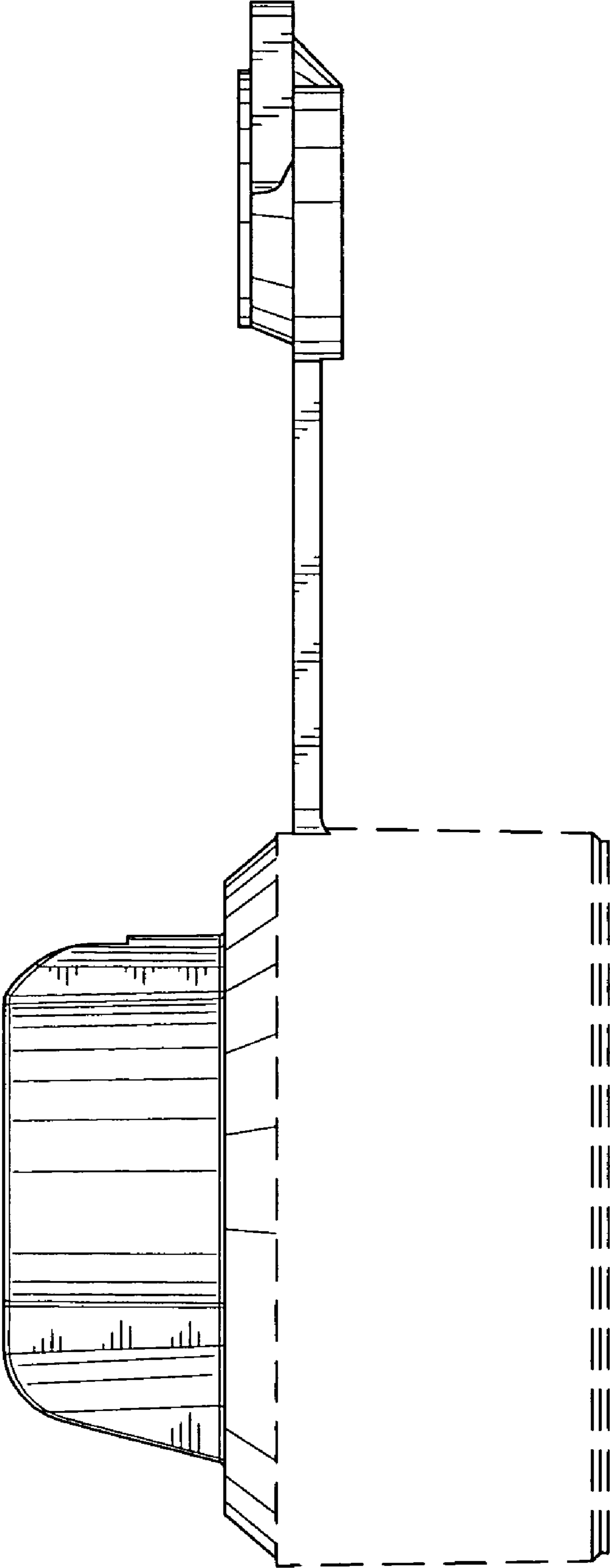


FIG. 4

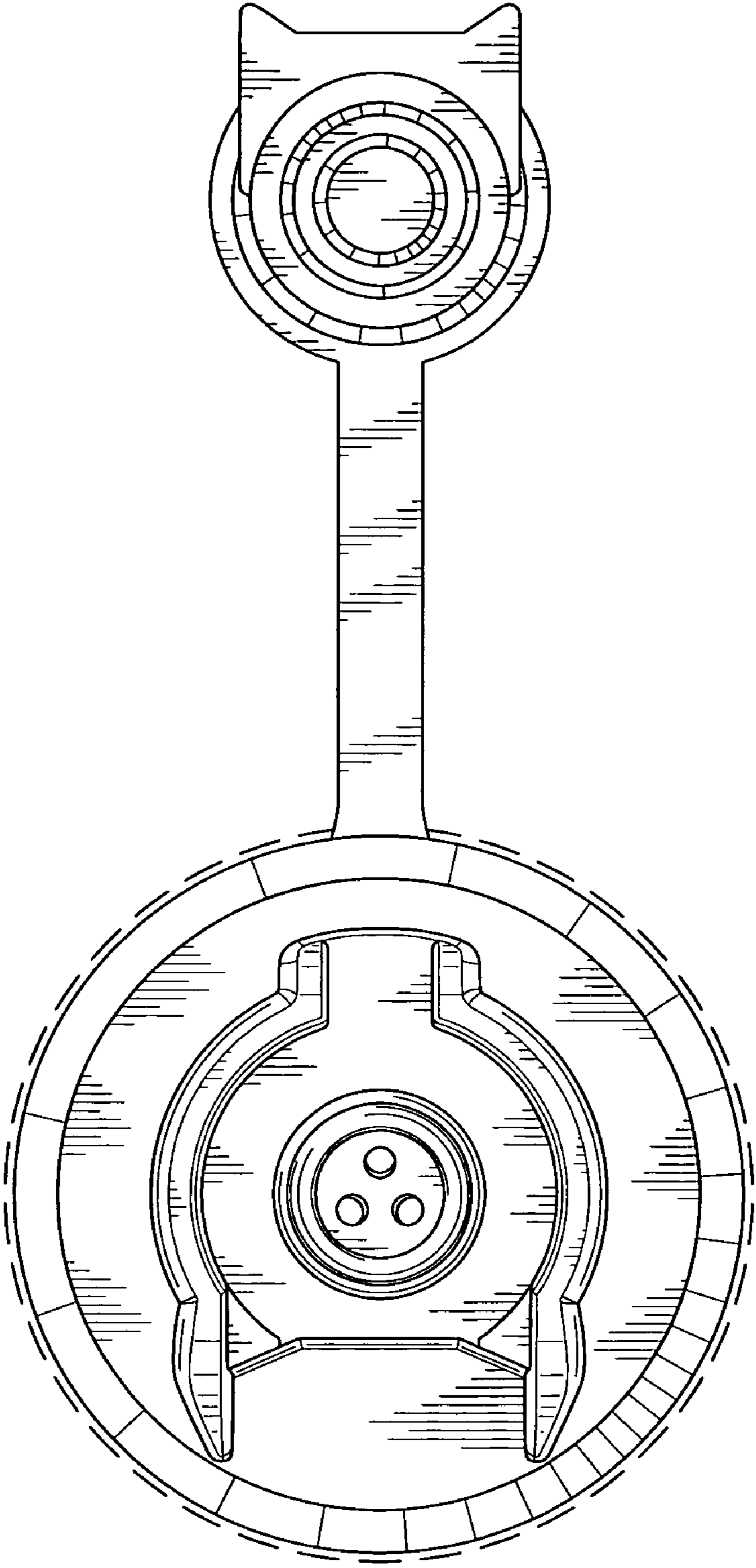


FIG. 5

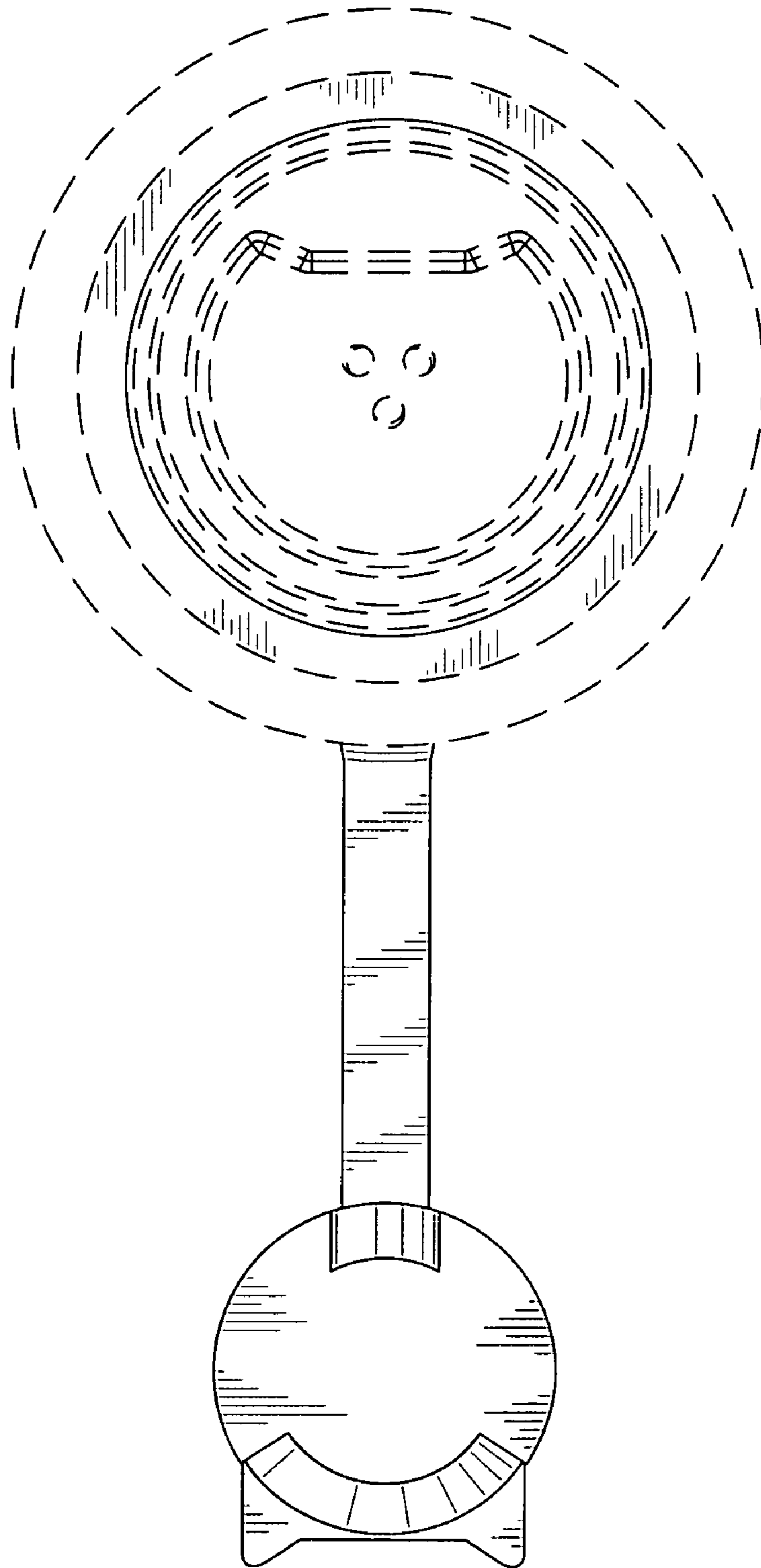


FIG. 6

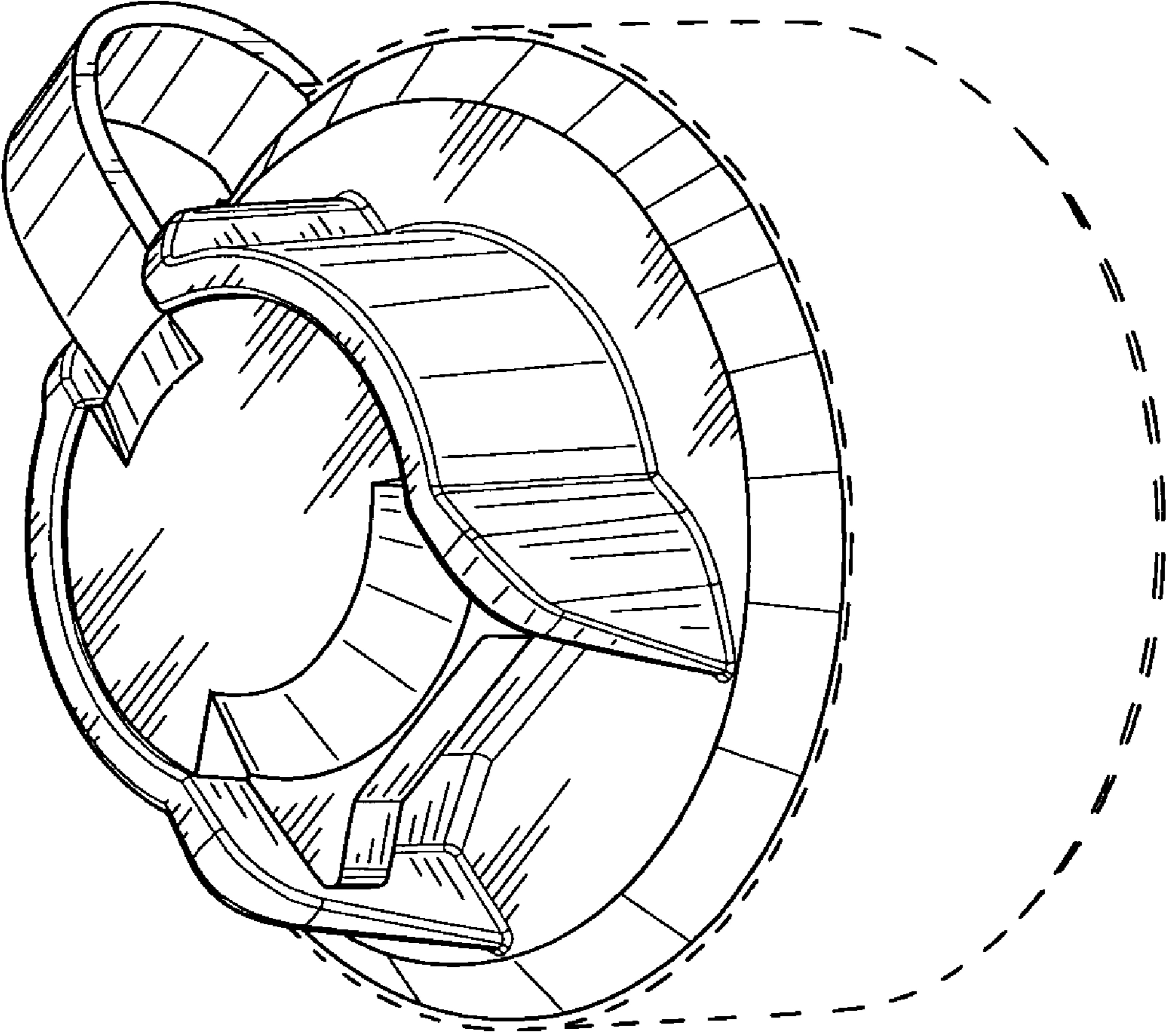


FIG. 7

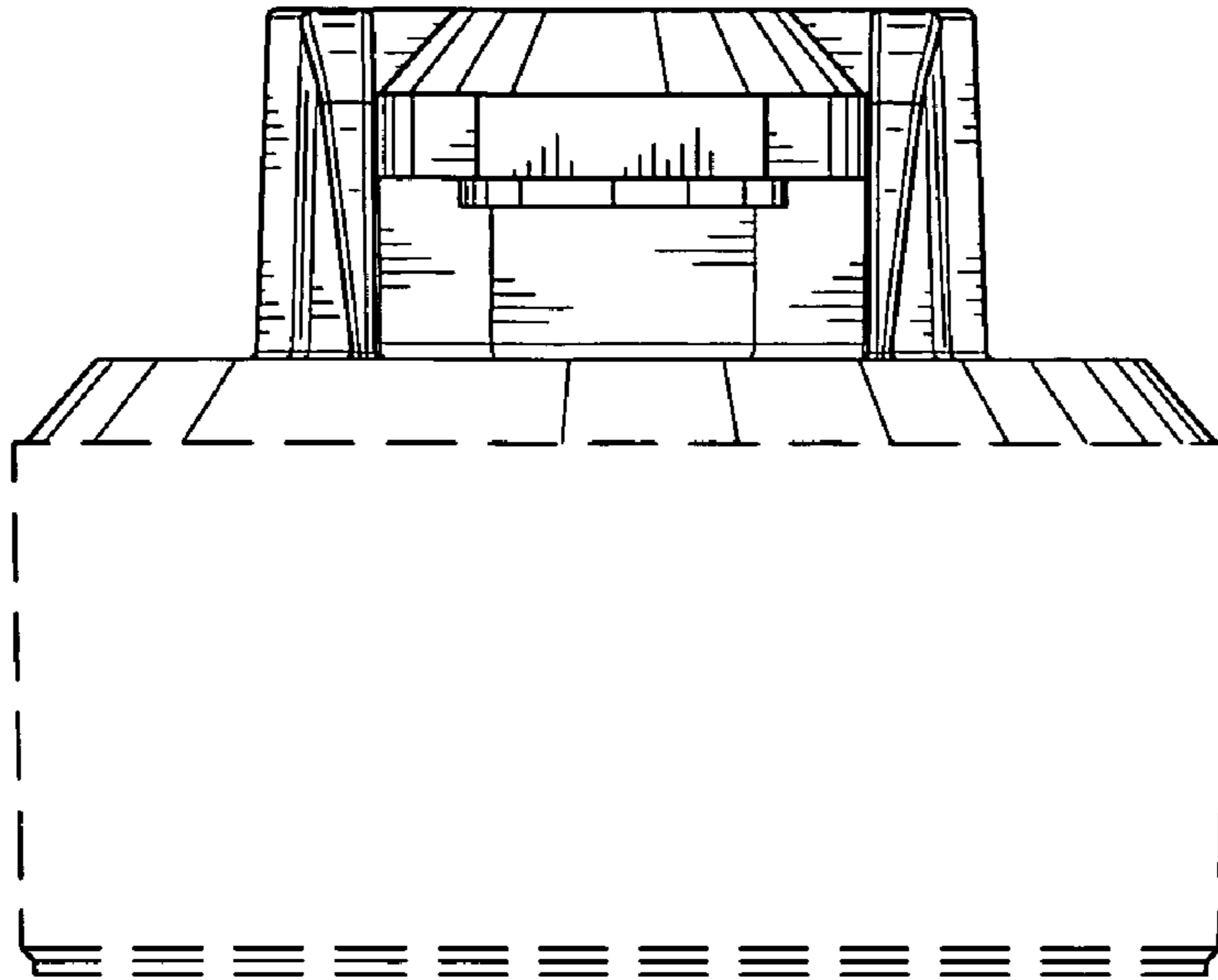


FIG. 8

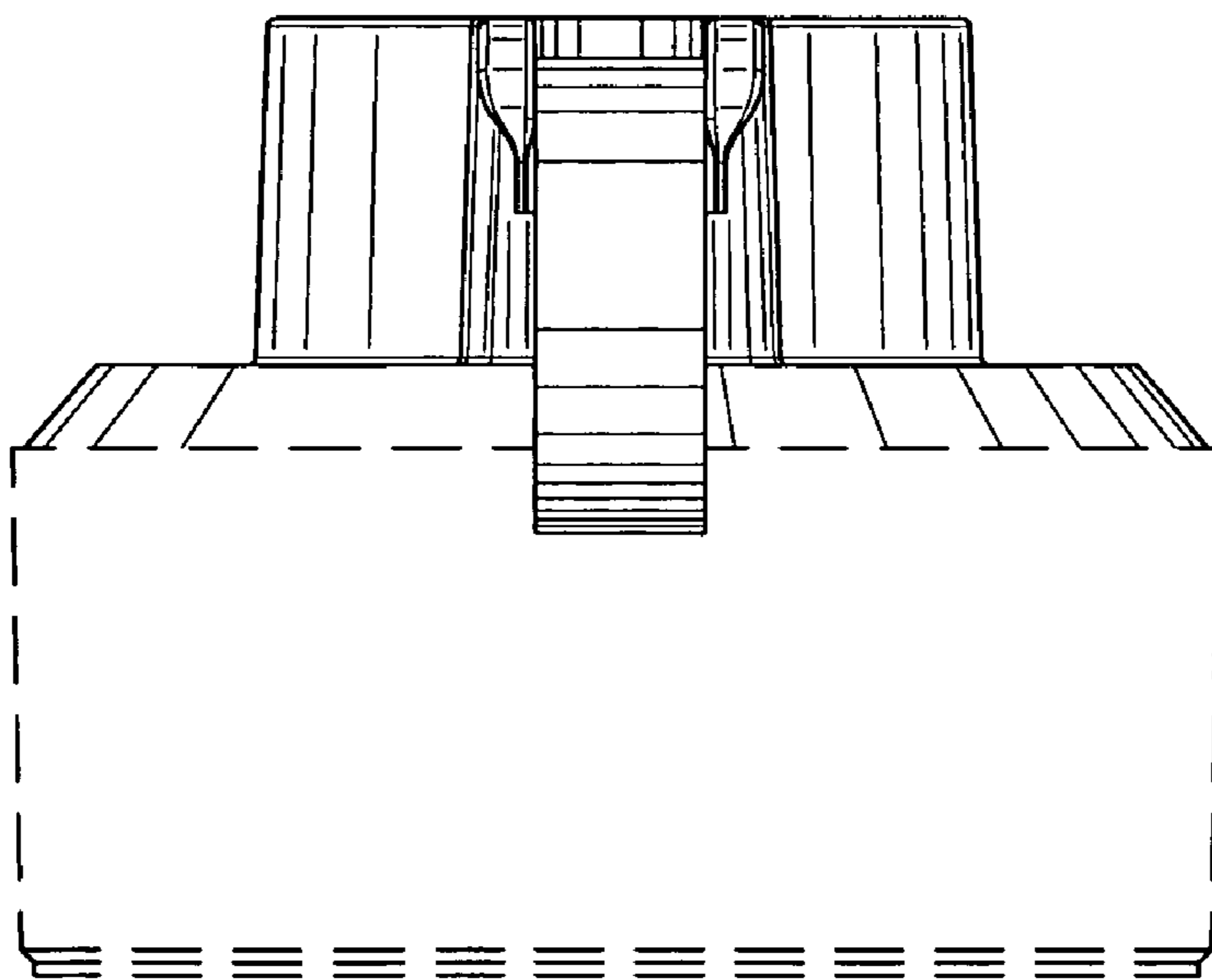


FIG. 9

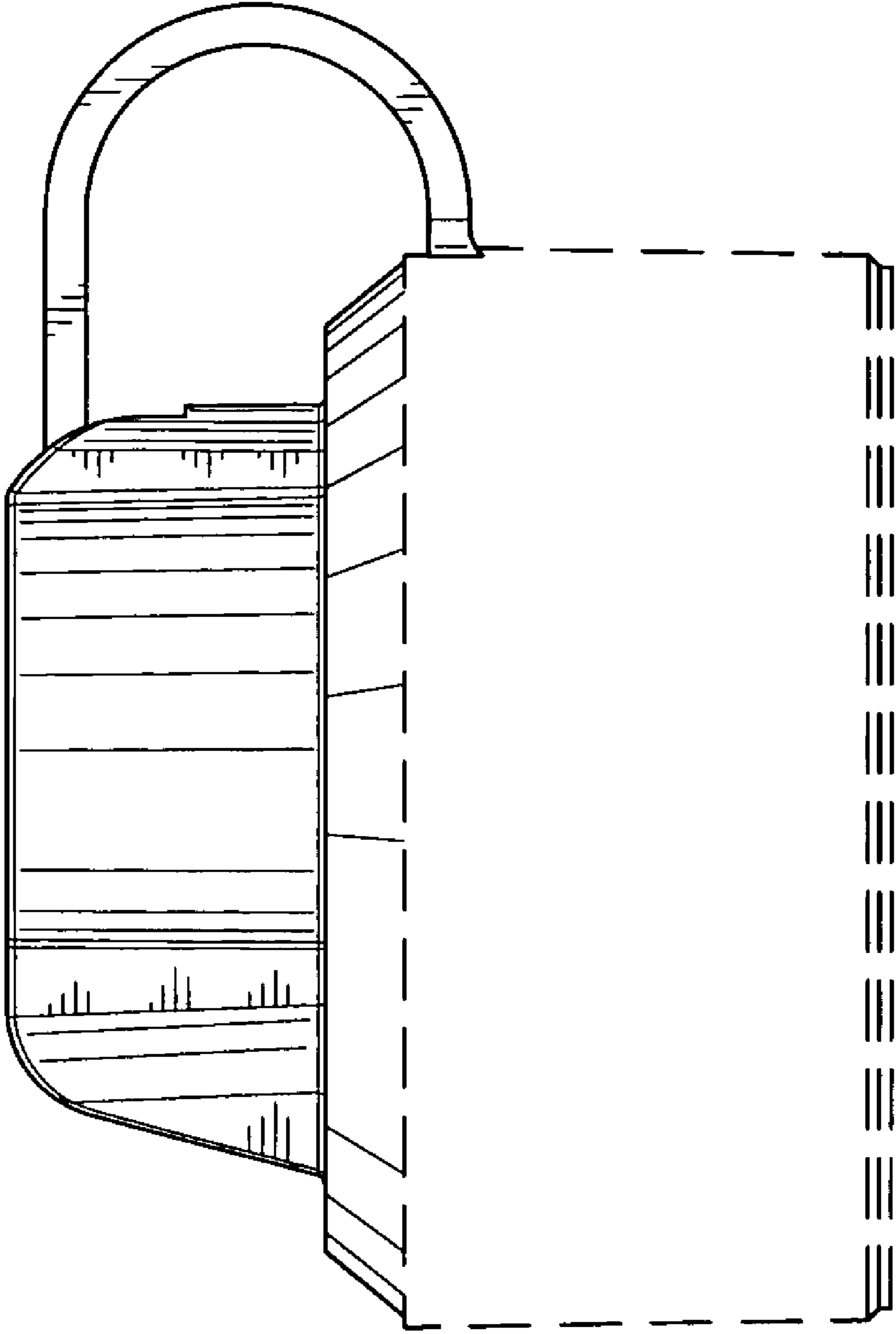


FIG. 10

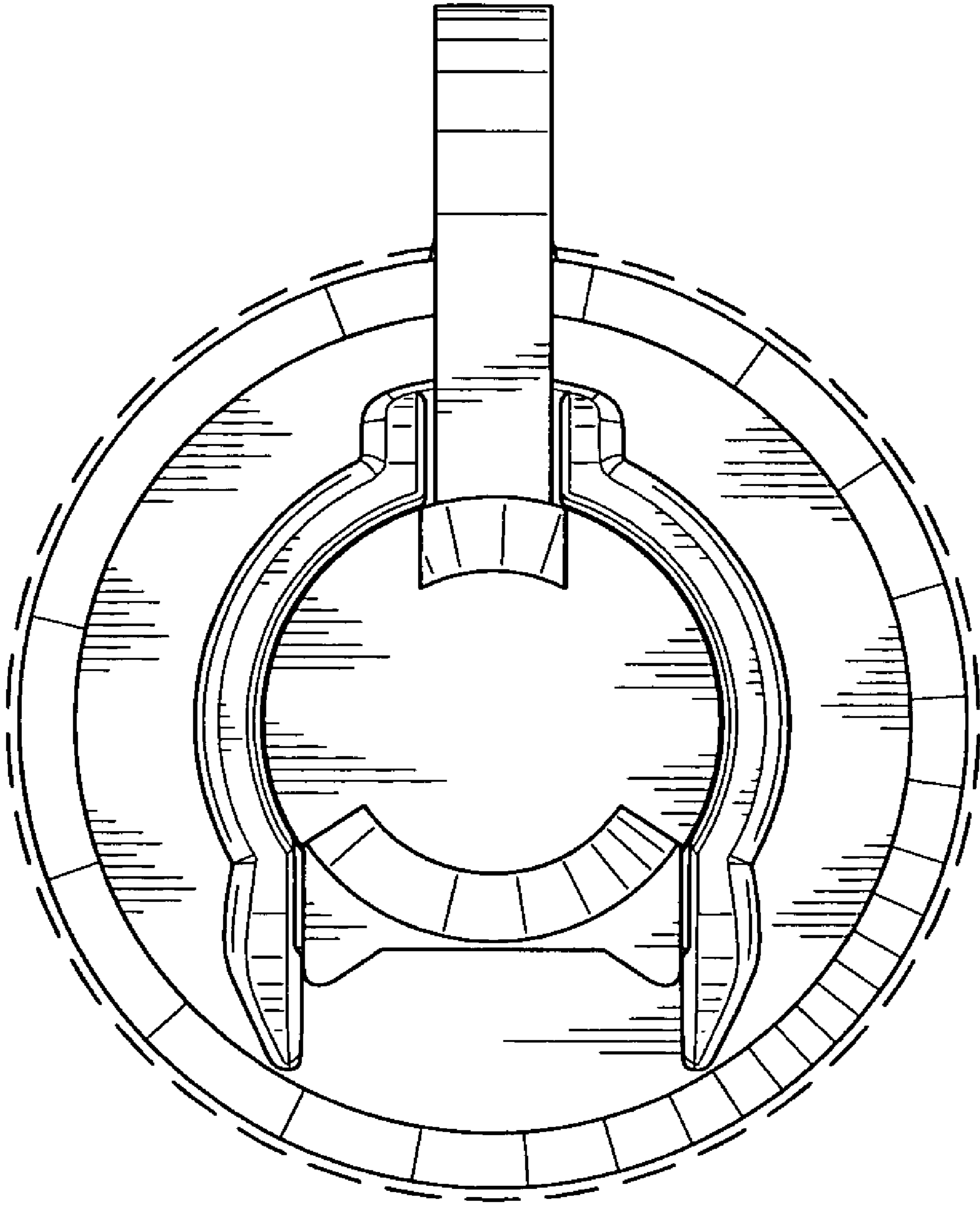


FIG. 11

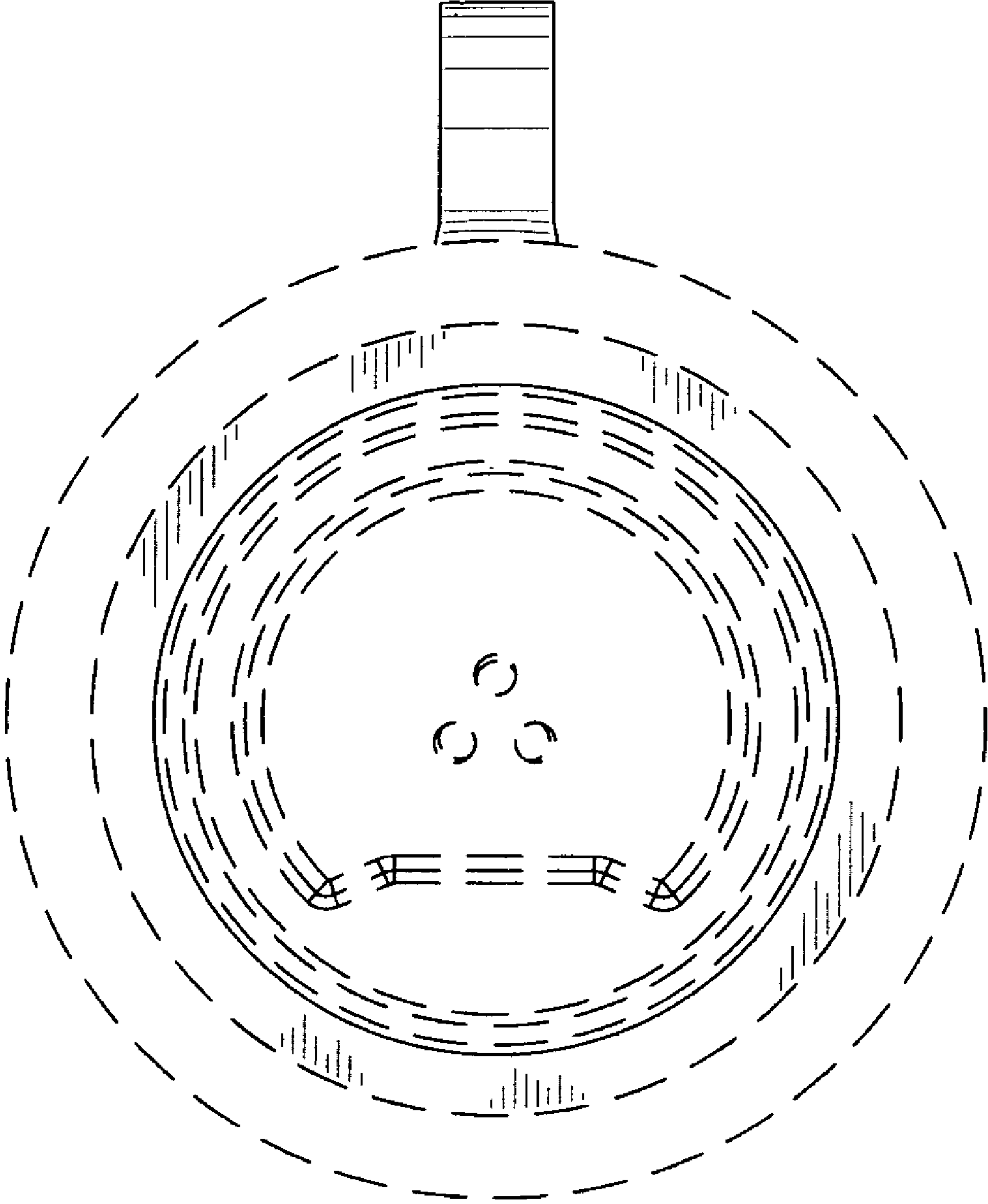


FIG. 12