



US00D630510S

(12) **United States Design Patent**  
**Yacktman**

(10) **Patent No.:** **US D630,510 S**  
(45) **Date of Patent:** **\*\* Jan. 11, 2011**

(54) **SIPPY CUP LID FOR A BEVERAGE CAN**

(76) Inventor: **Ellyn Audrey Yacktman**, 2000 Manana St., Austin, TX (US) 78730

(\*\*) Term: **14 Years**

(21) Appl. No.: **29/360,932**

(22) Filed: **May 3, 2010**

(51) **LOC (9) Cl.** ..... **09-07**

(52) **U.S. Cl.** ..... **D9/447; D9/454**

(58) **Field of Classification Search** ..... D9/780,  
D9/778, 772, 763, 756, 556, 529, 518, 504,  
D9/503, 454, 450, 449, 447, 440, 438, 435,  
D9/434, 428, 425, 424; D7/584, 392.1; 229/123.1;  
222/556; 220/906, 806, 716, 713, 711, 359.3,  
220/359.1, 285, 273, 265, 259.2–259.4, 258.2,  
220/257.1, 254.4; 215/256, 249, 232, 216;  
206/530

See application file for complete search history.

(56) **References Cited**

**U.S. PATENT DOCUMENTS**

- 4,312,459 A 1/1982 Leach
- 4,917,258 A 4/1990 Boyd et al.
- 4,961,510 A \* 10/1990 Dvoracek ..... 220/713
- D316,517 S \* 4/1991 Coy ..... D9/447
- D322,222 S \* 12/1991 Coy ..... D9/447
- 5,186,347 A \* 2/1993 Freeman et al. .... 220/254.1
- D397,906 S \* 9/1998 Briggs et al. .... D7/392.1
- D407,269 S \* 3/1999 Fletcher ..... D7/510
- 5,988,425 A \* 11/1999 Yehl et al. .... 220/303
- D429,443 S \* 8/2000 D’Alessio ..... D7/392.1
- 6,098,830 A 8/2000 Jamieson
- 6,164,484 A 12/2000 Fiore et al.
- D457,778 S \* 5/2002 Randolph et al. .... D7/392.1
- 6,502,418 B2 1/2003 Holley, Jr.
- D500,226 S \* 12/2004 Randolph et al. .... D7/392.1
- 6,976,604 B2 \* 12/2005 Connors et al. .... 220/713

- D520,809 S \* 5/2006 Randolph et al. .... D7/392.1
- D527,254 S 8/2006 Antonelli
- 7,185,784 B2 3/2007 Connors, Jr. et al.
- 7,222,746 B2 5/2007 Eckstrum
- D558,825 S 1/2008 Masters
- D559,622 S 1/2008 Carreno
- D561,522 S \* 2/2008 Gordon ..... D7/392
- D564,356 S 3/2008 Nickleberry
- 7,387,202 B2 6/2008 Beaty
- D573,462 S \* 7/2008 Karam ..... D9/447
- D579,721 S 11/2008 Qian
- D579,722 S 11/2008 Sakulsacha et al.
- 7,513,465 B2 4/2009 Prado
- 7,556,172 B2 7/2009 Lane
- 7,591,273 B2 9/2009 Holley, Jr.
- D609,046 S 2/2010 Valderrama et al.
- 2008/0035653 A1 2/2008 Meli
- 2008/0237247 A1 \* 10/2008 Mucci et al. .... 220/713
- 2008/0264960 A1 10/2008 Phillips et al.

\* cited by examiner

*Primary Examiner*—Susan Bennett Hattan  
(74) *Attorney, Agent, or Firm*—Winstead P.C.

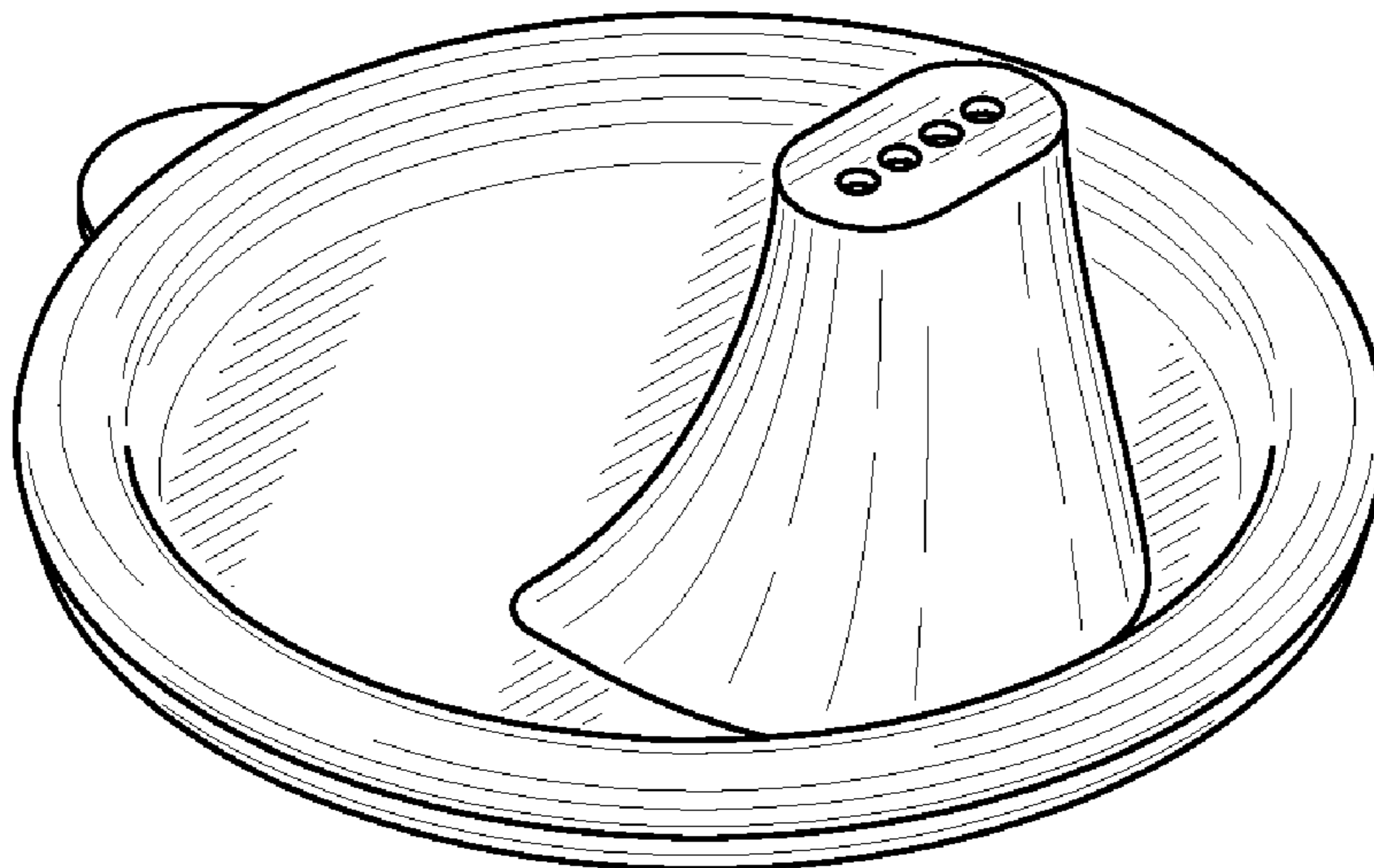
(57) **CLAIM**

The ornamental design for a sippy cup lid for a beverage can, as shown and described.

**DESCRIPTION**

FIG. 1 is an isometric view of a sippy cup lid for a beverage can;  
FIG. 2 is a left side elevational view thereof;  
FIG. 3 is a right side elevational view thereof;  
FIG. 4 is a top plan view of the sippy cup lid;  
FIG. 5 is a bottom plan view thereof;  
FIG. 6 is a front view of the sippy cup lid; and,  
FIG. 7 is a rear view of the sippy cup lid.

**1 Claim, 3 Drawing Sheets**



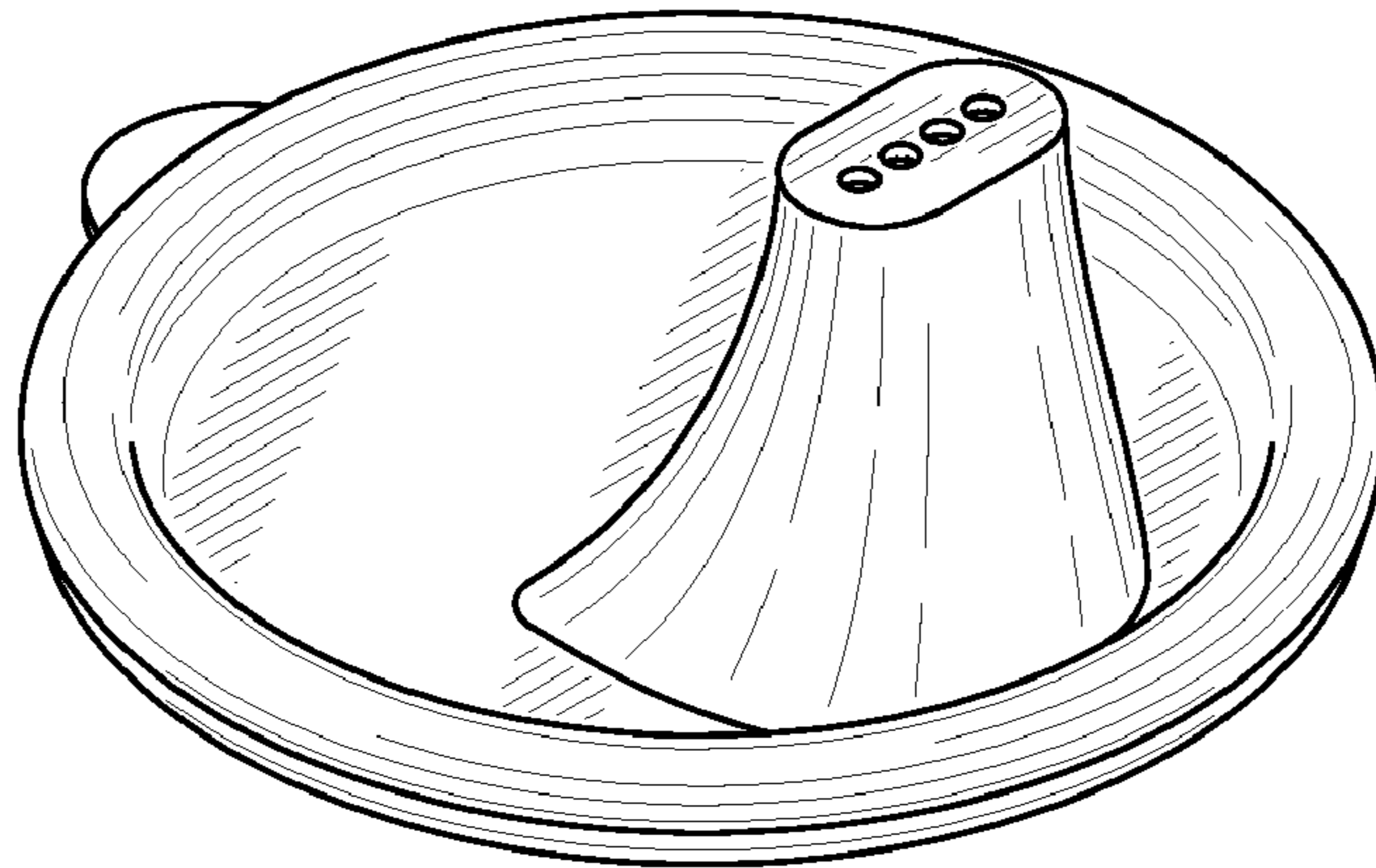


FIG. 1

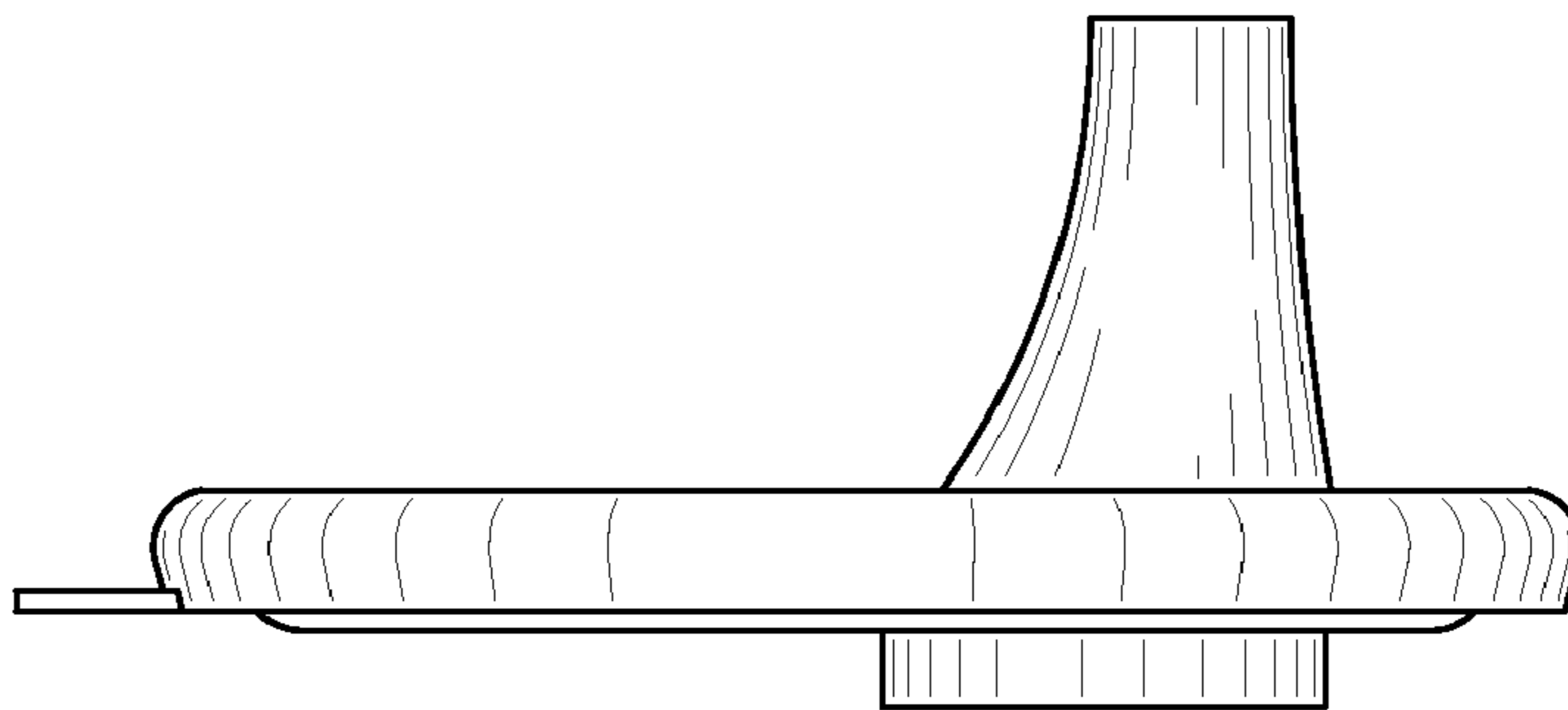


FIG. 2

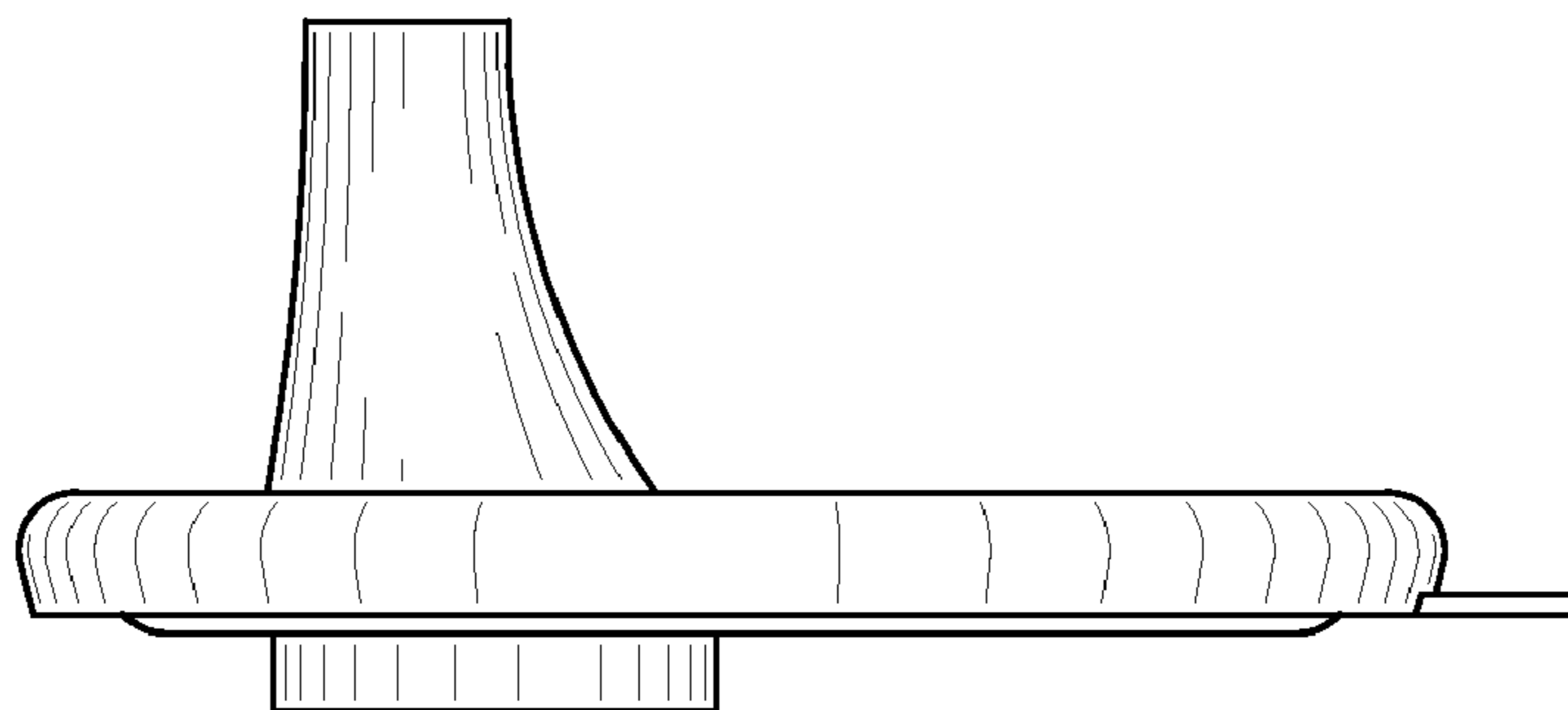


FIG. 3

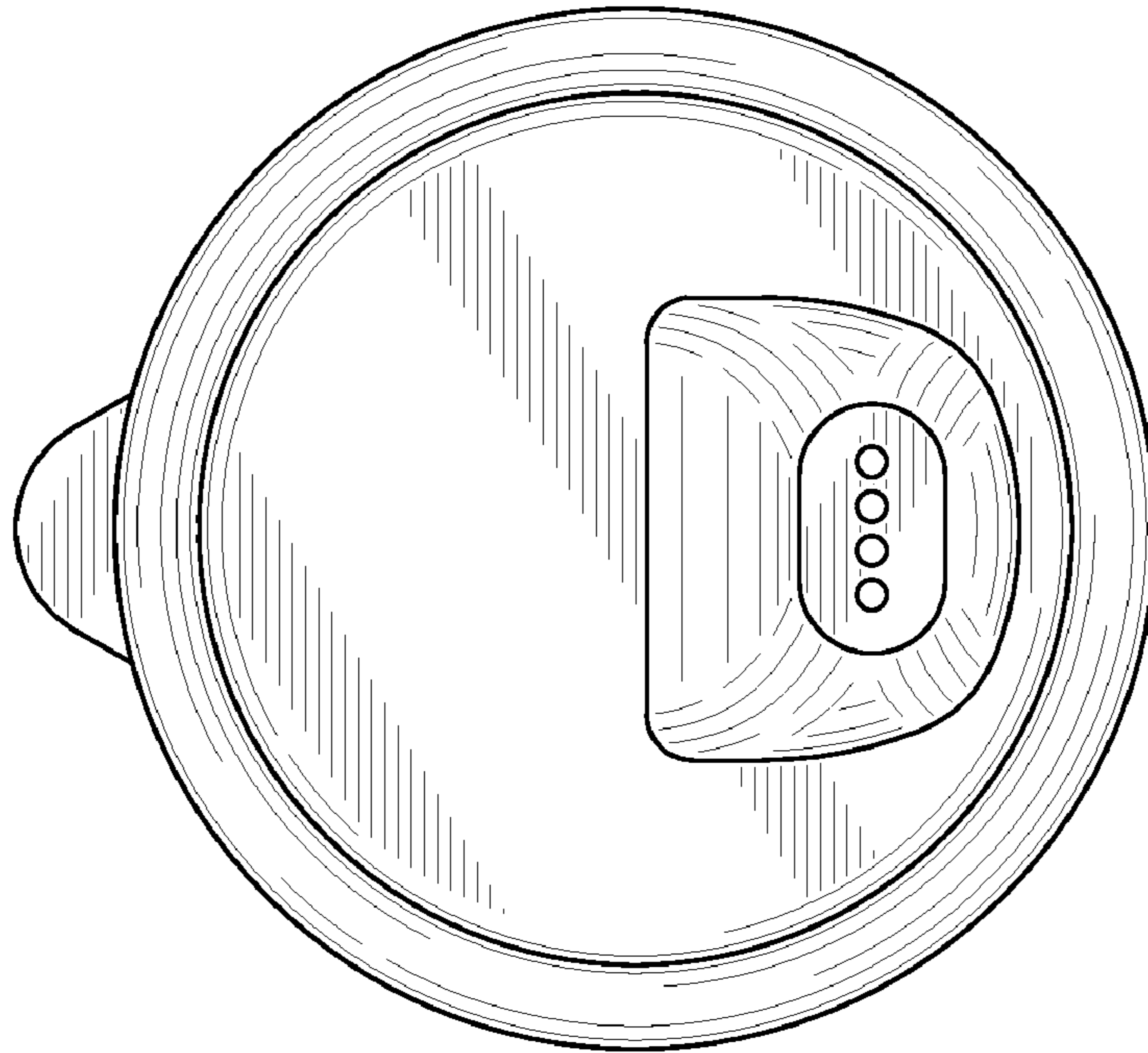


FIG. 4

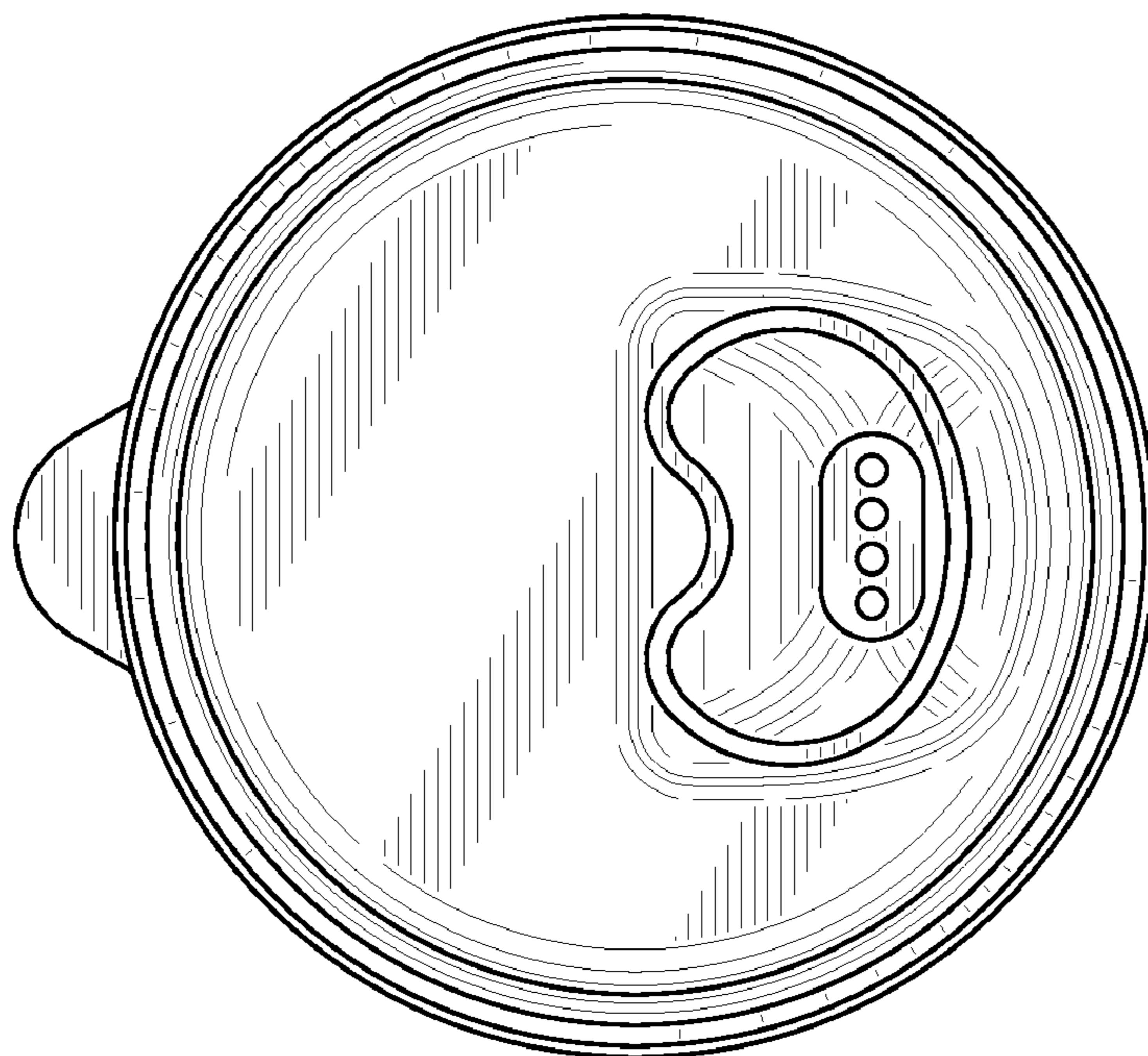


FIG. 5

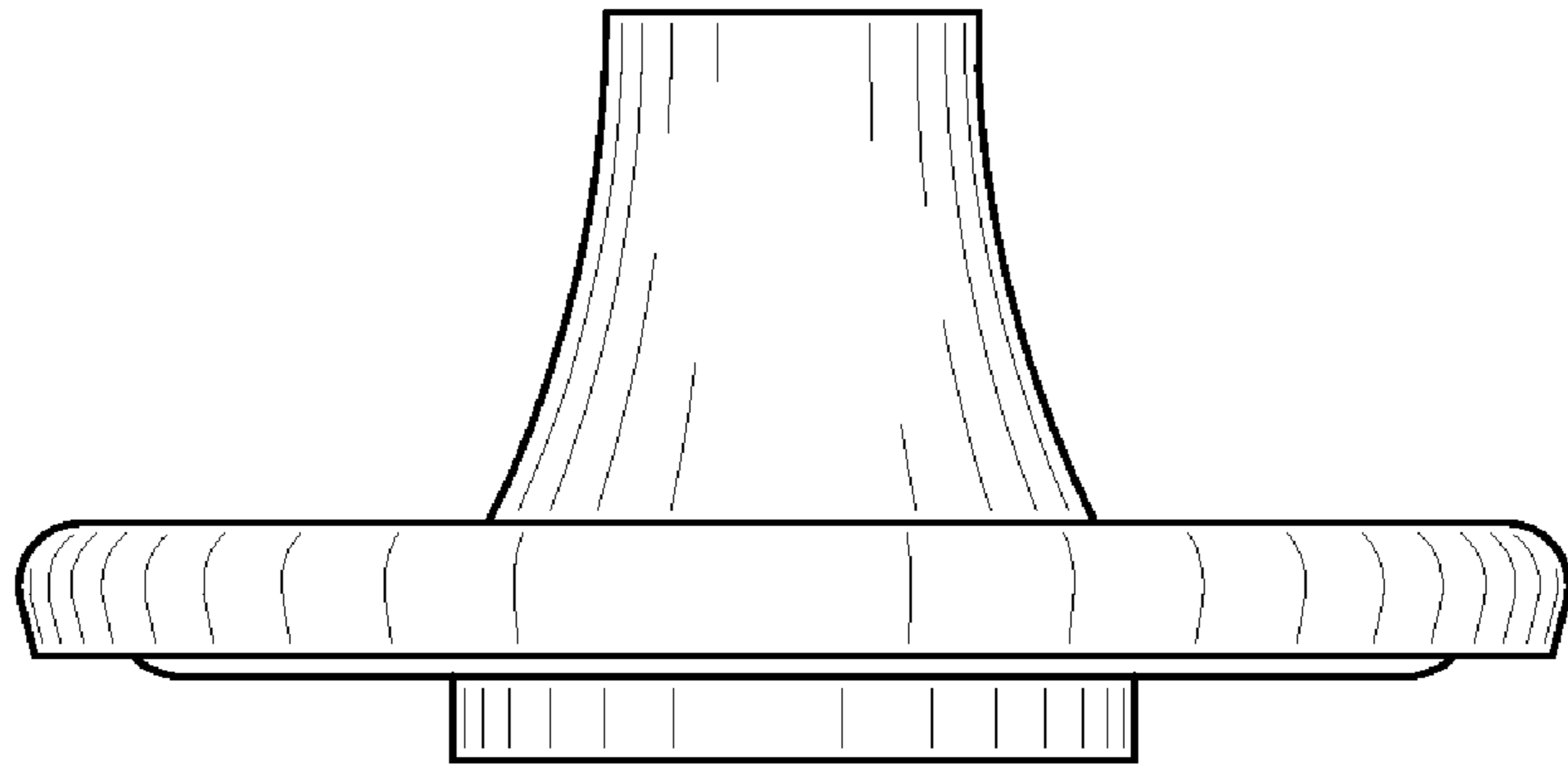


FIG. 6

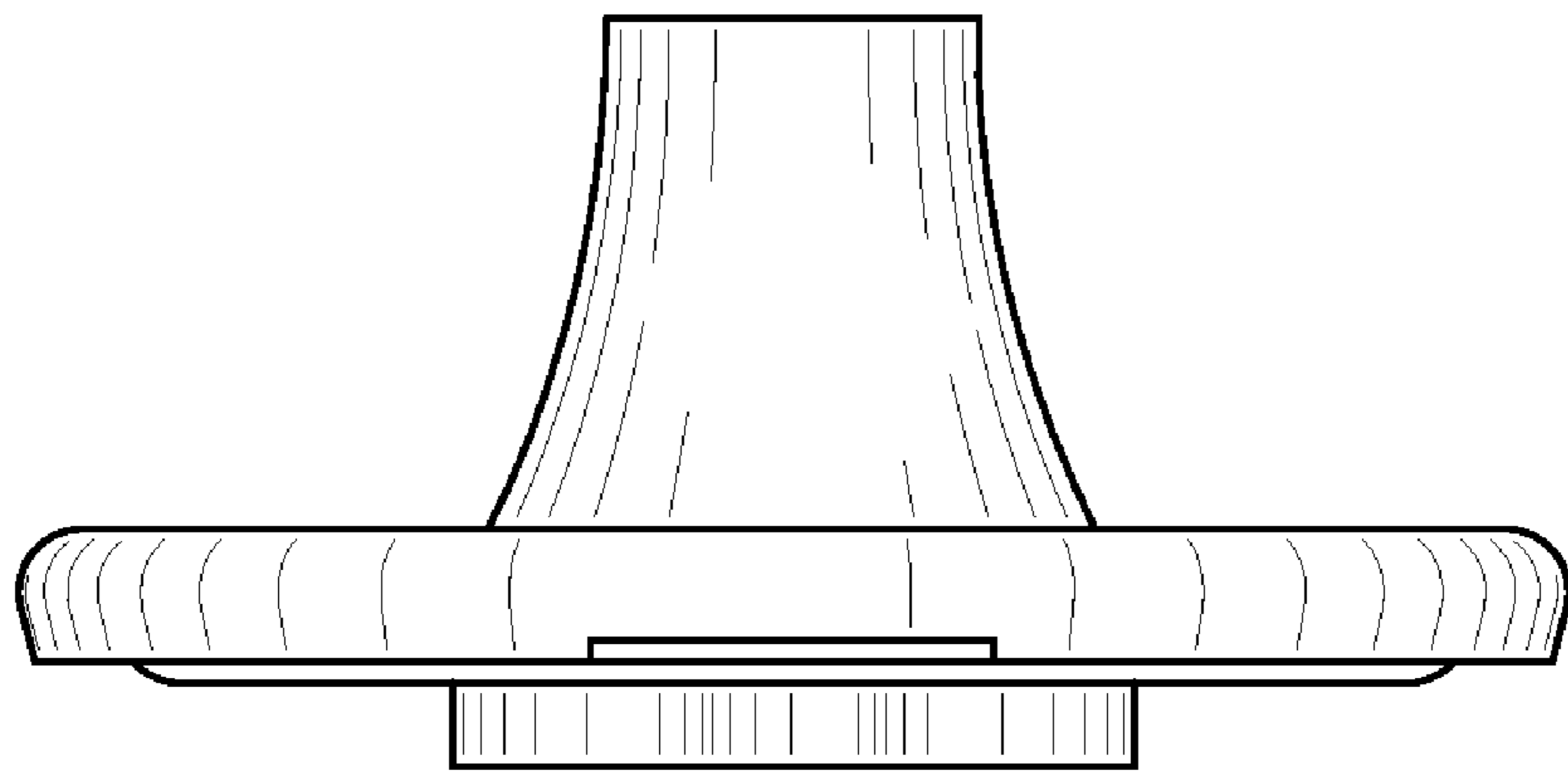


FIG. 7