



US00D630509S

(12) **United States Design Patent**
Strelets

(10) **Patent No.:** **US D630,509 S**
(45) **Date of Patent:** **** Jan. 11, 2011**

(54) **BOTTLE CLOSURE**

D430,491 S * 9/2000 Herrmann et al. D9/455

(75) Inventor: **Andrei Vasilievich Strelets**, Omsk (RU)

FOREIGN PATENT DOCUMENTS

UA 17406 9/2008

(73) Assignee: **Priority Club Inc.** (VG)

* cited by examiner

(**) Term: **14 Years**

Primary Examiner—Susan Bennett Hattan

(21) Appl. No.: **29/359,615**

(74) *Attorney, Agent, or Firm*—George R. McGuire; Bond Schoeneck & King, PLLC

(22) Filed: **Apr. 13, 2010**

(57) **CLAIM**

(30) **Foreign Application Priority Data**

The ornamental design for a bottle closure, as shown and described.

Oct. 13, 2009 (RU) 053480

DESCRIPTION

(51) **LOC (9) Cl.** **09-07**

FIG. 1 is a perspective view of a new and ornamental bottle closure;

(52) **U.S. Cl.** **D9/443; D9/454**

FIG. 2 is a front elevation view thereof;

(58) **Field of Classification Search** D9/761,

D9/759, 756, 708, 709, 702, 456, 455, 454,
D9/453, 445, 443, 436, 435, 434, 439; 53/412;
248/146; 229/120; 222/109; 220/4.23; 219/439;
215/305; 206/392.6, 392.1, 692; D7/304,
D7/295; D20/27, 22, 19

FIG. 3 is a rear elevation view thereof;

FIG. 4 is a left side elevation view thereof;

FIG. 5 is a right side elevation view thereof;

FIG. 6 is a top plan view thereof; and,

FIG. 7 is a bottom plan view thereof.

See application file for complete search history.

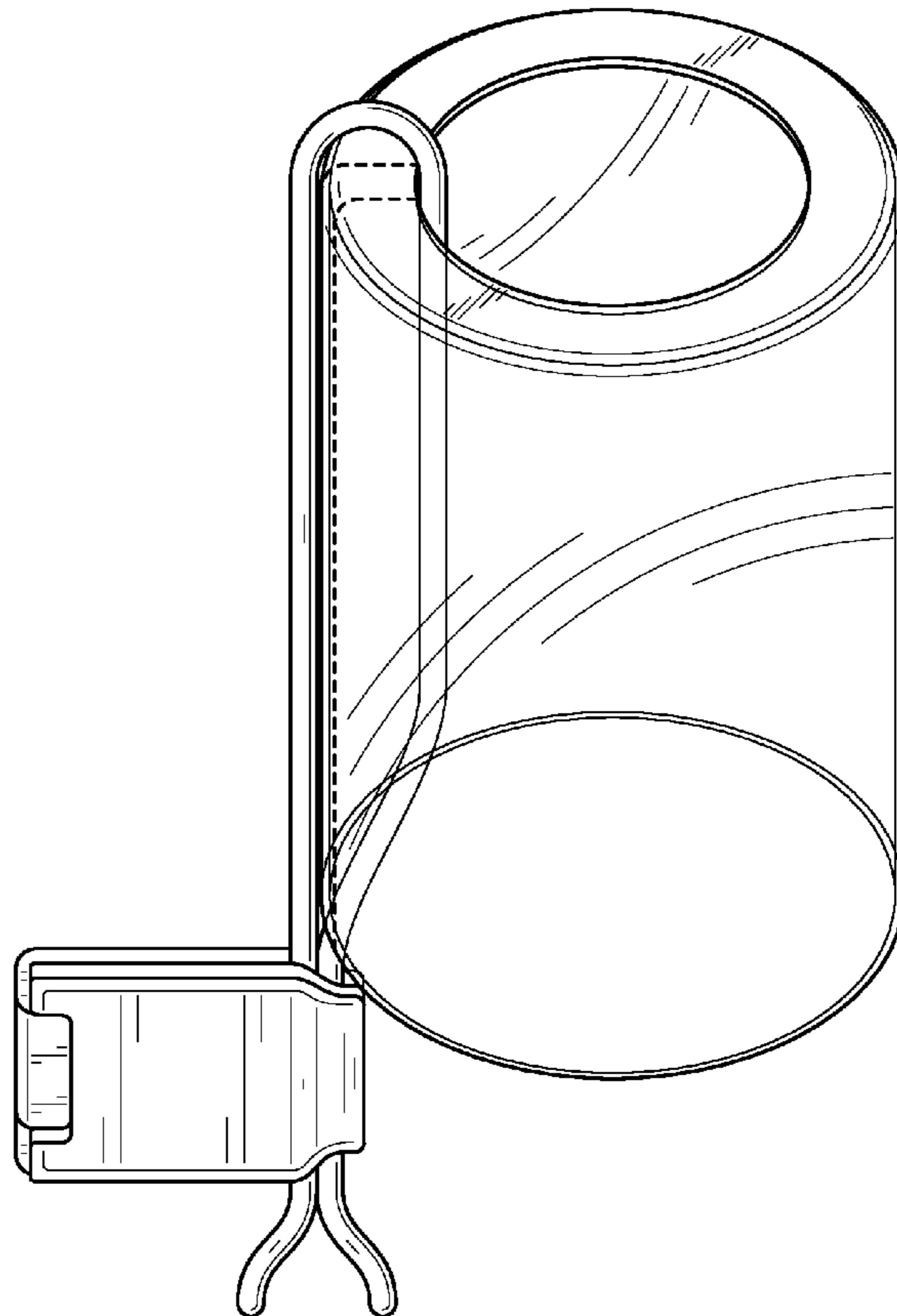
The broken lines in the drawing depict environmental subject matter only and form no part of the claimed design.

(56) **References Cited**

U.S. PATENT DOCUMENTS

D347,577 S * 6/1994 Dire D9/455
D405,192 S * 2/1999 Smith et al. D24/227

1 Claim, 6 Drawing Sheets



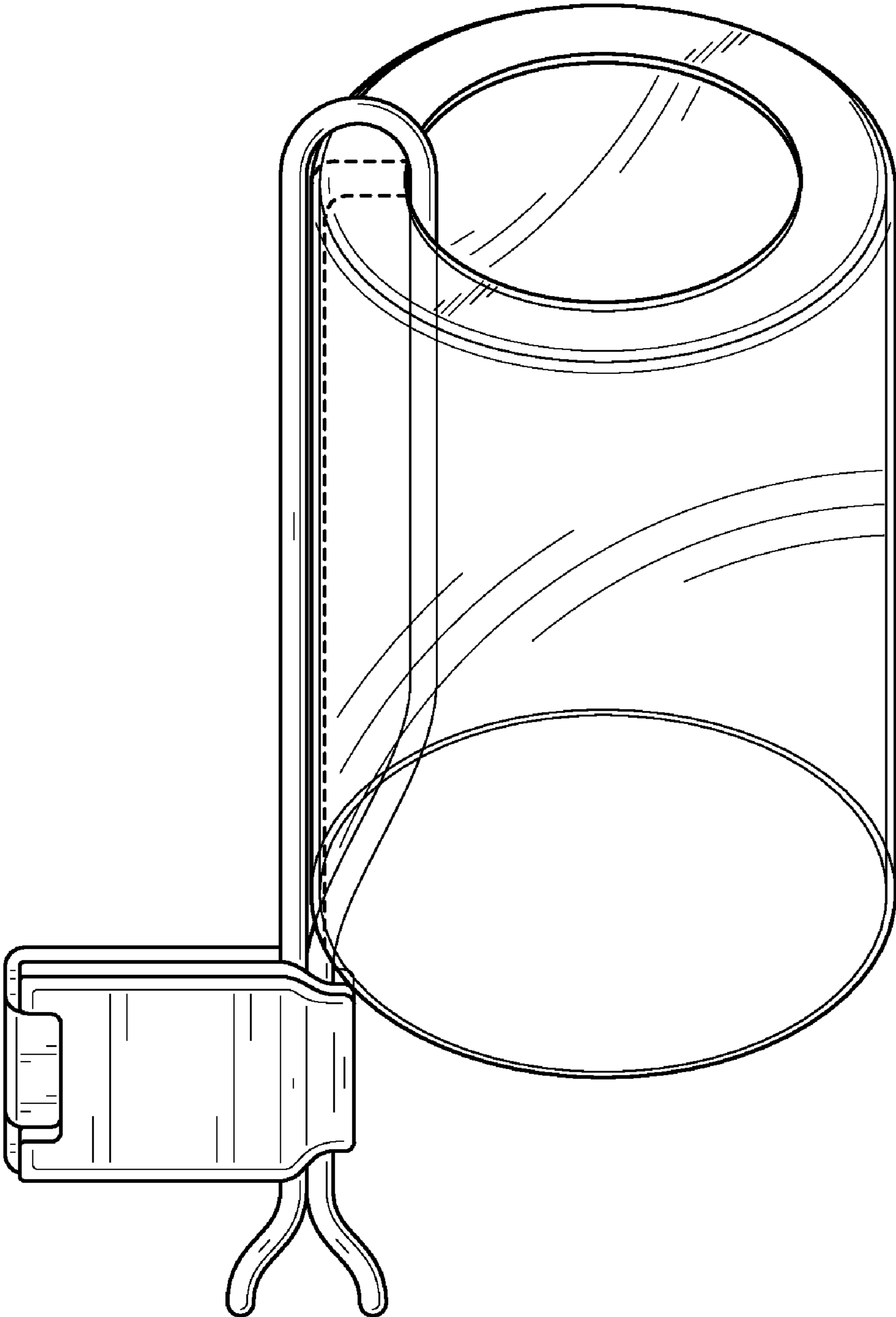


FIG. 1

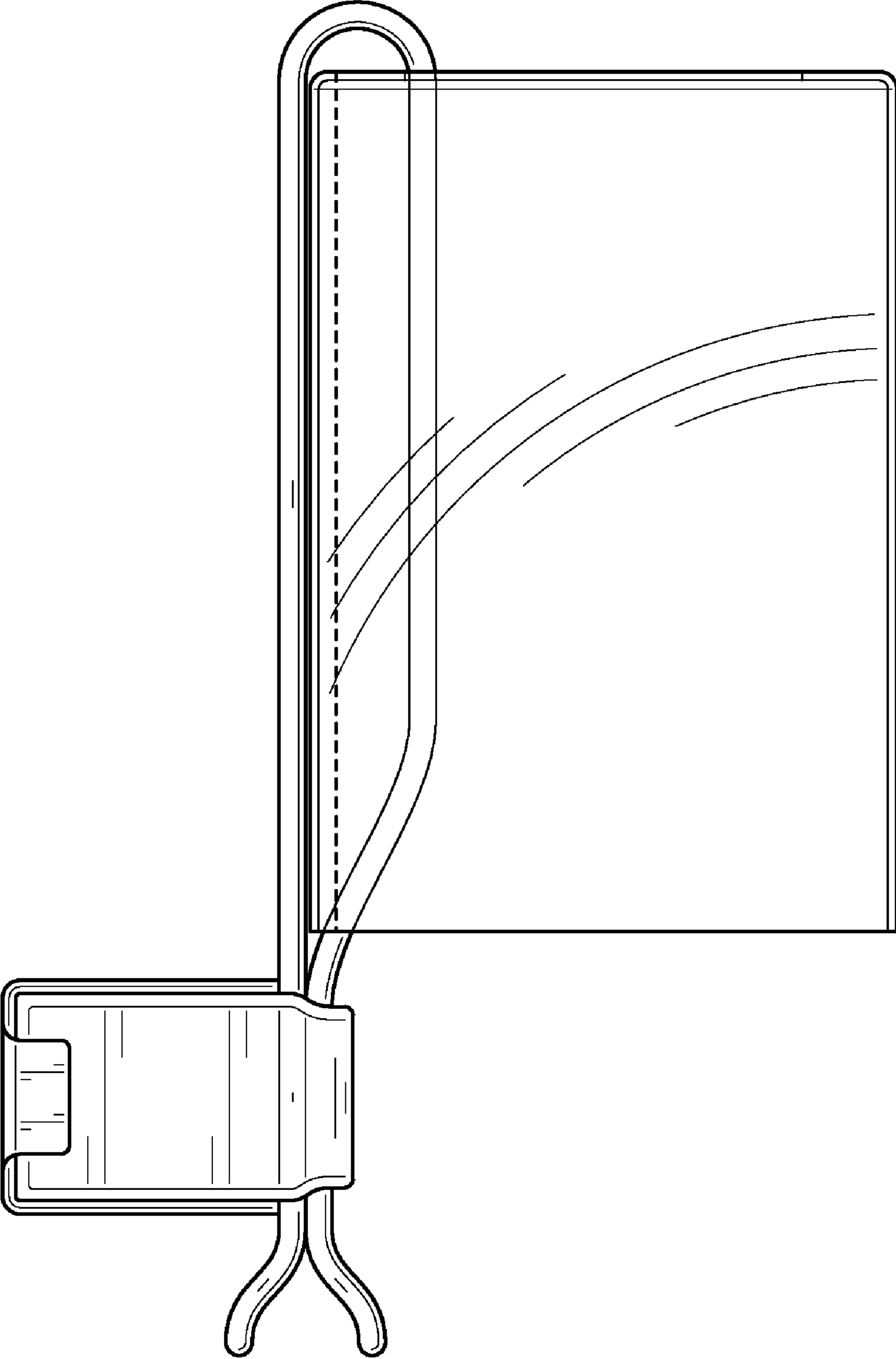


FIG. 2

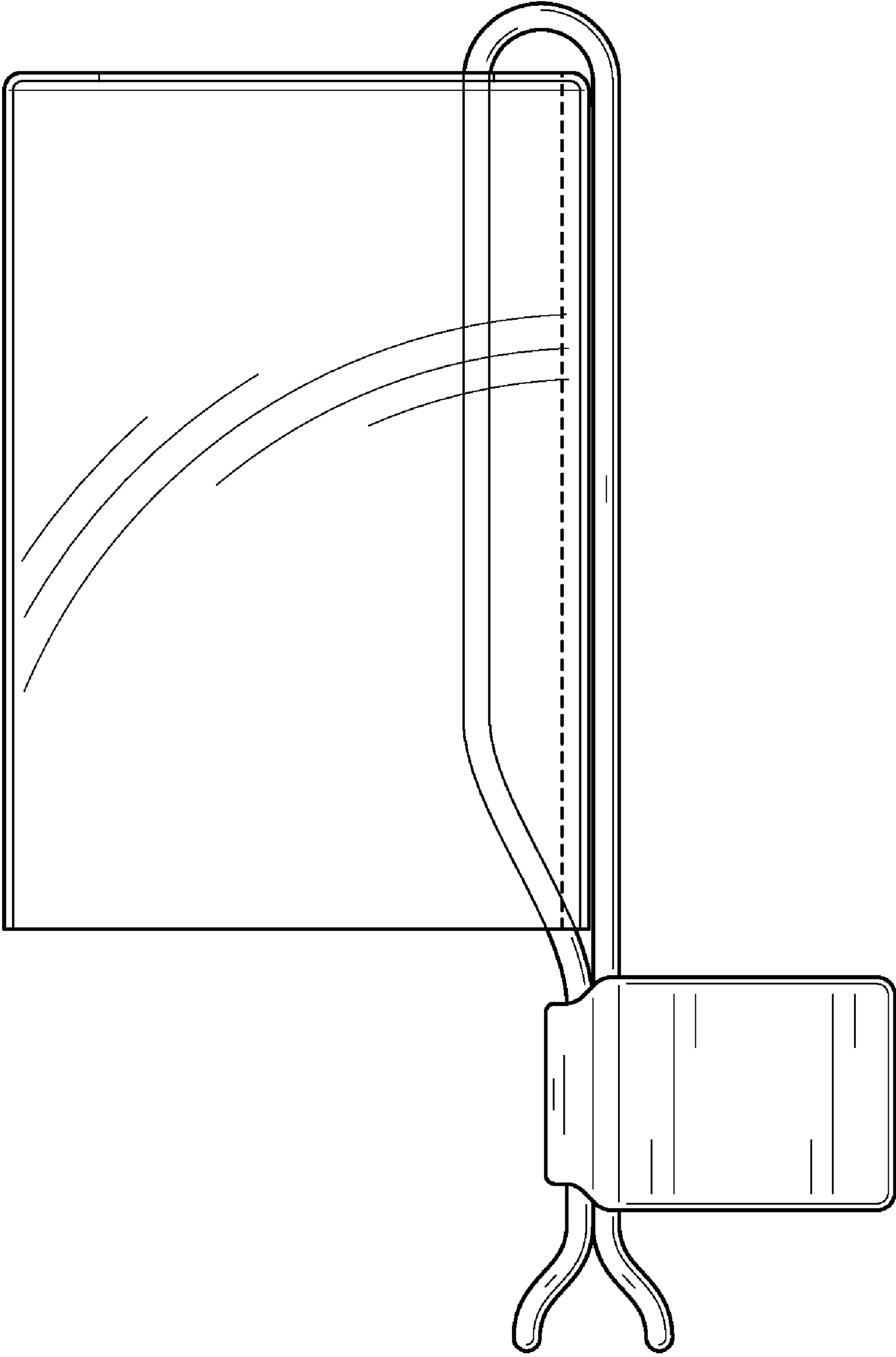


FIG. 3

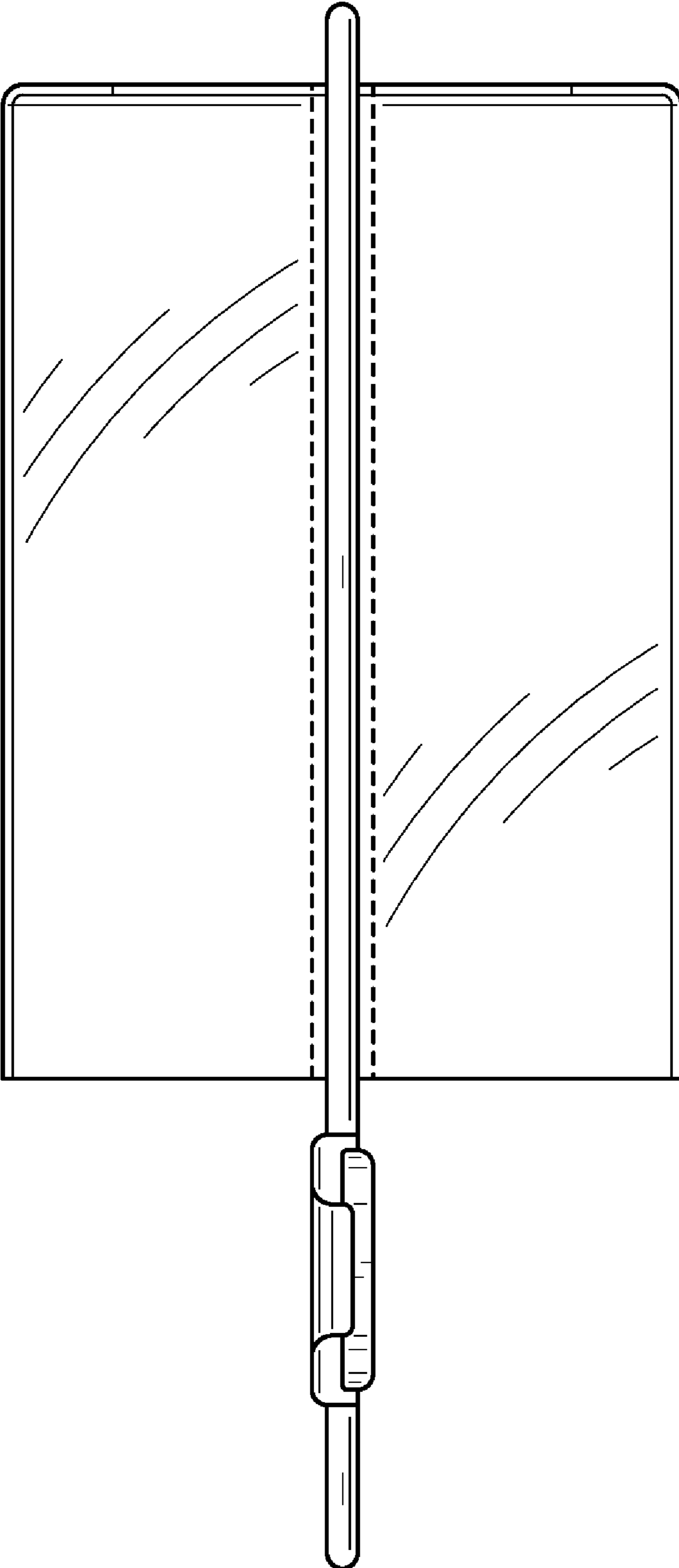


FIG. 4

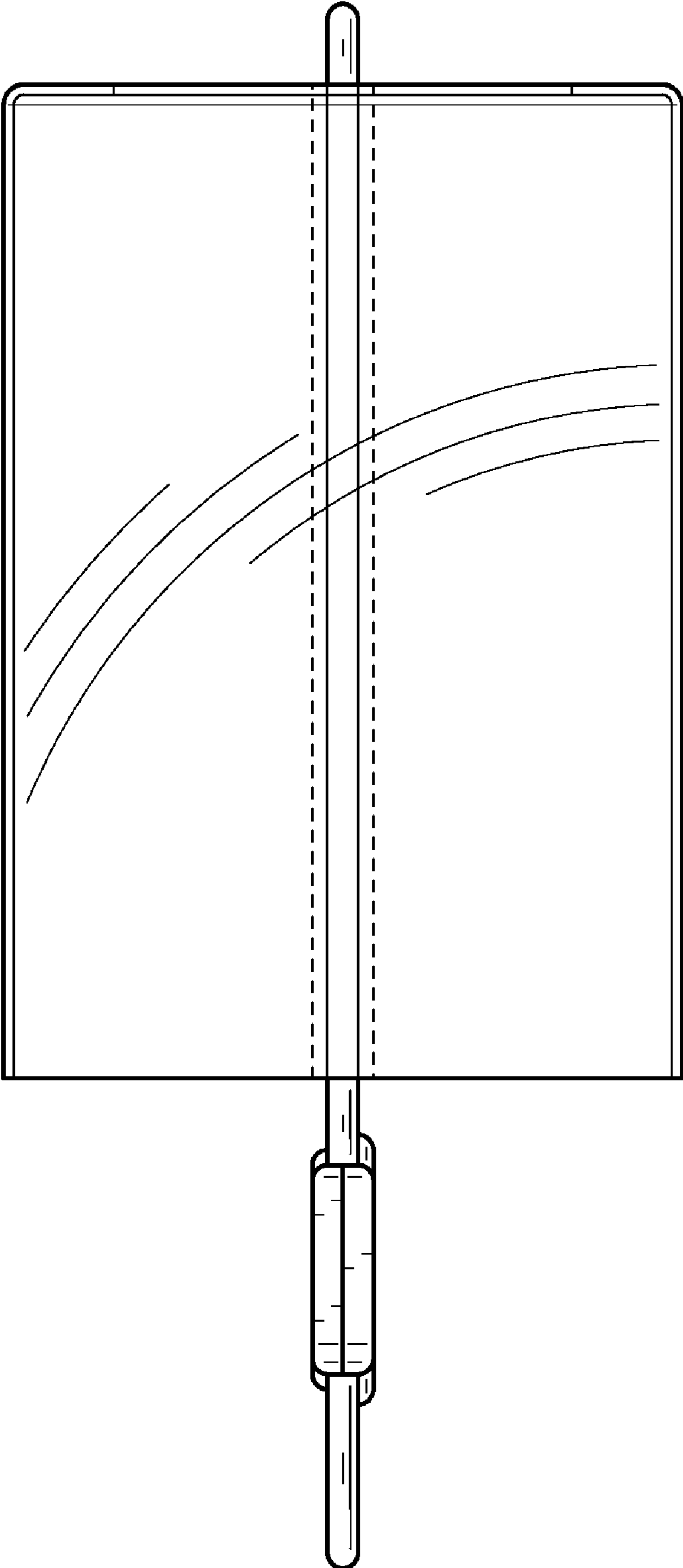


FIG. 5

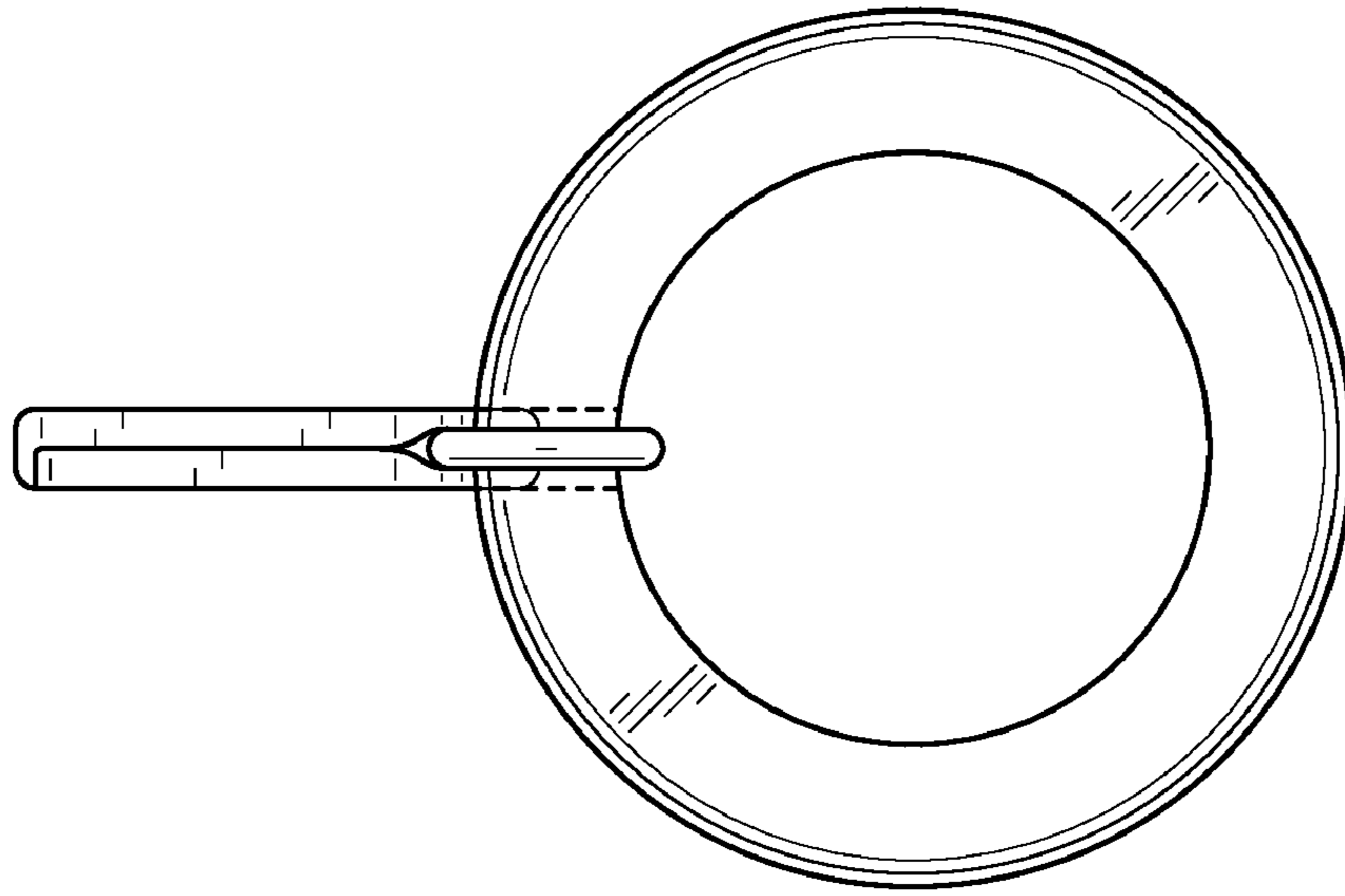


FIG. 6

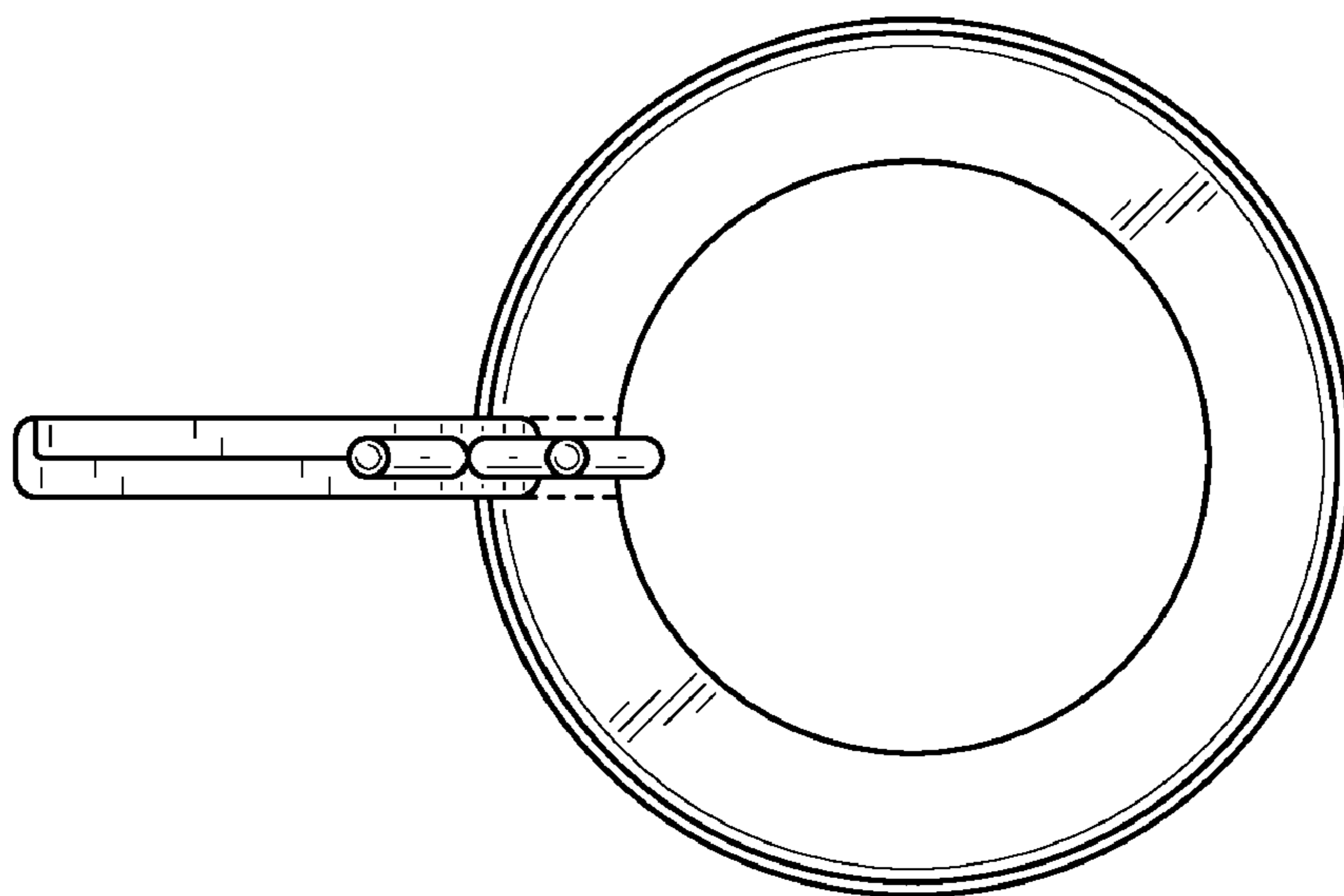


FIG. 7