



US00D630508S

(12) **United States Design Patent**  
**Hubbard, Jr. et al.**

(10) **Patent No.:** **US D630,508 S**  
(45) **Date of Patent:** **\*\* Jan. 11, 2011**

(54) **FOOD TRAY**

(75) Inventors: **James A. Hubbard, Jr.**, Oak Lawn, IL (US); **Matthew R. Cook**, Hinsdale, IL (US); **Thomas Fu**, Naperville, IL (US)

(73) Assignee: **LBP Manufacturing, Inc.**, Cicero, IL (US)

(\*\*) Term: **14 Years**

(21) Appl. No.: **29/364,228**

(22) Filed: **Jun. 21, 2010**

(51) **LOC (9) Cl.** ..... **09-03**

(52) **U.S. Cl.** ..... **D9/433**; D9/431

(58) **Field of Classification Search** ..... D9/414-418, D9/420-425, 430-433, 761; 206/457, 503, 206/508, 509, 551, 746, 784, 822; 229/100, 229/103.3, 105, 106, 108, 108.1, 109, 112-116, 229/120, 120.24, 126, 155, 162.1, 165, 167, 229/237, 247, 407, 902, 911, 915, 916, 919, 229/922, 938

See application file for complete search history.

(56) **References Cited**

**U.S. PATENT DOCUMENTS**

2,330,521	A *	9/1943	Scheide	.....	229/157
D259,615	S *	6/1981	Morris, Jr.	.....	D7/605
D348,607	S *	7/1994	Young	.....	D9/423
5,411,204	A	5/1995	DeMay		
5,800,061	A *	9/1998	Volles	.....	383/15
6,036,085	A *	3/2000	Tsao	.....	229/117.14
6,050,483	A *	4/2000	Haraldsson et al.	.....	229/114
6,543,679	B2 *	4/2003	Cai et al.	.....	229/120.06

D495,251	S *	8/2004	Zack	.....	D9/431
D519,366	S *	4/2006	Epstein	.....	D9/431
D552,987	S *	10/2007	Magnusson	.....	D9/432
7,587,883	B2 *	9/2009	Cook et al.	.....	53/491
2004/0182916	A1 *	9/2004	Roseth	.....	229/155
2010/0065620	A1 *	3/2010	Smith	.....	229/109

**OTHER PUBLICATIONS**

Photo of food box believed to have been taken prior to Jun. 21, 2010.

\* cited by examiner

*Primary Examiner*—Thomas J Johannes

(74) *Attorney, Agent, or Firm*—Brinks Hofer Gilson & Lione

(57) **CLAIM**

We claim the ornamental design for a food tray, as shown and described.

**DESCRIPTION**

FIG. 1 is a perspective view of a food tray showing our new design;

FIG. 2 is a front elevation view thereof;

FIG. 3 is a rear elevation view thereof;

FIG. 4 is a side elevation view thereof;

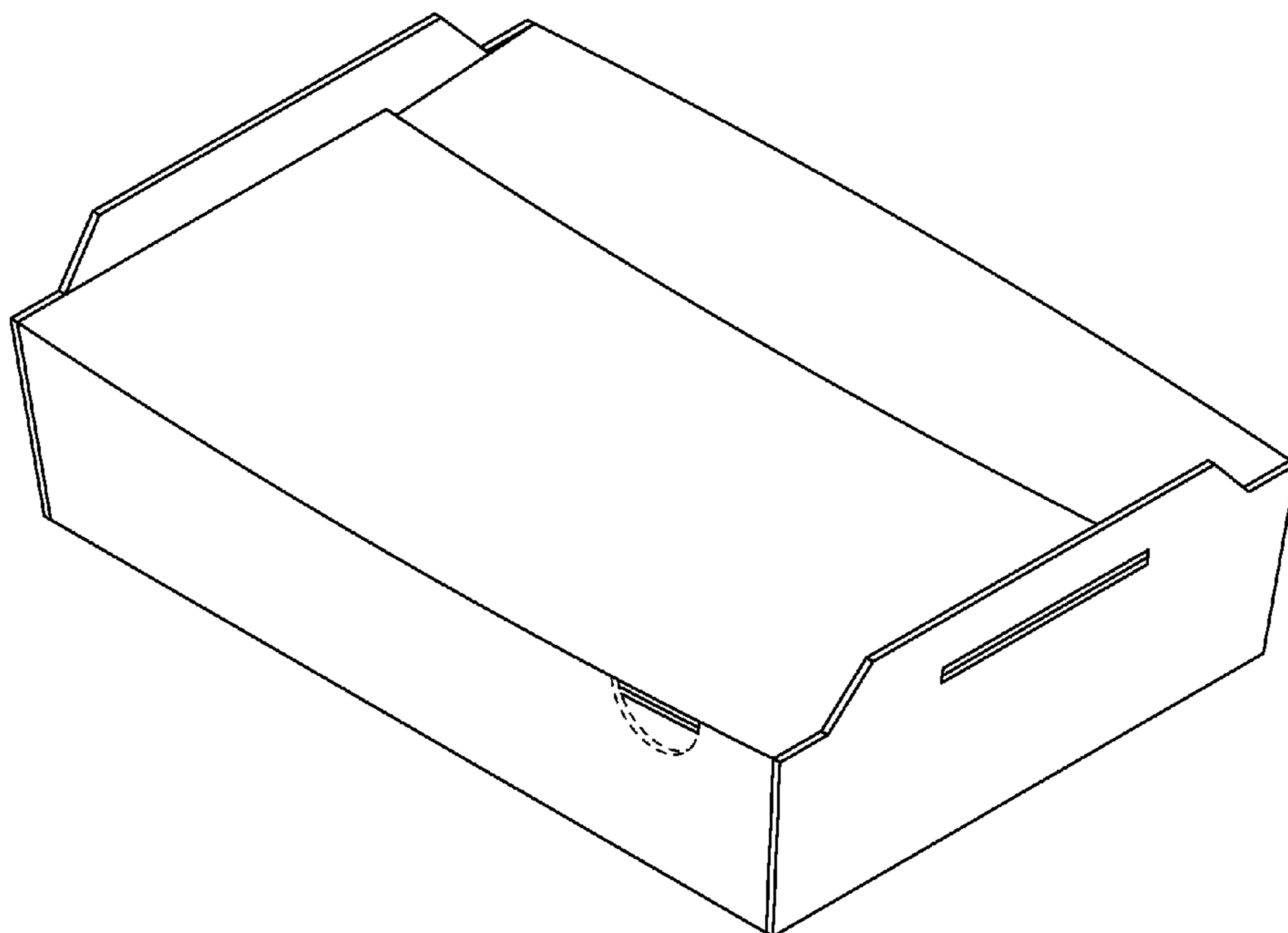
FIG. 5 is a top plan view thereof;

FIG. 6 is a bottom plan view thereof; and,

FIG. 7 is an unassembled blank plan view thereof.

The dot-dash style broken lines in FIG. 7 show claimed fold lines; the lightweight dashed broken lines in FIGS. 1, 2, 3, 6, and 7 show unclaimed cutout vents and form no part of the claimed design.

**1 Claim, 3 Drawing Sheets**



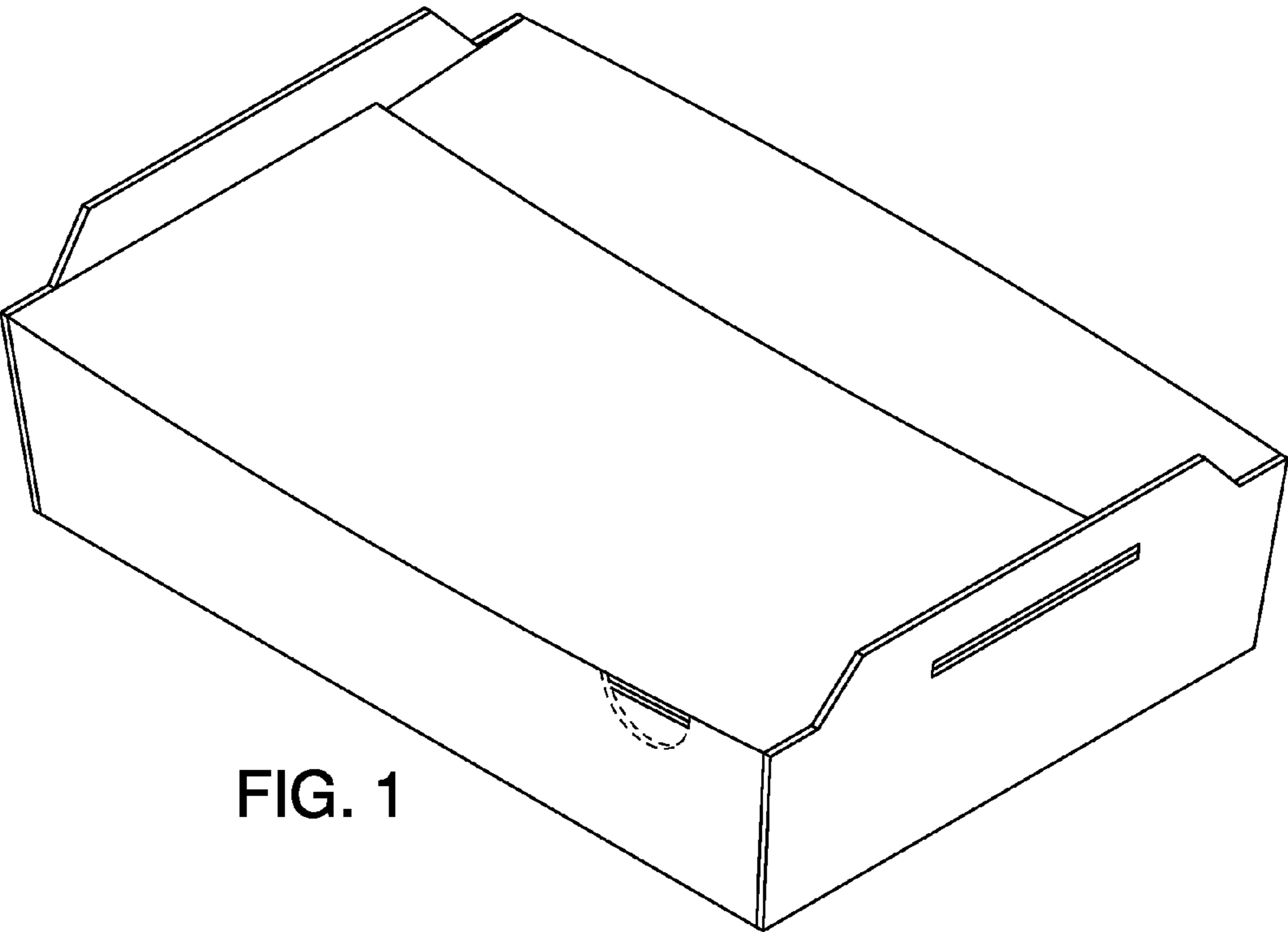


FIG. 1

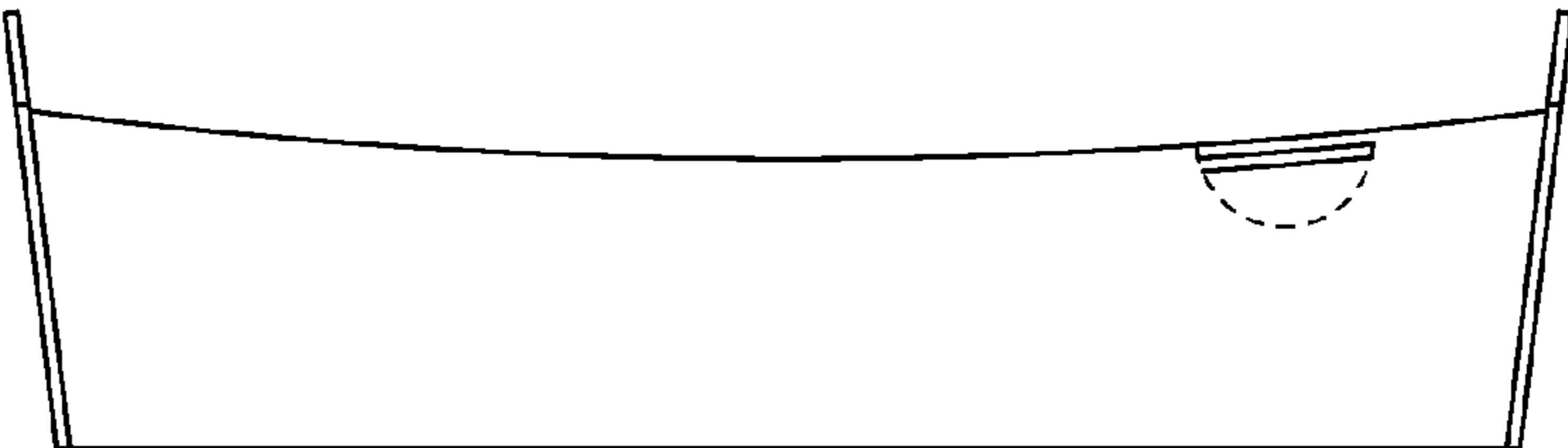


FIG. 2

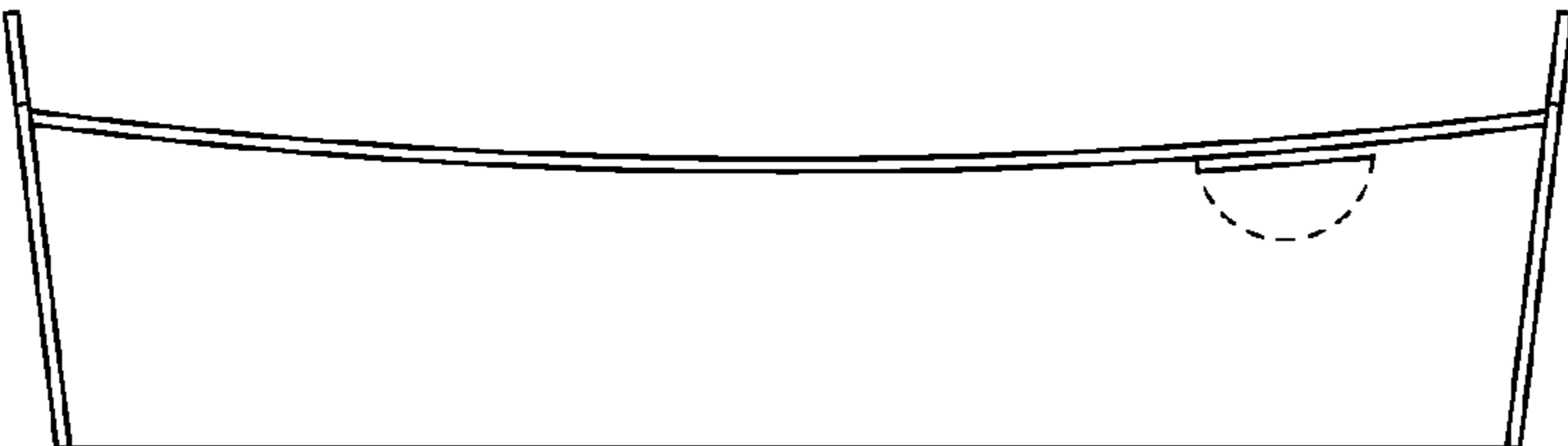


FIG. 3

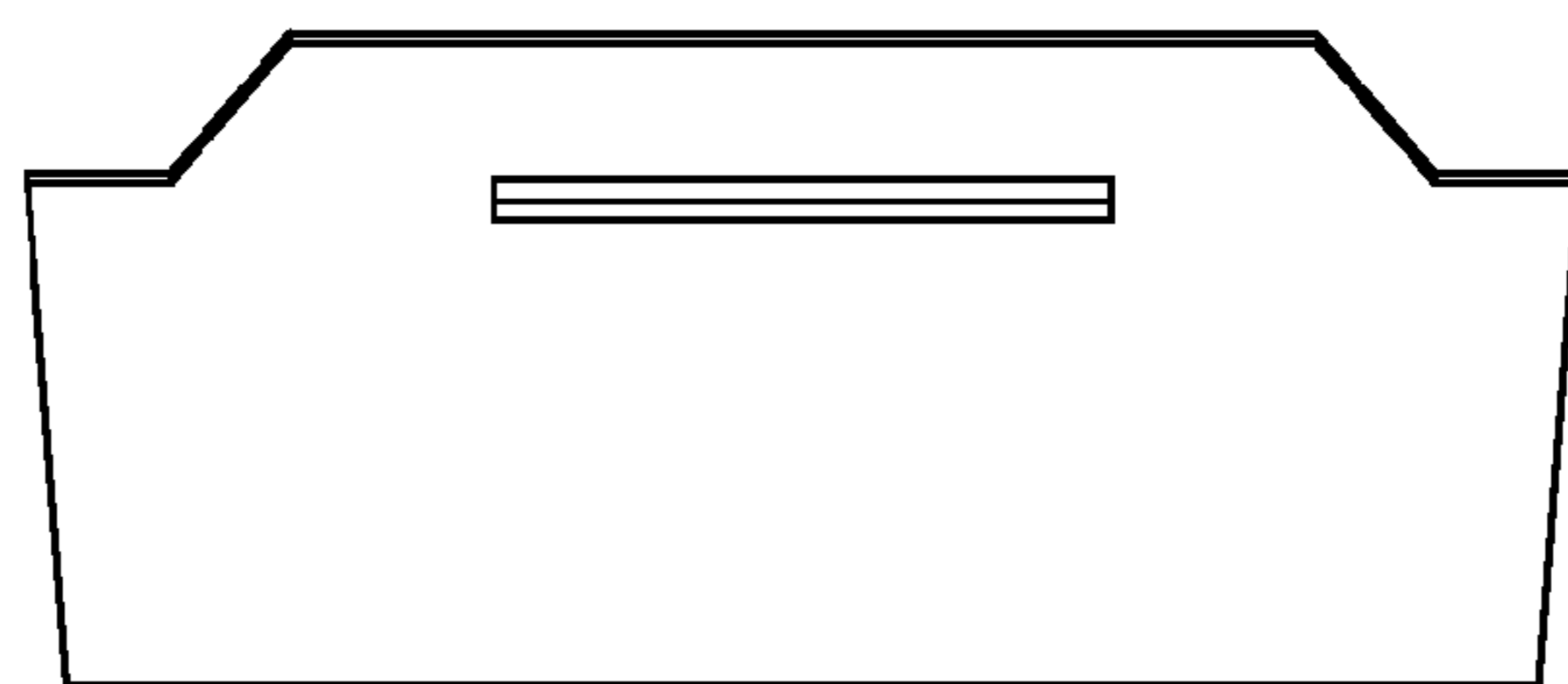


FIG. 4

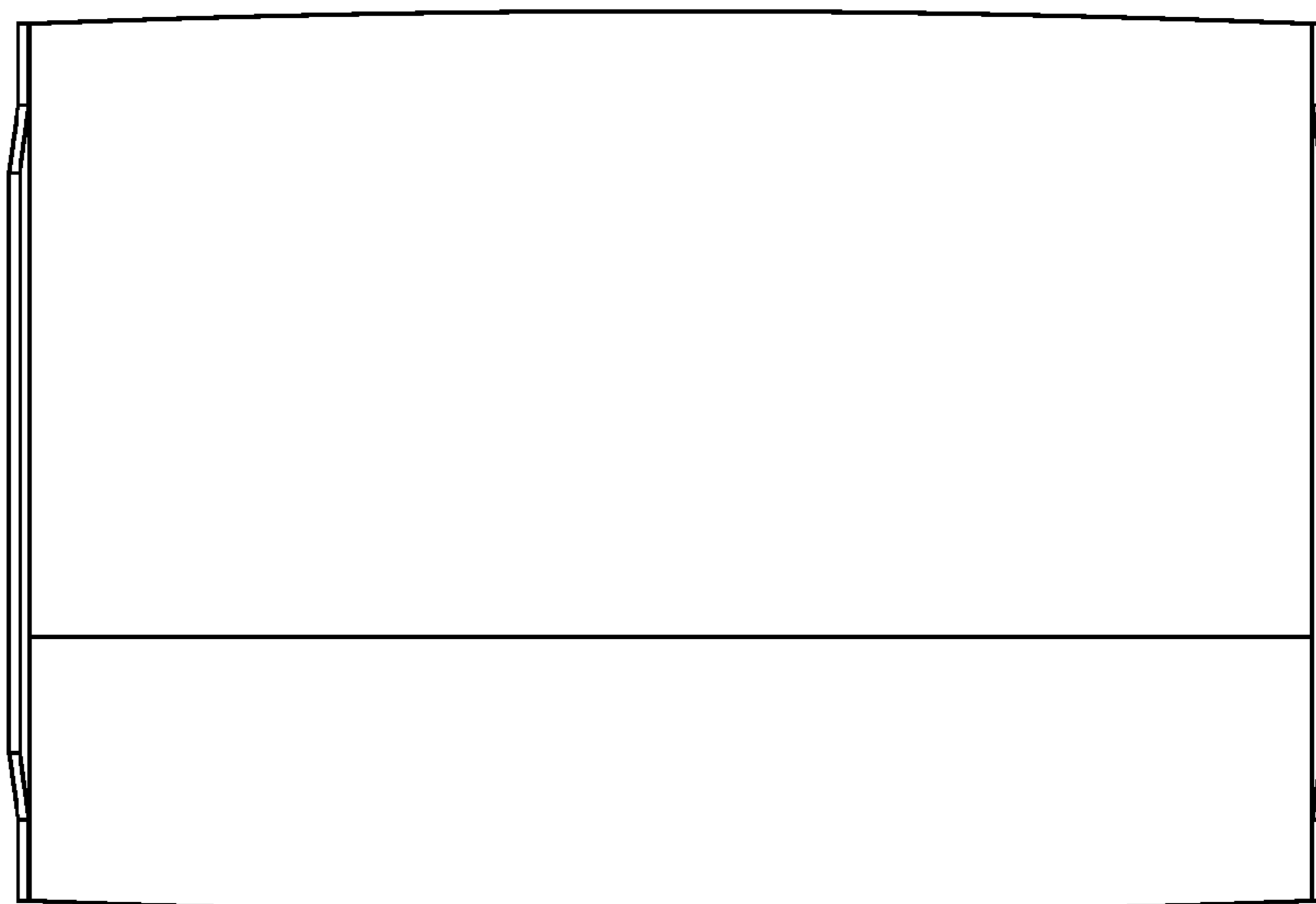


FIG. 5

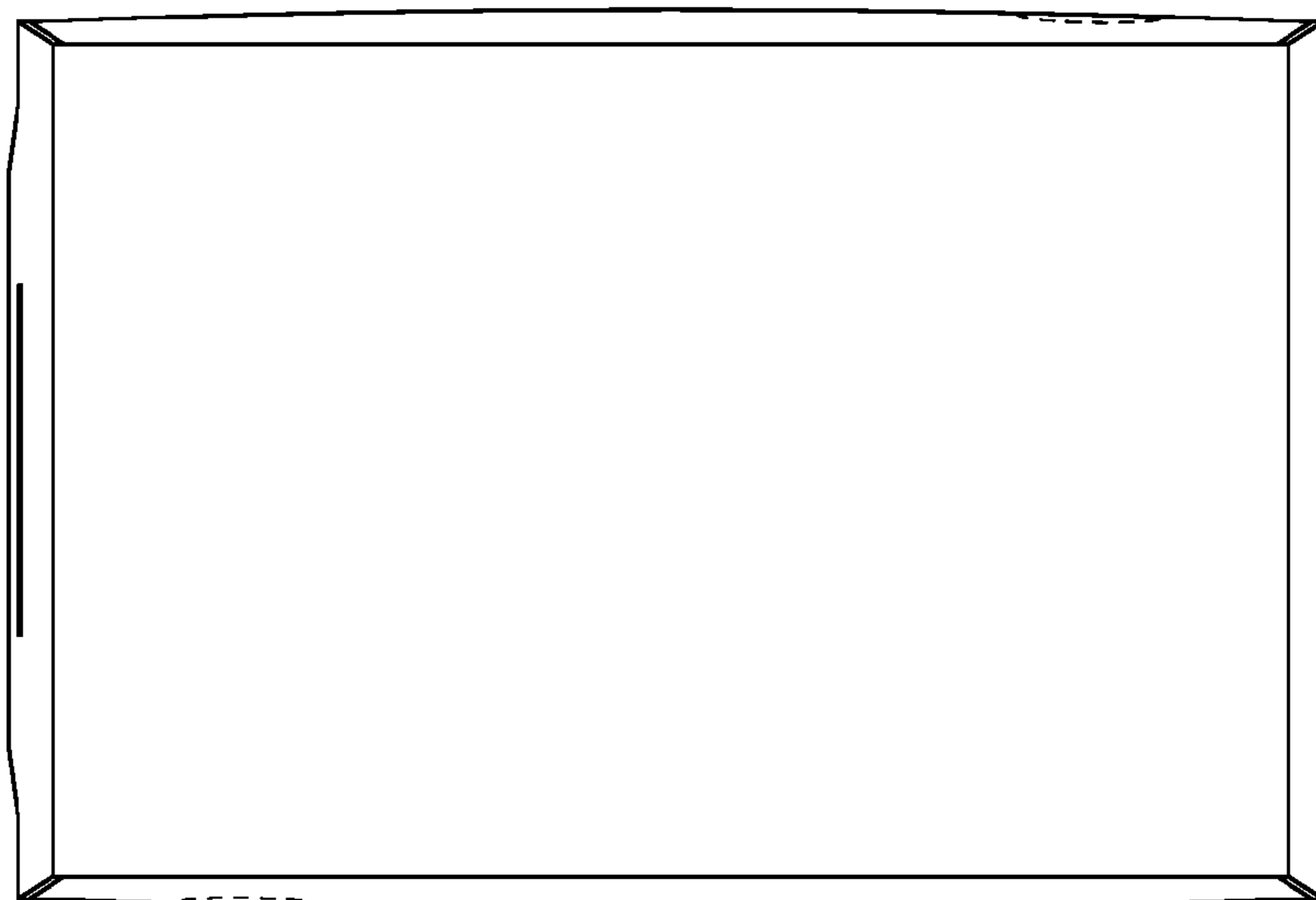


FIG. 6

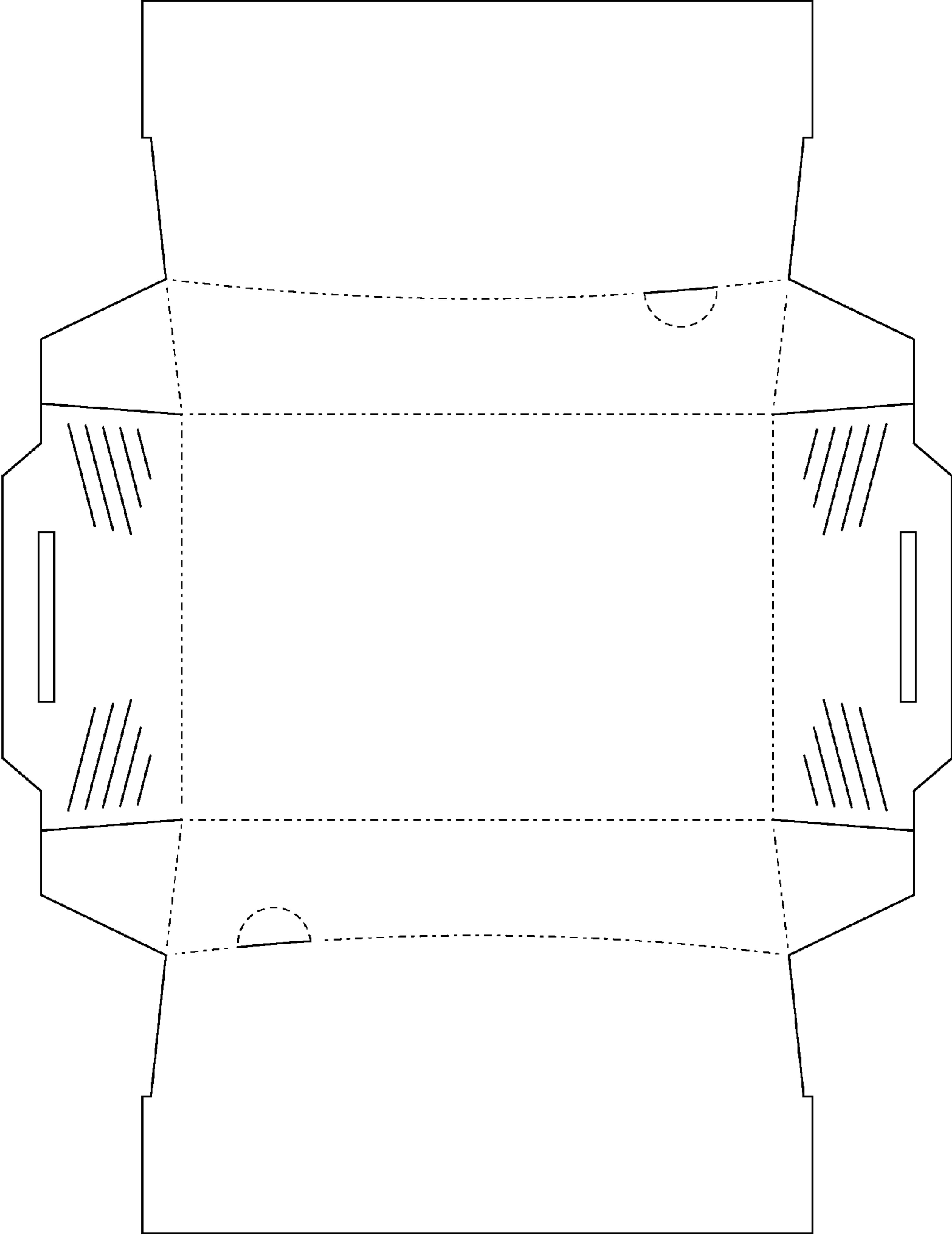


FIG. 7