



US00D630505S

(12) **United States Design Patent**
Westemeyer et al.

(10) **Patent No.:** **US D630,505 S**

(45) **Date of Patent:** **** Jan. 11, 2011**

(54) **ABSORBENT ARTICLE CONTAINER**

(75) Inventors: **Jennifer Lea Westemeyer**, Neenah, WI (US); **George Ikuya Nukuto**, Neenah, WI (US); **Jane Louise Clough**, Neenah, WI (US); **Dean Martin Wydeven**, Appleton, WI (US)

(73) Assignee: **Kimberly-Clark Worldwide, Inc.**, Neenah, WI (US)

(**) Term: **14 Years**

(21) Appl. No.: **29/358,449**

(22) Filed: **Mar. 26, 2010**

(51) **LOC (9) Cl.** **09-03**

(52) **U.S. Cl.** **D9/426; D9/734**

(58) **Field of Classification Search** D3/201, D3/273, 274, 276, 275, 292, 294, 295, 298, D3/901; D6/515, 518; D7/629; D9/414, D9/415, 420, 421, 422, 423, 424, 425, 426, D9/430, 730, 734; D28/76, 77, 78, 81, 83; 132/293, 294, 295, 296, 297, 298, 299, 300, 132/301, 302, 303, 304, 305, 306, 307; 206/235, 206/581, 823; 220/253, 254

See application file for complete search history.

(56) **References Cited**

U.S. PATENT DOCUMENTS

D42,949 S *	8/1912	Perkins	D9/423
D48,897 S *	4/1916	Hubbard	D9/423
D106,777 S *	11/1937	Voigt et al.	D3/294
D144,533 S *	4/1946	Worley	D3/295
D163,593 S *	6/1951	Flynn	D3/294
2,722,309 A *	11/1955	Waterman	206/534.2
D182,654 S *	4/1958	Glaberson	D9/420
D190,271 S *	5/1961	Sherman	D9/292
D190,447 S *	5/1961	Bindman	D9/423
D207,278 S *	3/1967	Neeley	D9/423
D209,629 S *	12/1967	Brockway	D9/420
D245,762 S *	9/1977	Takacs	D9/420
D269,249 S *	6/1983	Cillario	D9/424
D276,794 S *	12/1984	Urion	D9/420

D278,097 S *	3/1985	Akiyoshi	D3/295
D305,947 S *	2/1990	Chevassus	D28/78
D309,431 S *	7/1990	Sheehan	D9/424
D310,243 S *	8/1990	Evenson	D19/75
D314,085 S *	1/1991	Uemura	D6/634
D321,416 S *	11/1991	Bakic	D28/83
D326,226 S *	5/1992	Gerhart	D9/423
D332,328 S *	1/1993	Lombardi, Jr.	D28/83
D350,880 S *	9/1994	VanValkenburg et al.	D7/629
D366,830 S *	2/1996	Christianson	D9/423

(Continued)

Primary Examiner—Elizabeth A Albert

Assistant Examiner—Karen E Eldridge Powers

(74) *Attorney, Agent, or Firm*—David J. Arteman

(57) **CLAIM**

We claim the ornamental design for an absorbent article container, as shown and described.

DESCRIPTION

FIG. 1 is a top perspective view of the absorbent article container.

FIG. 2 is a top view of the absorbent article container of FIG. 1.

FIG. 3 is a bottom view of the absorbent article container of FIG. 1.

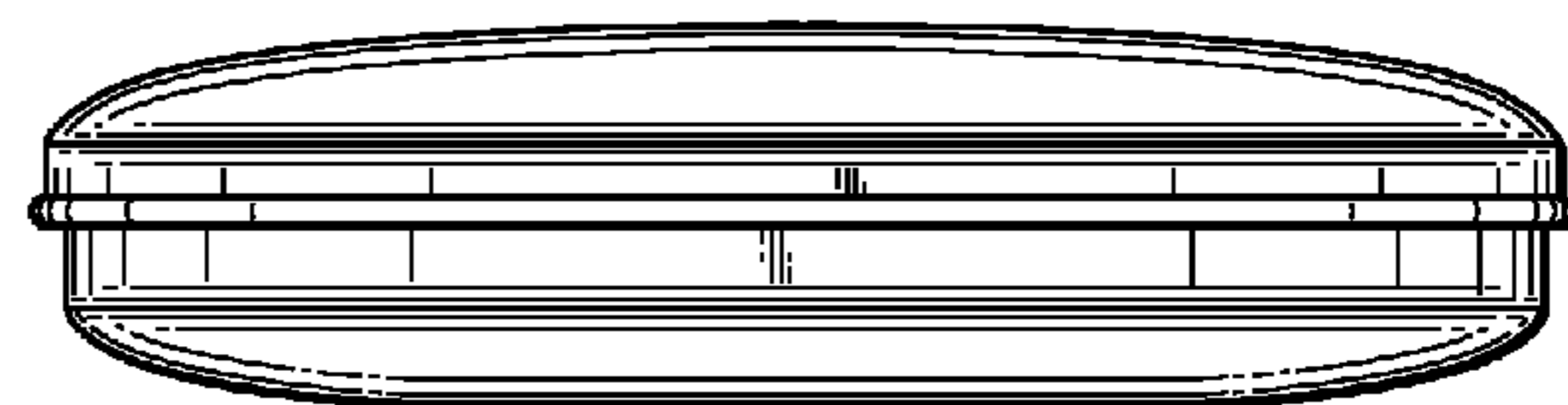
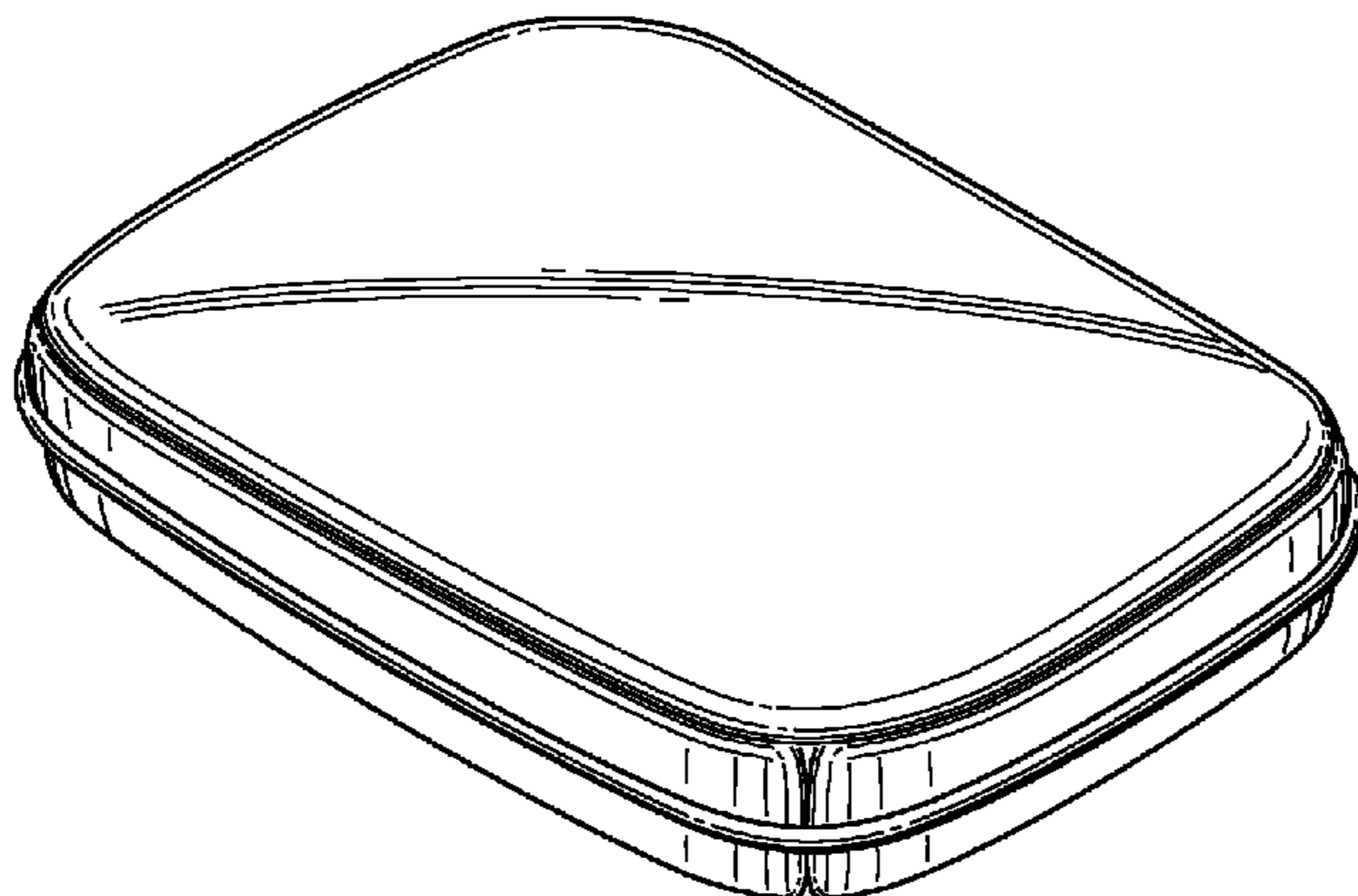
FIG. 4 is a front side view of the absorbent article container of FIG. 1.

FIG. 5 is a back side view of the absorbent article container of FIG. 1.

FIG. 6 is a right side view of the absorbent article container of FIG. 1; and,

FIG. 7 is a left side view of the absorbent article container of FIG. 1.

1 Claim, 3 Drawing Sheets



US D630,505 S

Page 2

U.S. PATENT DOCUMENTS

D433,331 S *	11/2000	Denham et al.	D9/432	D546,602 S *	7/2007	Chasid et al.	D6/518
D442,081 S *	5/2001	Paul	D9/423	D549,053 S *	8/2007	Dellaferrera	D7/629
D452,148 S *	12/2001	Friedberg	D9/423	D566,395 S *	4/2008	Langer et al.	D3/294
D469,607 S *	2/2003	Wolff	D3/294	D566,484 S *	4/2008	George	D7/629
D479,016 S *	8/2003	Sgariboldi	D28/78	D592,398 S *	5/2009	Roesler	D3/294
D527,182 S *	8/2006	Ham	D3/294	D592,399 S *	5/2009	Sage	D3/295
D531,023 S *	10/2006	Tanner	D9/423	D612,152 S *	3/2010	Roesler	D3/294
D531,025 S *	10/2006	Tanner	D9/426	2003/0230514 A1 *	12/2003	Baker	206/732

* cited by examiner

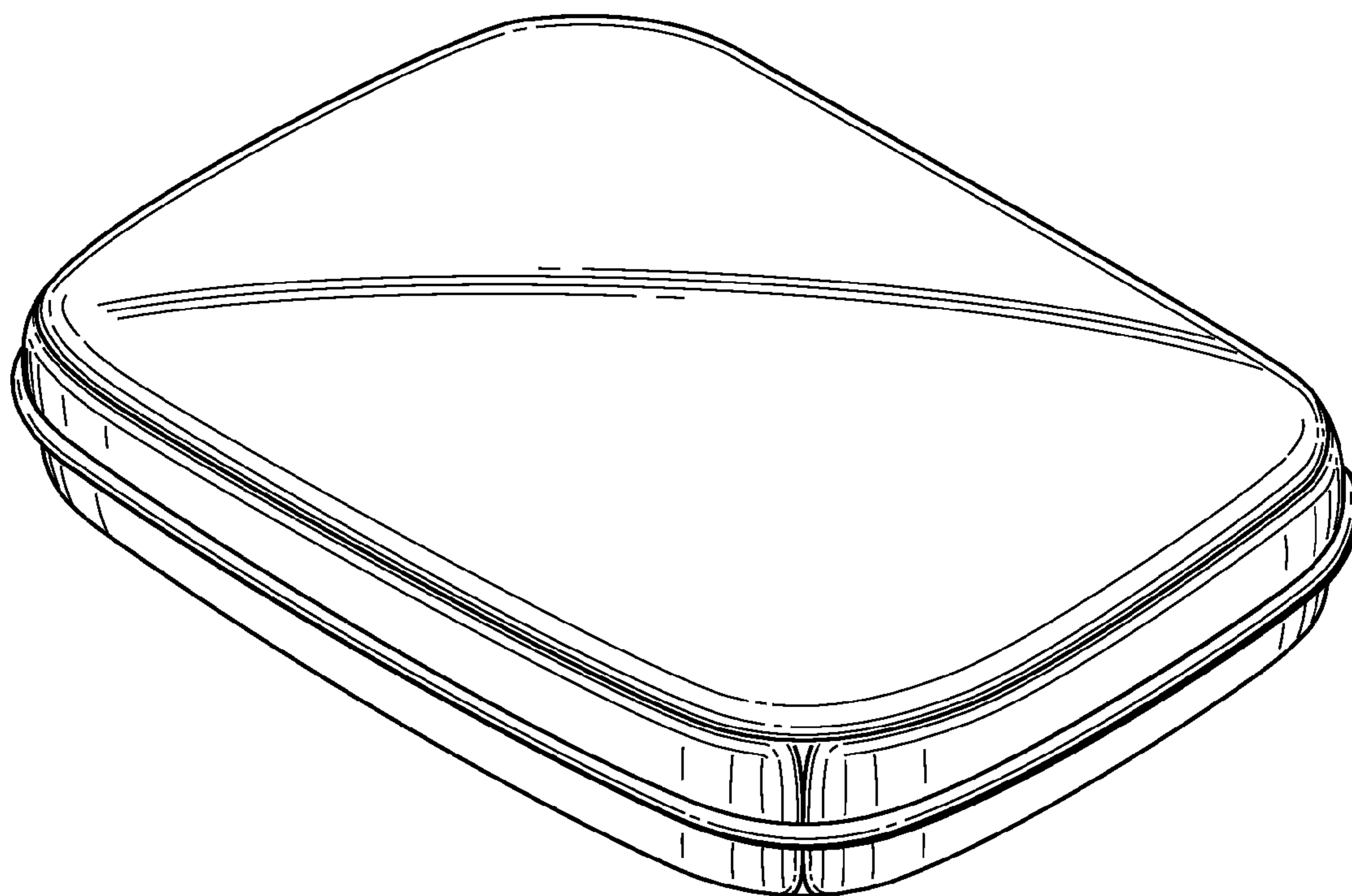


FIG. 1

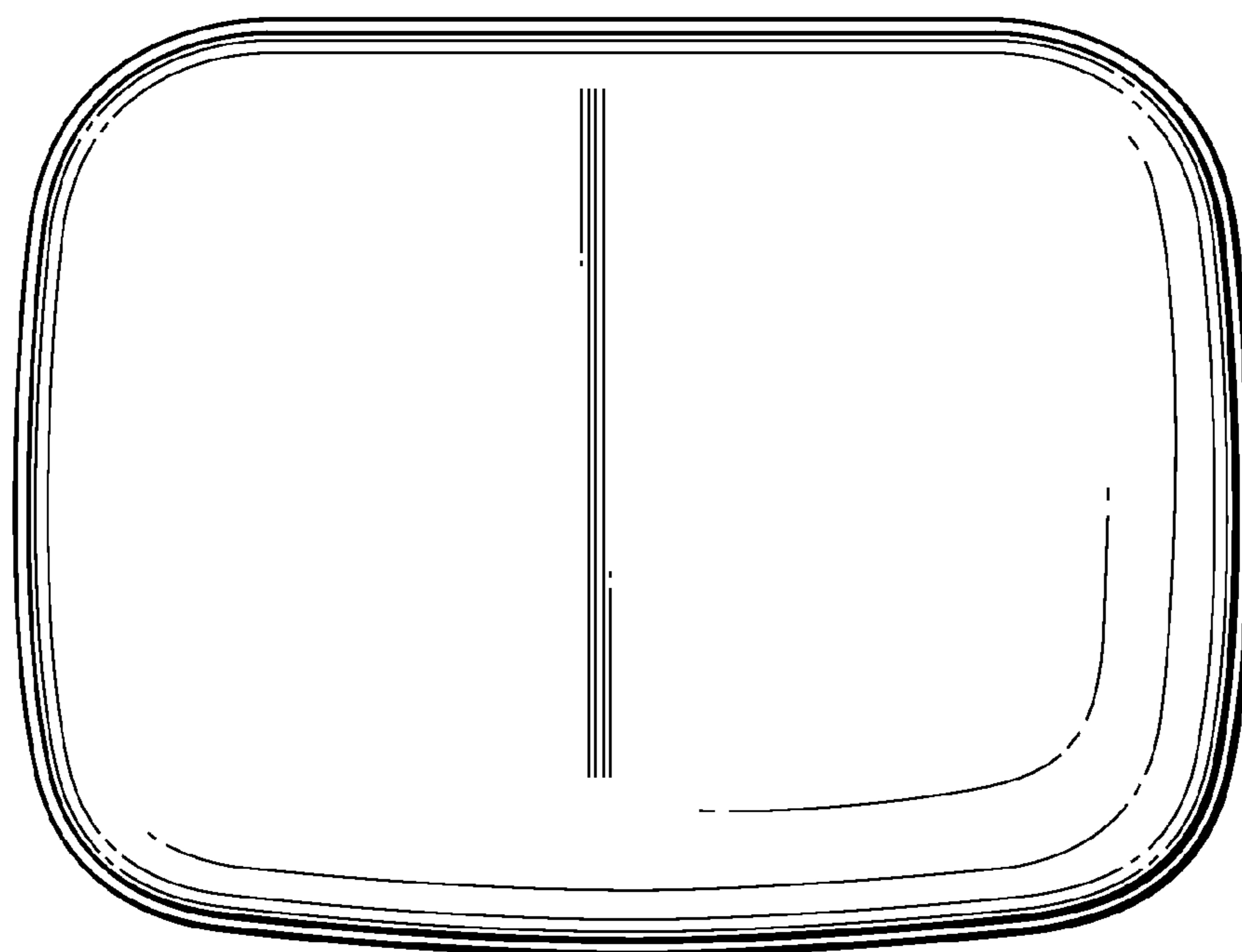


FIG. 2

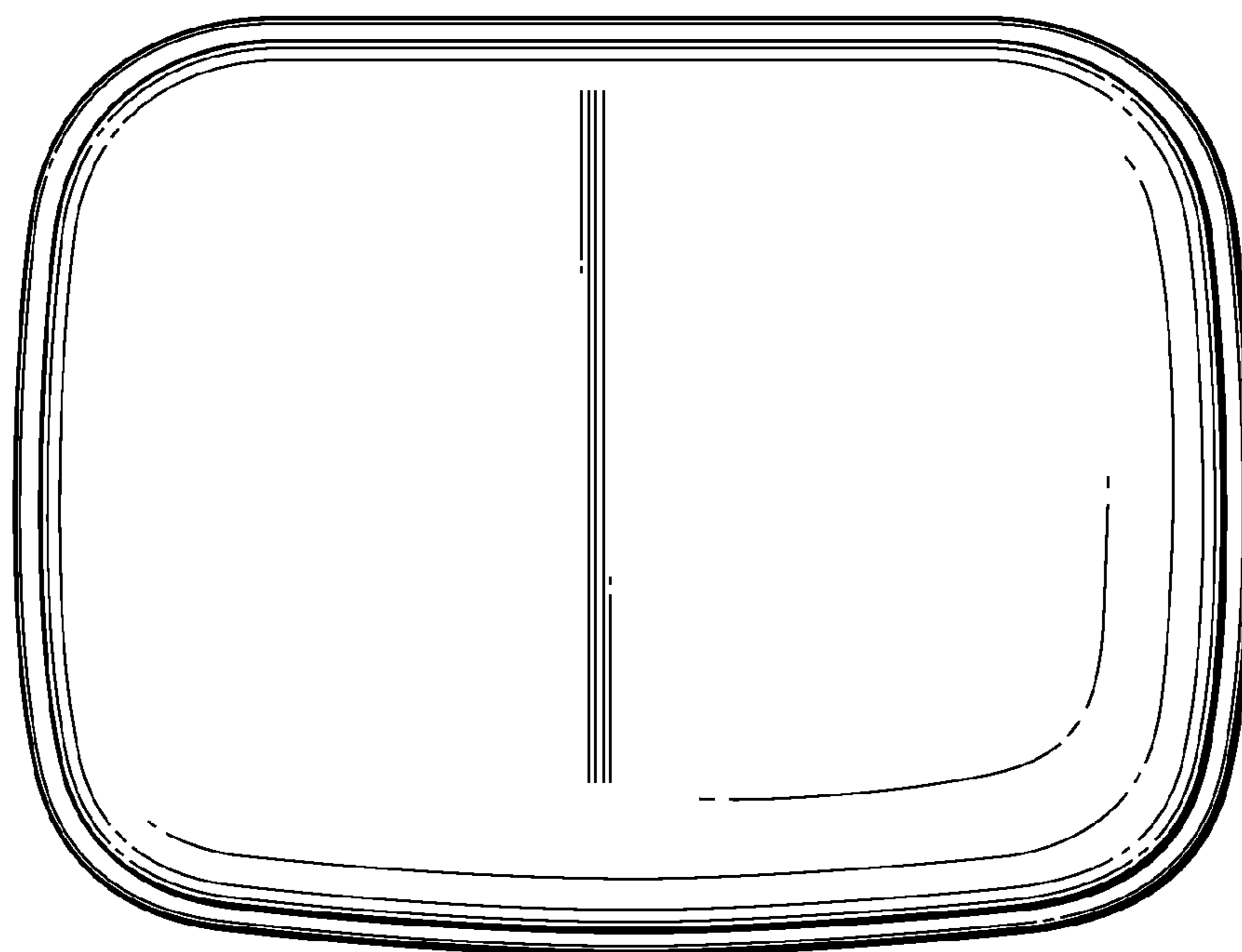


FIG. 3

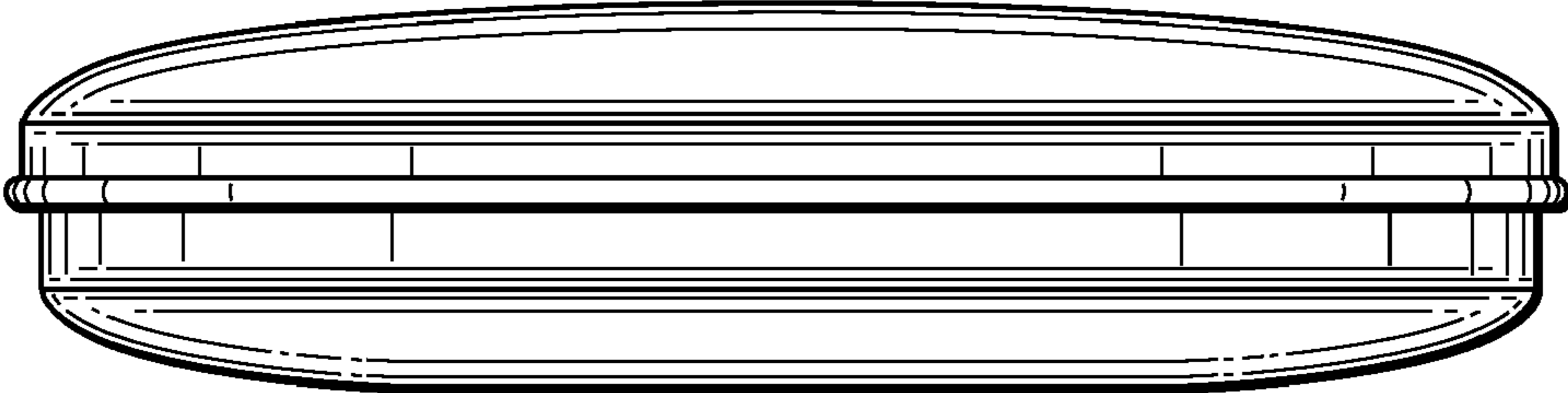


FIG. 4

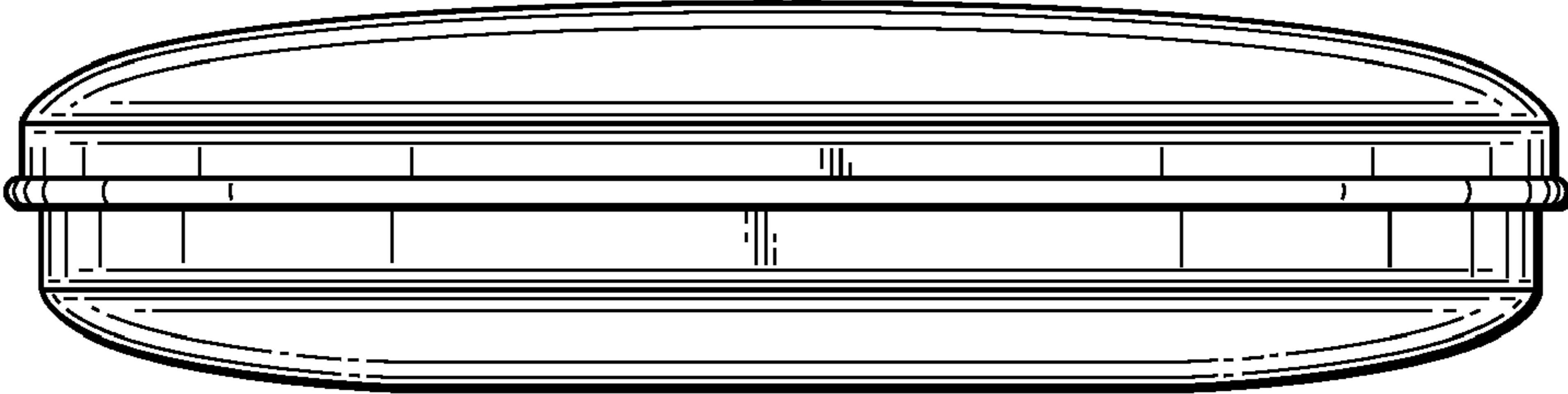


FIG. 5

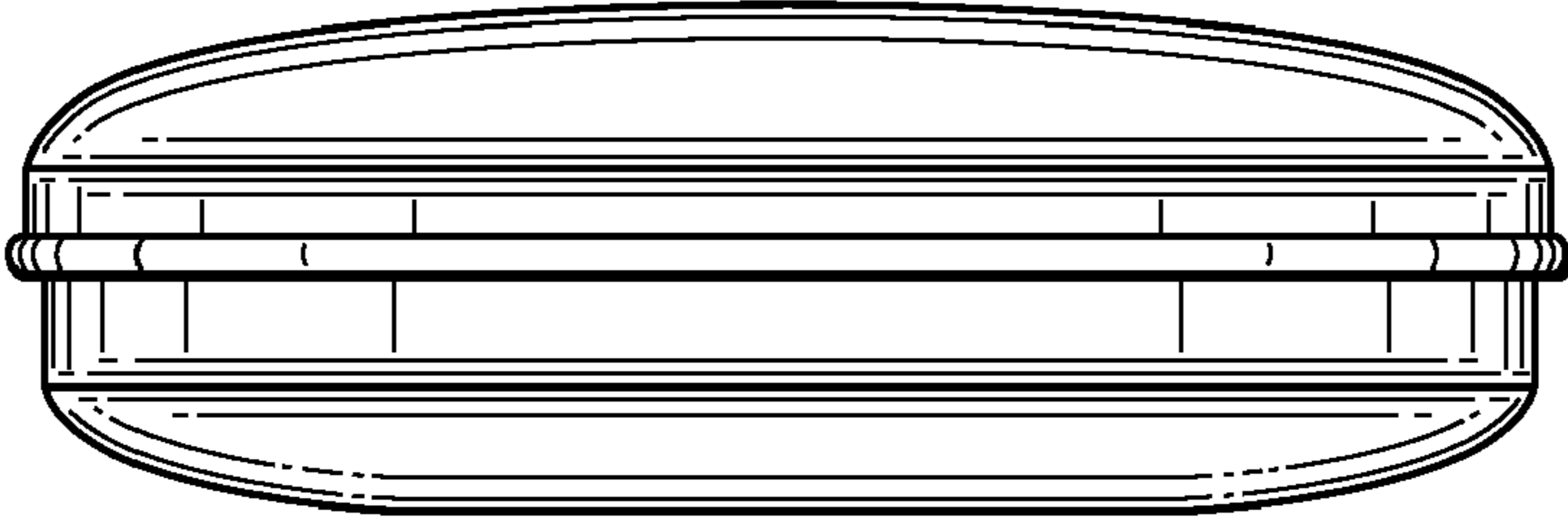


FIG. 6

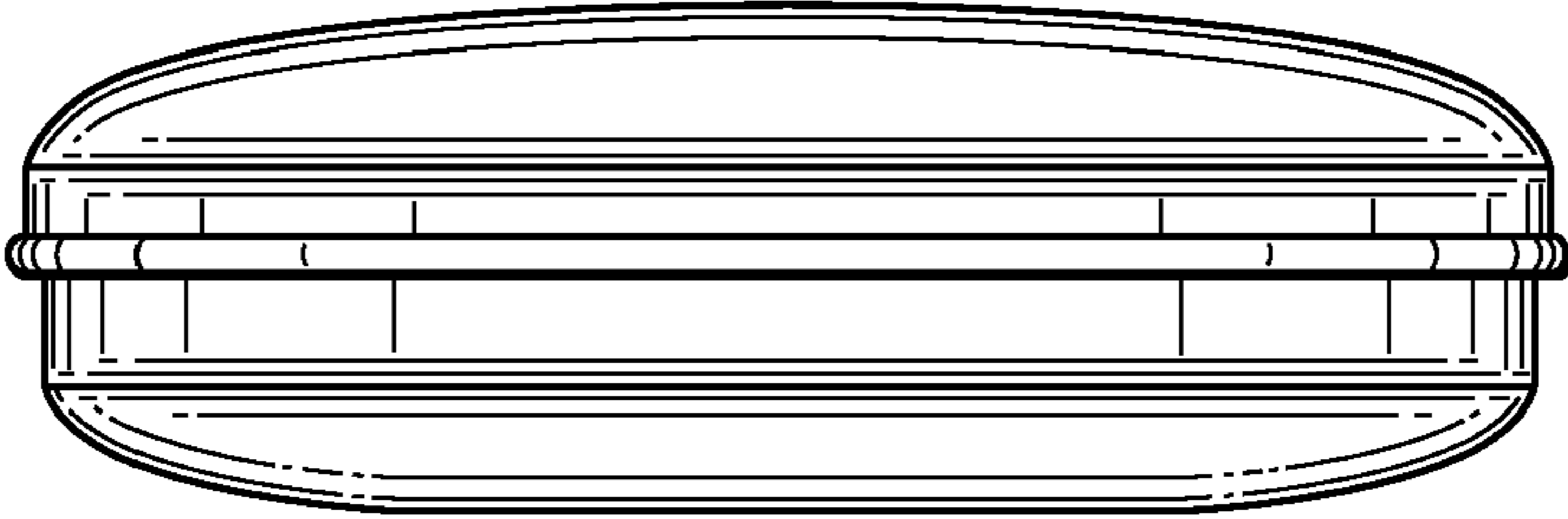


FIG. 7