



US00D630504S

(12) **United States Design Patent**  
**Scott et al.**

(10) **Patent No.:** **US D630,504 S**

(45) **Date of Patent:** **\*\* Jan. 11, 2011**

(54) **CONTAINER**

(75) Inventors: **Edward Sean Scott**, Auckland (NZ);  
**Stephane Grognat**, Eaubonne (FR)

(73) Assignee: **Tarvis Technology Limited**, Auckland  
(NZ)

(\*\*) Term: **14 Years**

(21) Appl. No.: **29/347,346**

(22) Filed: **Dec. 10, 2009**

(51) **LOC (9) Cl.** ..... **09-03**

(52) **U.S. Cl.** ..... **D9/425**

(58) **Field of Classification Search** ..... D9/414-432,  
D9/449, 456, 748, 762; D7/601, 602, 629;  
206/459.1, 484-484.2, 518, 524, 557; 220/287,  
220/556, 241-242, 780-781, 350; D3/312  
See application file for complete search history.

(56) **References Cited**

**U.S. PATENT DOCUMENTS**

- 3,180,555 A \* 4/1965 Barrett ..... 229/101
- 3,826,409 A \* 7/1974 Chilcoate ..... 222/107
- 4,394,906 A \* 7/1983 Hollenbeck ..... 206/525
- D275,886 S \* 10/1984 Sheward et al. .... D24/227

- 4,792,086 A \* 12/1988 Chen ..... 229/117
- D317,567 S \* 6/1991 Lane, Sr. .... D9/425
- D547,177 S \* 7/2007 Sherman et al. .... D9/425
- D561,020 S \* 2/2008 Kessell et al. .... D9/425
- D577,994 S \* 10/2008 Kessell et al. .... D9/425

\* cited by examiner

*Primary Examiner*—Daniel D Bui

*Assistant Examiner*—Thomas J Johannes

(74) *Attorney, Agent, or Firm*—Jacobson Holman PLLC

(57) **CLAIM**

The ornamental design for a container, as shown and described.

**DESCRIPTION**

FIG. 1 is a perspective view showing our new design for a container,

FIG. 2 is a front elevation view thereof, the rear elevation view being a mirror image thereof,

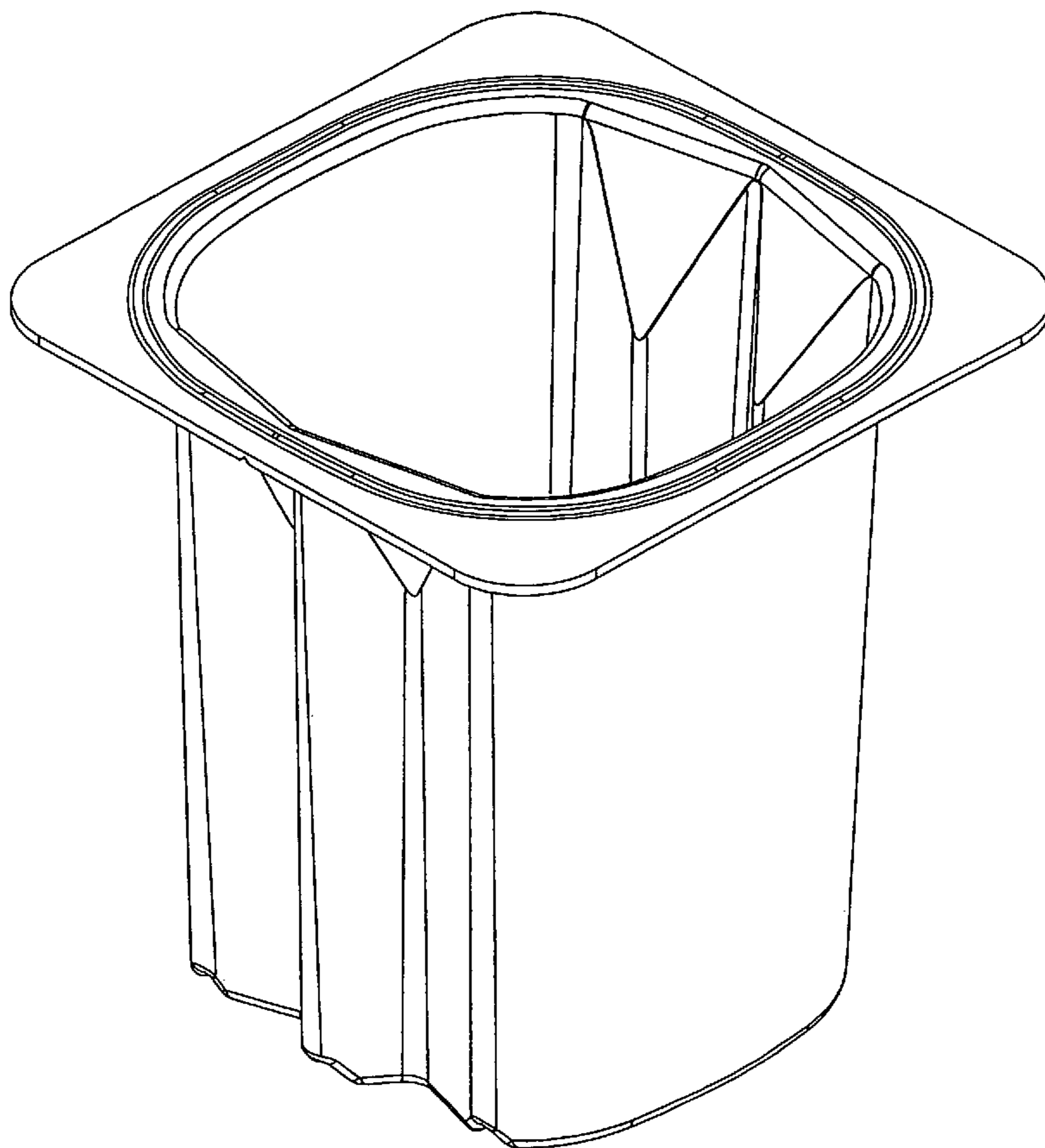
FIG. 3 is a side elevation view thereof,

FIG. 4 is an opposite side elevation view thereof,

FIG. 5 is a top plan view thereof; and,

FIG. 6 is a bottom plan view thereof.

**1 Claim, 6 Drawing Sheets**



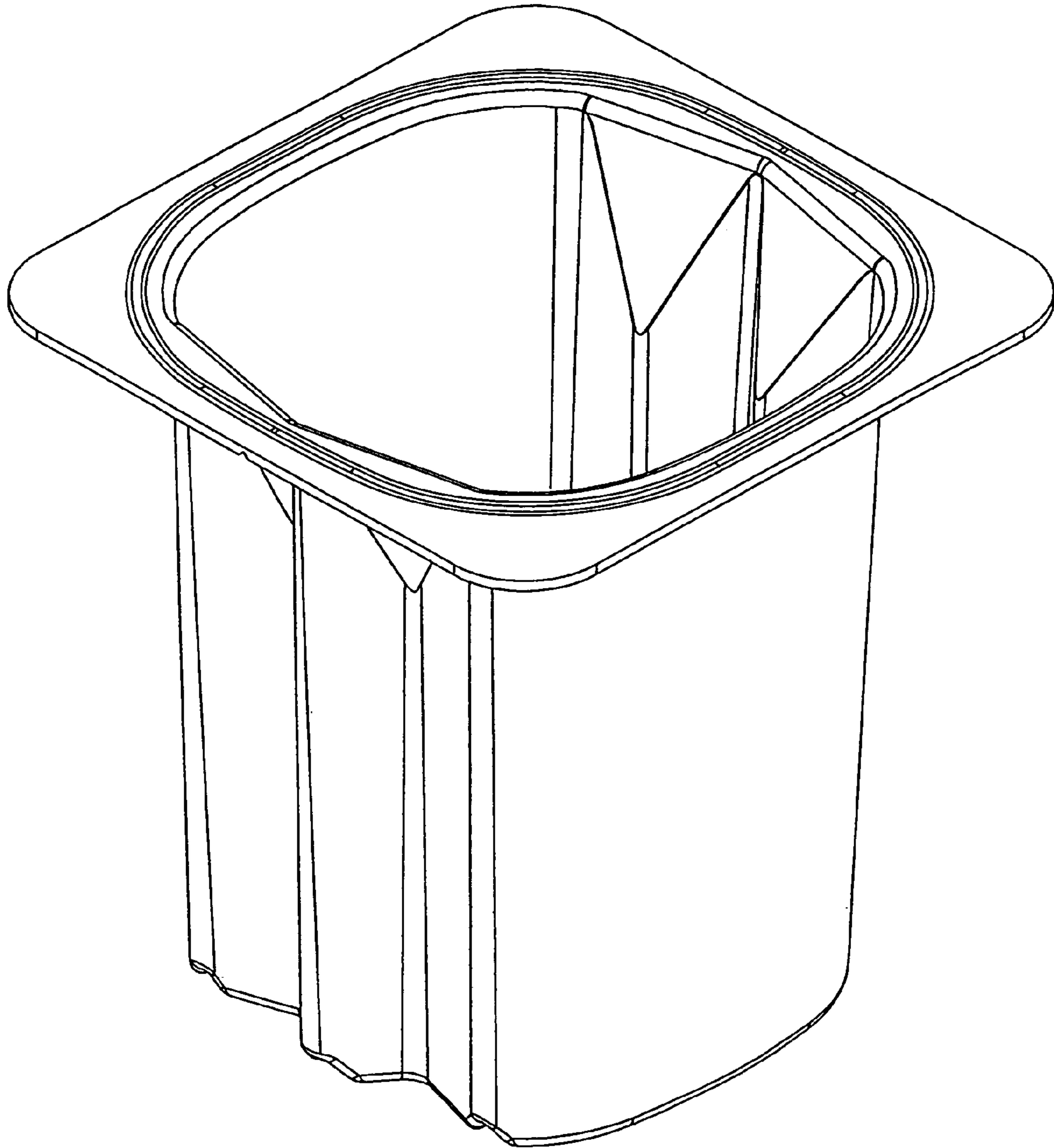


FIGURE 1

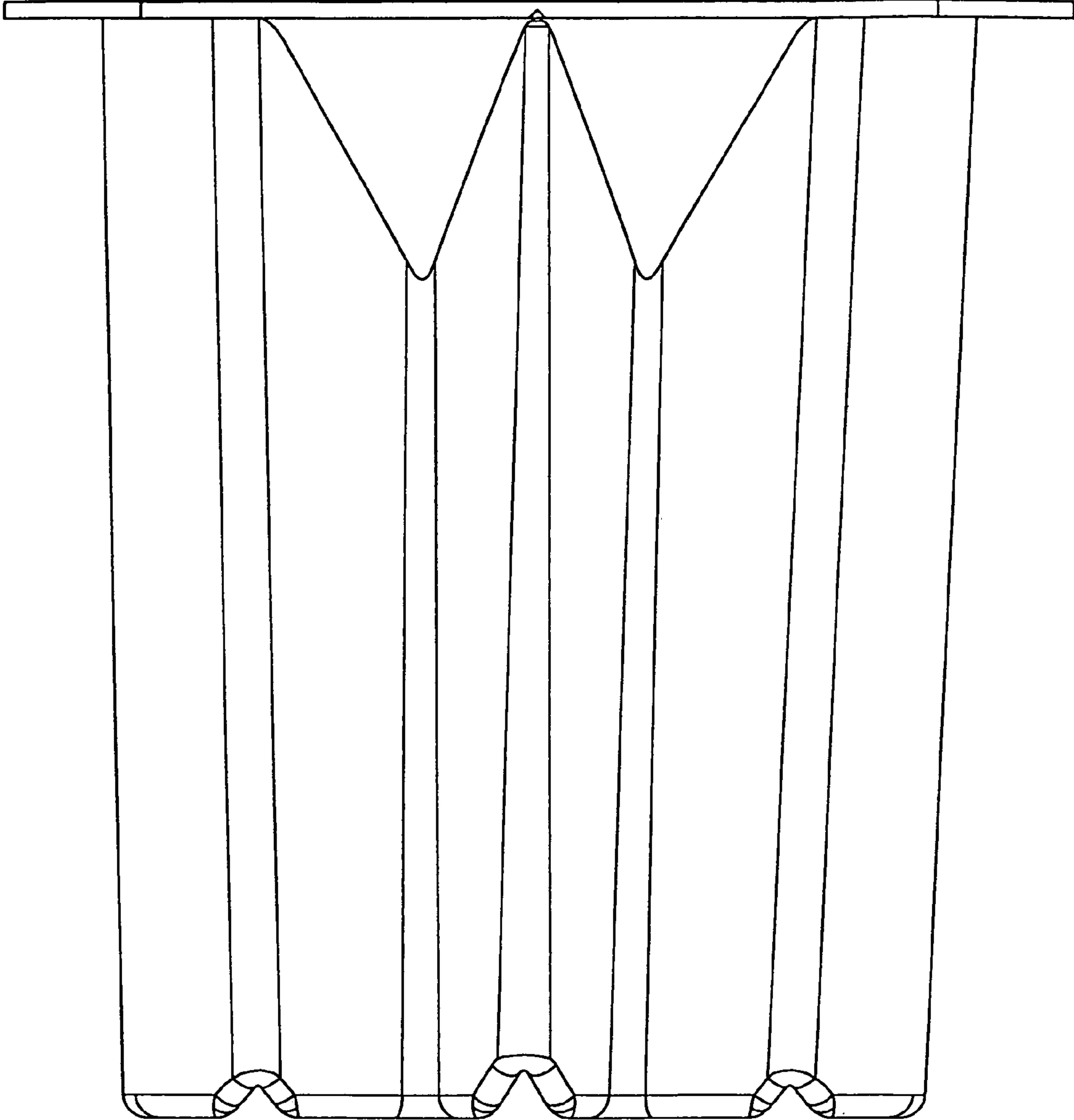


FIGURE 2

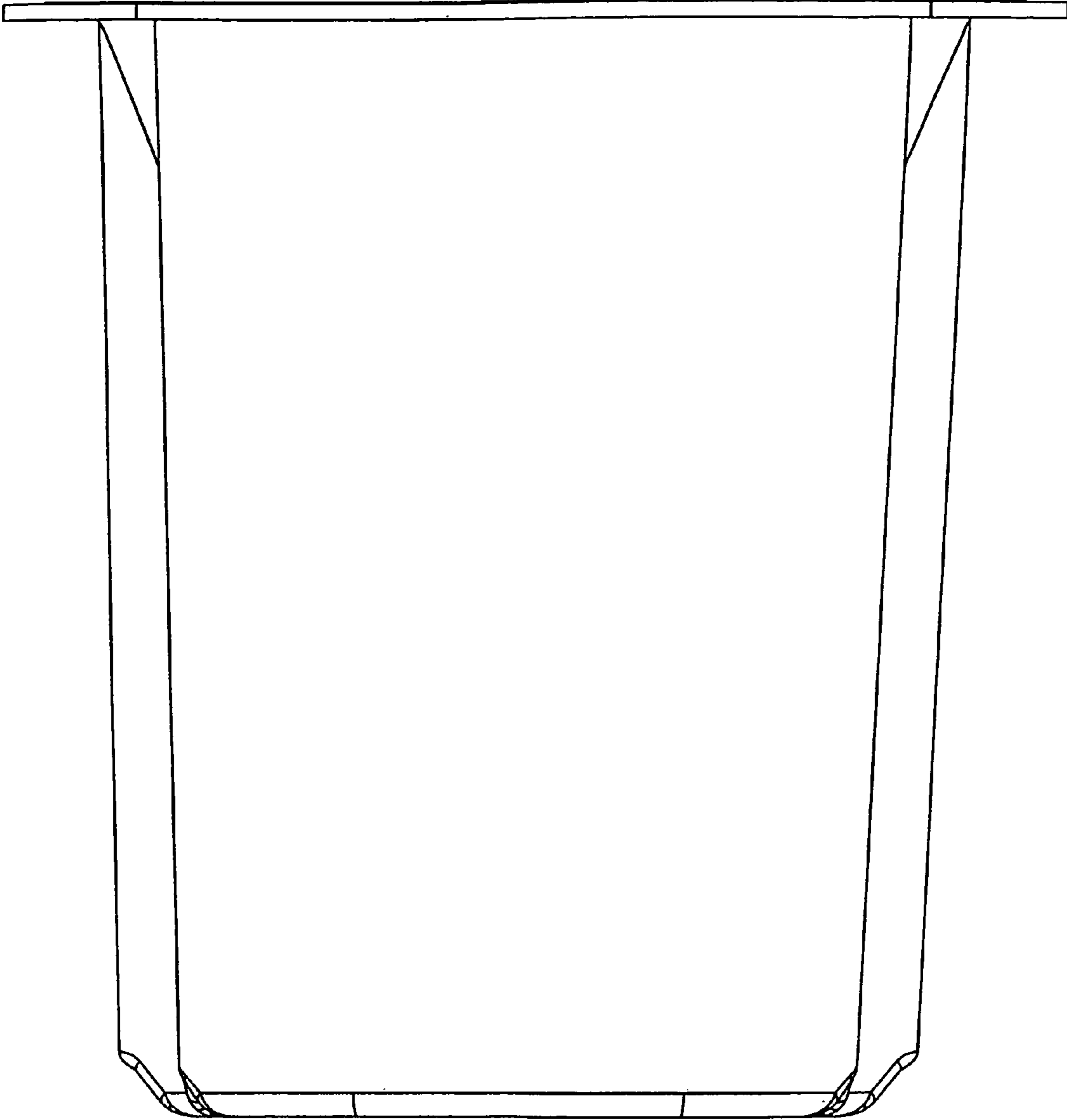


FIGURE 3

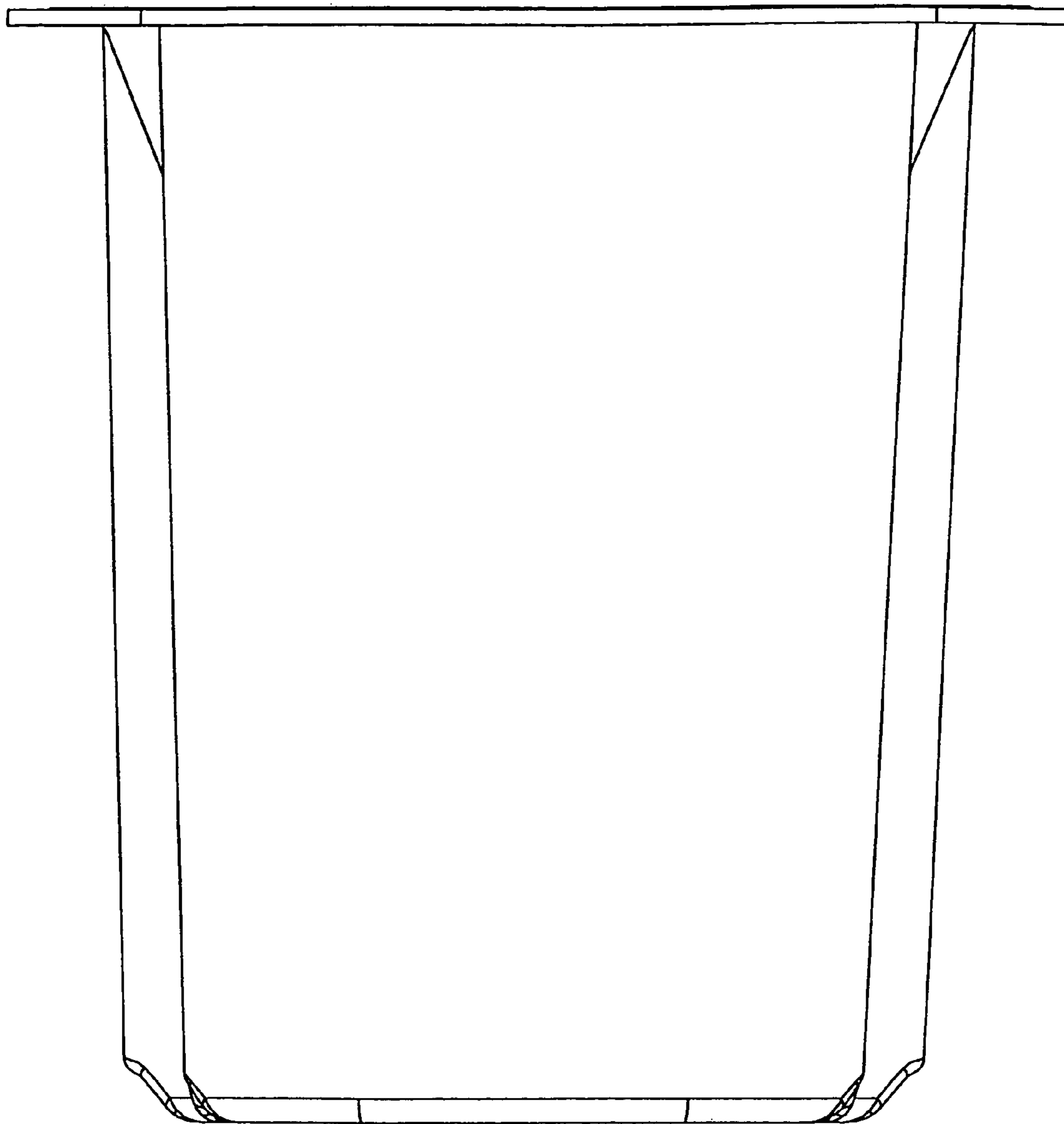


FIGURE 4

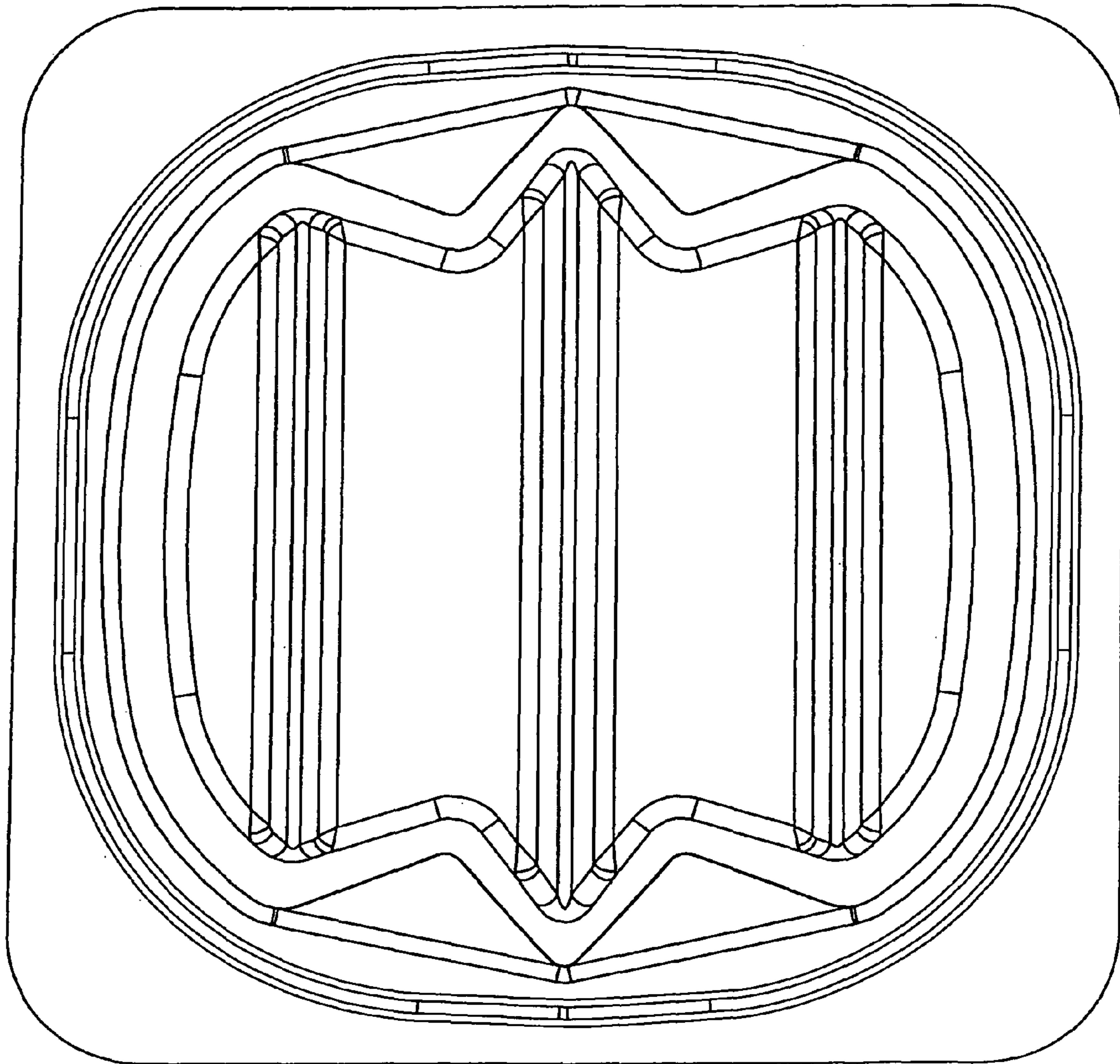


FIGURE 5



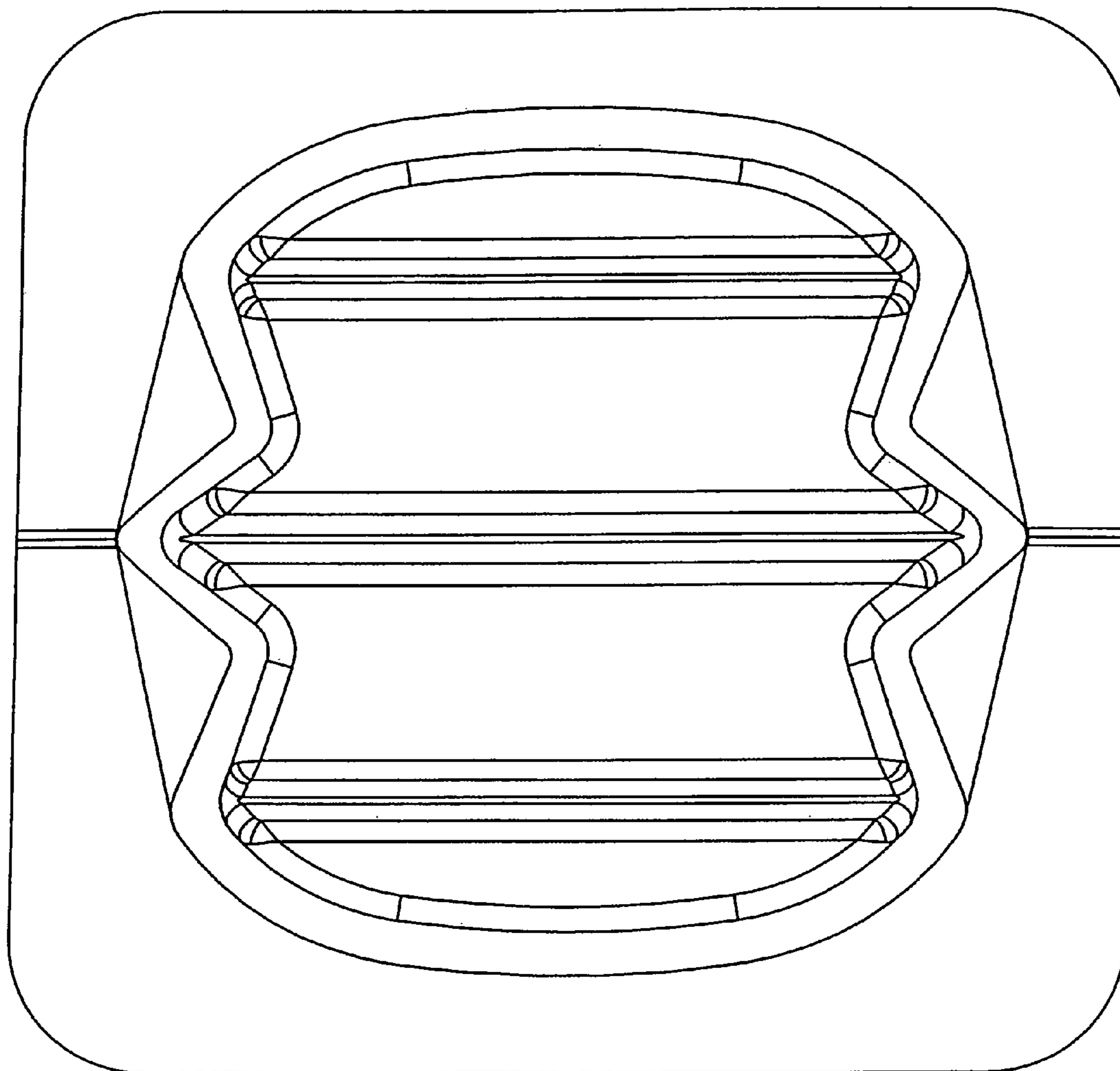


FIGURE 6