



US00D630499S

(12) **United States Design Patent**
Houghton

(10) **Patent No.:** **US D630,499 S**
(45) **Date of Patent:** **** Jan. 11, 2011**

(54) **WALL MOUNTING BRACKET FOR A
HAND-HELD VACUUM CLEANER**

D603,248 S * 11/2009 Bar-Erez D8/373
2004/0188470 A1 * 9/2004 Hill 222/192

(75) Inventor: **Stephen Houghton**, Newcastle upon
Tyne (GB)

* cited by examiner

Primary Examiner—Holly H Baynham

(73) Assignee: **Black & Decker Inc.**, Newark, DE (US)

(74) *Attorney, Agent, or Firm*—John Yun; Bruce S. Shapiro;
Stephen Valancius

(**) Term: **14 Years**

(57) **CLAIM**

(21) Appl. No.: **29/363,416**

The ornamental design for a wall mounting bracket for a
hand-held vacuum cleaner, as shown and described.

(22) Filed: **Jun. 9, 2010**

(30) **Foreign Application Priority Data**

DESCRIPTION

Dec. 14, 2009 (GB) 001184279

FIG. 1 is a perspective view of a wall mounting bracket for a
hand-held vacuum cleaner with showing my new design.

(51) **LOC (9) Cl.** **08-05**

FIG. 2 is a front view of the wall mounting bracket according
to FIG. 1.

(52) **U.S. Cl.** **D8/373**

(58) **Field of Classification Search** D8/354,
D8/363, 373; 248/309.1; D6/569

FIG. 3 is a rear view of the wall mounting bracket according
to FIG. 1.

See application file for complete search history.

FIG. 4 is a right side view of the wall mounting bracket
according to FIG. 1.

(56) **References Cited**

FIG. 5 is a left side view of the wall mounting bracket accord-
ing to FIG. 1.

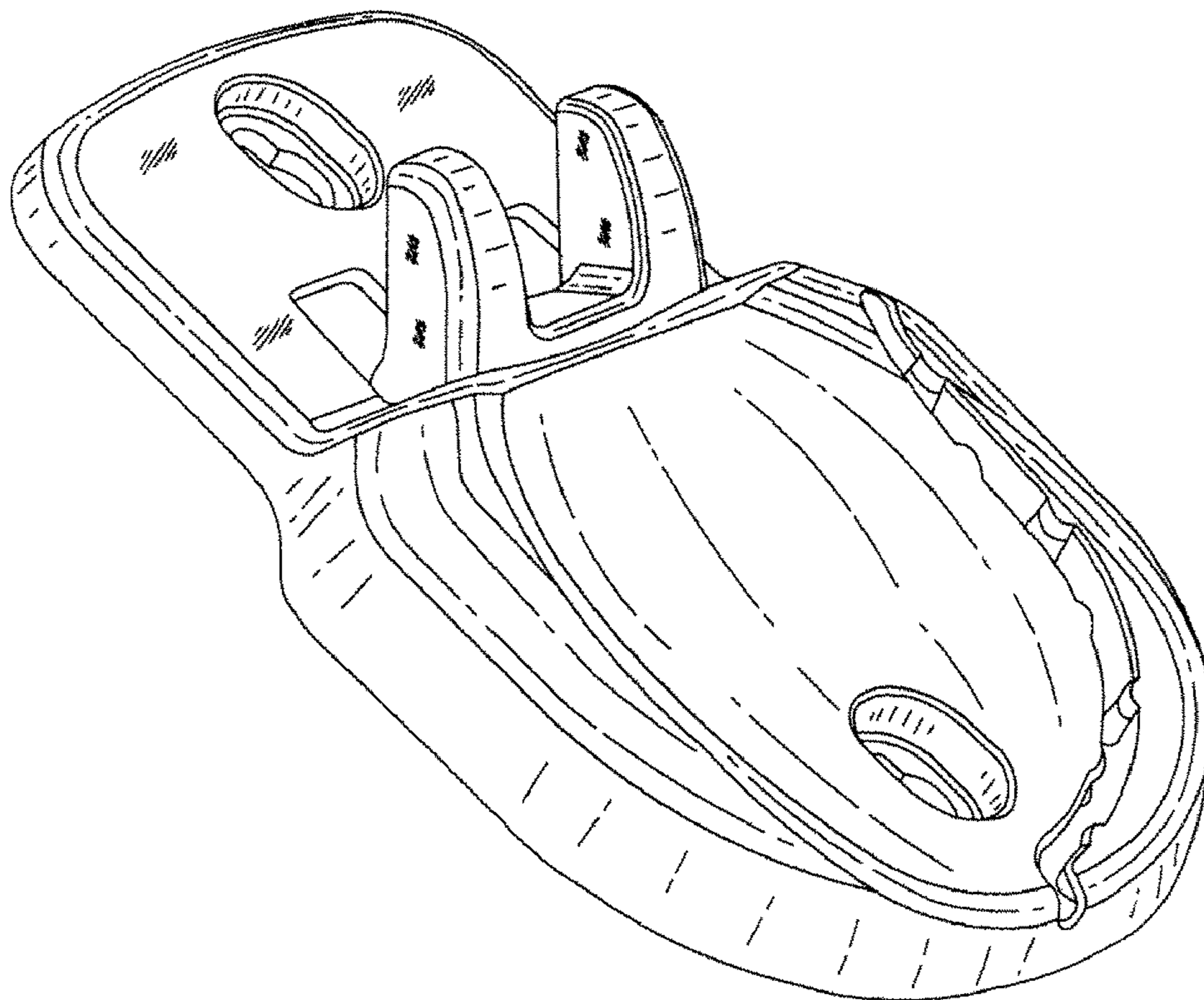
U.S. PATENT DOCUMENTS

D330,824 S * 11/1992 Kosten et al. D6/569
D372,189 S * 7/1996 Andis et al. D8/373
D425,908 S * 5/2000 Collins D14/253
D529,791 S * 10/2006 Kunesh D8/373
D551,063 S * 9/2007 Fraga D8/373
7,540,459 B2 * 6/2009 Asano et al. 248/309.1
D600,103 S * 9/2009 Fraga D8/373

FIG. 6 is a top view of the wall mounting bracket according to
FIG. 1; and,

FIG. 7 is a bottom view of the wall mounting bracket accord-
ing to FIG. 1.

1 Claim, 5 Drawing Sheets



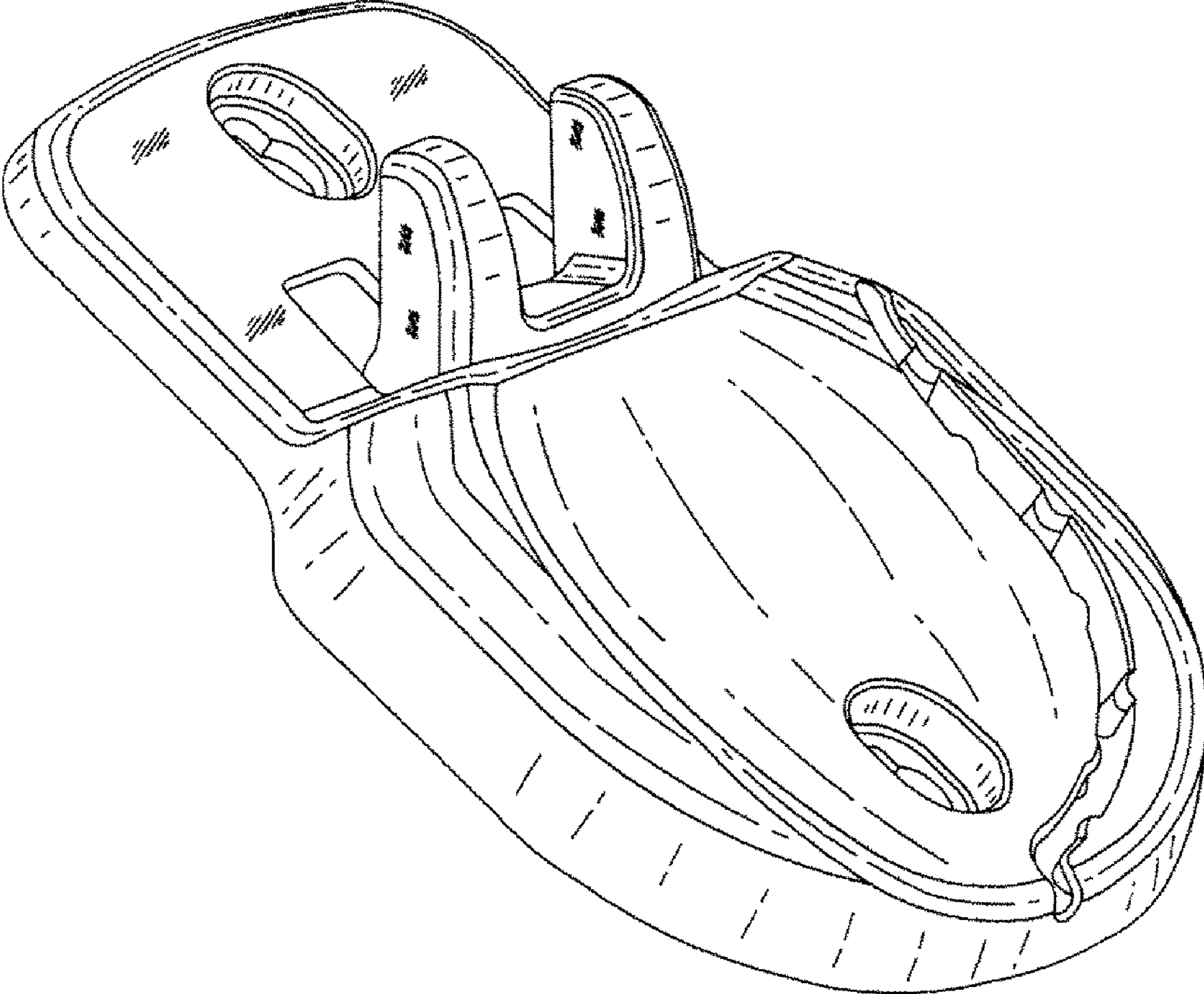


FIG. 1

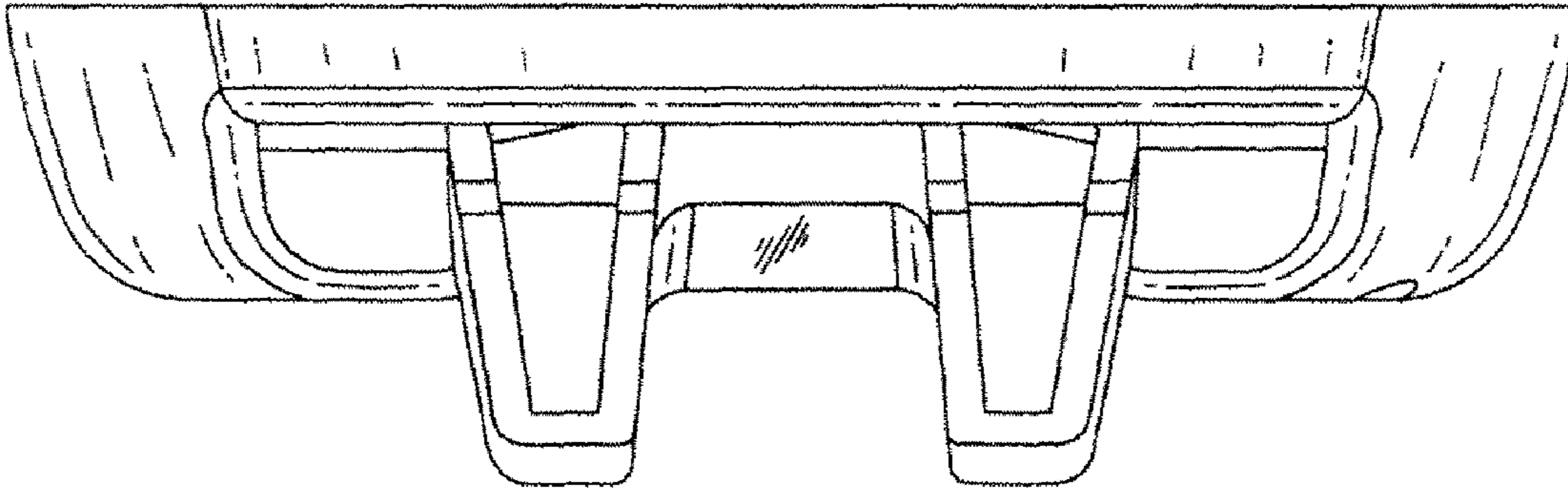


FIG. 2

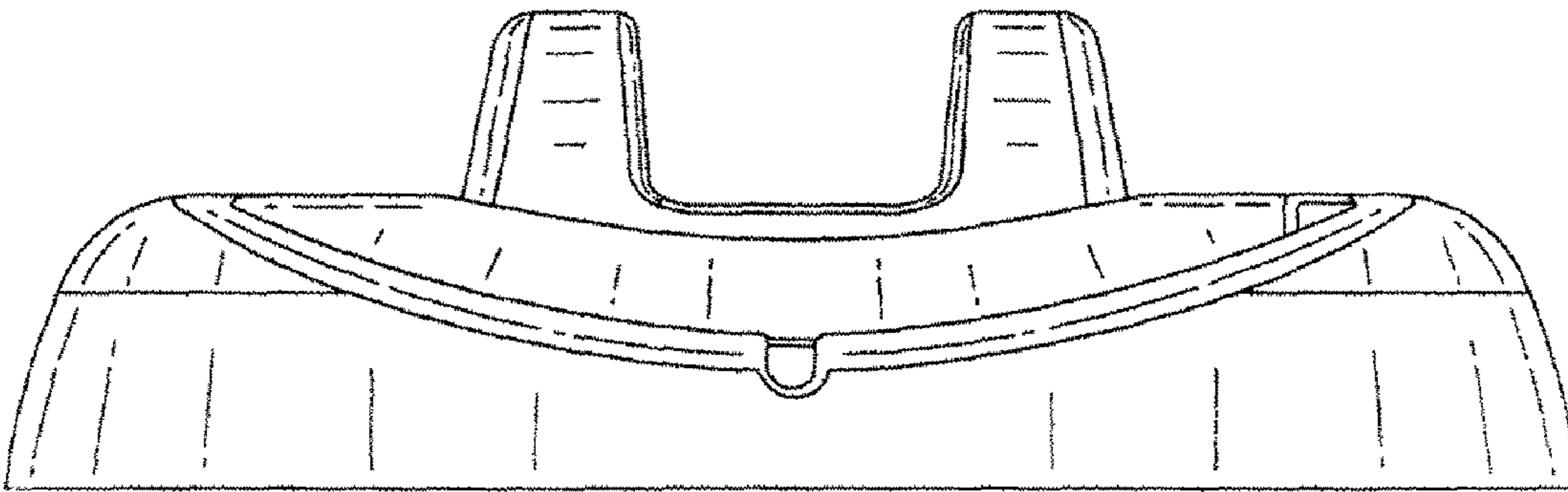


FIG. 3

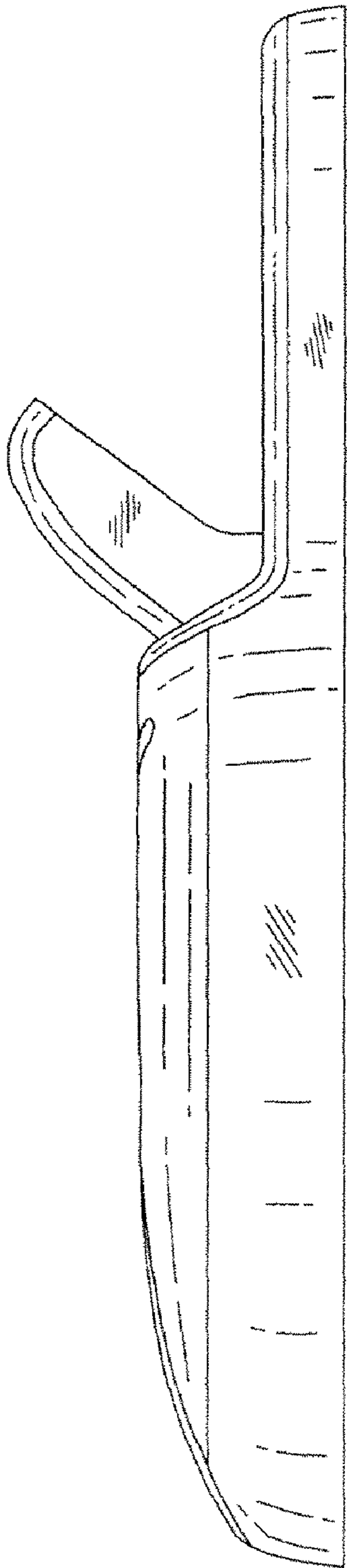


FIG. 4

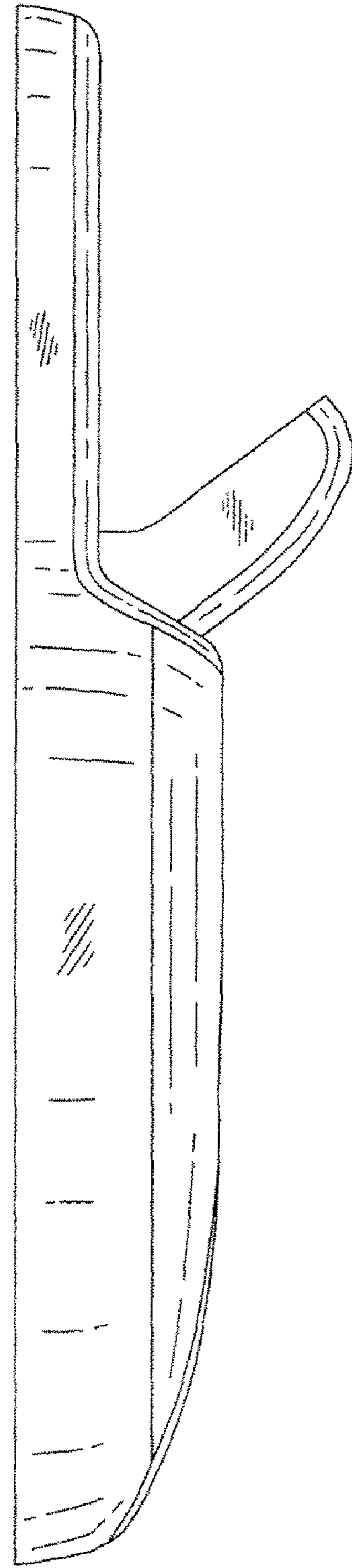


FIG. 5

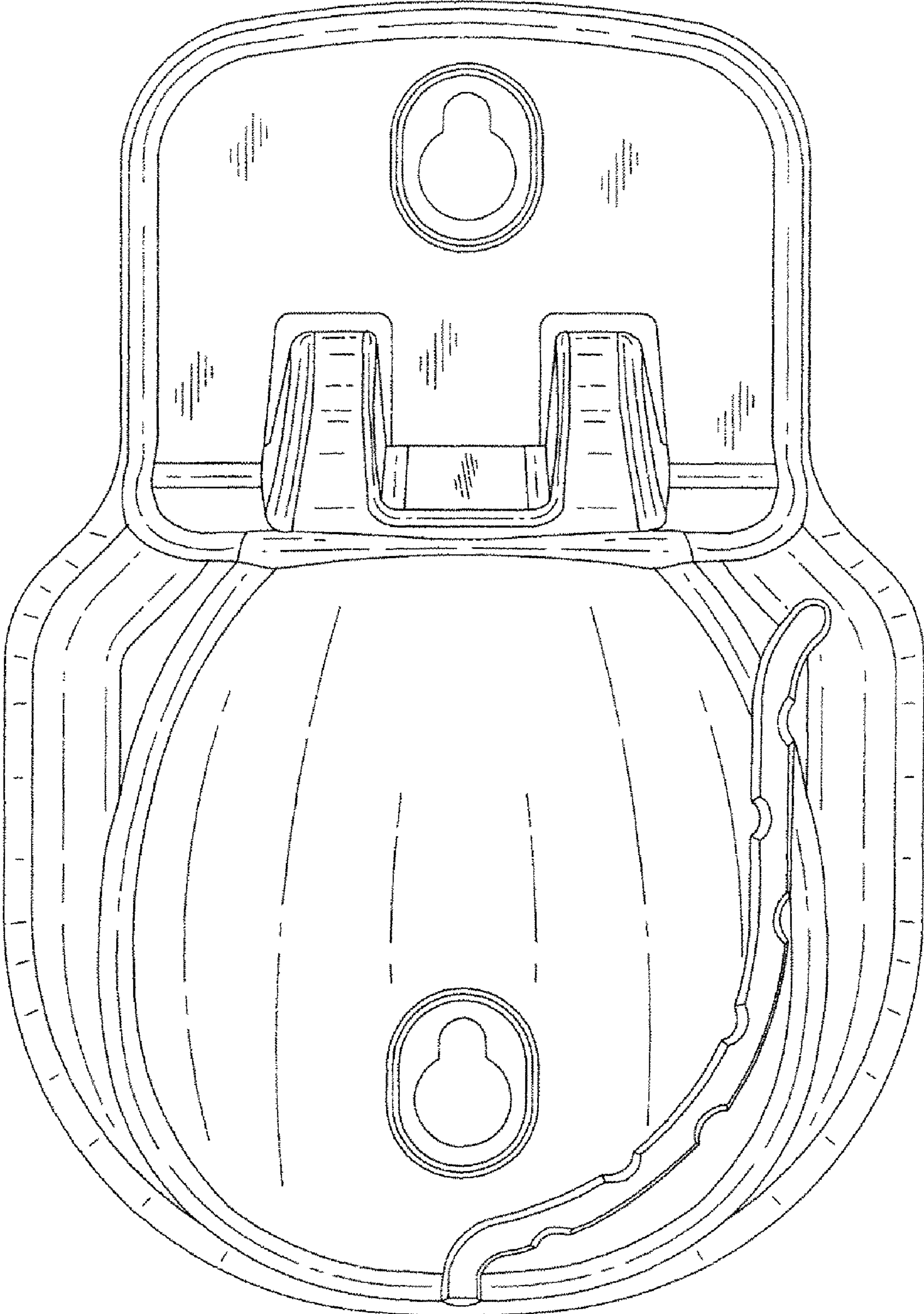


FIG.6

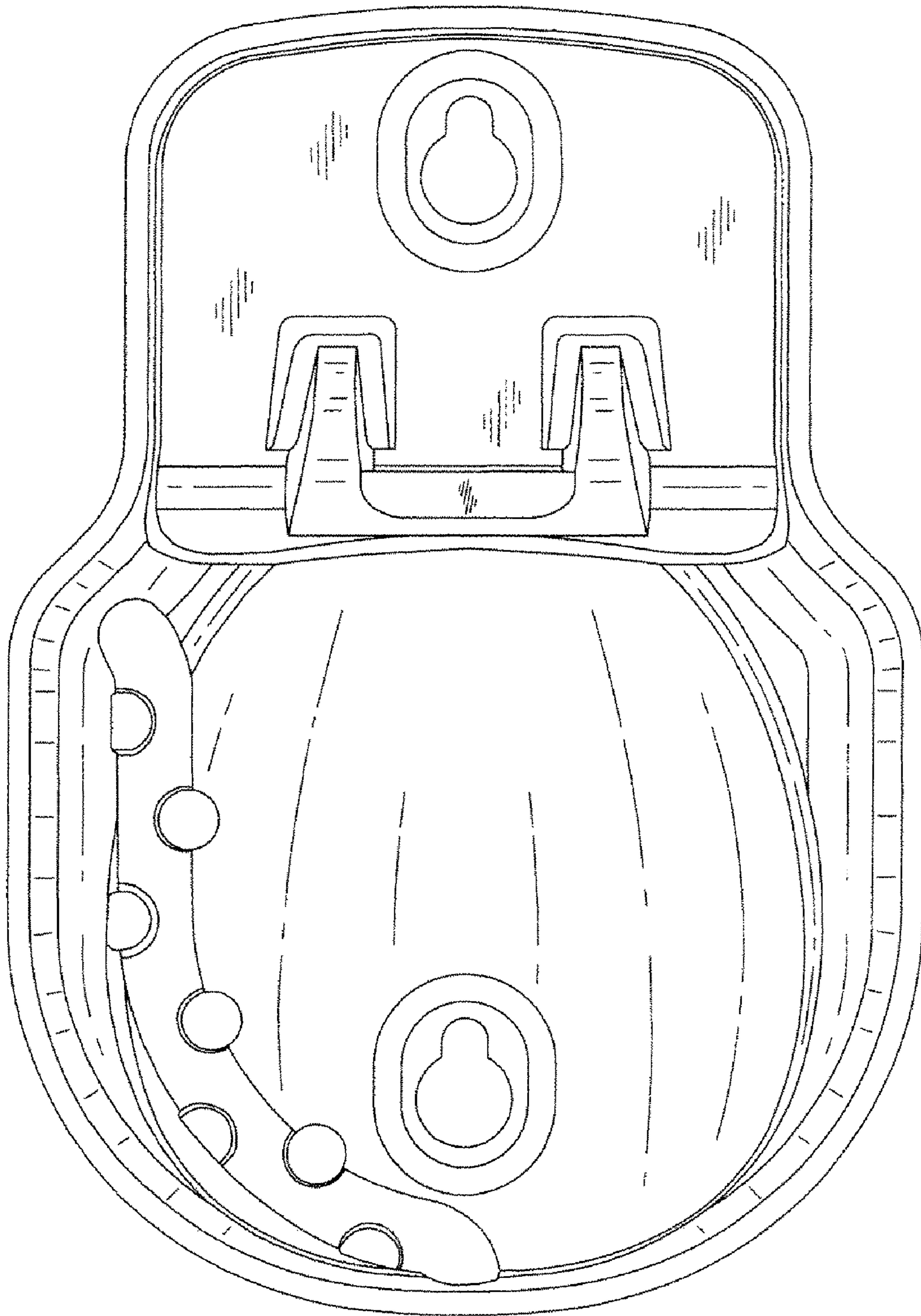


FIG.7