



US00D630495S

(12) **United States Design Patent**
Allina, Jr. et al.

(10) **Patent No.:** **US D630,495 S**
(45) **Date of Patent:** **** Jan. 11, 2011**

(54) **CLIP FOR CONNECTION TO A STAB
TERMINAL OF AN ELECTRICAL BUSS**

4,673,232 A * 6/1987 Kubota et al. 439/441
(Continued)

(75) Inventors: **Stanley F. Allina, Jr.**, North Palm
Beach, FL (US); **Larry G. Tinker**,
Tulsa, OK (US)

FOREIGN PATENT DOCUMENTS
EP 0203009 11/1986
Primary Examiner—Cynthia Underwood
(74) *Attorney, Agent, or Firm*—Greenberg Traurig, LLP

(73) Assignee: **Meter-Treater, Inc.**, Lake Park, FL (US)

(**) Term: **14 Years**

(57) **CLAIM**

(21) Appl. No.: **29/364,544**

The ornamental design for the clip for connection to a stab terminal of an electrical buss, as shown and described.

(22) Filed: **Jun. 24, 2010**

DESCRIPTION

Related U.S. Application Data

(63) Continuation-in-part of application No. 11/965,881,
filed on Dec. 28, 2007, now abandoned.

FIG. 1 is a perspective top view of the clip for connection to a stab terminal of an electrical buss, in accordance with our new design;

(51) **LOC (9) Cl.** **08-05**

(52) **U.S. Cl.** **D8/356**

(58) **Field of Classification Search** D8/356,
D8/349, 353, 354, 367, 371, 382, 499, 373;
D13/133; 439/436, 439, 883, 860, 441, 438,
439/246, 249, 76.2, 668, 857, 736, 225, 422,
439/492, 741, 861, 660; 200/284, 238, 237;
174/650, 1, 66

FIG. 2 is a top view of the clip for connection to a stab terminal of an electrical buss, in accordance with our new design;

See application file for complete search history.

FIG. 3 is a left side view of the clip for connection to a stab terminal of an electrical buss, in accordance with our new design;

(56) **References Cited**

U.S. PATENT DOCUMENTS

2,061,463 A * 11/1936 Hall 248/73
D163,469 S * 5/1951 Moody D8/383
3,357,665 A * 12/1967 Hand 248/74.1
3,609,634 A * 9/1971 Hovnanian et al. 439/510
3,665,373 A 5/1972 Voglesonger
D230,348 S * 2/1974 Sabel D8/371
3,845,456 A 10/1974 Michaels
4,056,299 A 11/1977 Paige

FIG. 4 is a front view of the clip for connection to a stab terminal of an electrical buss, in accordance with our new design;

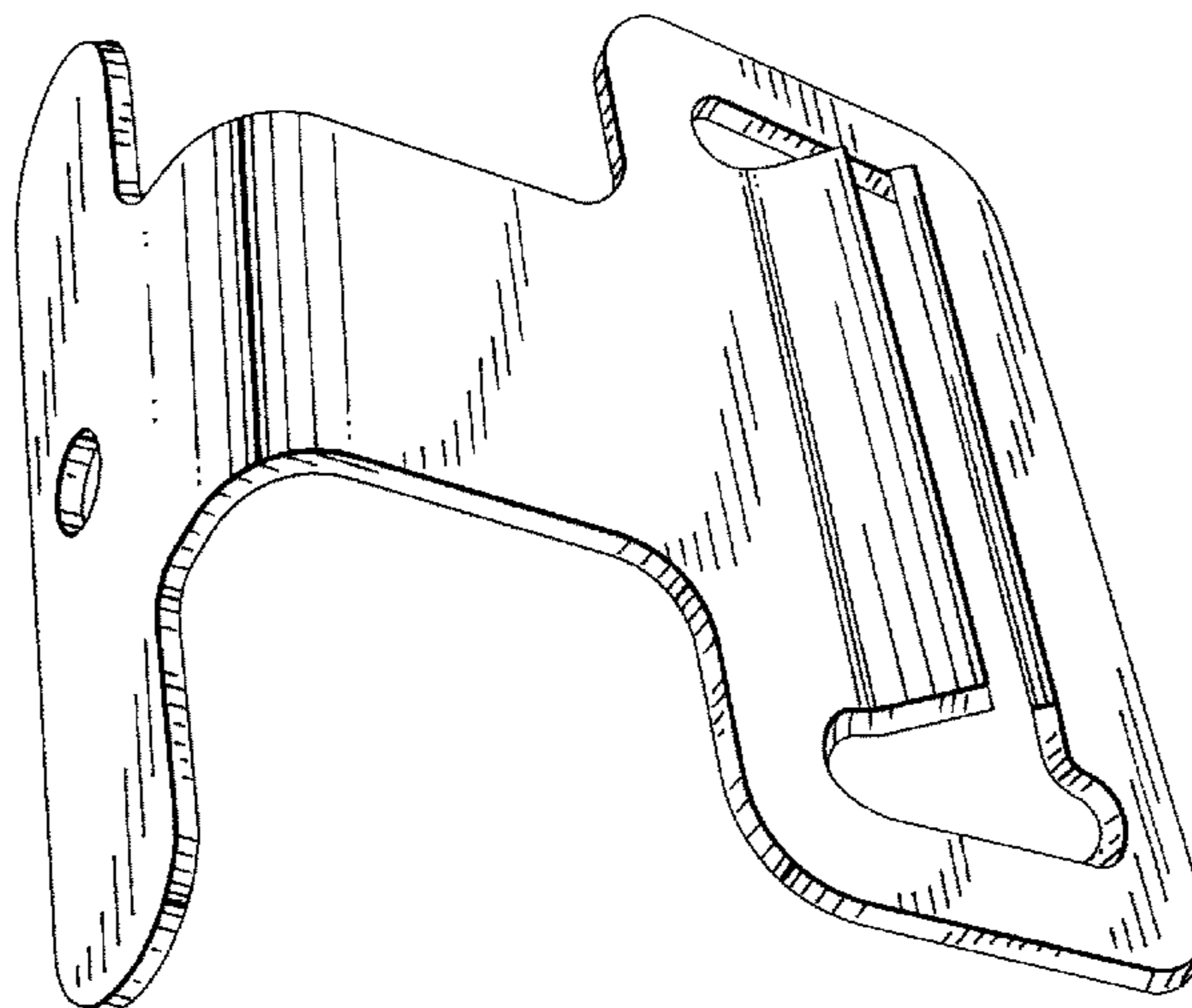
FIG. 5 is a rear view of the clip for connection to a stab terminal of an electrical buss, in accordance with our new design;

FIG. 6 is a bottom view of the clip for connection to a stab terminal of an electrical buss, in accordance with our new design; and,

FIG. 7 is a right side view of the clip for connection to a stab terminal of an electrical buss, in accordance with our new design.

The broken lines identify the subject matter that forms no part of the claimed design.

1 Claim, 2 Drawing Sheets



US D630,495 S

Page 2

U.S. PATENT DOCUMENTS

4,842,557	A *	6/1989	Muz	439/857	D511,960	S *	11/2005	Ogino	D8/354
5,082,463	A	1/1992	Saimoto		7,047,636	B2 *	5/2006	Onuma	29/844
5,415,563	A *	5/1995	Shan et al.	439/439	7,081,589	B1 *	7/2006	Advey et al.	174/78
5,707,243	A	1/1998	Endo et al.		7,131,857	B2 *	11/2006	Mueller	439/441
D442,471	S *	5/2001	Willett	D8/354	D546,366	S *	7/2007	Dittmer	D16/235
D459,306	S *	6/2002	Malin	D13/133	7,470,143	B2	12/2008	Osborn et al.	
6,527,571	B2	3/2003	Muta et al.		D621,693	S *	8/2010	Dong	D8/356
					2009/0170379	A1	7/2009	Allina, Jr. et al.	

* cited by examiner

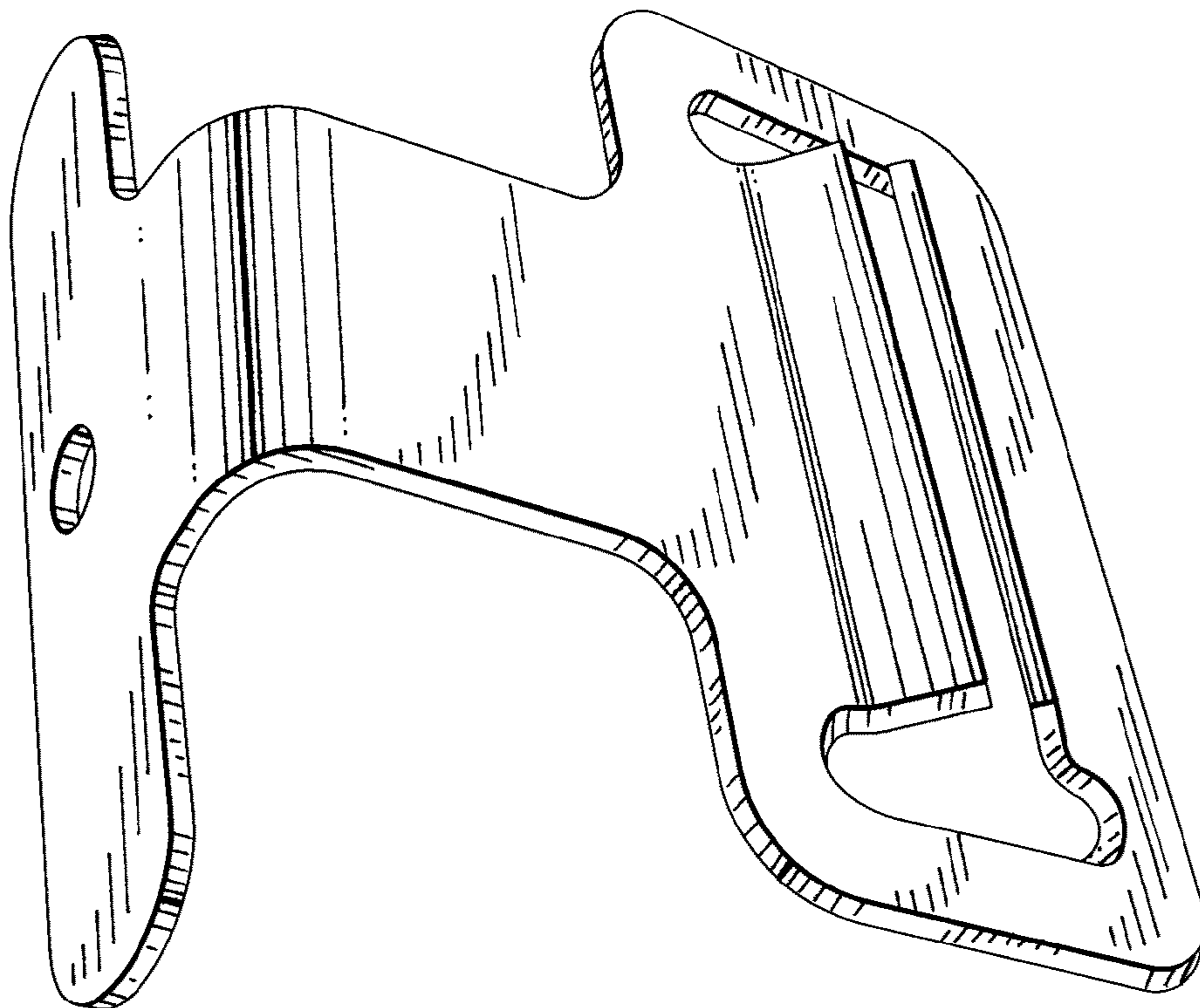


FIG. 1

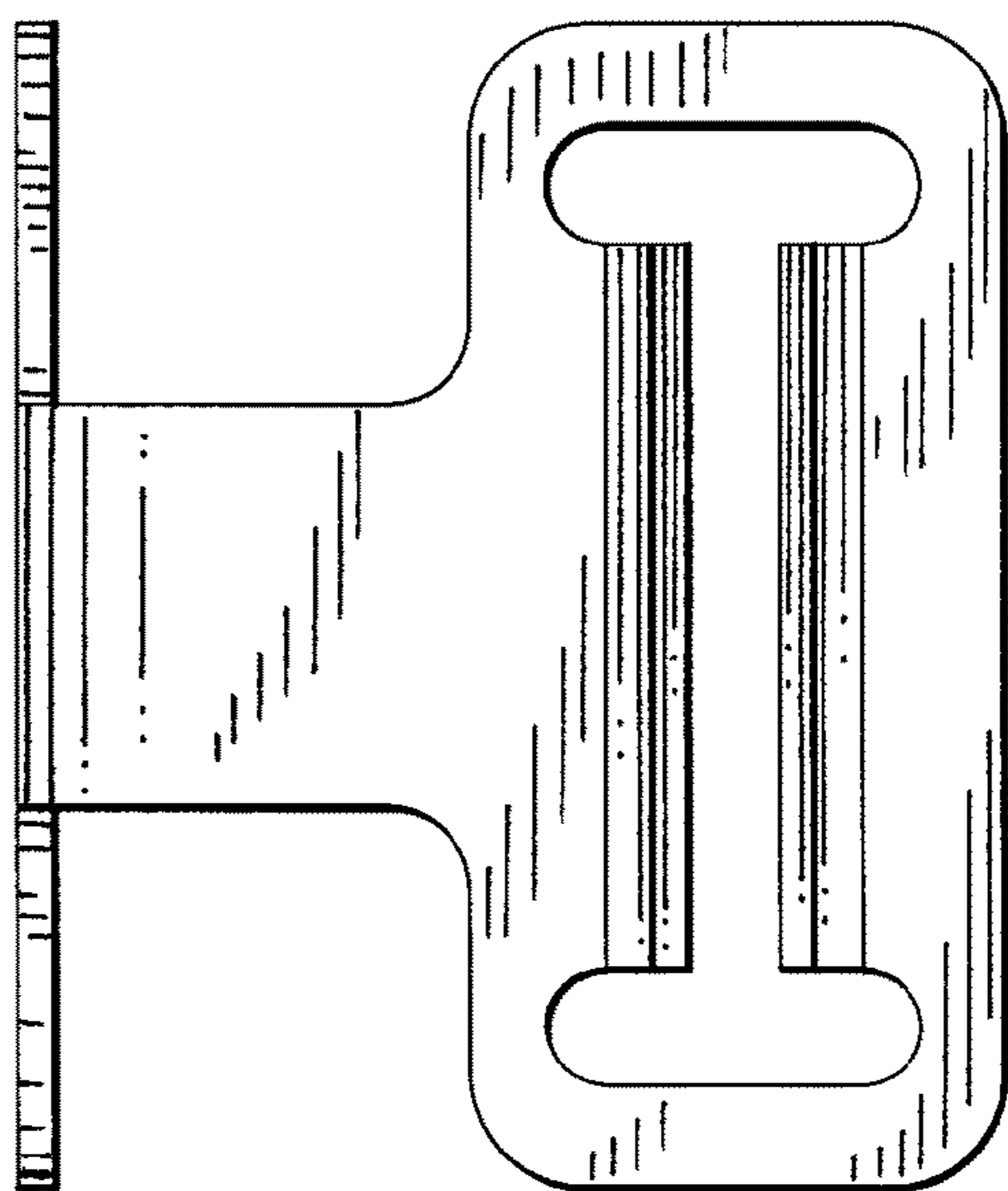


FIG. 2

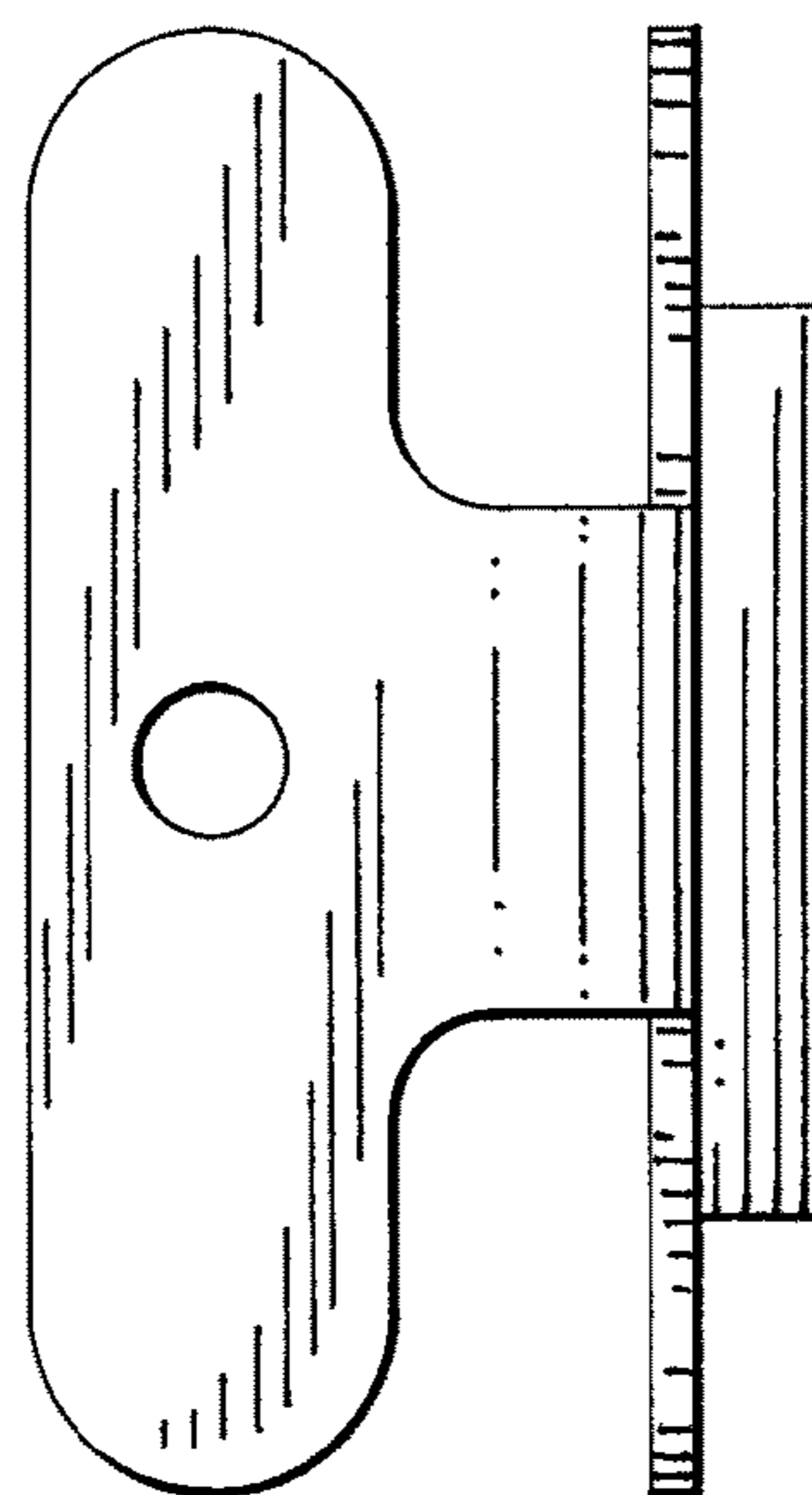


FIG. 3

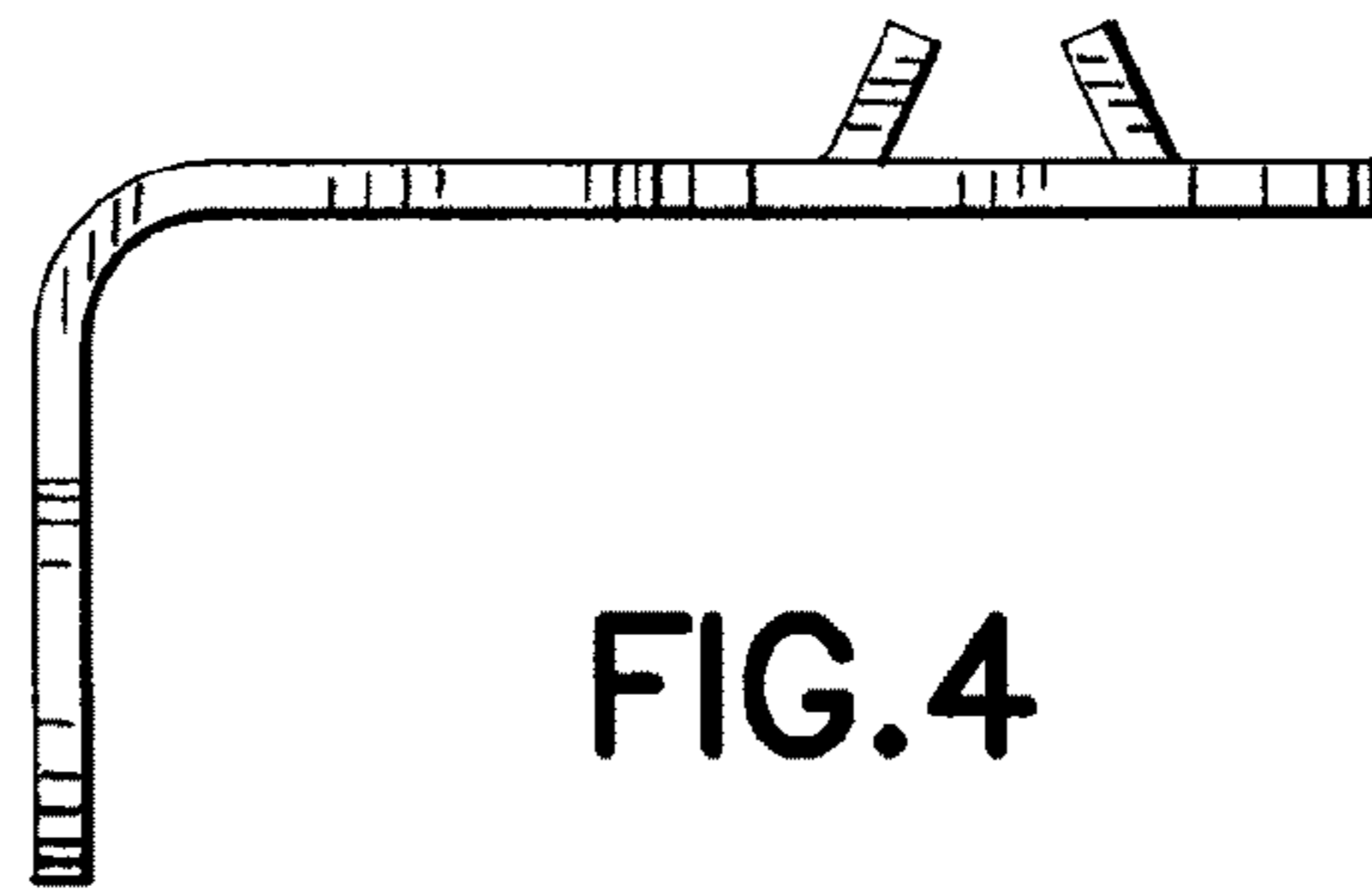


FIG. 4

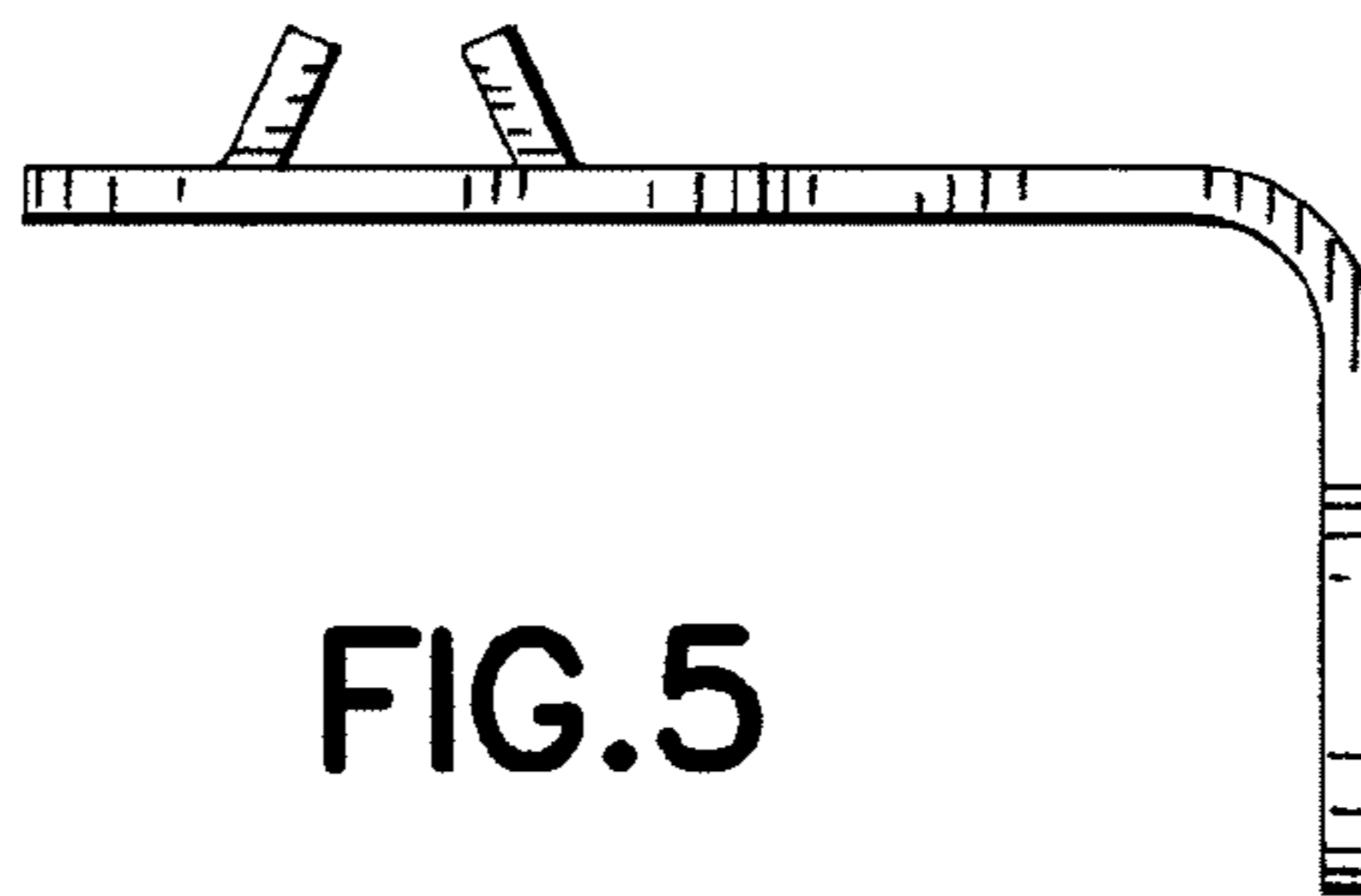


FIG. 5

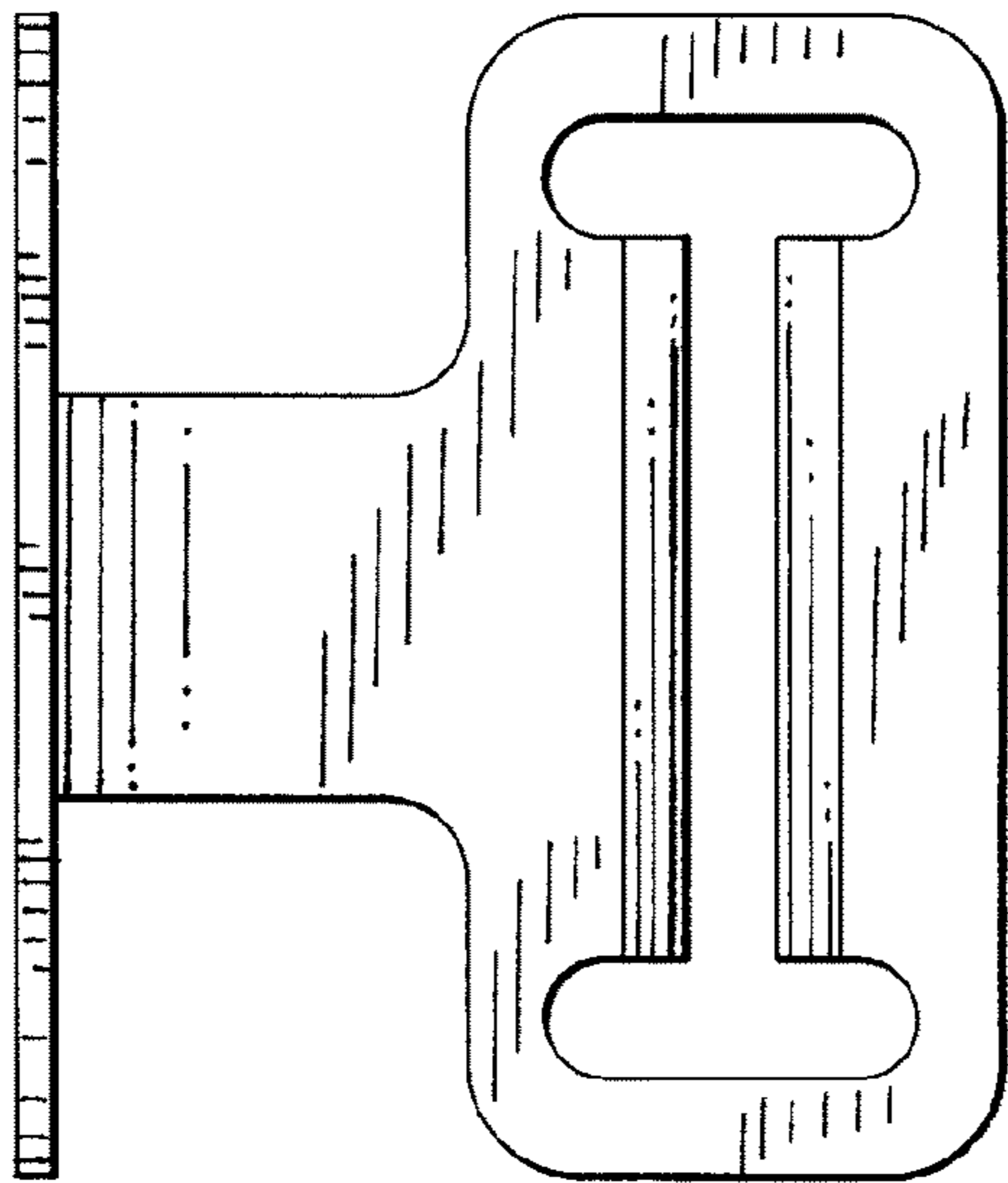


FIG. 6

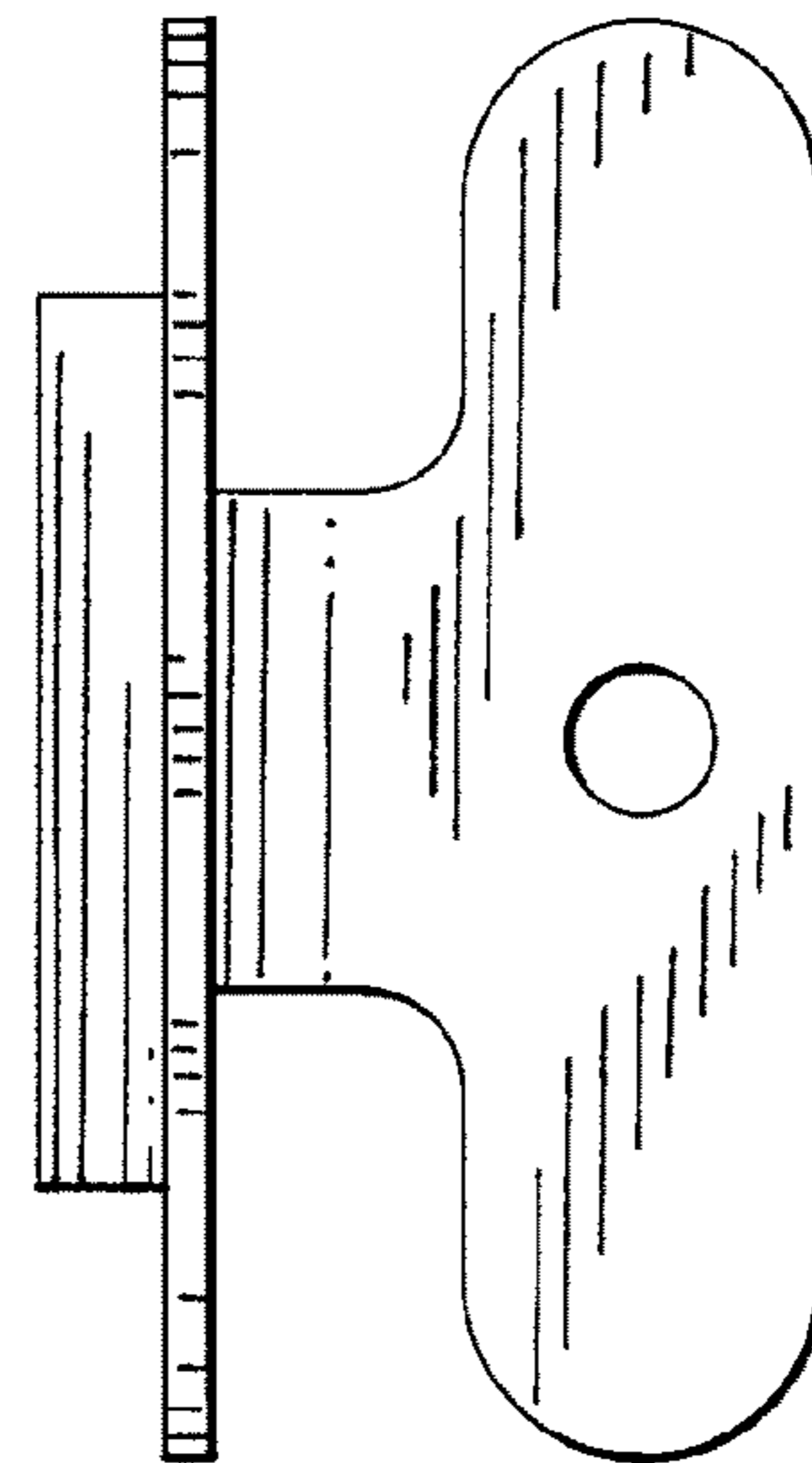


FIG. 7