



US00D630493S

(12) **United States Design Patent**
Chan

(10) **Patent No.:** **US D630,493 S**
(45) **Date of Patent:** **** Jan. 11, 2011**

(54) **ADJUSTING HOOK**

(75) Inventor: **Man Chan**, Tai Po (HK)

(73) Assignee: **NIFCO (HK) Ltd.**, Hong Kong (HK)

(**) Term: **14 Years**

(21) Appl. No.: **29/340,392**

(22) Filed: **Jul. 17, 2009**

(30) **Foreign Application Priority Data**

Jan. 22, 2009 (CN) 2009 3 0001776

(51) **LOC (9) Cl.** **08-06**

(52) **U.S. Cl.** **D8/356**

(58) **Field of Classification Search** D8/105,
D8/107, 333, 349, 354, 356, 358, 360, 360.1,
D8/367, 372, 373, 382, 383, 394-396, 400;
D13/133, 139.1, 139.4, 153, 154, 155; 24/18,
24/20 W, 23 W, 115 R, 197, 561, 573.11,
24/581.12, 582.13, 583.1; 52/220.7; 174/66,
174/135, 153 G, 650, 656; 242/400.1, 405.1,
242/405.2, 600, 603; 248/65, 74.1-74.4,
248/75, 201, 214, 215, 229.26; 439/92-108,
439/421, 501, 535; 600/585

See application file for complete search history.

(56) **References Cited**

U.S. PATENT DOCUMENTS

766,870	A *	8/1904	Birney	24/561
1,127,074	A *	2/1915	Moulton	24/543
1,442,447	A *	1/1923	Ruskin	24/561
1,622,632	A *	3/1927	Fahnestock	439/828
1,675,806	A *	7/1928	Holden	24/561
1,751,198	A *	3/1930	Franck	248/308
2,061,463	A *	11/1936	Hall	248/73
2,172,302	A *	9/1939	Tinnerman	24/581.1

2,586,740	A *	2/1952	Swanson	224/667
3,391,244	A *	7/1968	Moll	174/40 R
3,399,433	A *	9/1968	Faulkner	403/211
3,491,971	A *	1/1970	Fisher	248/65
4,572,546	A *	2/1986	Morrison	281/42
5,086,662	A *	2/1992	Tayon et al.	74/501.5 R
5,236,025	A *	8/1993	Maresh	152/219
D372,462	S *	8/1996	Shimirak et al.	D13/160
5,860,191	A *	1/1999	Sieger	24/3.3
6,101,689	A *	8/2000	Jo	24/338
D543,192	S *	5/2007	Jung	D14/138 R
D580,988	S *	11/2008	Regala	D19/81
2006/0196995	A1 *	9/2006	Mori et al.	248/74.2
2009/0277987	A1 *	11/2009	Chan	242/410

* cited by examiner

Primary Examiner—Robert M Spear

Assistant Examiner—Karen Acker

(74) *Attorney, Agent, or Firm*—Saidman DesignLaw Group

(57) **CLAIM**

The ornamental design for an adjusting hook, as shown and described.

DESCRIPTION

FIG. 1 is a front view of an adjusting hook showing my new design;

FIG. 2 is a rear view thereof;

FIG. 3 is a top view thereof;

FIG. 4 is a bottom view thereof;

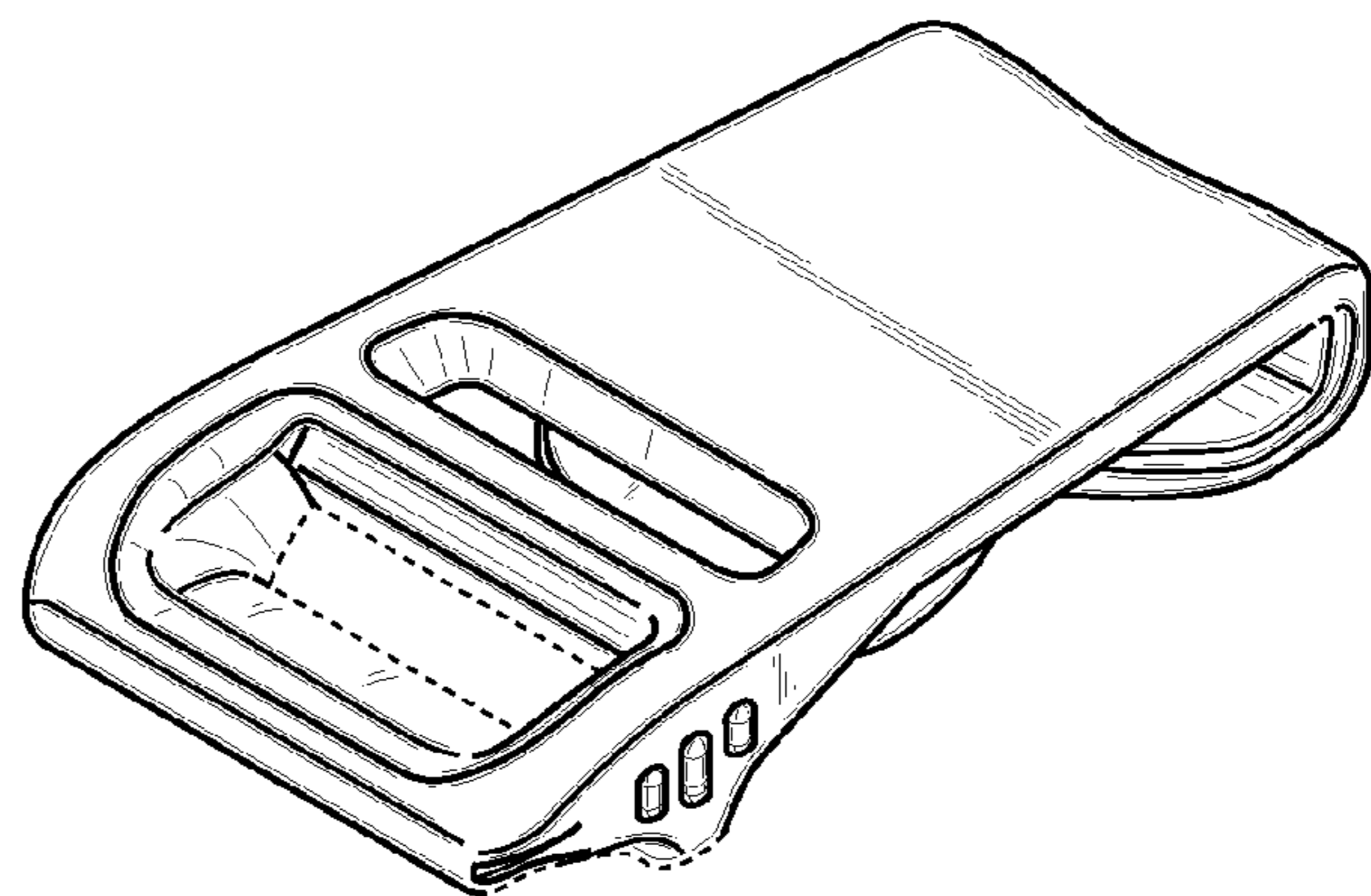
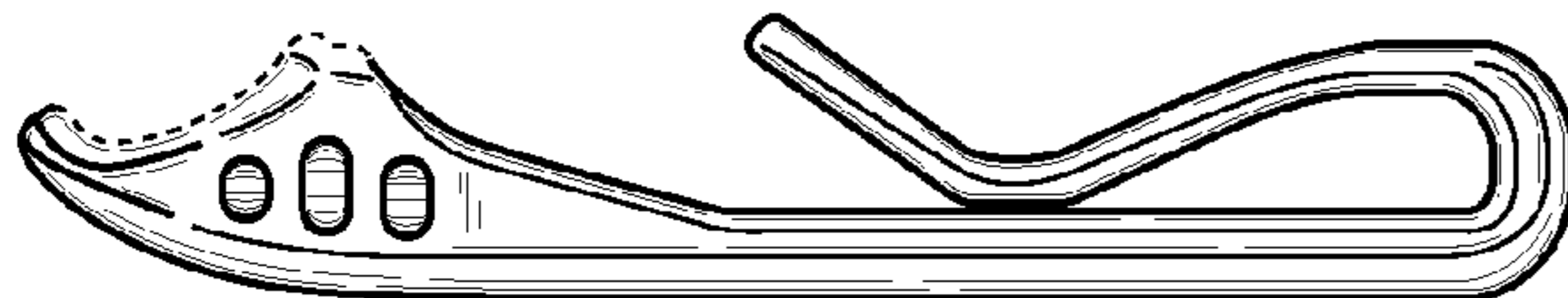
FIG. 5 is a left-side view thereof;

FIG. 6 is a right-side view thereof; and,

FIG. 7 is a perspective view thereof.

The broken lines are for the purpose of illustrating portions of the adjusting hook and form no part of the claimed design.

1 Claim, 3 Drawing Sheets



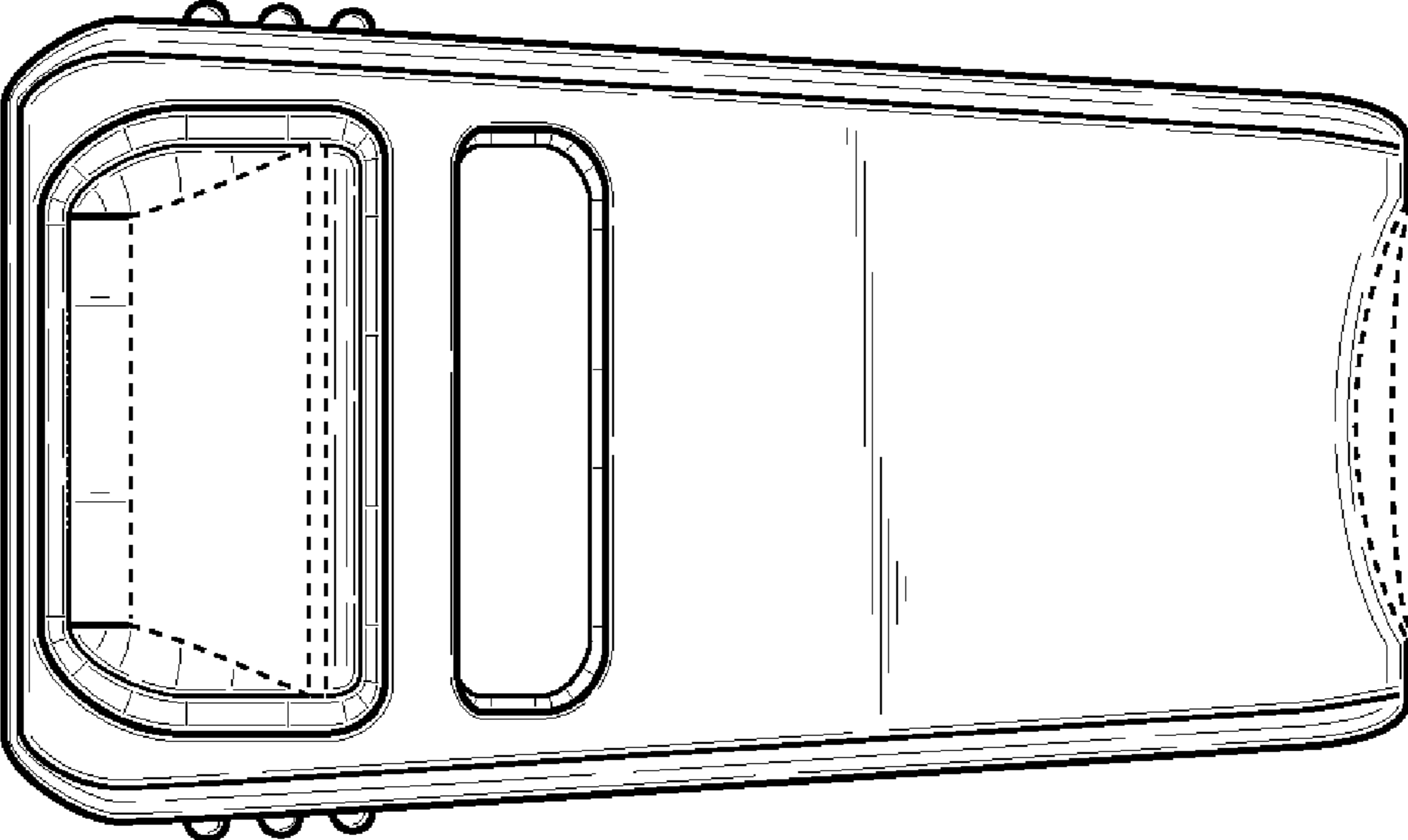


Fig. 1

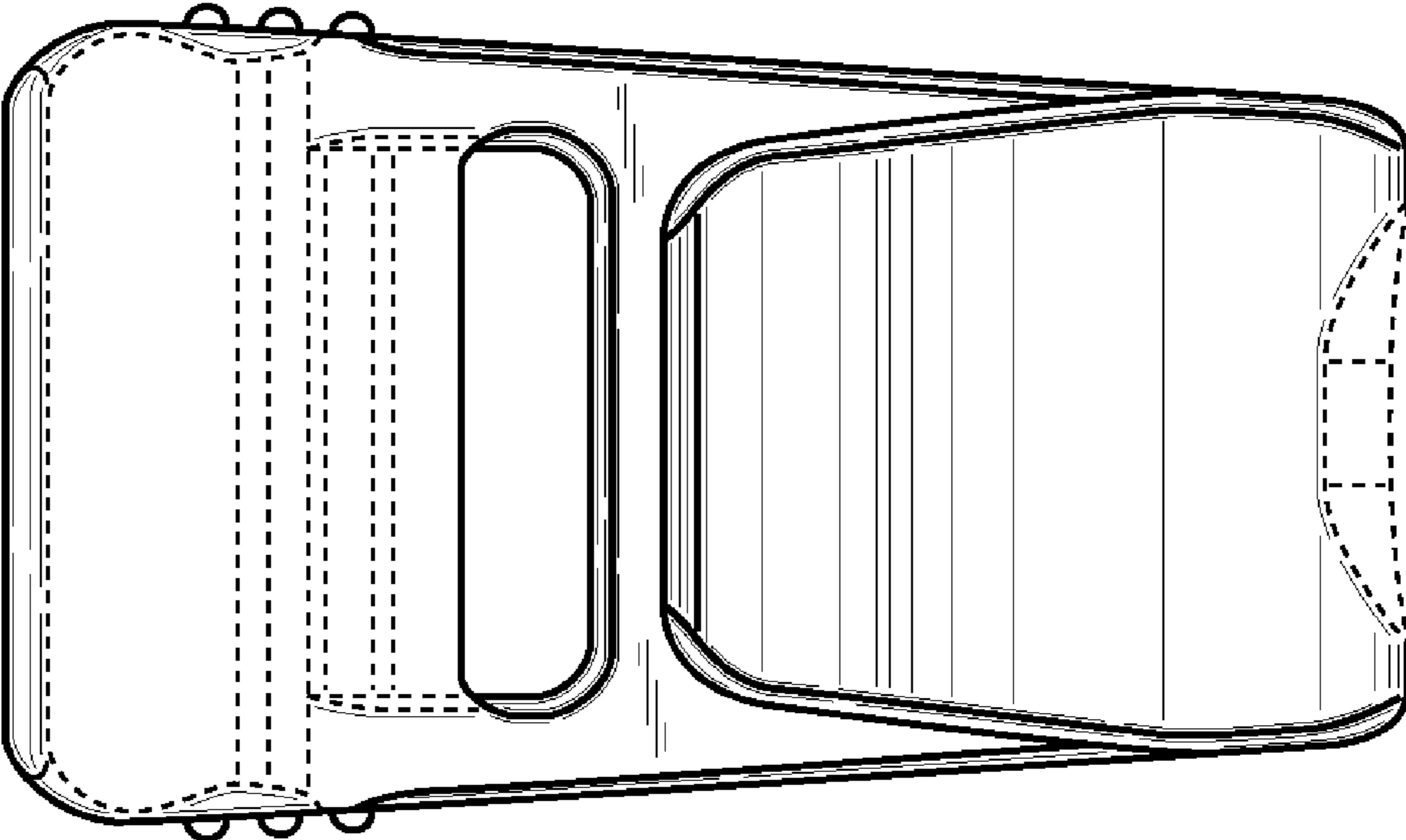


Fig. 2

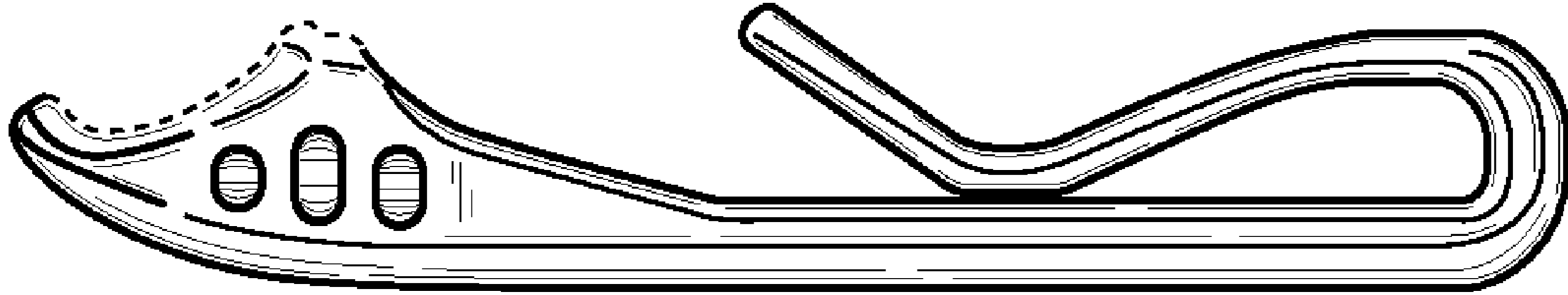


Fig. 3

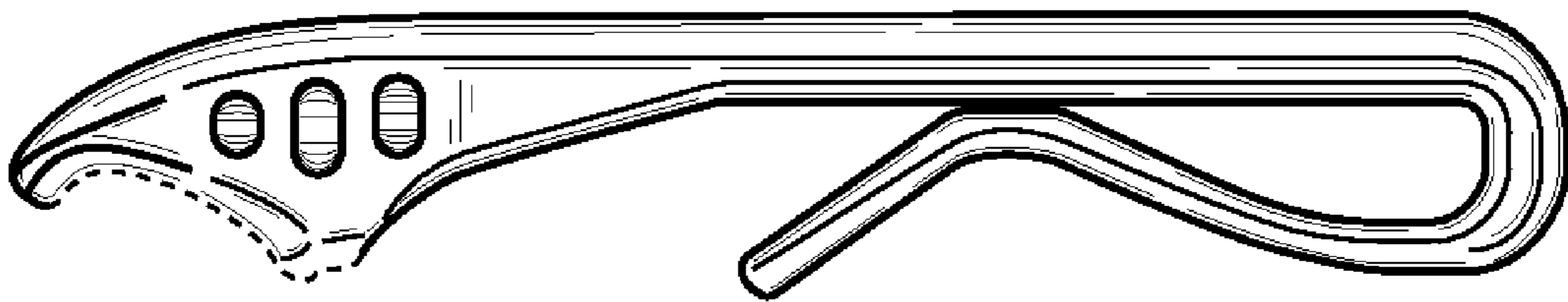


Fig. 4

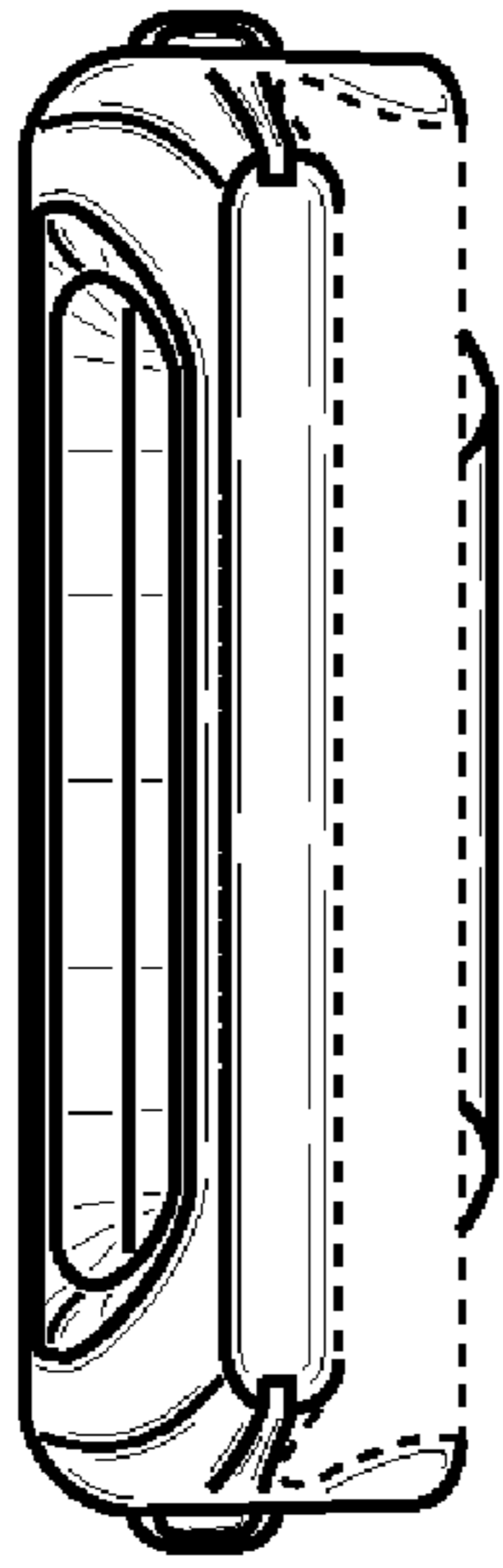


Fig. 5

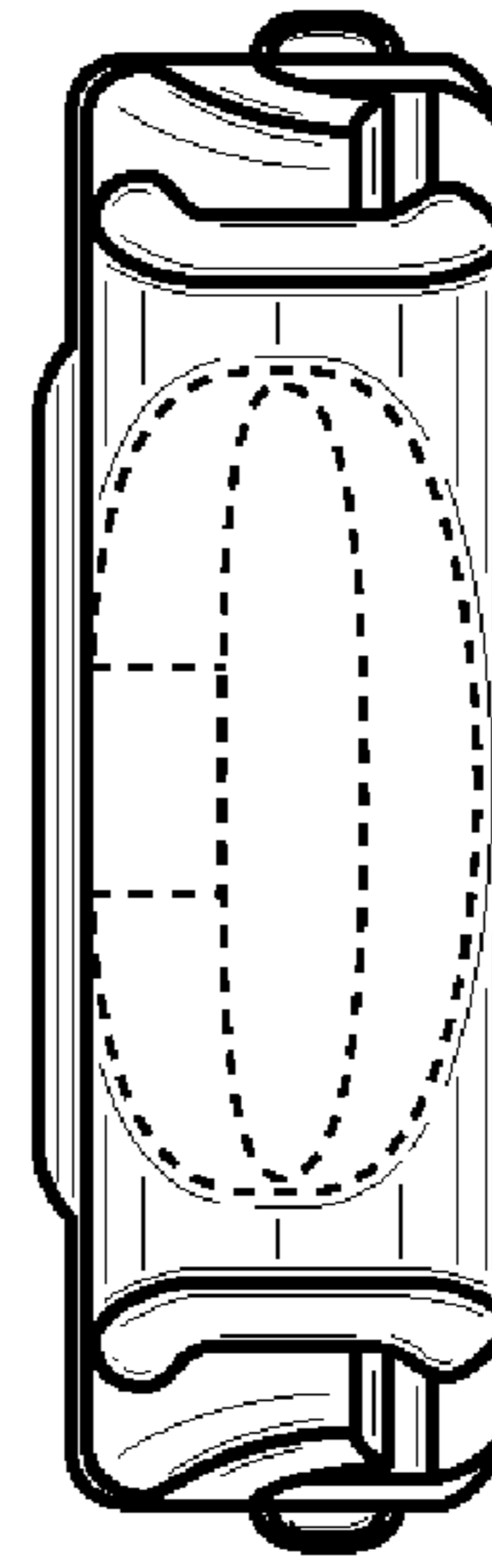


Fig. 6

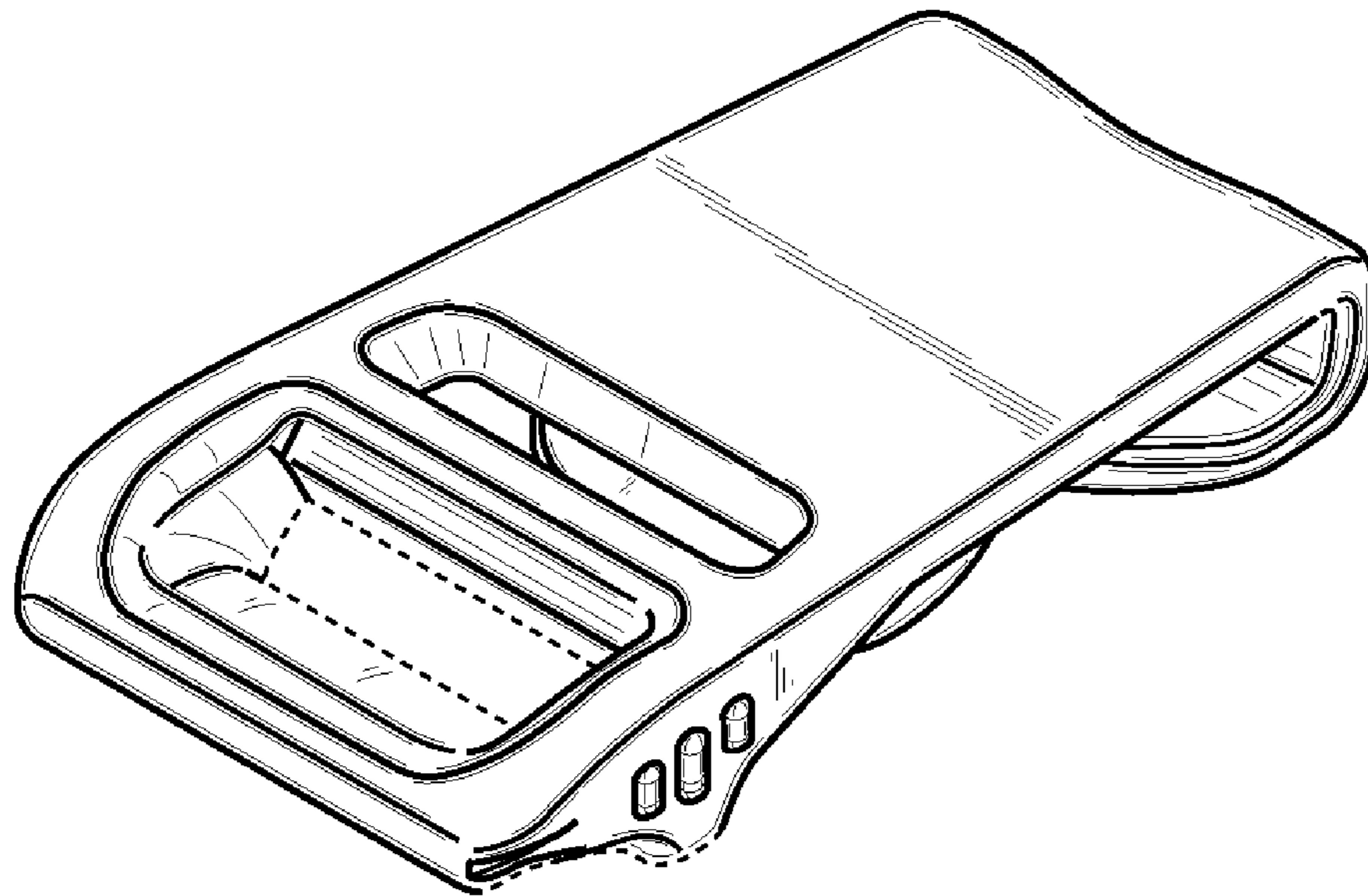


Fig. 7