



US00D630492S

(12) **United States Design Patent**
Faulkner

(10) **Patent No.:** **US D630,492 S**
(45) **Date of Patent:** **** Jan. 11, 2011**

(54) **HINGE A COVER**

(75) Inventor: **James Faulkner**, Seattle, WA (US)

(73) Assignee: **HY-Security Gate, Inc.**, Kent, WA (US)

(**) Term: **14 Years**

(21) Appl. No.: **29/363,533**

(22) Filed: **Jun. 10, 2010**

Related U.S. Application Data

(63) Continuation of application No. 29/343,828, filed on Sep. 18, 2009, now abandoned.

(51) **LOC (9) Cl.** **08-07**

(52) **U.S. Cl.** **D8/346**

(58) **Field of Classification Search** D8/330,
D8/343-346, 323, 349, 400, 499; 70/51-55,
70/77, DIG. 34, DIG. 43; 292/DIG. 11, DIG. 12;
16/250, 251, 73; 49/26, 28; 220/4.22-4.25
See application file for complete search history.

(56) **References Cited**

U.S. PATENT DOCUMENTS

3,422,486	A	1/1969	Thomas	
4,106,657	A	8/1978	Dogliotti et al.	
4,344,253	A *	8/1982	Stiles	49/383
4,474,264	A *	10/1984	Krause	182/163
5,025,531	A	6/1991	McCarty	
D349,034	S *	7/1994	Webster	D8/333
D397,026	S	8/1998	Drake	
5,954,157	A	9/1999	Grimes et al.	
D439,826	S *	4/2001	Oddy	D8/336
D446,441	S *	8/2001	Brake	D8/346

6,481,157	B1	11/2002	Haake et al.
6,631,820	B2	10/2003	Harrold et al.
6,854,162	B2	2/2005	Emerson et al.
D523,729	S	6/2006	Gorst
D589,781	S	4/2009	Lee
7,621,213	B2	11/2009	Wong
2009/0320375	A1	12/2009	Treihaft

* cited by examiner

Primary Examiner—Prabhakar Deshmukh

(74) *Attorney, Agent, or Firm*—Perkins Coie LLP

(57) **CLAIM**

The ornamental design for hinge a cover, as shown and described.

DESCRIPTION

This application is related to U.S. patent application Ser. No. 12/562,743, titled Coupling Apparatus for Barrier Assemblies and Related Methods and filed Sep. 18, 2009.

FIG. 1 is an isometric view of a hinge cover showing my new design.

FIG. 2 is a top plan view of the hinge cover.

FIG. 3 is a bottom plan view of the hinge cover.

FIG. 4 is a front elevation view of the hinge cover.

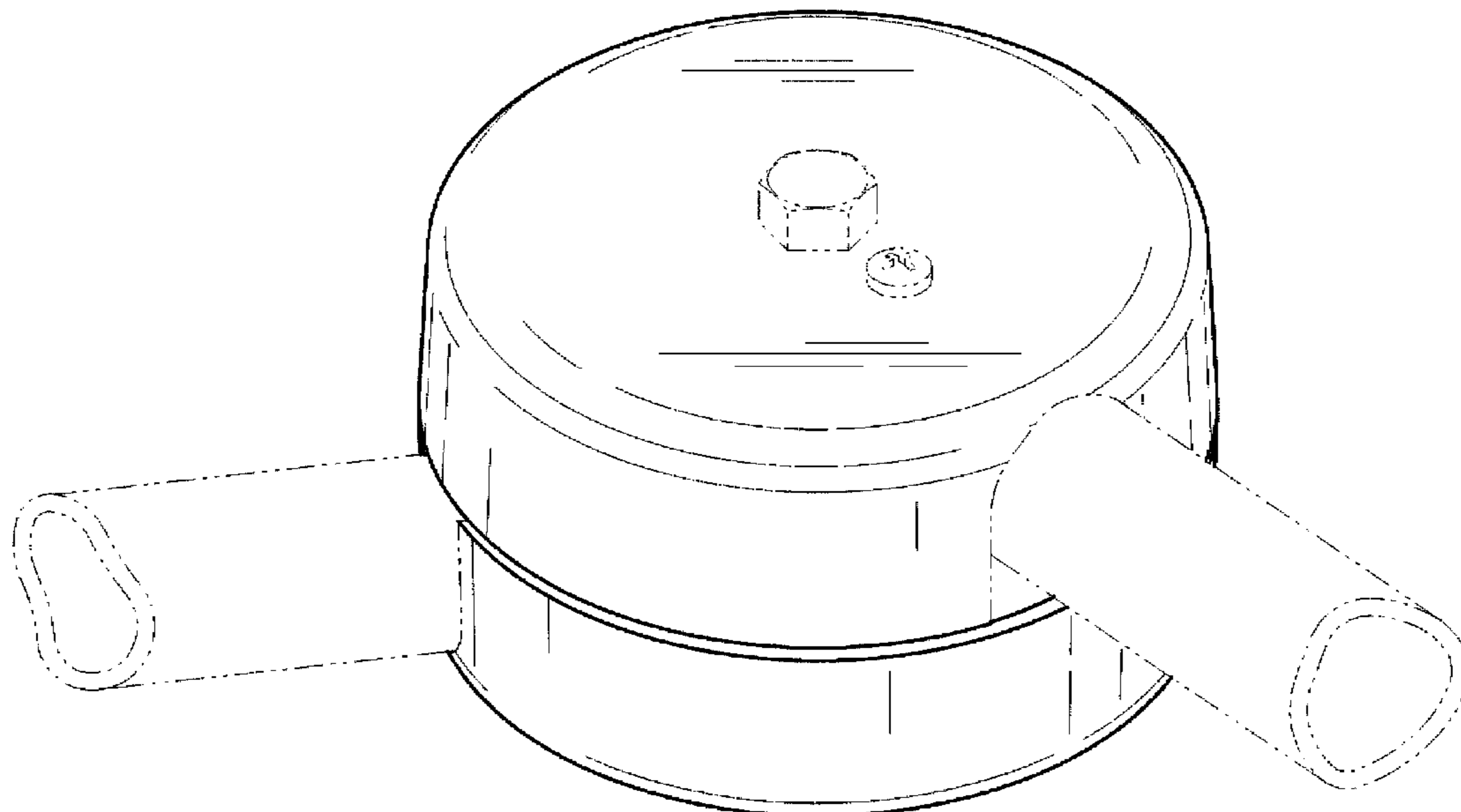
FIG. 5 is a back elevation view of the hinge cover.

FIG. 6 is a right side elevation view of the hinge cover; and,

FIG. 7 is a left side elevation view of the hinge cover.

The broken lines are for illustrative purposes only and form no part of the claimed design.

1 Claim, 4 Drawing Sheets



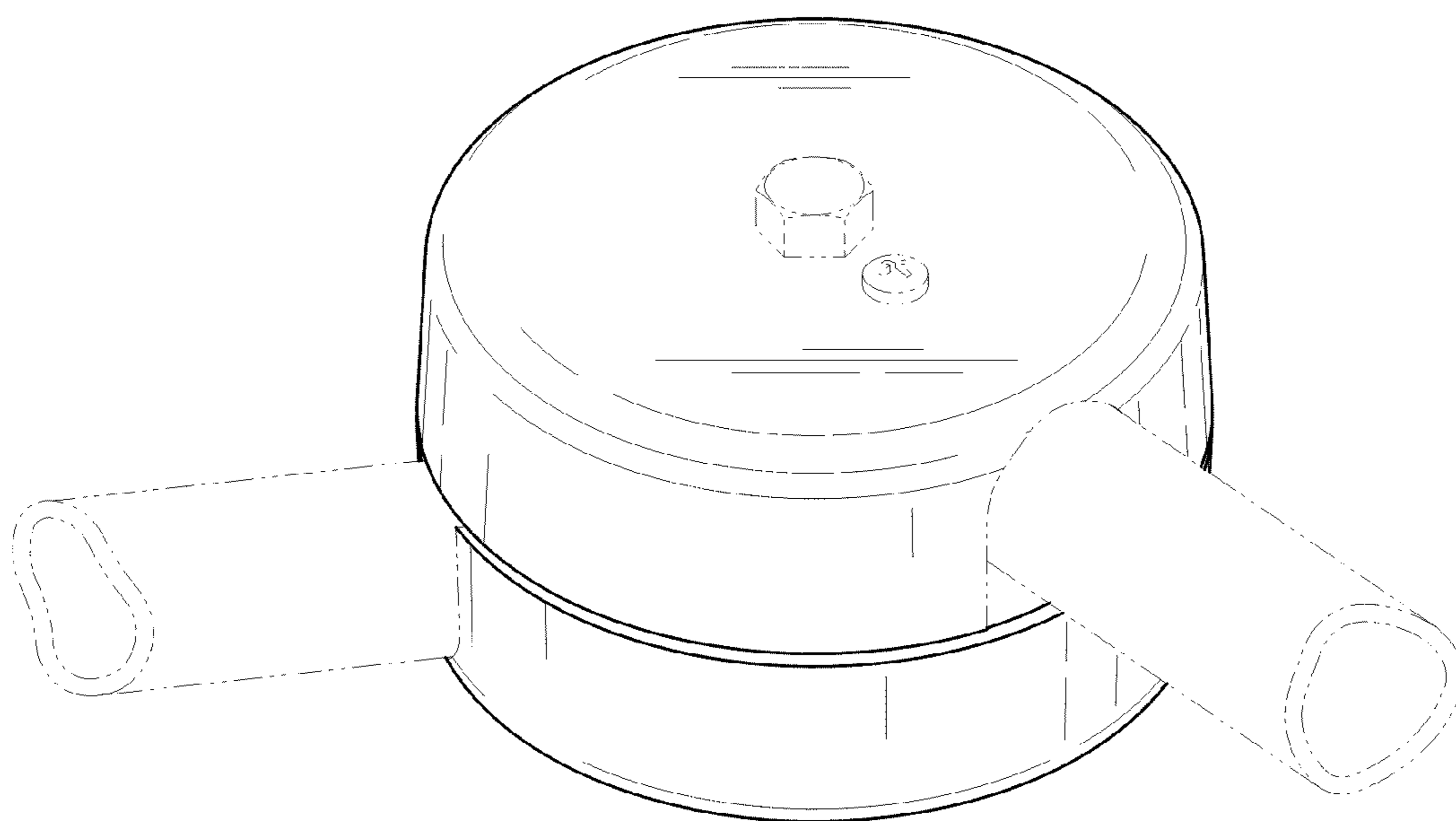


Fig. 1

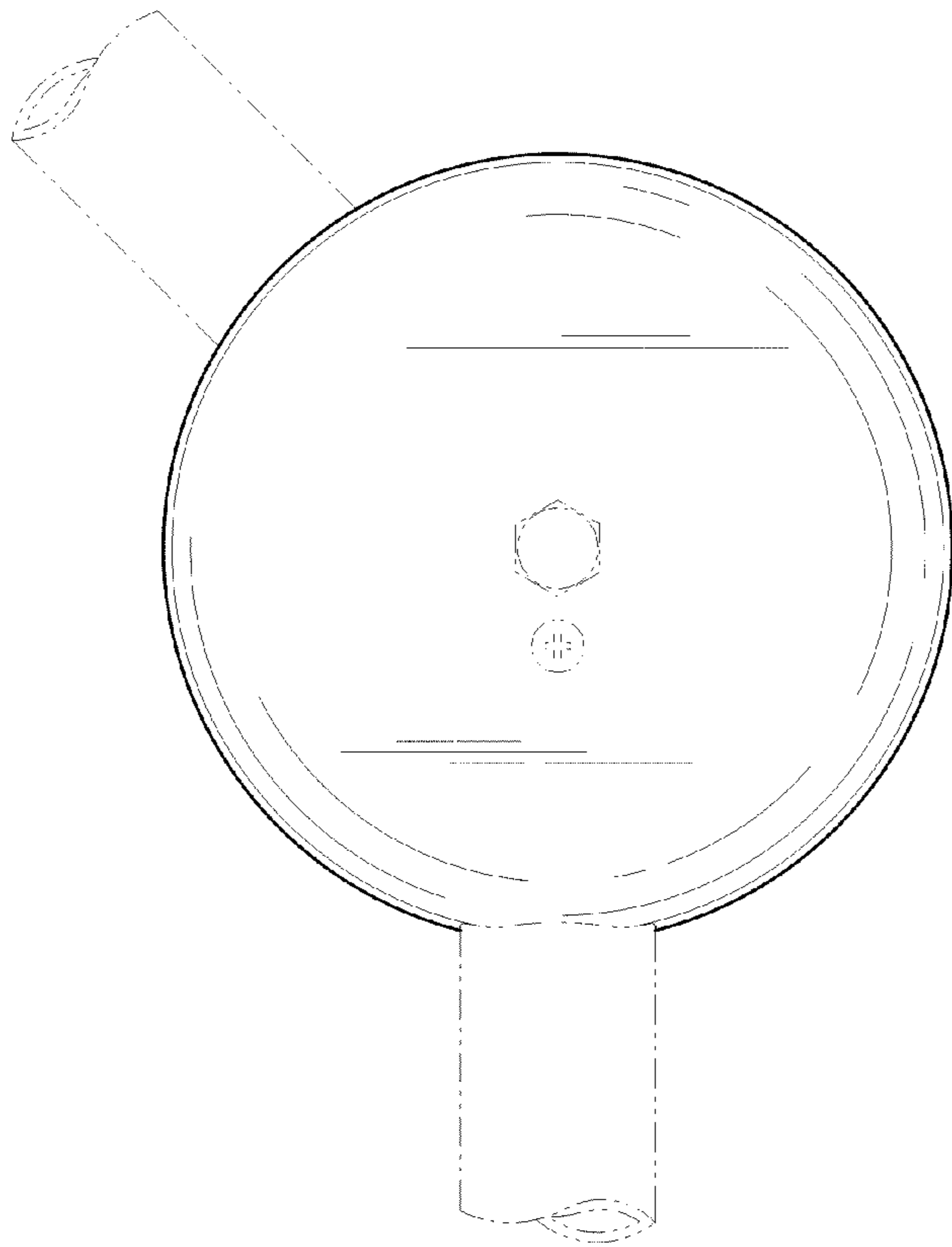


Fig. 2

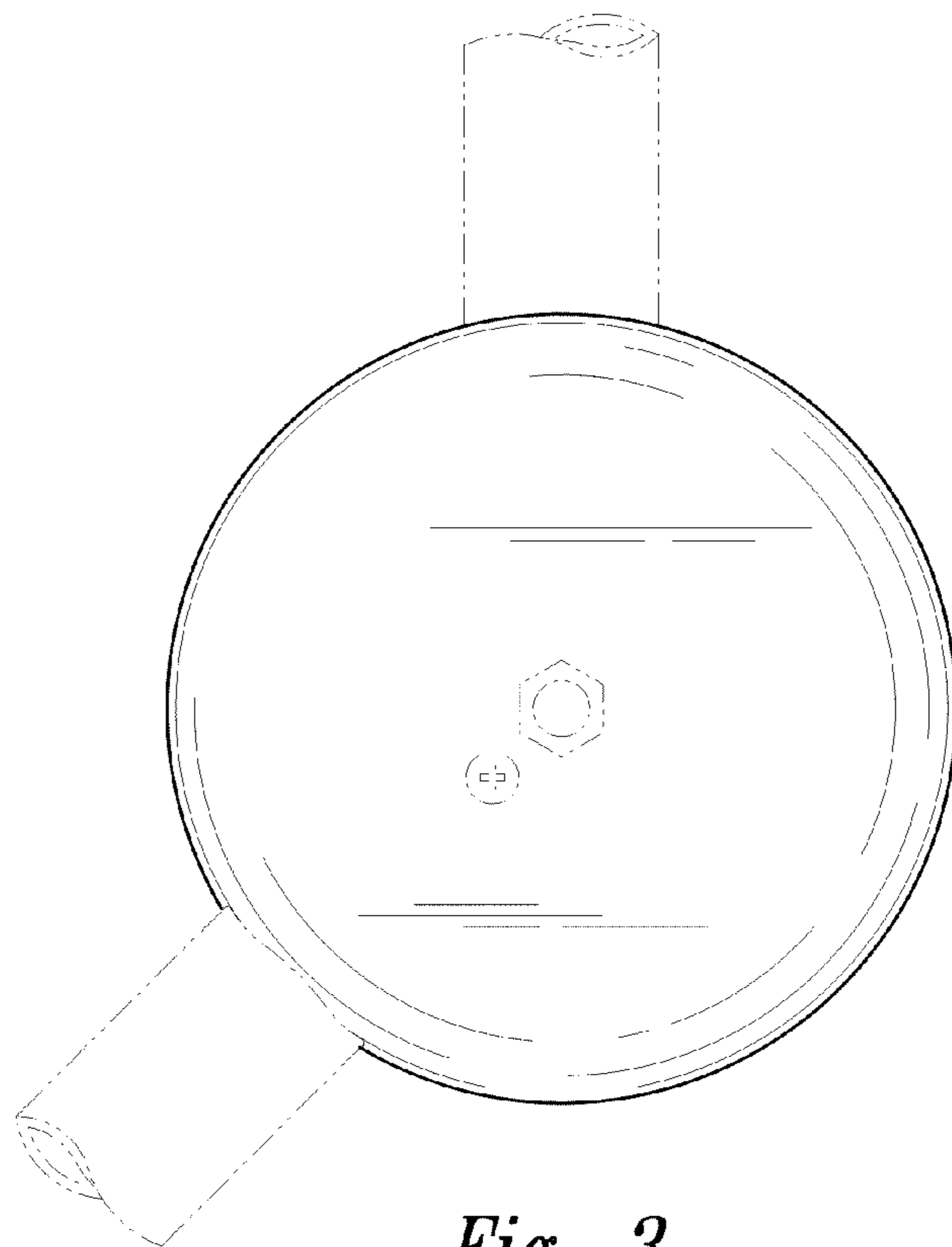


Fig. 3

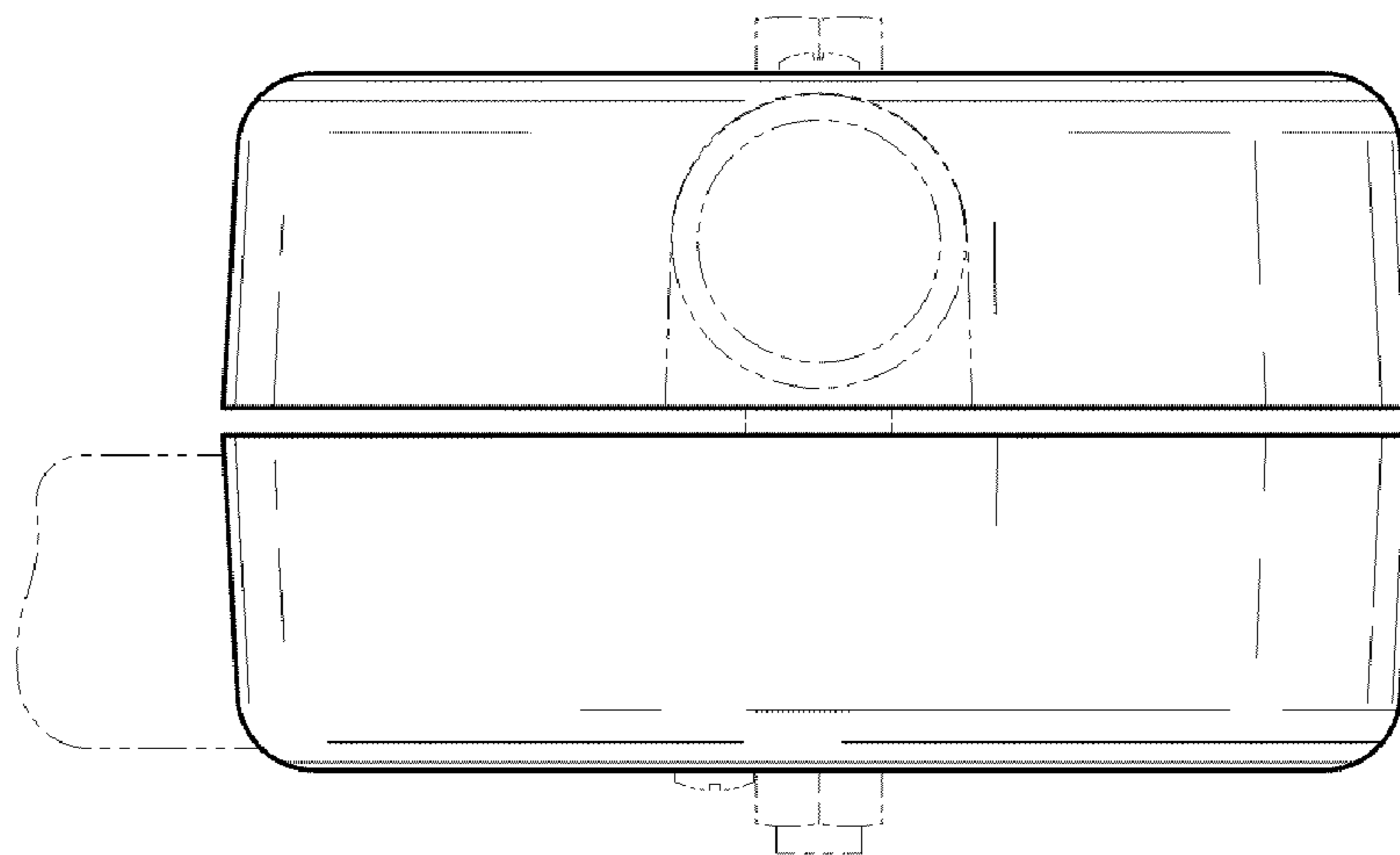


Fig. 4

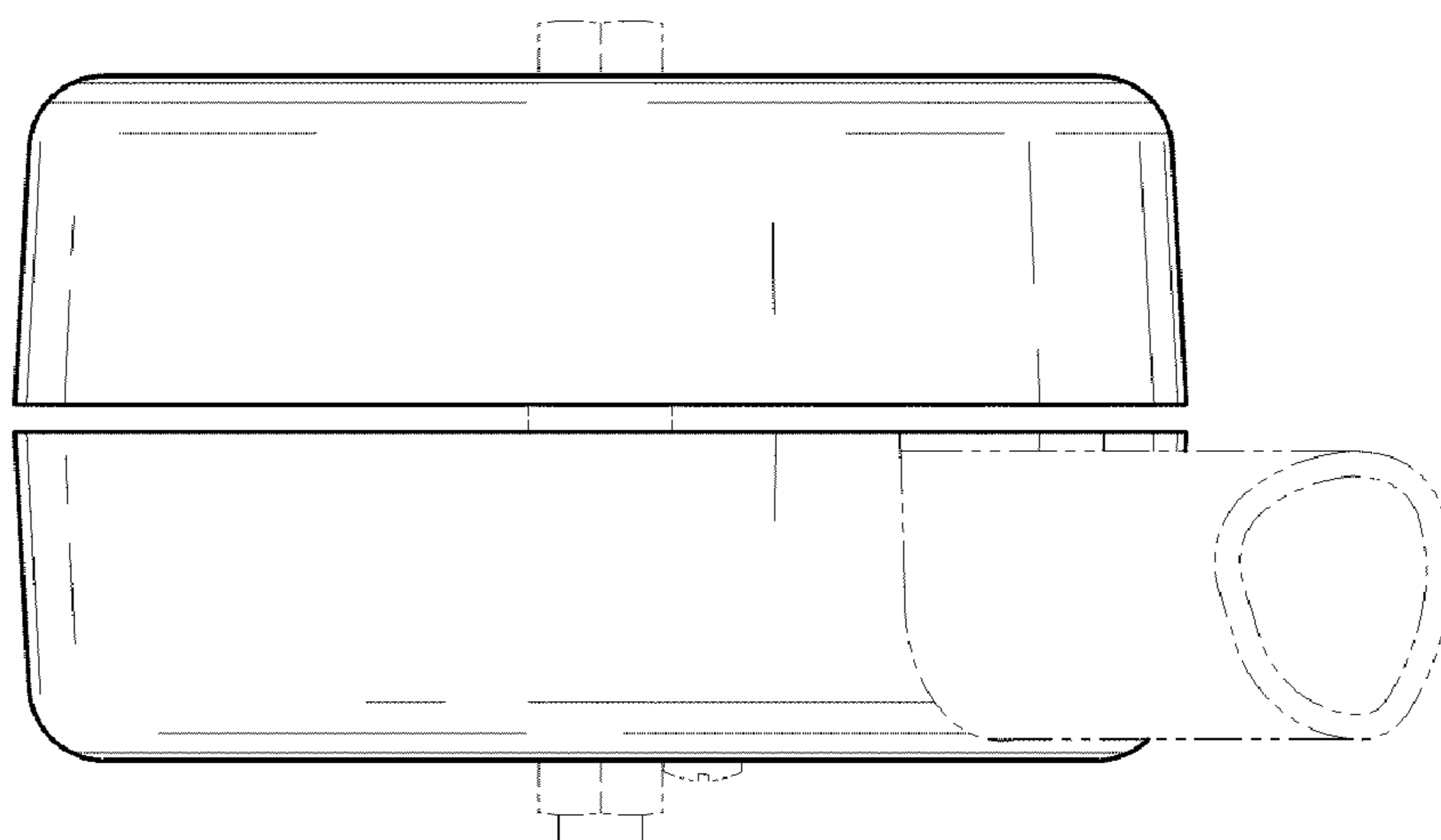


Fig. 5

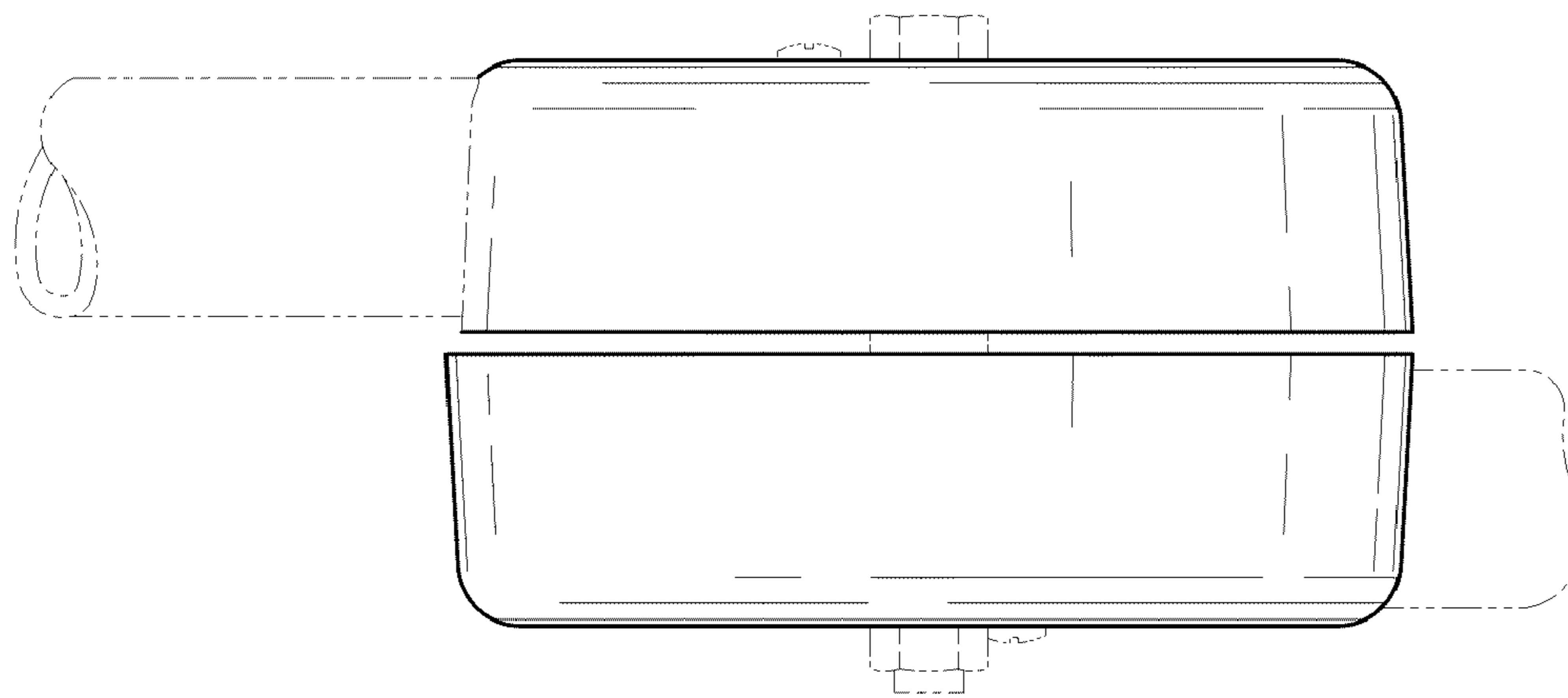


Fig. 6

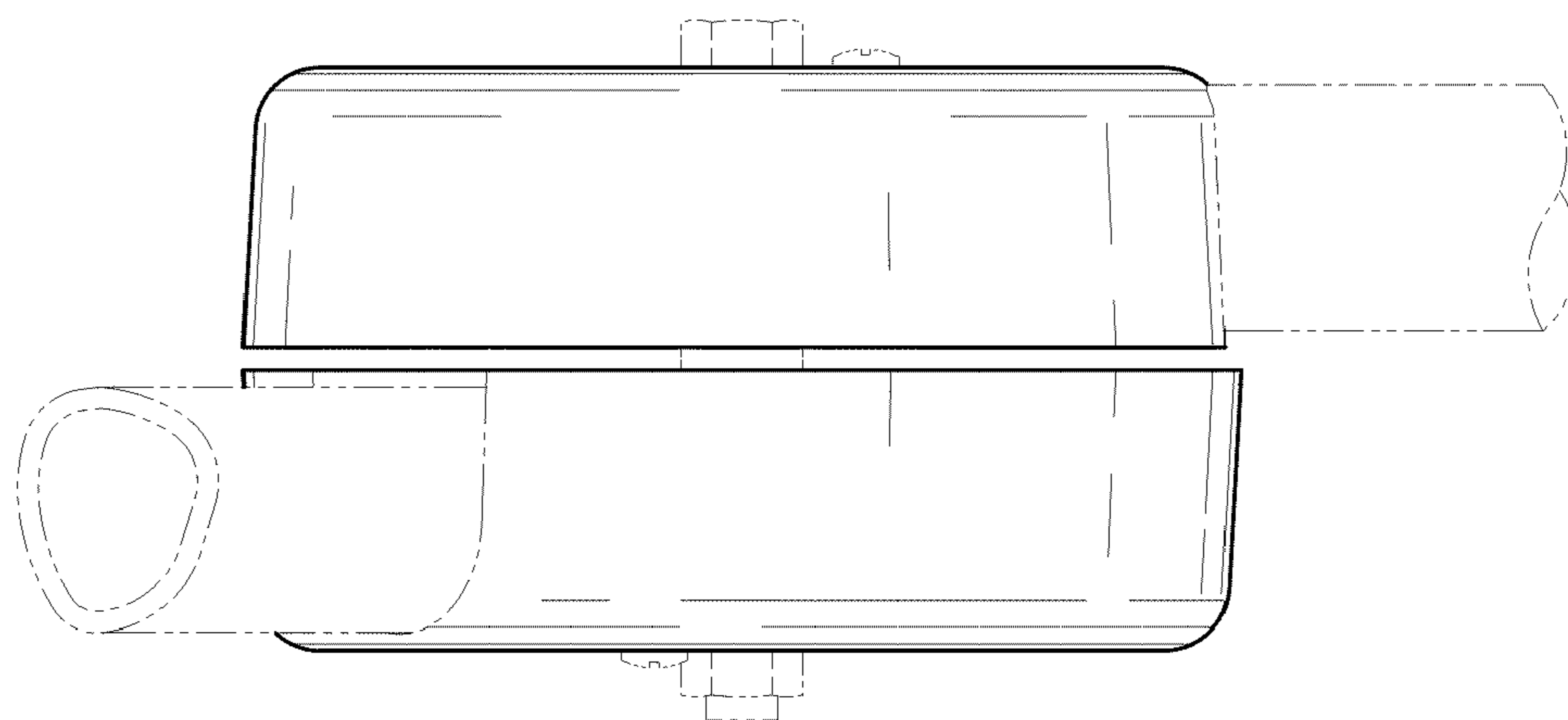


Fig. 7

UNITED STATES PATENT AND TRADEMARK OFFICE
CERTIFICATE OF CORRECTION

PATENT NO. : D630,492 S
APPLICATION NO. : 29/363533
DATED : January 11, 2011
INVENTOR(S) : James Faulkner

Page 1 of 1

It is certified that error appears in the above-identified patent and that said Letters Patent is hereby corrected as shown below:

On the Title Page Item (54):

The title –

HINGE A COVER

—should read—

HINGE COVER

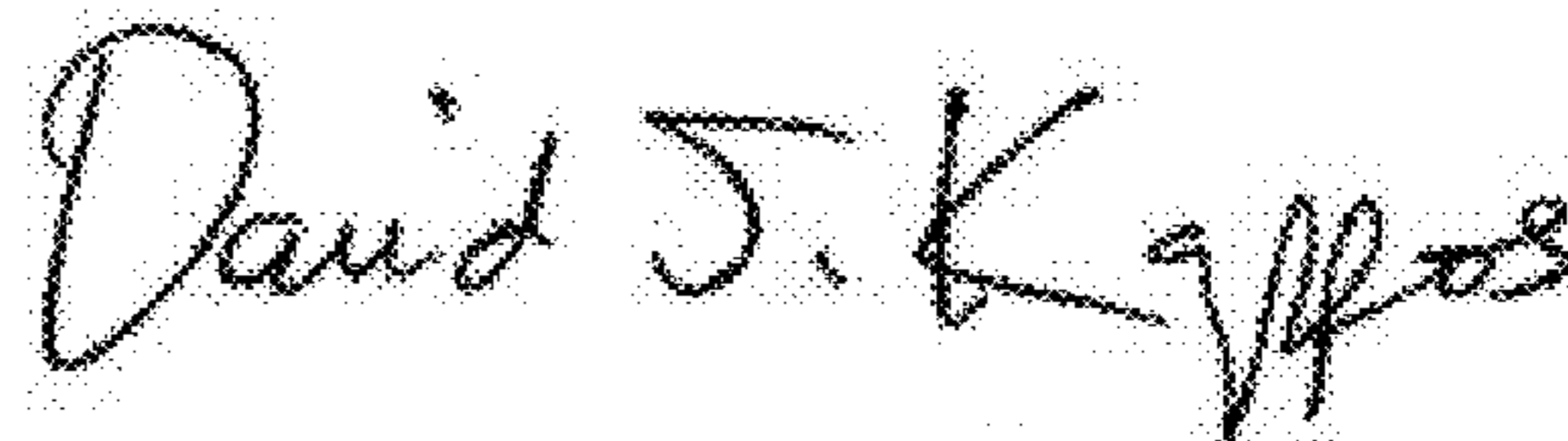
The claim –

The ornamental design for hinge a cover, as shown and described.

—should read—

The ornamental design for a hinge cover, as shown and described.

Signed and Sealed this
Twenty-second Day of March, 2011



David J. Kappos
Director of the United States Patent and Trademark Office