



US00D630490S

(12) **United States Design Patent**
Lundstrom

(10) **Patent No.:** **US D630,490 S**
(45) **Date of Patent:** **** Jan. 11, 2011**

(54) **HANDLE**

(75) Inventor: **Johan Lundstrom**, Gothenburg (SE)

(73) Assignee: **ASSA OEM AB**, Eskilstuna (SE)

(**) Term: **14 Years**

(21) Appl. No.: **29/356,952**

(22) Filed: **Mar. 4, 2010**

(30) **Foreign Application Priority Data**

Sep. 7, 2009 (EM) 001162762

(51) **LOC (9) Cl.** **08-07**

(52) **U.S. Cl.** **D8/331; D8/300**

(58) **Field of Classification Search** D8/330-332,
D8/339, 343, 346.334, 300-302; 70/57.1,
70/58, 107, 141, 210, 217, 218, 221-224,
70/277-283.1, 472; 292/336.3

See application file for complete search history.

(56) **References Cited**

U.S. PATENT DOCUMENTS

4,972,691 A * 11/1990 Knight 70/89
D351,982 S * 11/1994 Chen D8/330
5,658,026 A * 8/1997 Nigro et al. 292/336.3
6,145,353 A * 11/2000 Doucet 70/277

6,733,050 B1 * 5/2004 Yao 292/169
D533,762 S * 12/2006 Wright et al. D8/330
D545,666 S * 7/2007 Manton D8/331
D563,766 S * 3/2008 Trimble D8/331
D569,222 S * 5/2008 Lee D8/337
D578,374 S * 10/2008 Kim D8/331
D579,316 S * 10/2008 Lee D8/331
D607,302 S * 1/2010 Kim et al. D8/331

* cited by examiner

Primary Examiner—Prabhakar Deshmukh

(74) *Attorney, Agent, or Firm*—Holland & Hart LLP

(57) **CLAIM**

The ornamental design for a handle, as shown and described.

DESCRIPTION

FIG. 1 is a top perspective view of a handle showing my new design,

FIG. 2 is a bottom perspective view of the handle,

FIG. 3 is a bottom plan view thereof,

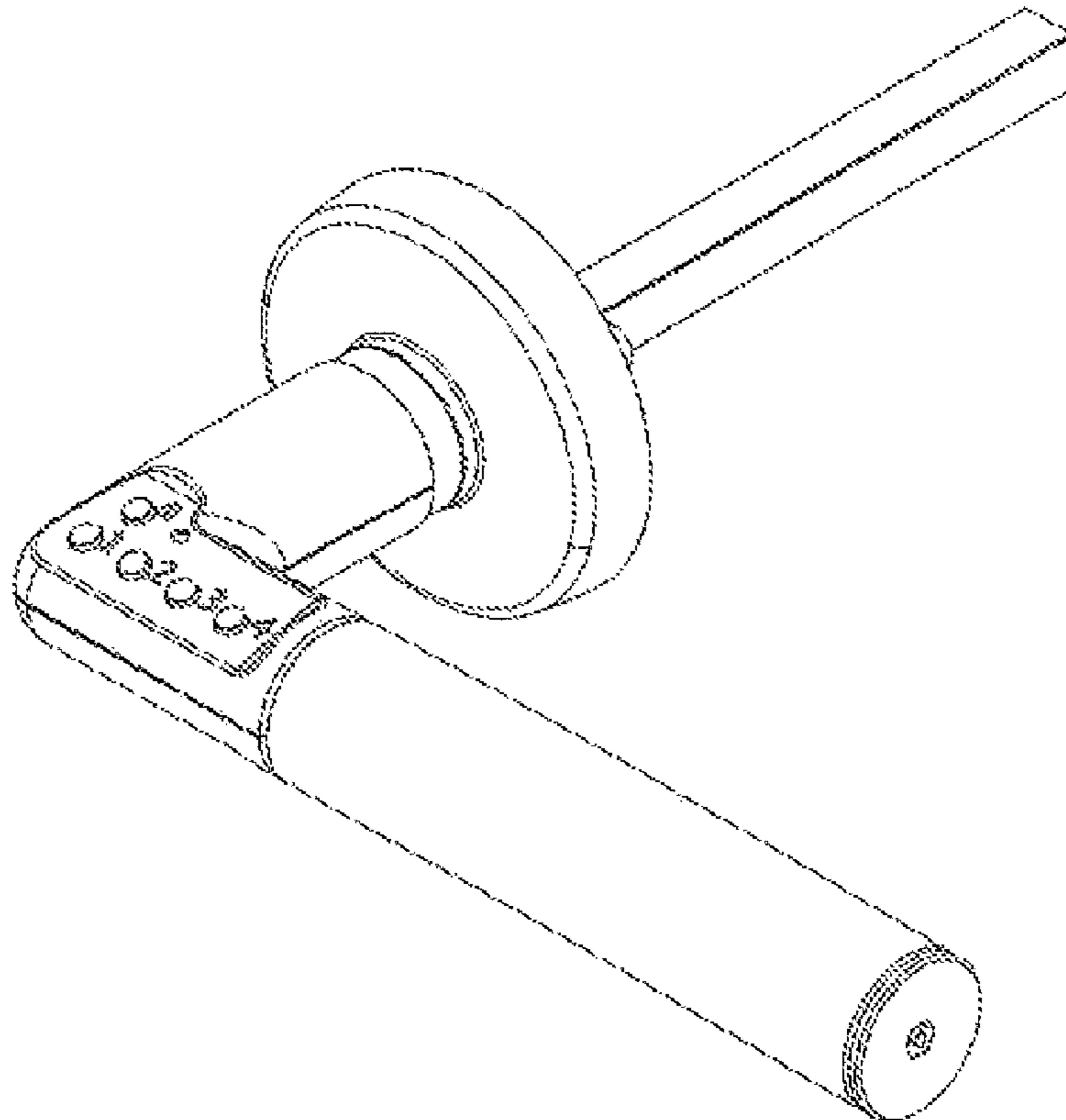
FIG. 4 is a right side elevation view thereof,

FIG. 5 is a front elevation view thereof,

FIG. 6 is a left side elevation view thereof; and,

FIG. 7 is a top plan view thereof.

1 Claim, 3 Drawing Sheets



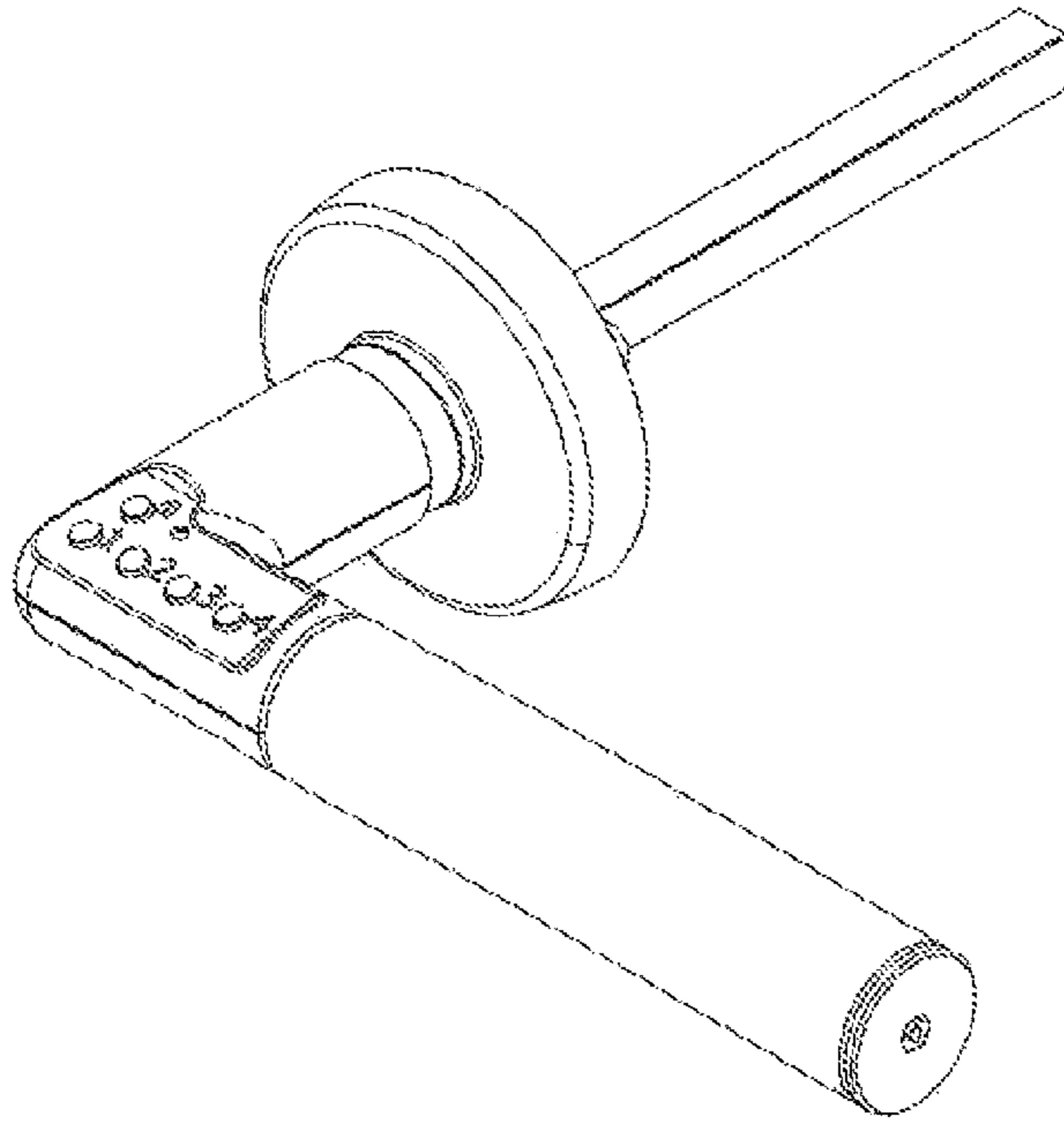


Figure 1

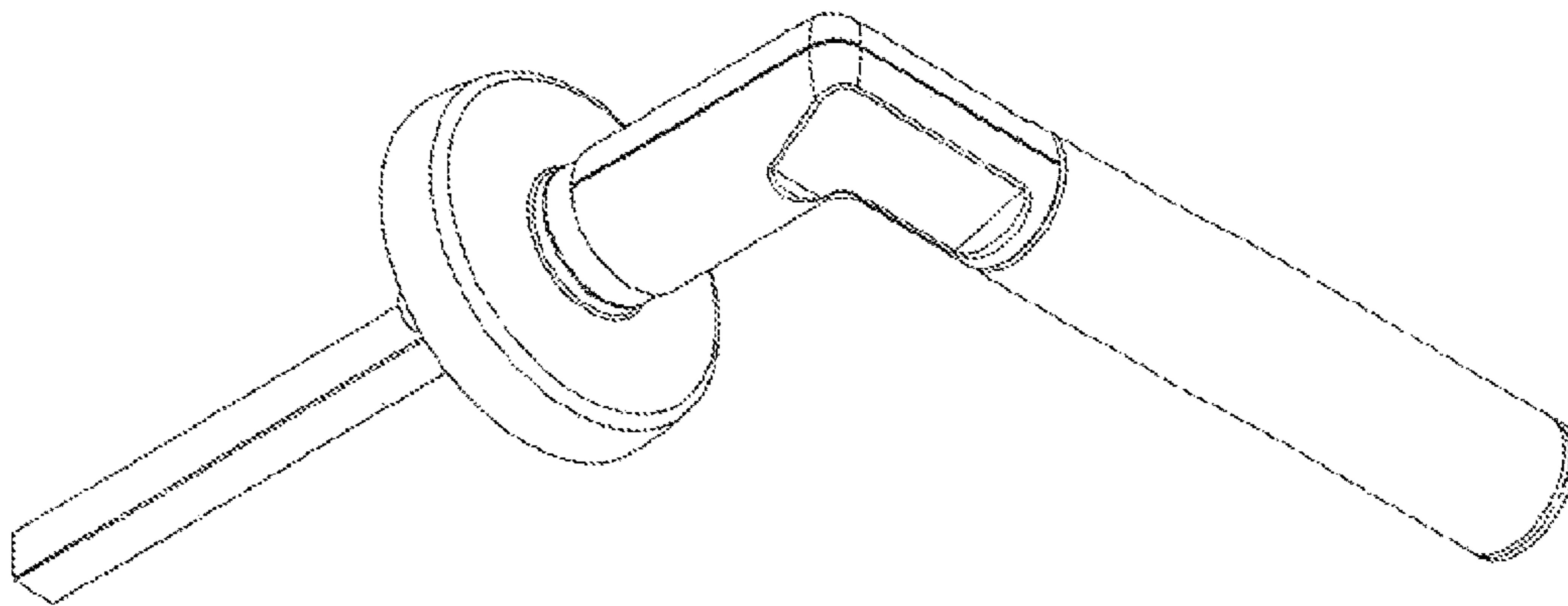


Figure 2

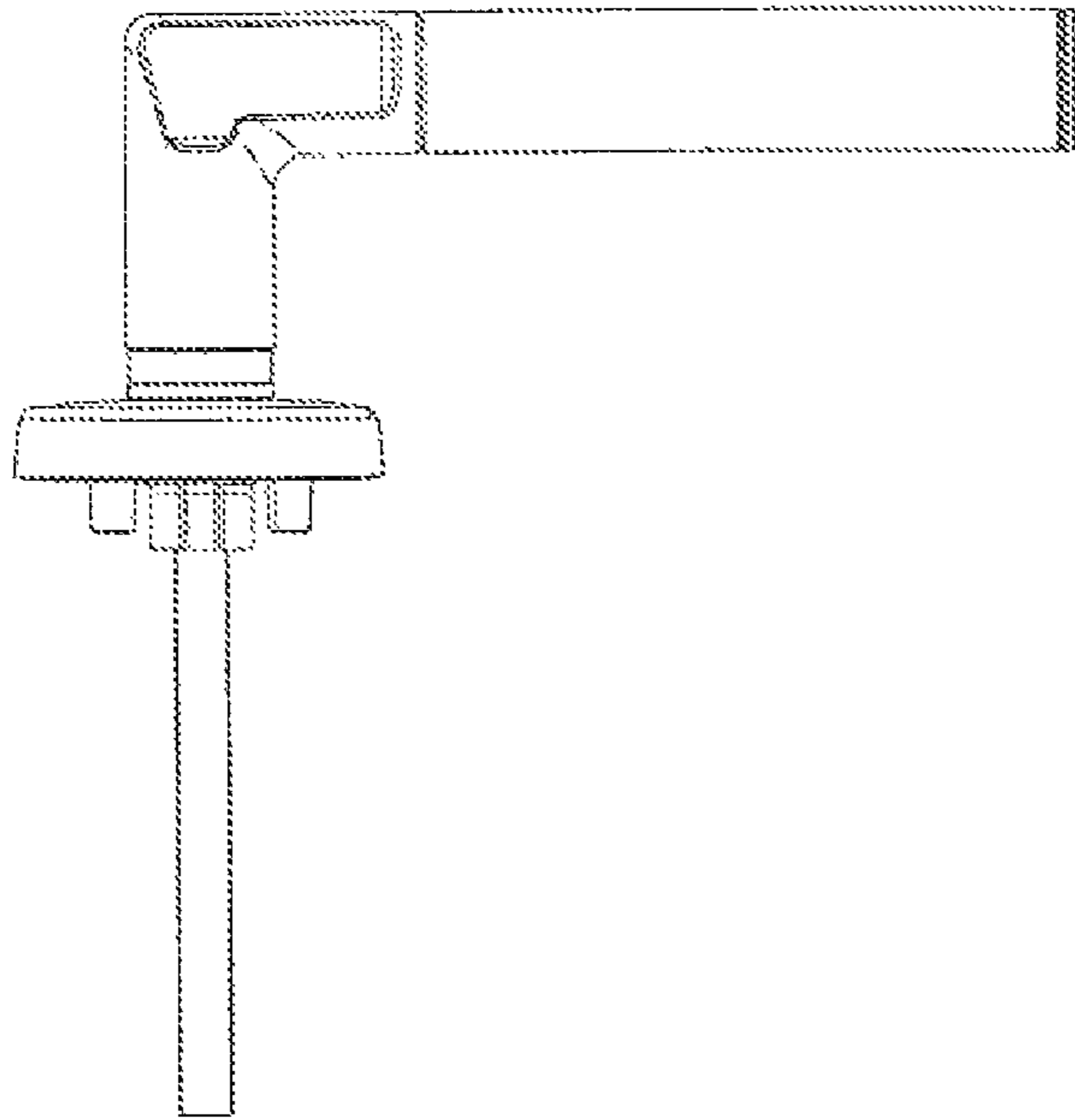


Figure 3

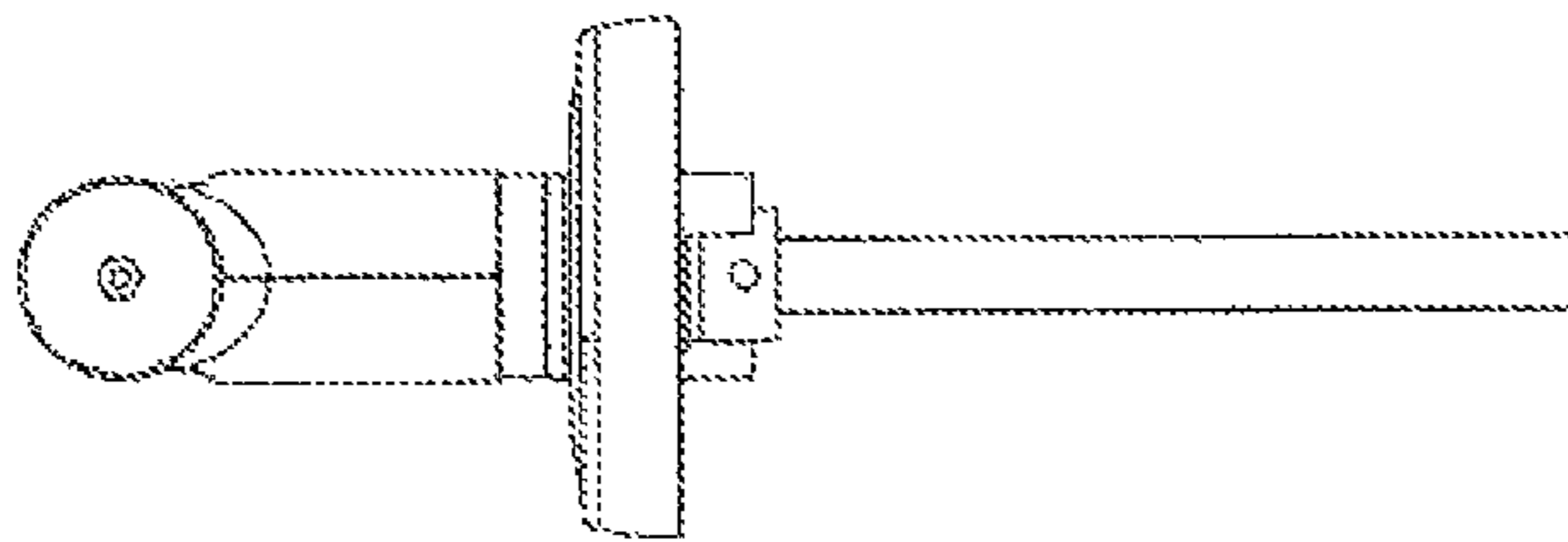


Figure 4

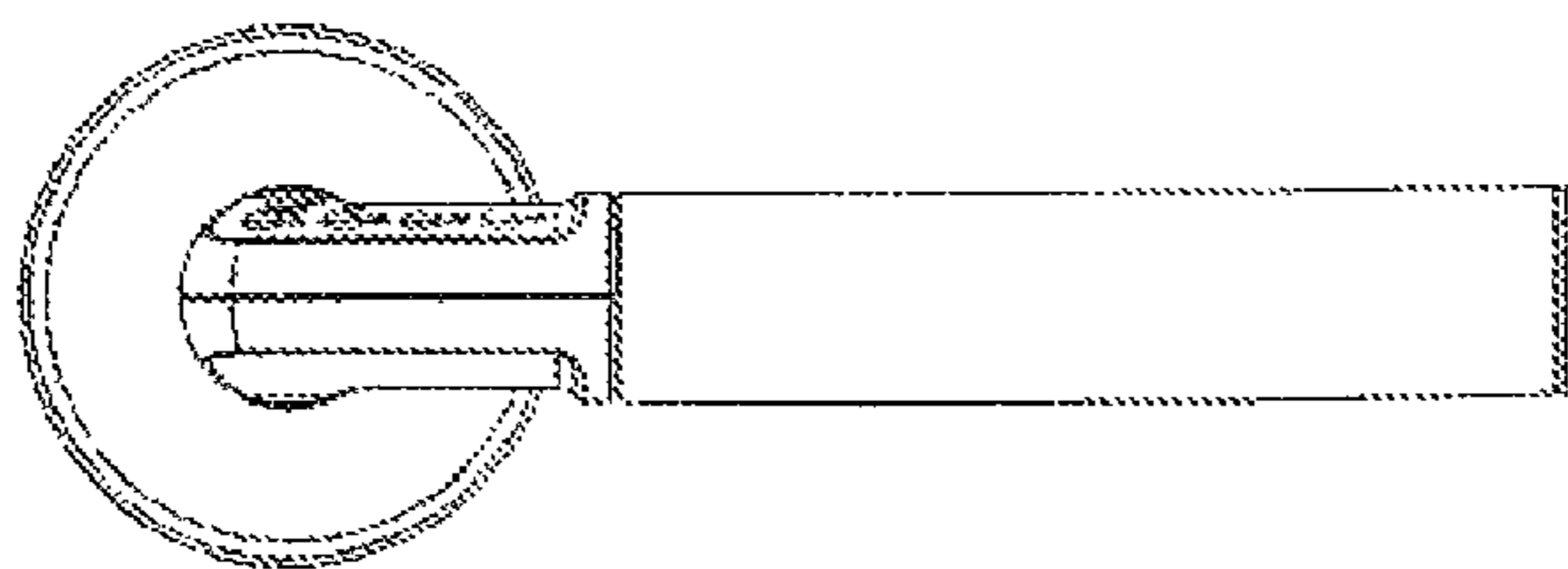


Figure 5

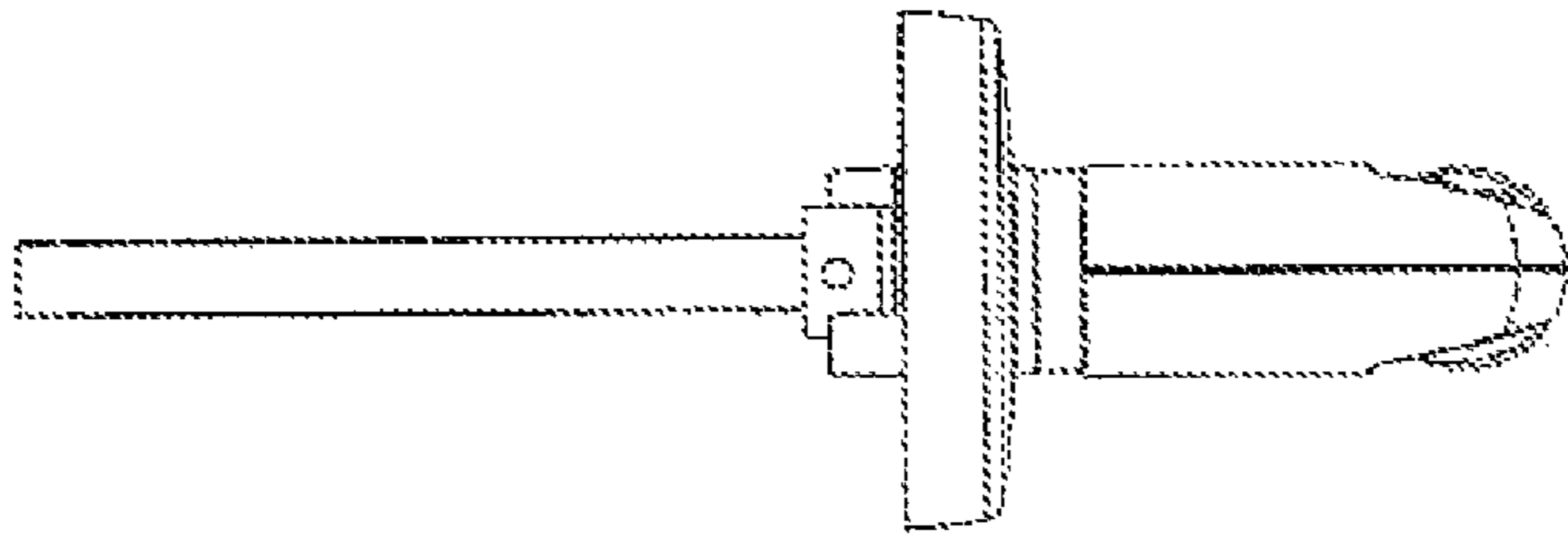


Figure 6

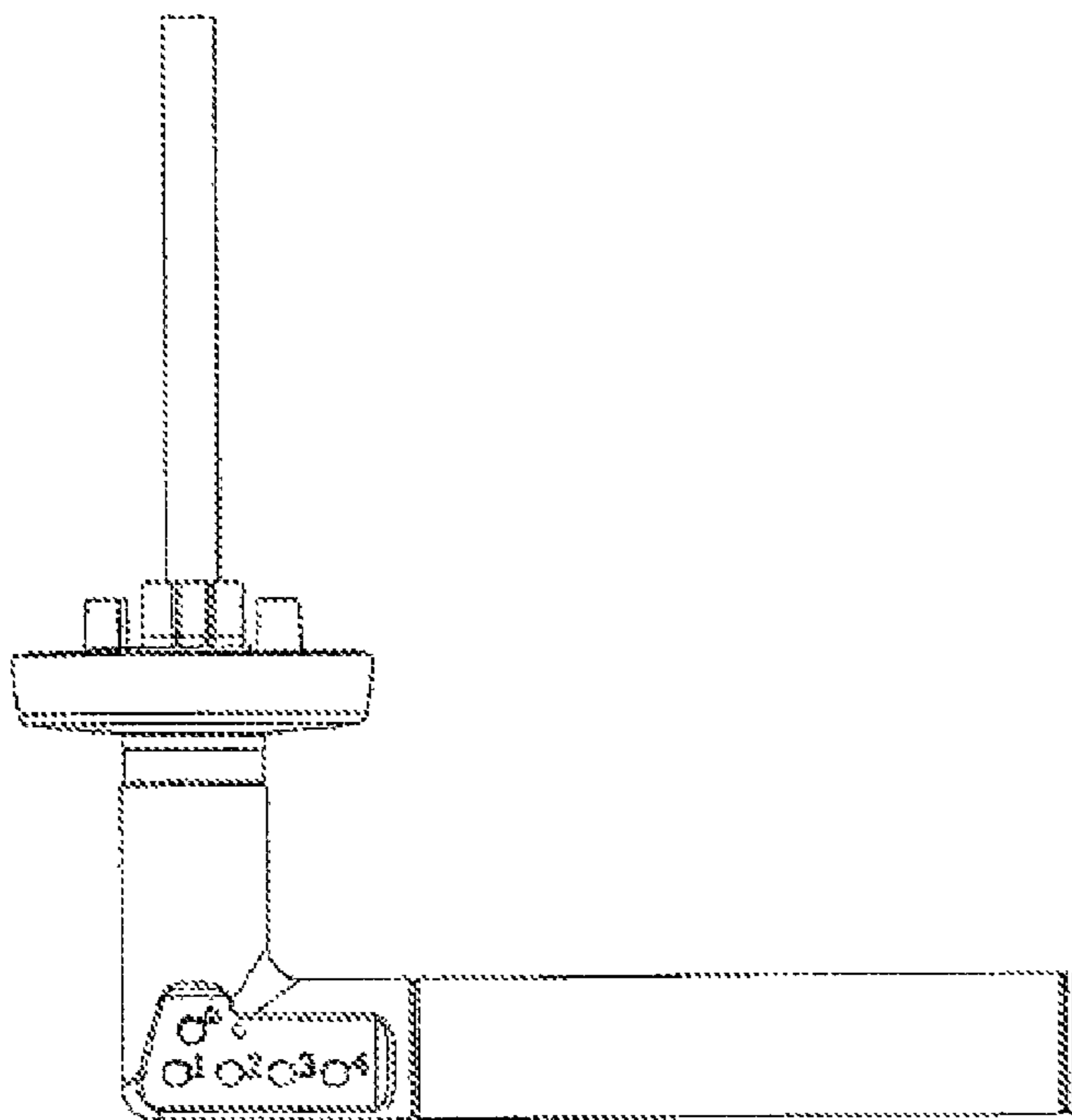


Figure 7